

[54] NEON SWAG LAMP

[76] Inventors: James T. Snyder; Beverly A. Snyder, both of 1890 Phalen Pl., Maple Wood, Minn. 55109

[**] Term: 14 Years

[21] Appl. No.: 771,113

[22] Filed: Aug. 30, 1985

[52] U.S. Cl. D26/78; D26/73

[58] Field of Search D26/72, 73, 74, 80-92; 362/404, 405, 406, 407, 408, 362, 363, 806, 807, 216, 217

1,876,667	9/1932	Gunnison	D26/86
2,052,433	8/1936	Wiedenhoft	362/216
2,087,750	7/1937	Bookman	D26/86
2,435,715	2/1948	Headings	362/216
2,480,301	8/1949	Moretz	D26/79
3,872,297	3/1975	Rohlof	D26/86

Primary Examiner—Susan J. Lucas
Attorney, Agent, or Firm—W. C. Tupman

[57] CLAIM

The ornamental design for a neon swag lamp, substantially as shown and described.

DESCRIPTION

FIG. 1 is a front isometric view of a neon swag lamp showing our new design;

FIG. 2 is a top plan view thereof on a reduced scale;

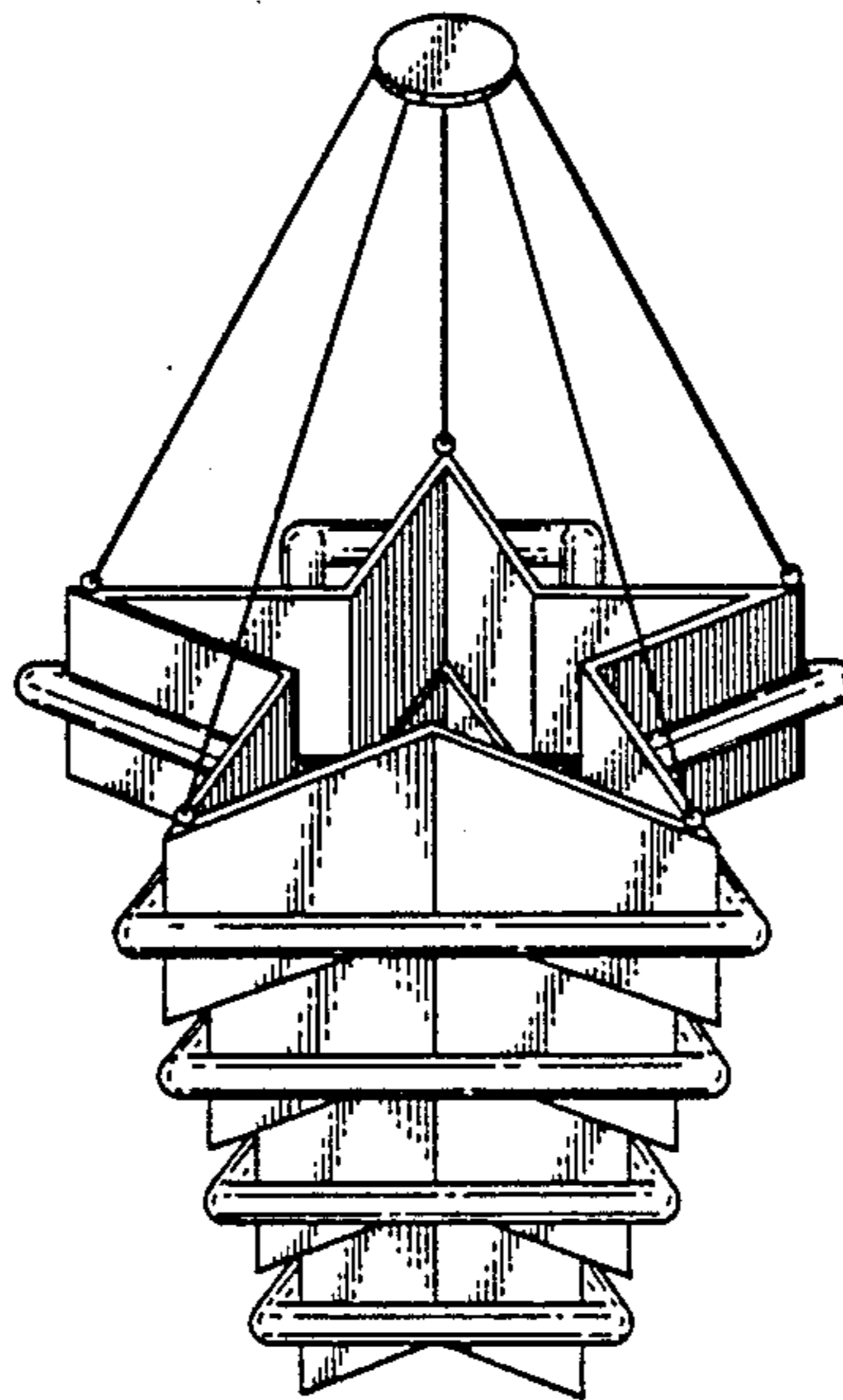
FIG. 3 is a rear elevational view thereof on a greatly reduced scale; and

FIG. 4 is a side elevational view thereof on a greatly reduced scale, the opposite side being a mirror image.

[56] References Cited

U.S. PATENT DOCUMENTS

D. 73,889	11/1927	Beardsley	D26/136 X
D. 77,765	2/1929	Guth	D26/81
D. 161,340	12/1950	Hurley	D26/121
D. 266,792	11/1982	Windolph	D26/84



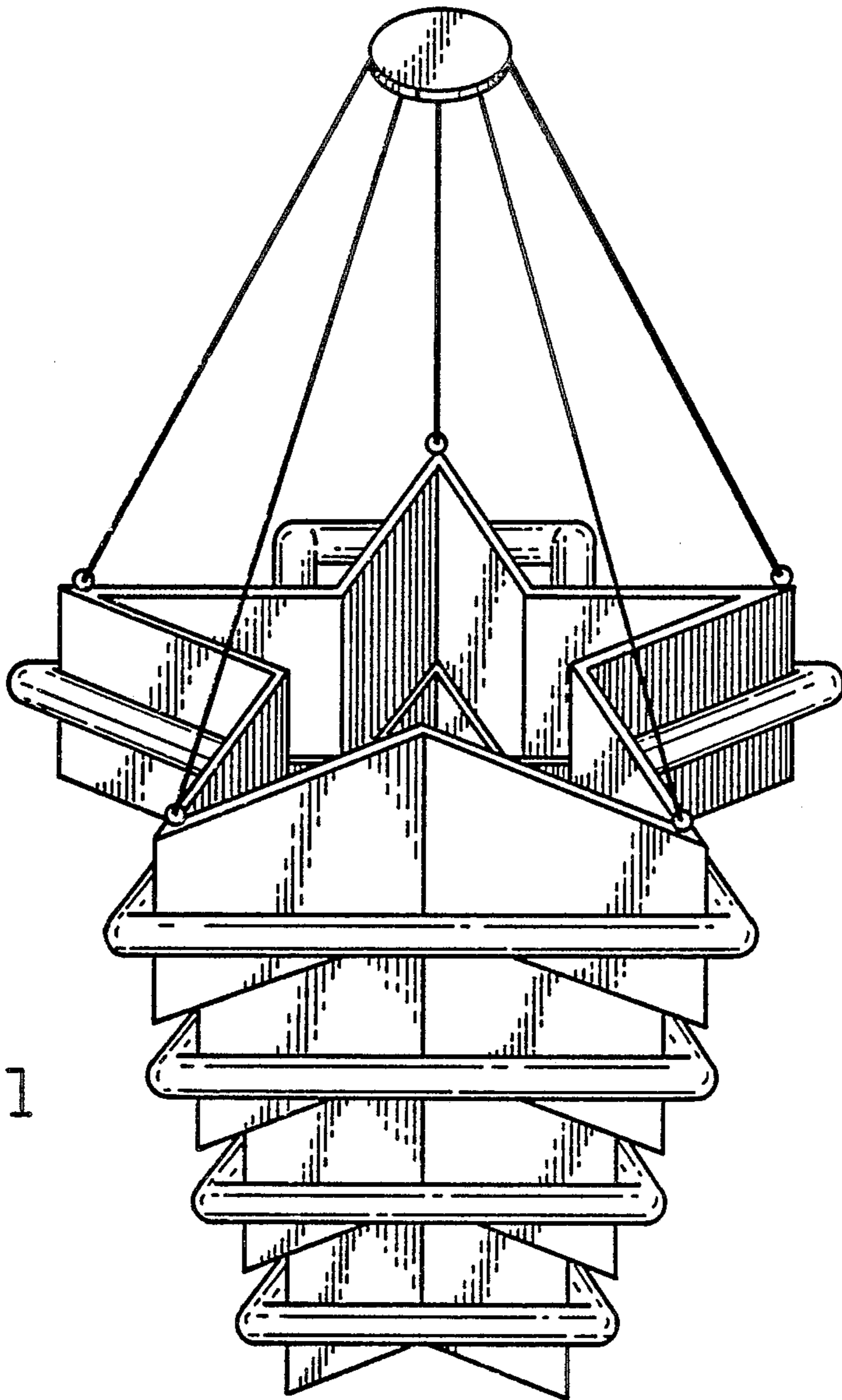


Fig. 1

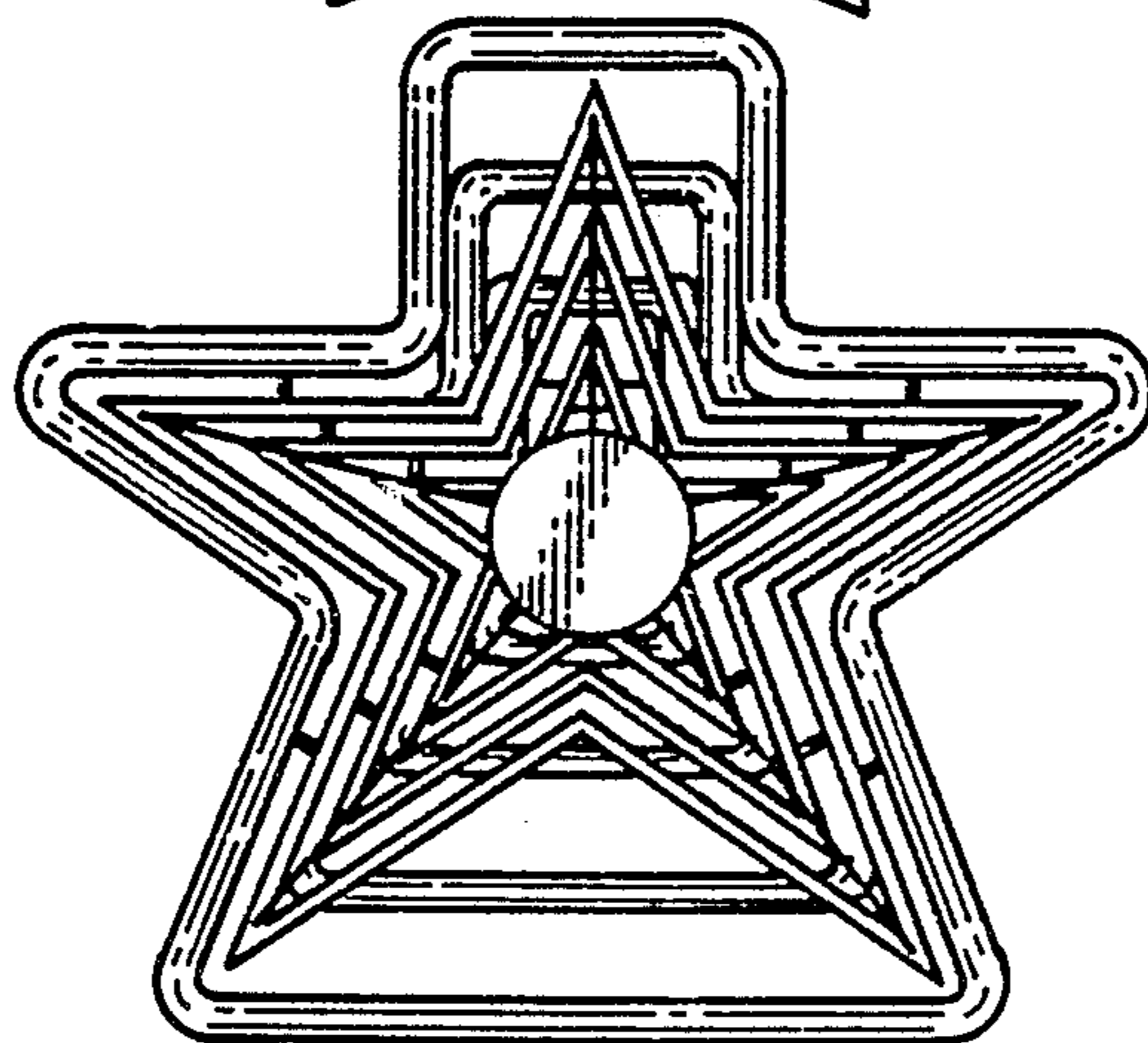


Fig. 2

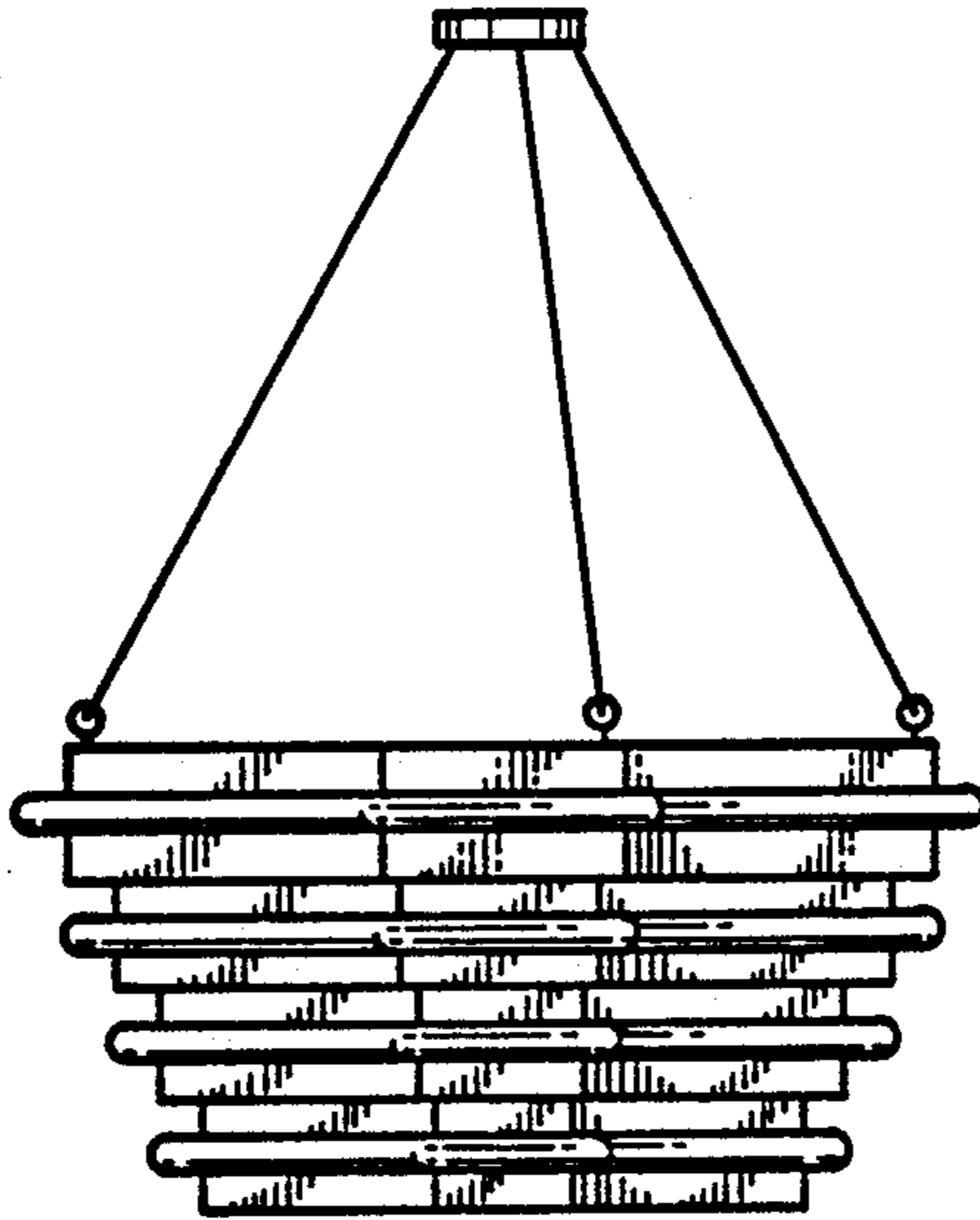


Fig. 3

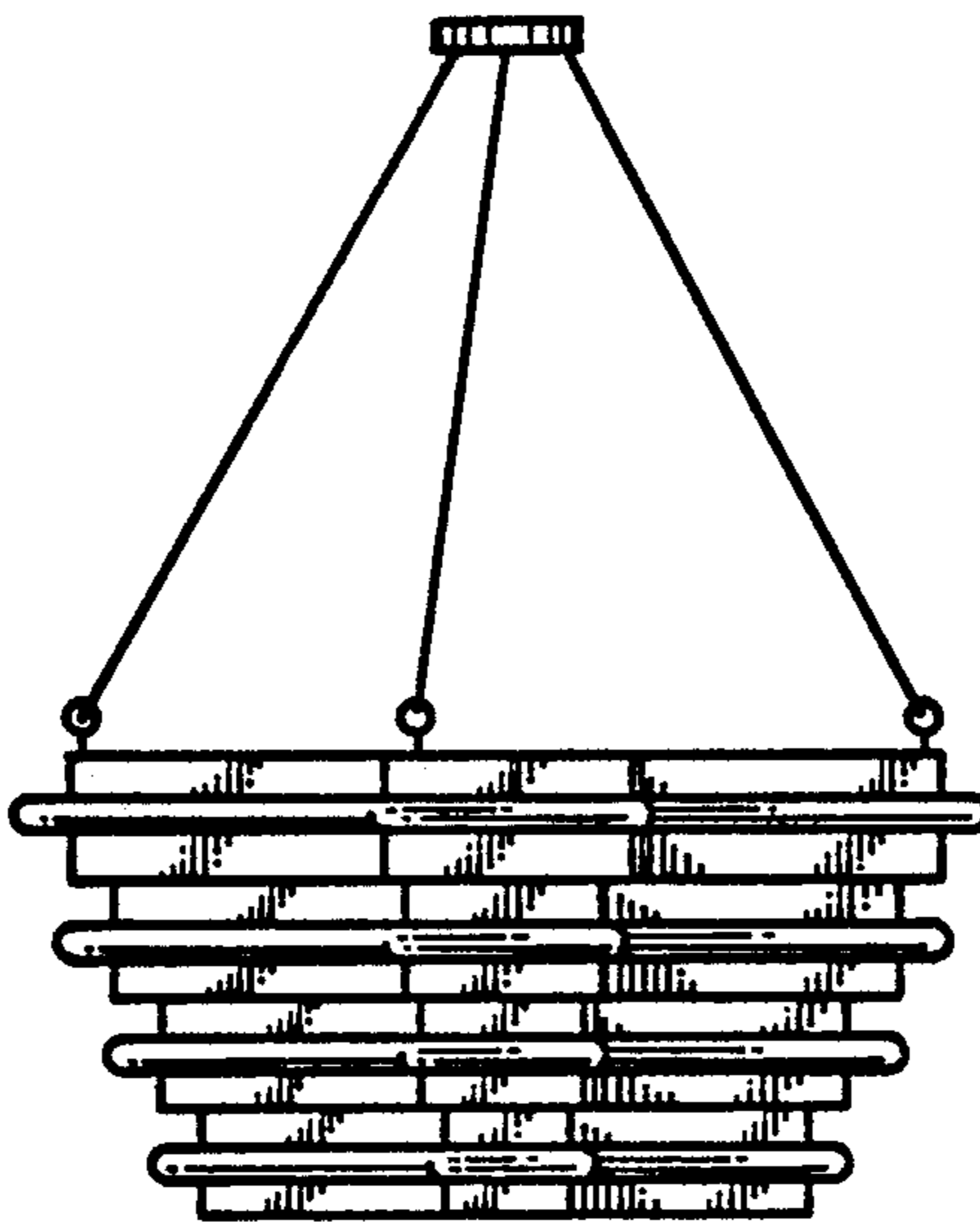


Fig. 4