

[54] COMBINATION SIDE LIGHT FOR BOATS

[76] Inventor: Warrick M. Whitley, II, Lynn Haven, Fla.

[**] Term: 14 Years

[21] Appl. No.: 794,419

[22] Filed: Nov. 4, 1985

[52] U.S. Cl. D26/28

[58] Field of Search D26/28-36; 362/61, 80, 82, 83; 340/72, 81 R, 84, 87

[56] References Cited

U.S. PATENT DOCUMENTS

D. 219,477	12/1970	Stewart	D26/35
D. 231,121	4/1974	Brudy et al.	D26/35
D. 290,049	5/1987	Schmidt	D26/28
3,431,408	3/1969	Roosevelt	362/61

OTHER PUBLICATIONS

1983/84 Attwood Product catalog, p. 16.

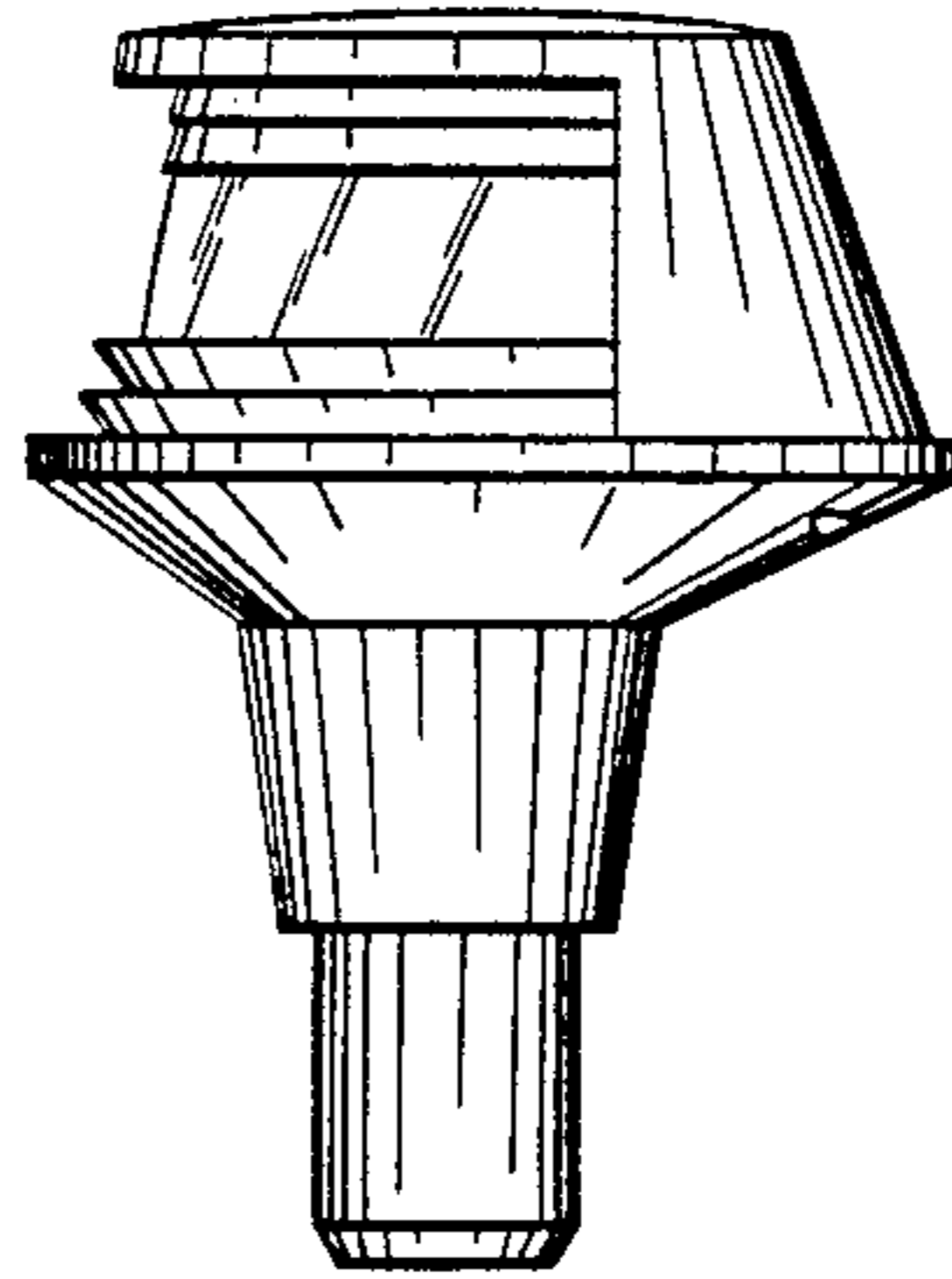
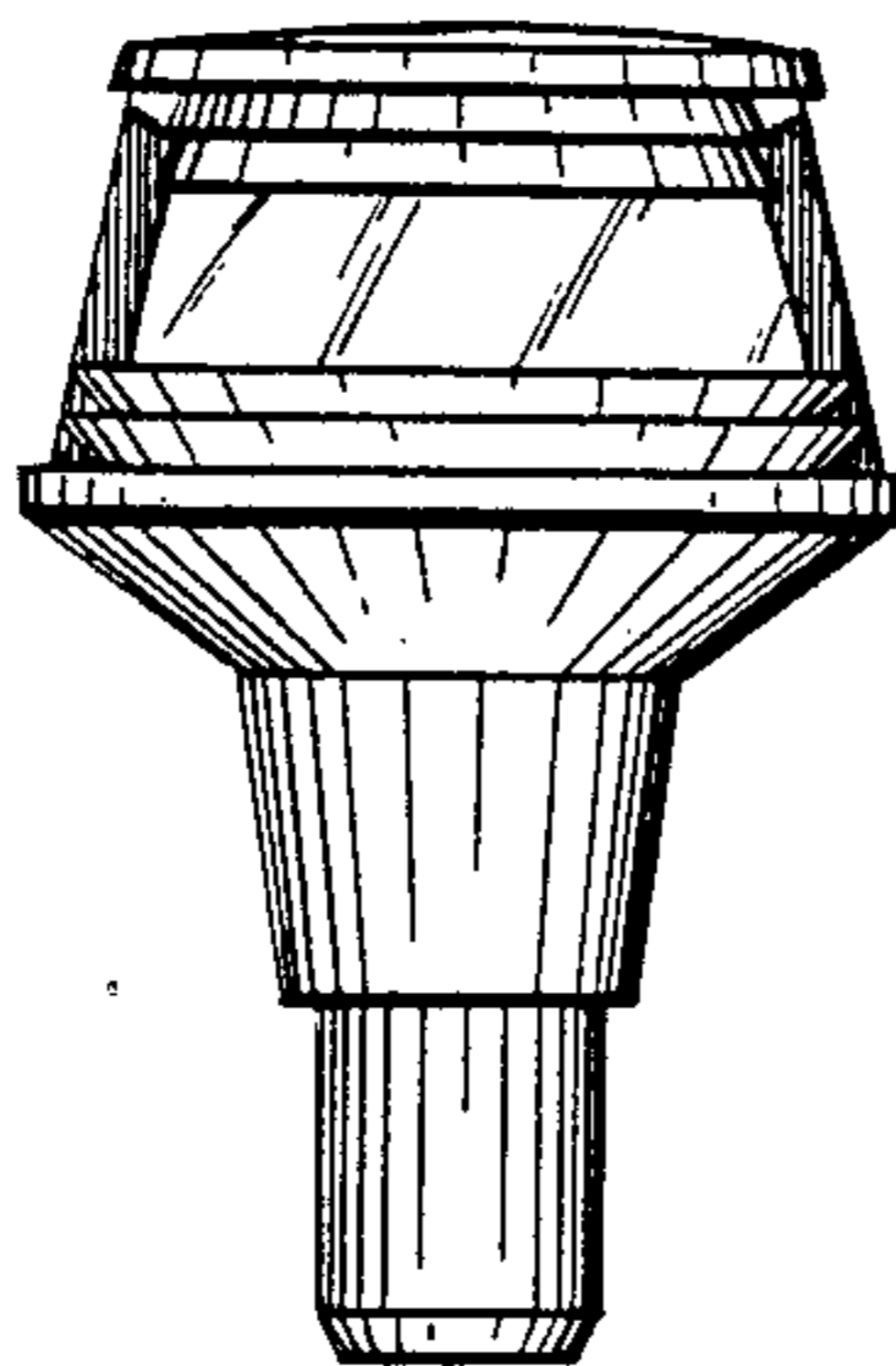
Primary Examiner—Susan J. Lucas
Attorney, Agent, or Firm—Price, Heneveld, Cooper, DeWitt & Litton

[57] CLAIM

The ornamental design for a combination side light for boats, substantially as shown and described.

DESCRIPTION

FIG. 1 is a top, left side perspective view of a combination side light for boats showing my new design; FIG. 2 is a left side elevational view thereof on a reduced scale, the right side being a mirror image; FIG. 3 is a front elevational view thereof on a reduced scale; FIG. 4 is a top plan view thereof on a reduced scale; FIG. 5 is a rear elevational view thereof on a reduced scale; FIG. 6 is a bottom plan view thereof on a reduced scale.



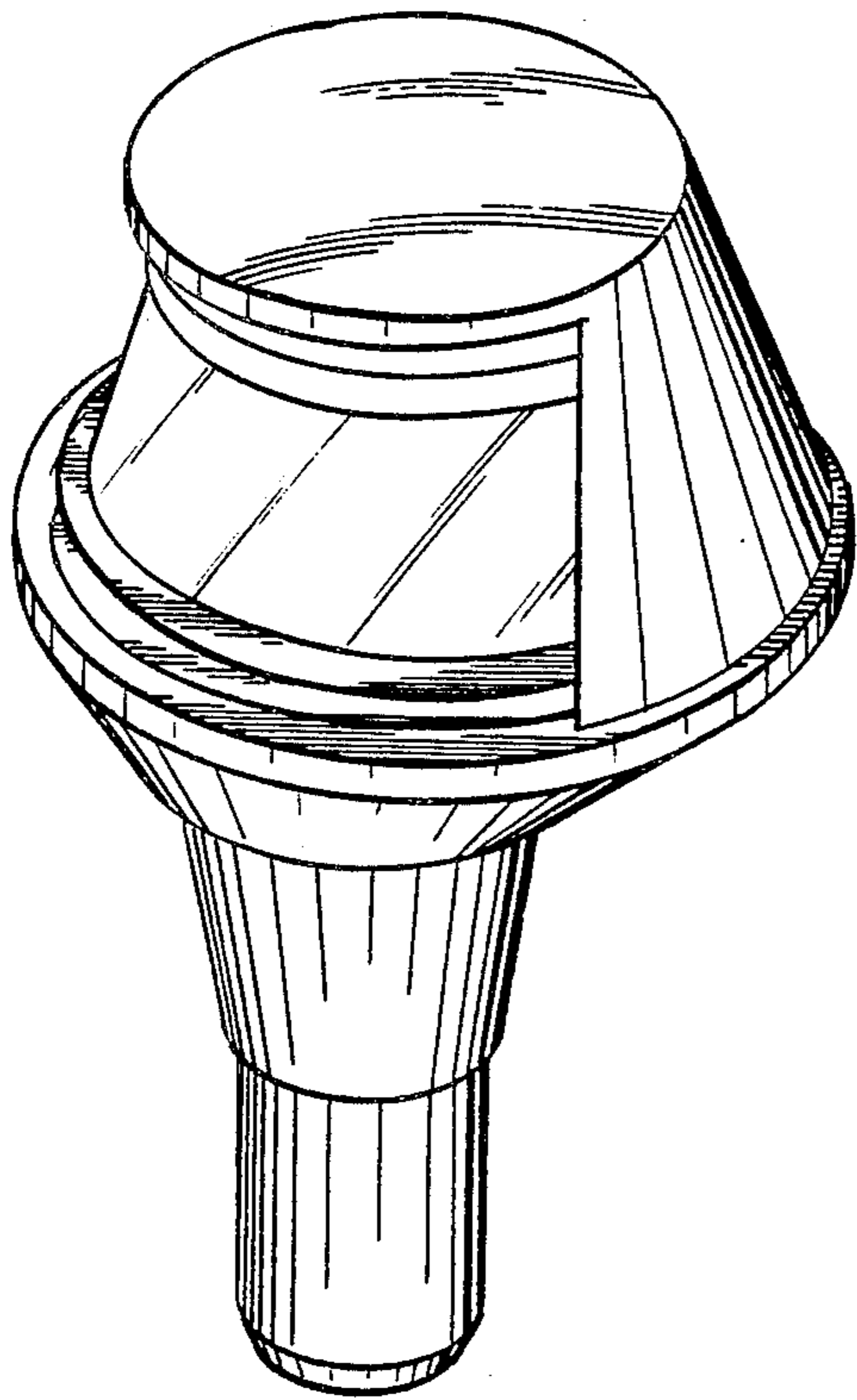


Fig. 1.

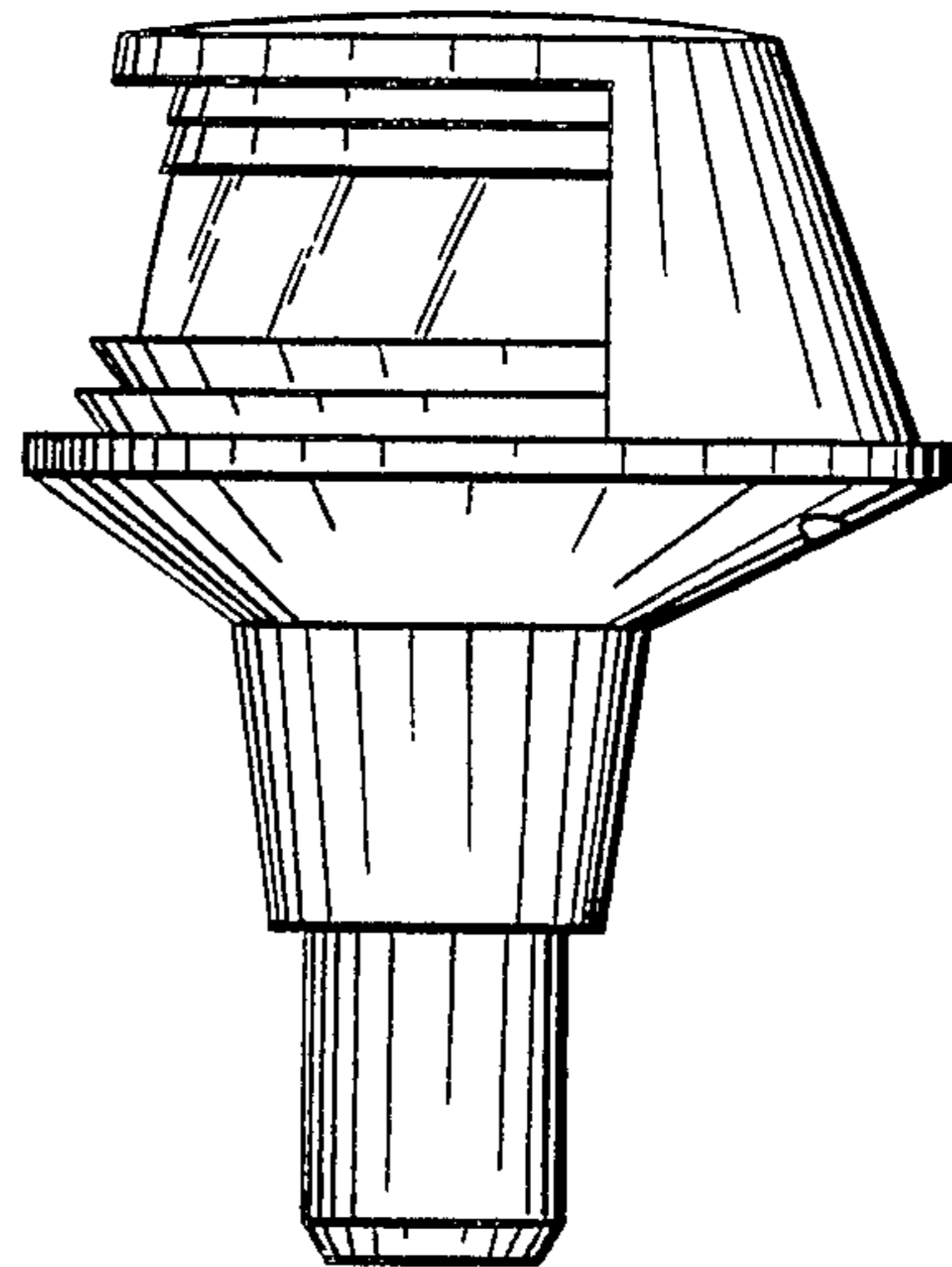


Fig. 2.

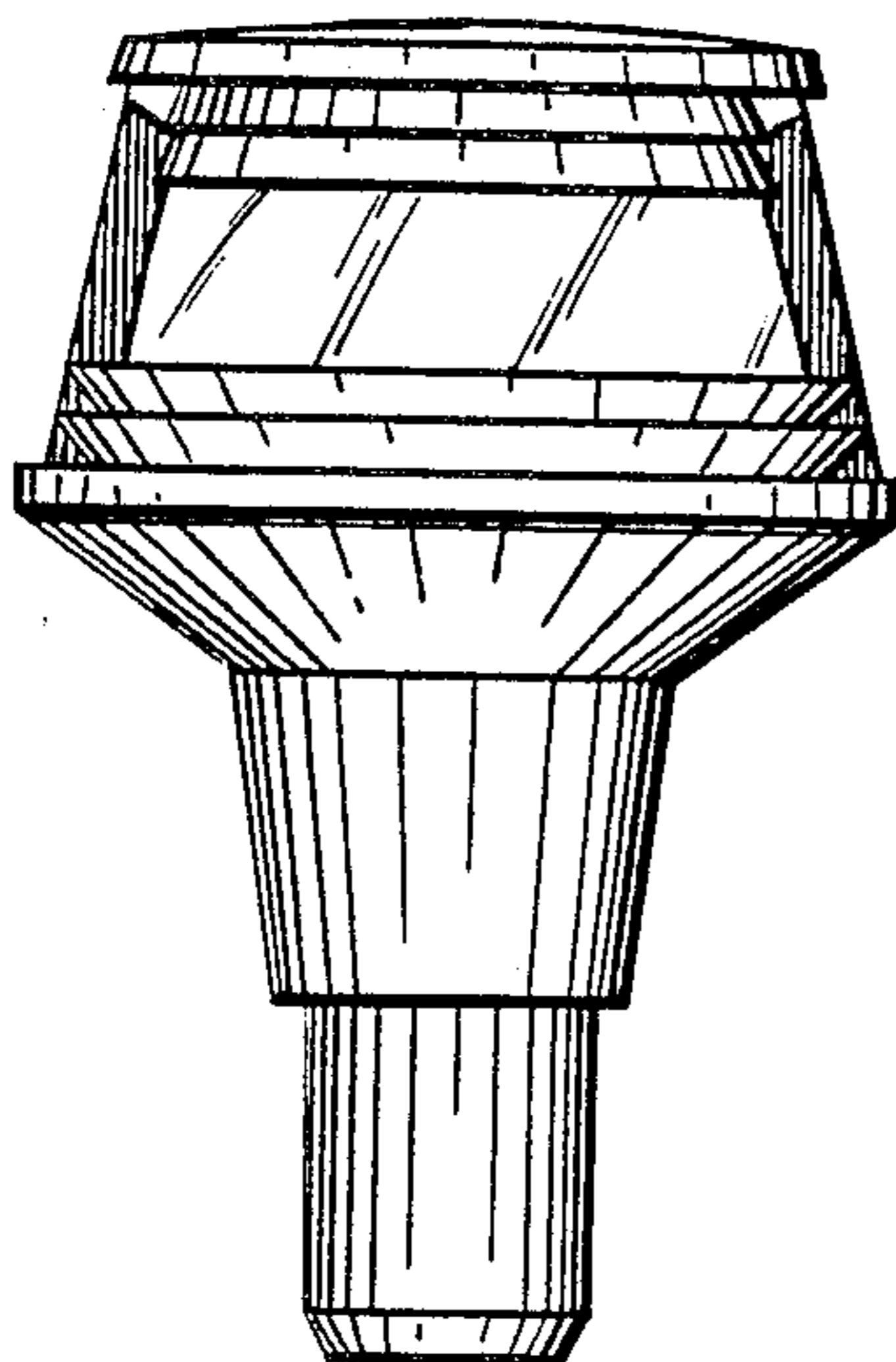


Fig. 3.

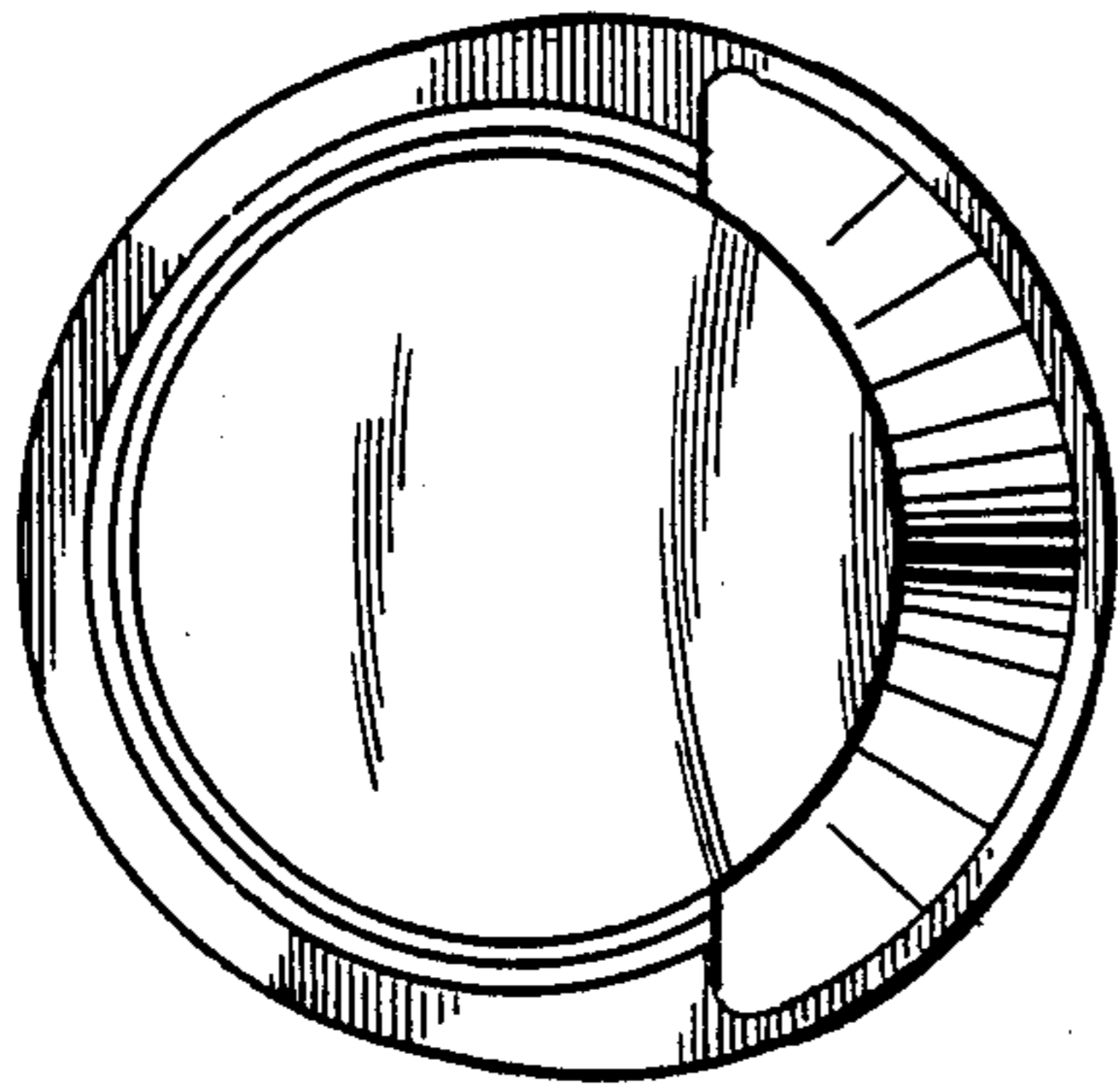


Fig. 4.

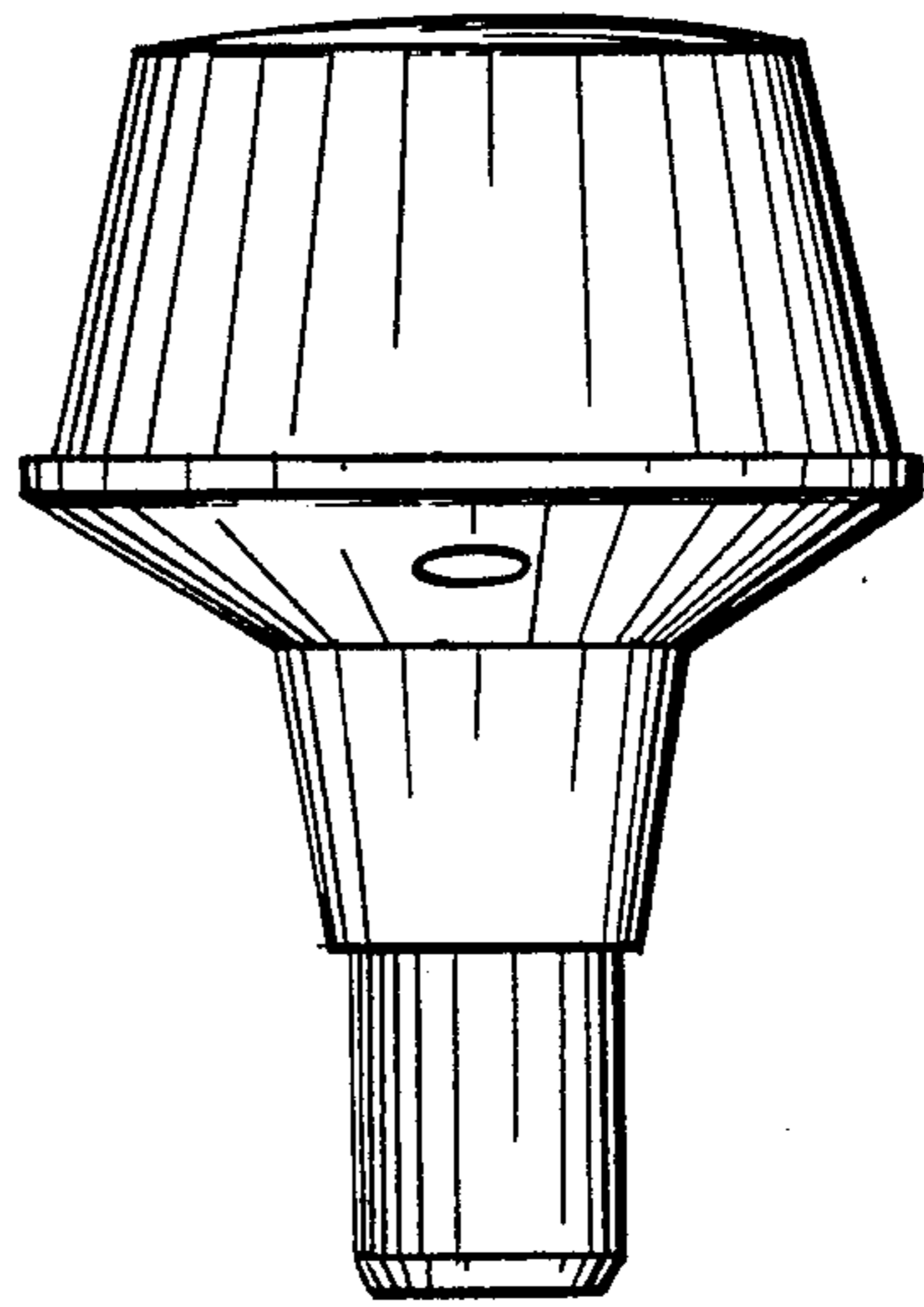


Fig. 5.

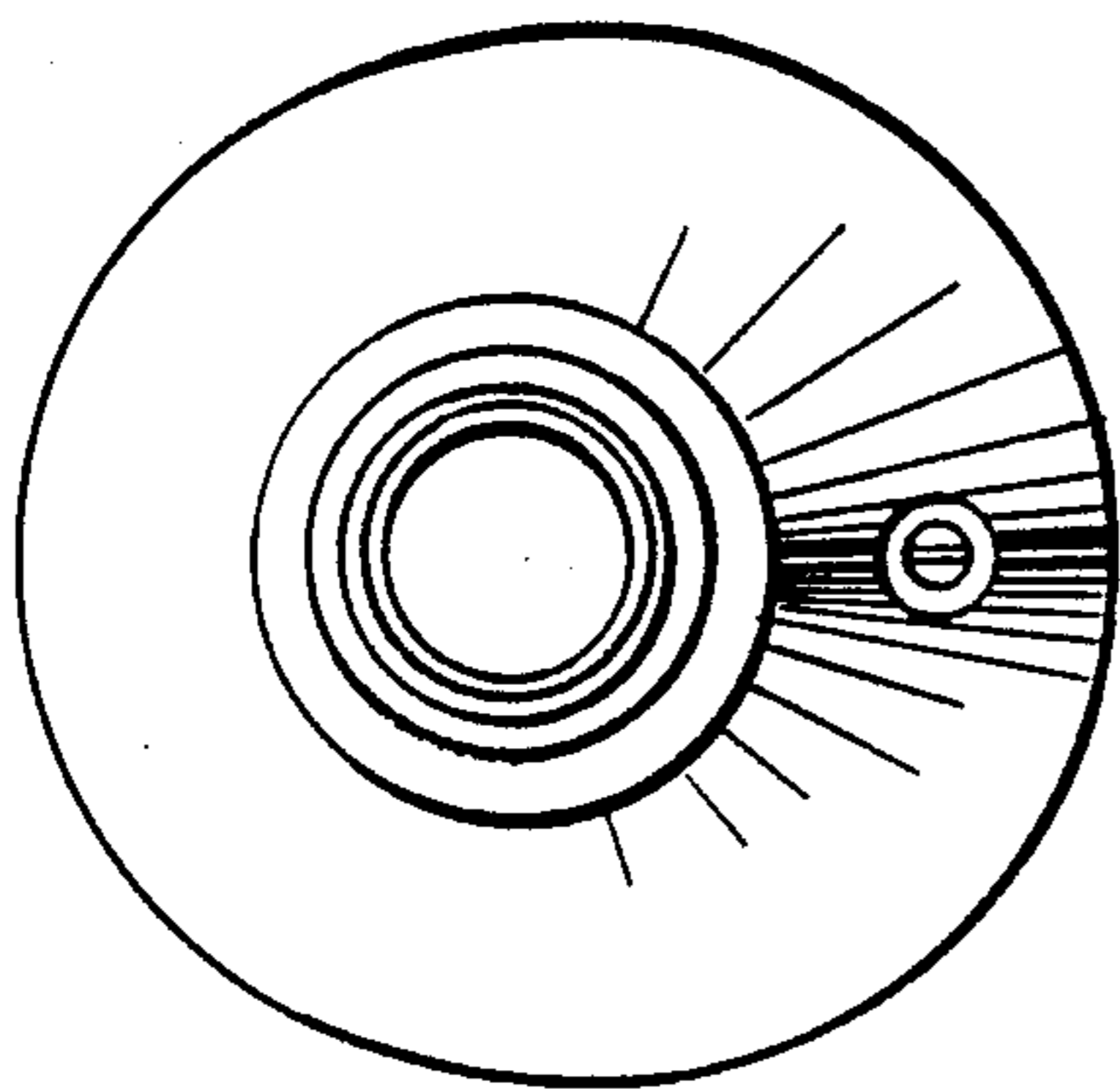


Fig. 6.

UNITED STATES PATENT AND TRADEMARK OFFICE
CERTIFICATE OF CORRECTION

PATENT NO. : Des. 295,680

DATED : May 10, 1988

INVENTOR(S) : Warwick M. Whitley II

It is certified that error appears in the above-identified patent and that said Letters Patent is hereby corrected as shown below:

Title page:

At [76] Warrick M. Whitley, II should be --Warwick M. Whitley, II--

**Signed and Sealed this
Twentieth Day of September, 1988**

Attest:

DONALD J. QUIGG

Attesting Officer

Commissioner of Patents and Trademarks