

[54] WARMER UNIT FOR FRAGRANCE
DIFFUSION

[75] Inventor: David L. Grimes, Greensboro, N.C.

[73] Assignee: Potpourri Press, Inc., Greensboro,
N.C.

[**] Term: 14 Years

[21] Appl. No.: 867,748

[22] Filed: May 28, 1986

[52] U.S. Cl. D23/366

[58] Field of Search D23/146-150;
98/2.11, 30; 222/187; 219/360; 55/101; 239/34,
36, 42-43, 47, 49-50, 53-60; 261/DIG. 16,
DIG. 42, 95, 99; 250/423 R

[56] References Cited

U.S. PATENT DOCUMENTS

D. 235,648 7/1975 Anderson D23/150
D. 252,102 6/1979 Mandon et al. D23/150
D. 286,674 11/1986 Hoyt D23/148

Primary Examiner—Wallace R. Burke
Assistant Examiner—Brian N. Vinson
Attorney, Agent, or Firm—Charles R. Rhodes; Judith E.
Garmon

[57] CLAIM

The ornamental design for a warmer unit for fragrance
diffusion, as shown and described.

DESCRIPTION

FIG. 1 is a top perspective view of a warmer unit for
fragrance diffusion showing my new design;
FIG. 2 is a side elevational view thereof, the opposite
and adjacent sides being substantially similar in appear-
ance; and
FIG. 3 is a top plan view thereof.

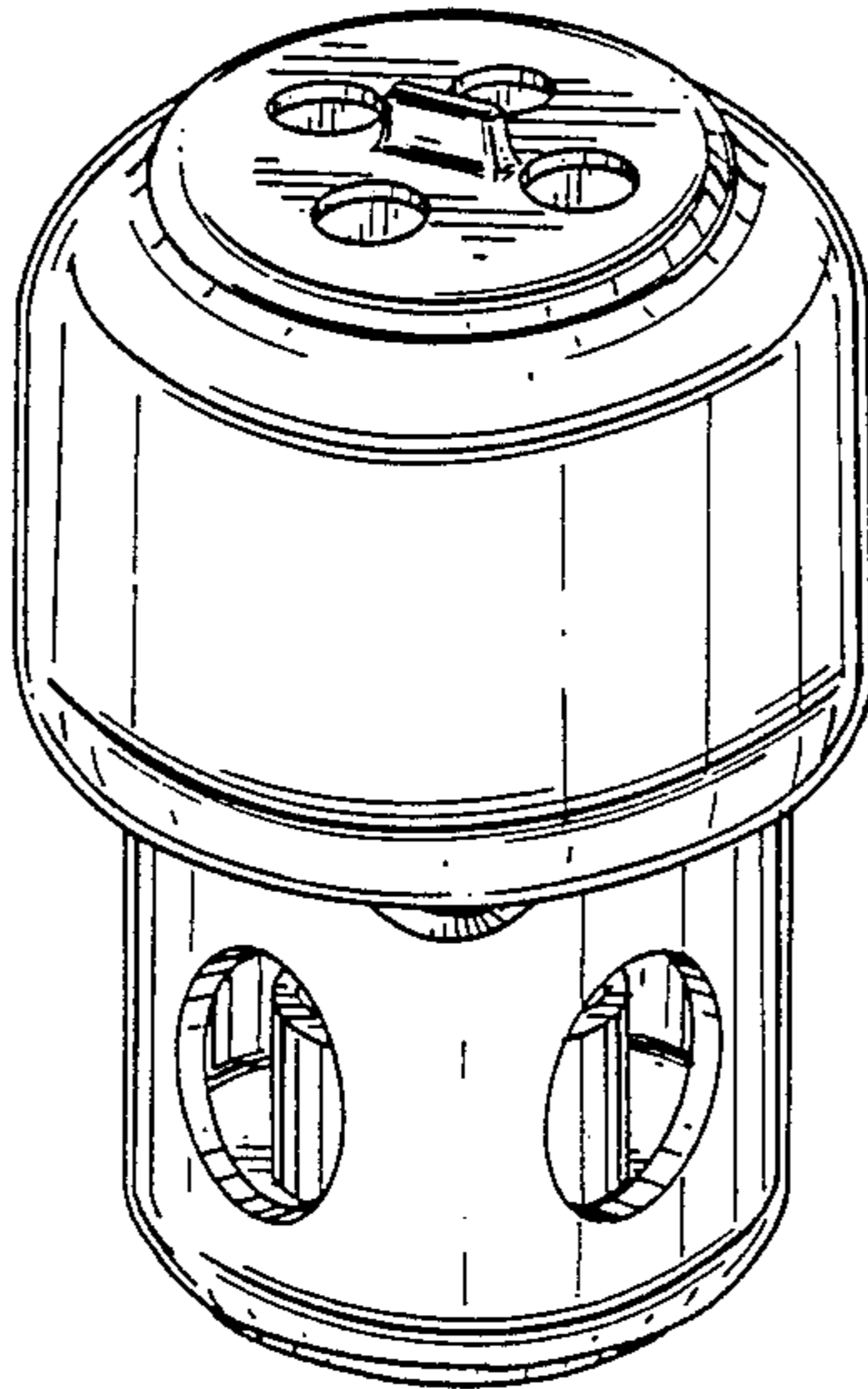


FIG. 1

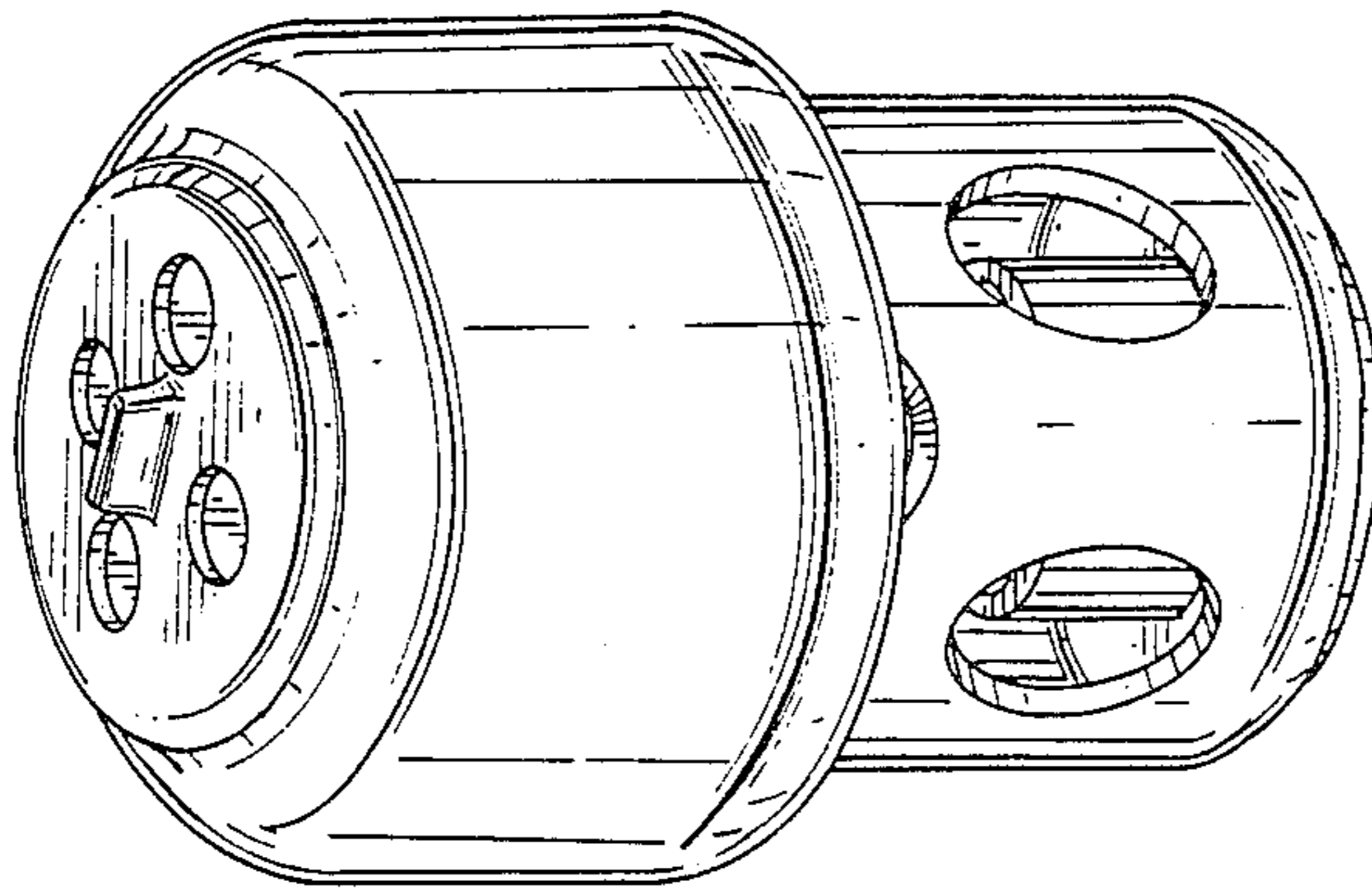


FIG. 2

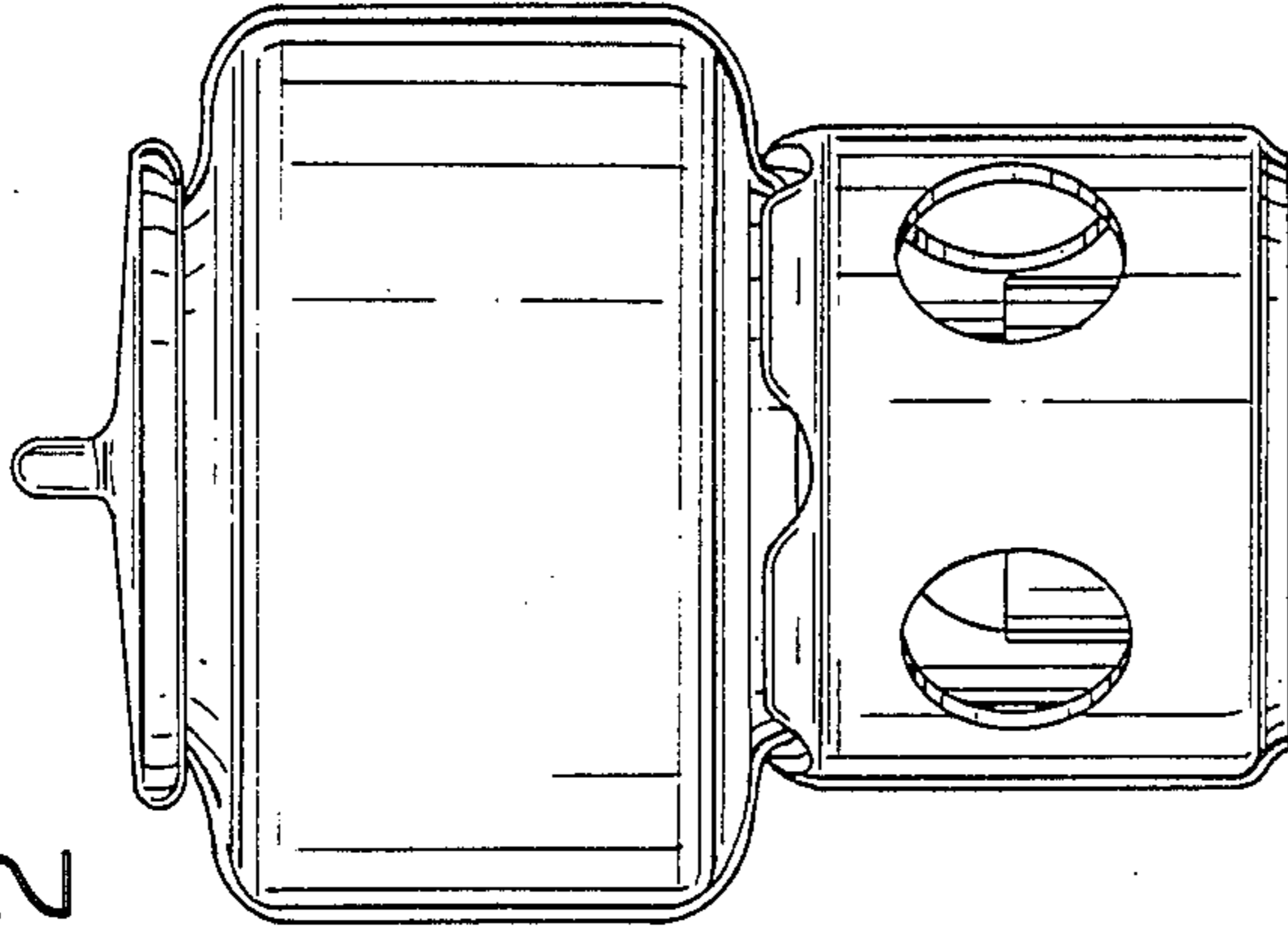


FIG. 3

