

[54] AIR-FILTER

[75] Inventors: Yoshinari Ogasawara, Kasugai; Syunzi Tukamoto, Inazawa, both of Japan

[73] Assignee: CKD Kabushiki Kaisha, Komaki, Japan

[**] Term: 14 Years

[21] Appl. No.: 882,623

[22] Filed: Jul. 3, 1986

[30] Foreign Application Priority Data

Feb. 5, 1986 [JP] Japan 3781/1986

[52] U.S. Cl. D23/365

[58] Field of Search D23/3.4, 149; 210/94, 210/153, 198.1, 199, 348, 416.2, 416.5

[56] References Cited

U.S. PATENT DOCUMENTS

D. 221,850 9/1971 Anderson D23/4

D. 236,265 8/1975 Dussardier D23/4
2,955,712 10/1960 Gutkowski 210/133 X
3,289,847 12/1966 Rothmund D23/3 X
3,297,160 1/1967 Humbert, Jr. 210/94

Primary Examiner—Wallace R. Burke
Assistant Examiner—Brian N. Vinson
Attorney, Agent, or Firm—Neuman, Williams, Anderson & Olson

[57] CLAIM

The ornamental design for an air-filter, substantially as shown and described.

DESCRIPTION

FIG. 1 is a bottom, front and left side perspective view of an air filter showing our new design;
FIG. 2 is a front elevational view thereof;
FIG. 3 is a right side elevational view thereof;
FIG. 4 is a rear elevational view thereof;
FIG. 5 is a left side elevational view thereof;
FIG. 6 is a top plan view thereof; and
FIG. 7 is a bottom plan view thereof.

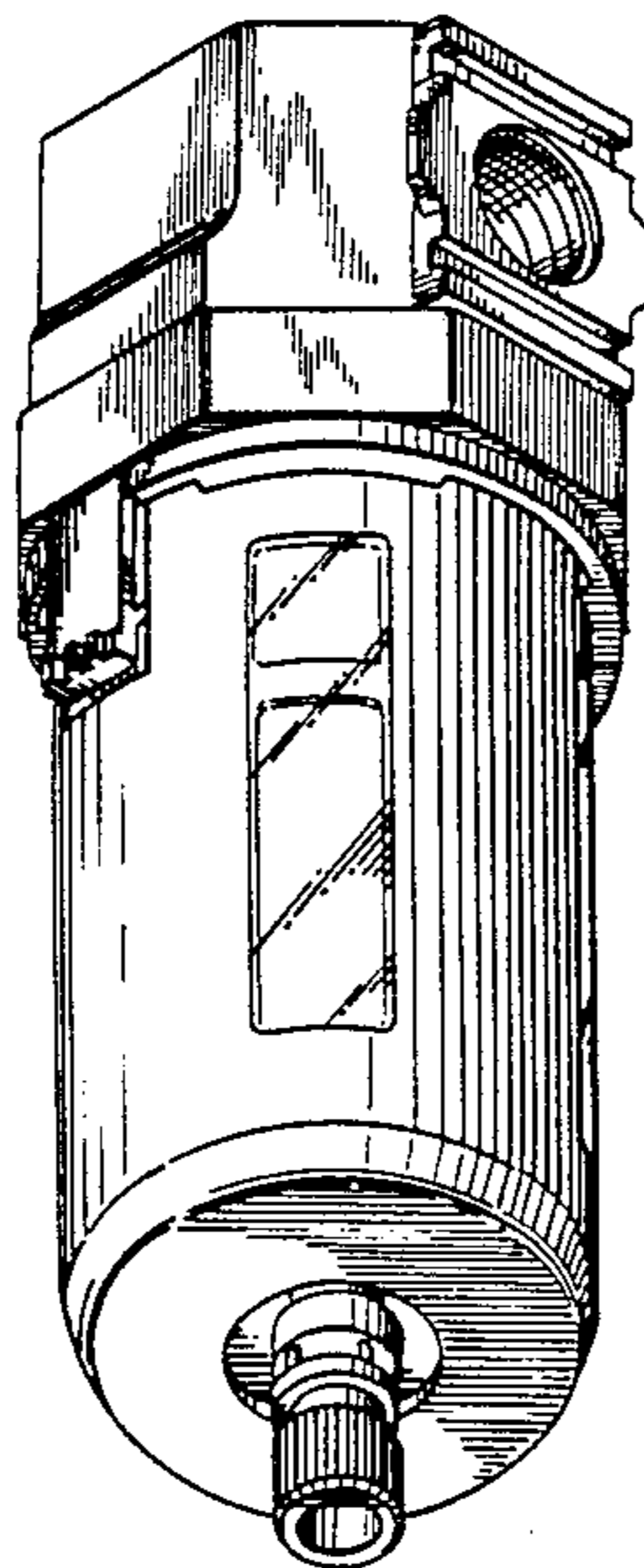


FIG-3

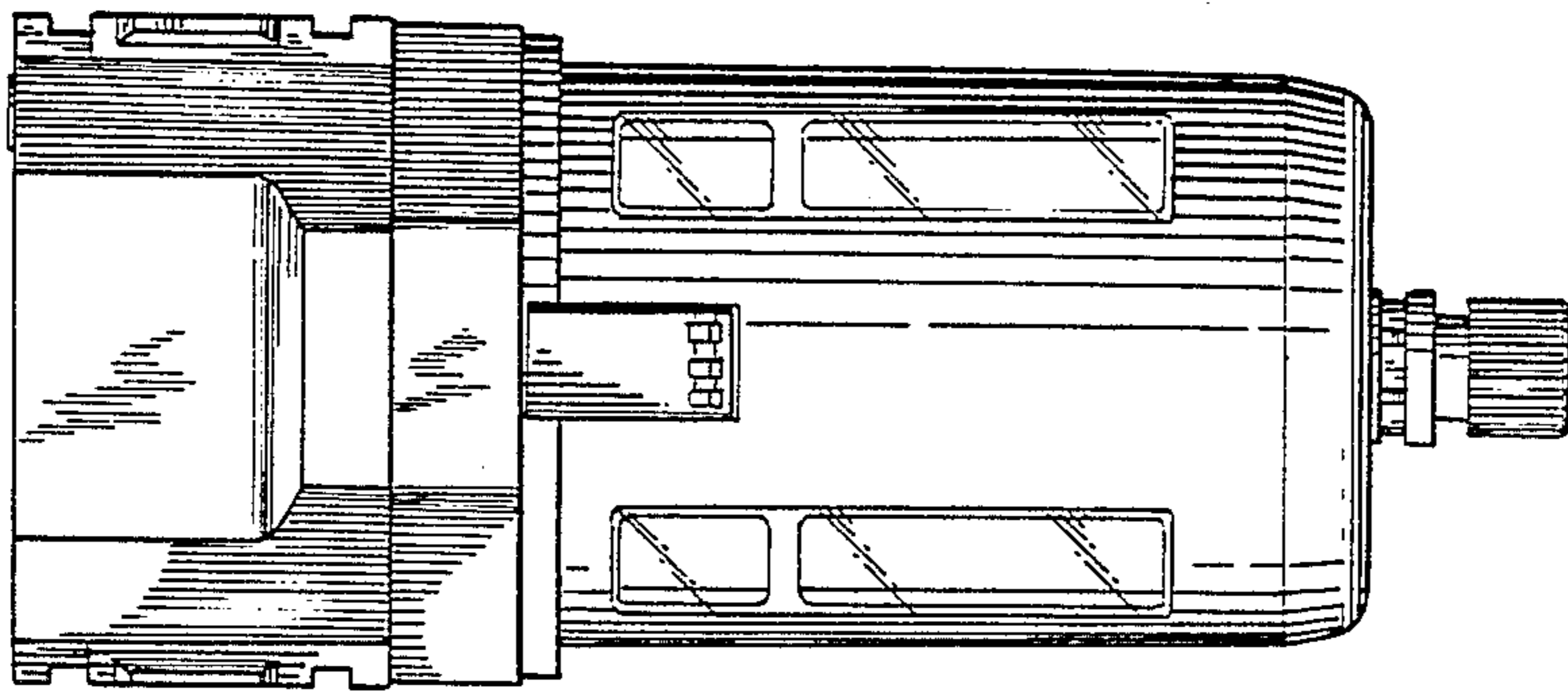


FIG-2

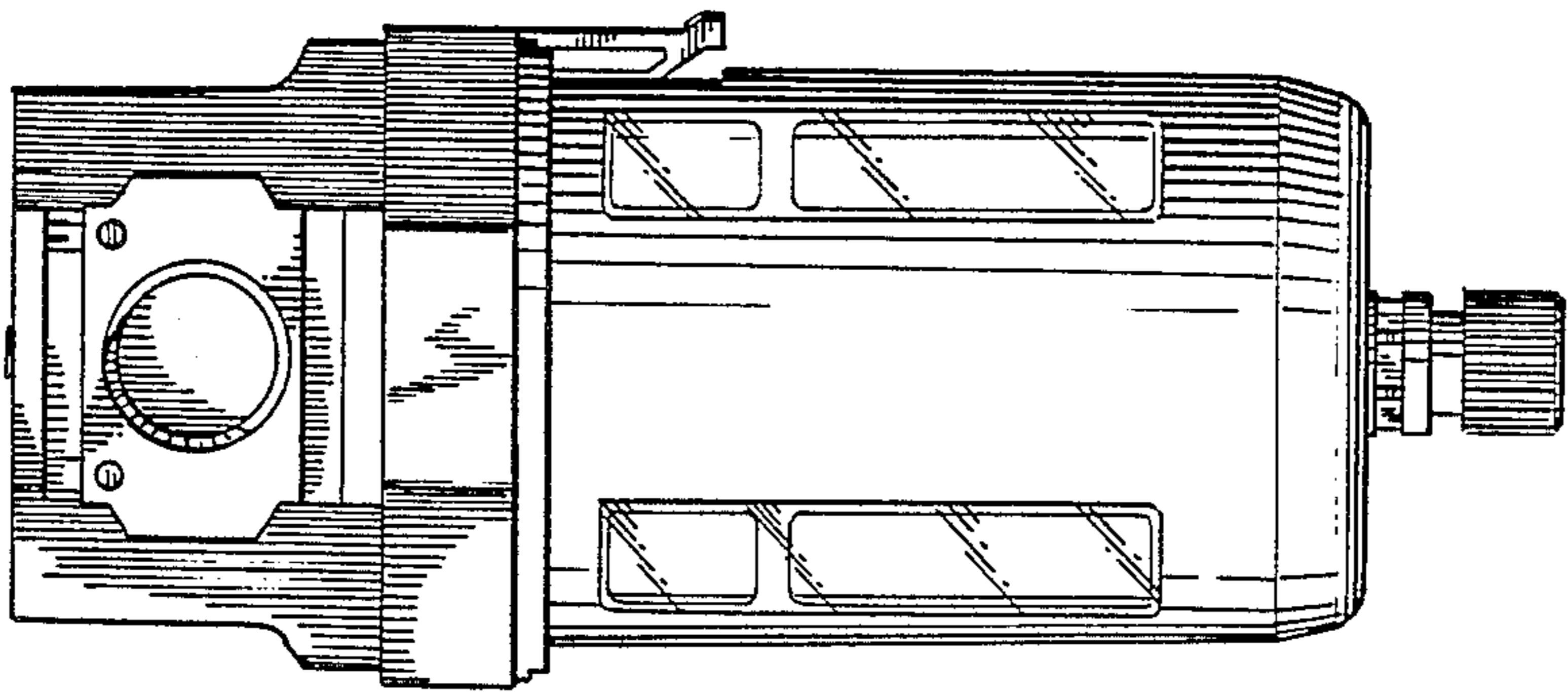
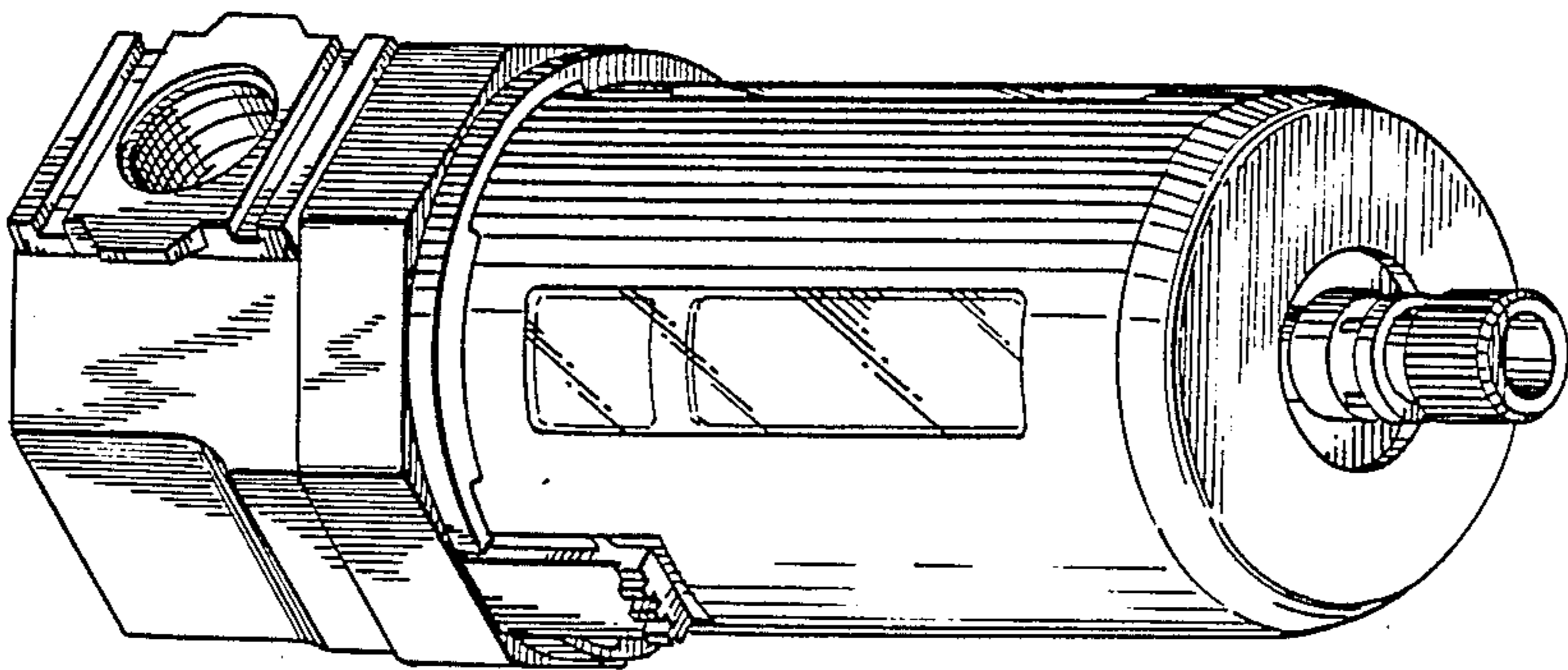


FIG-1



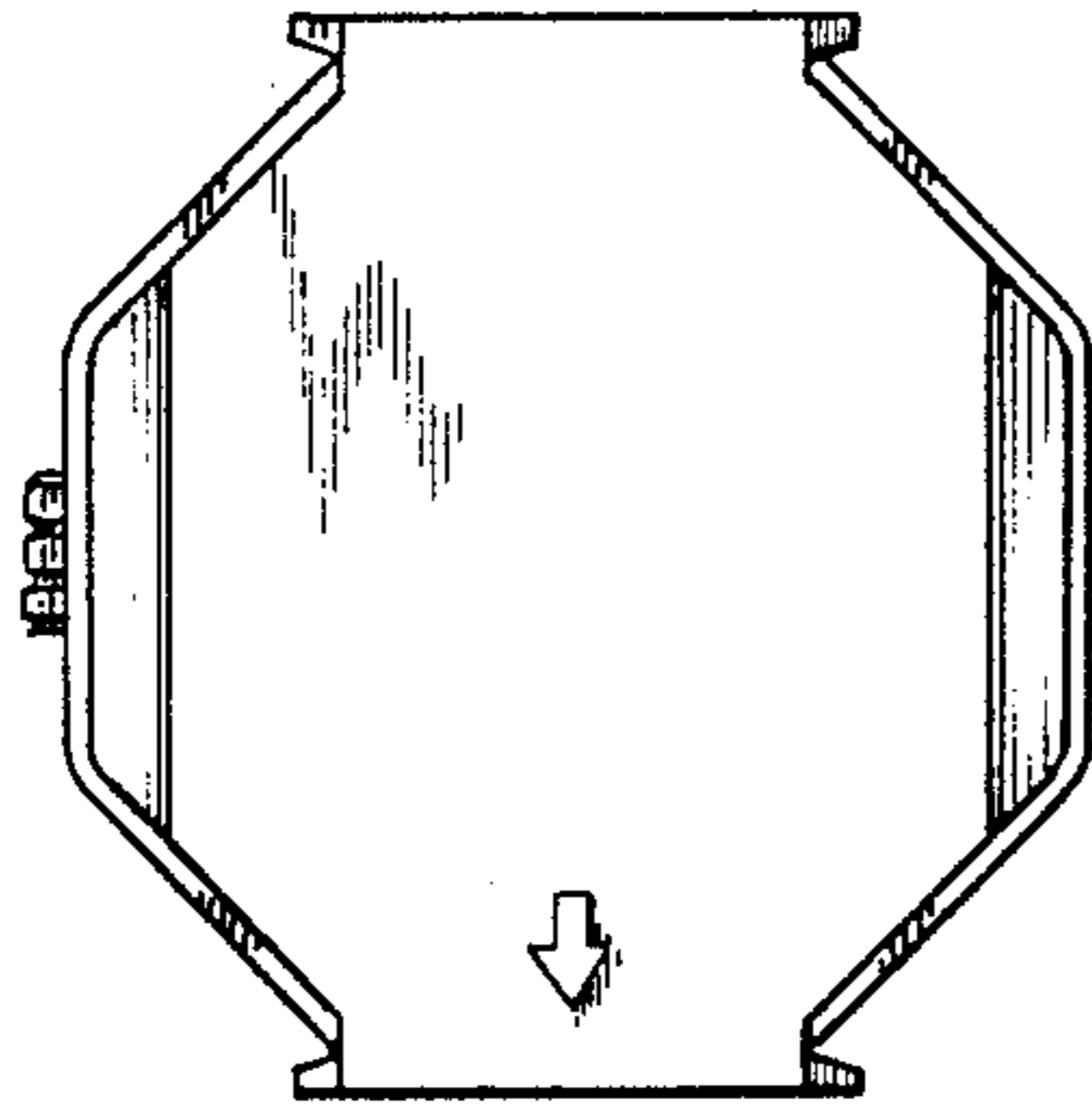


FIG-6

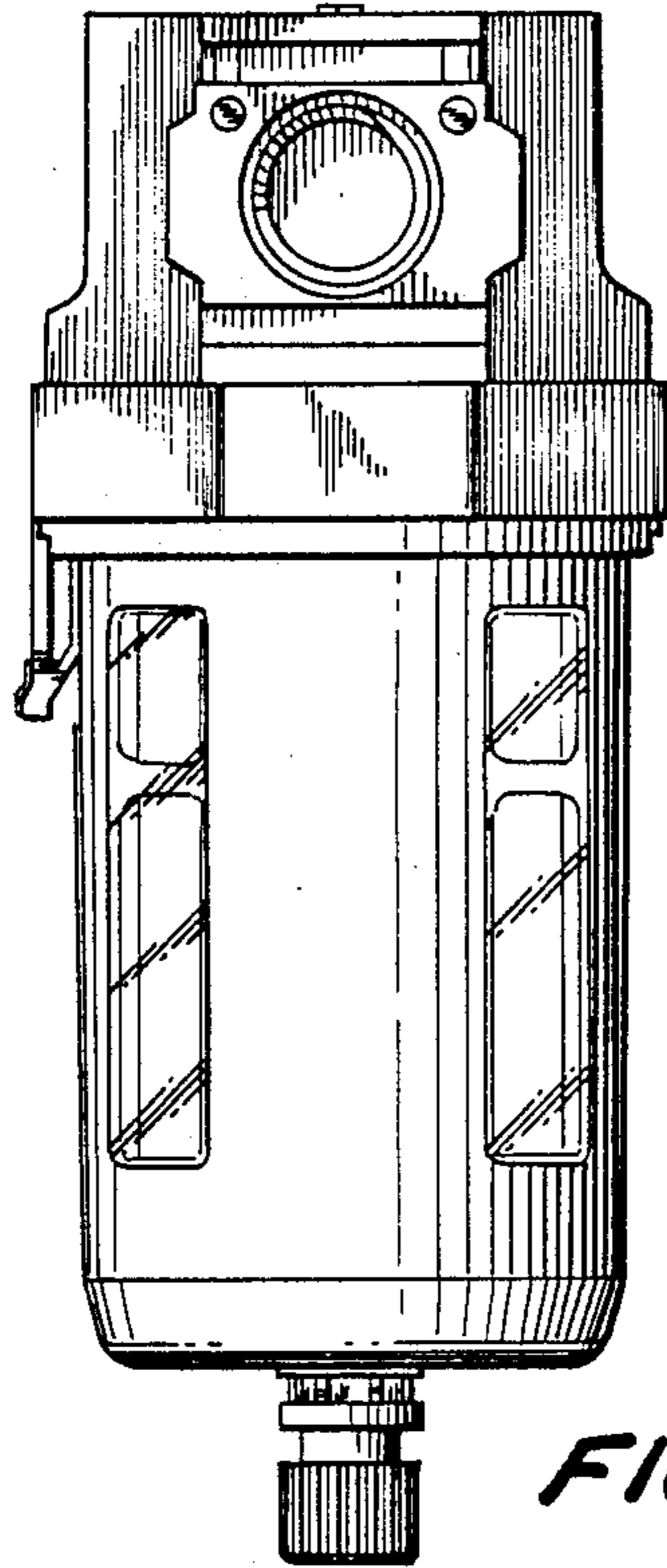


FIG-4

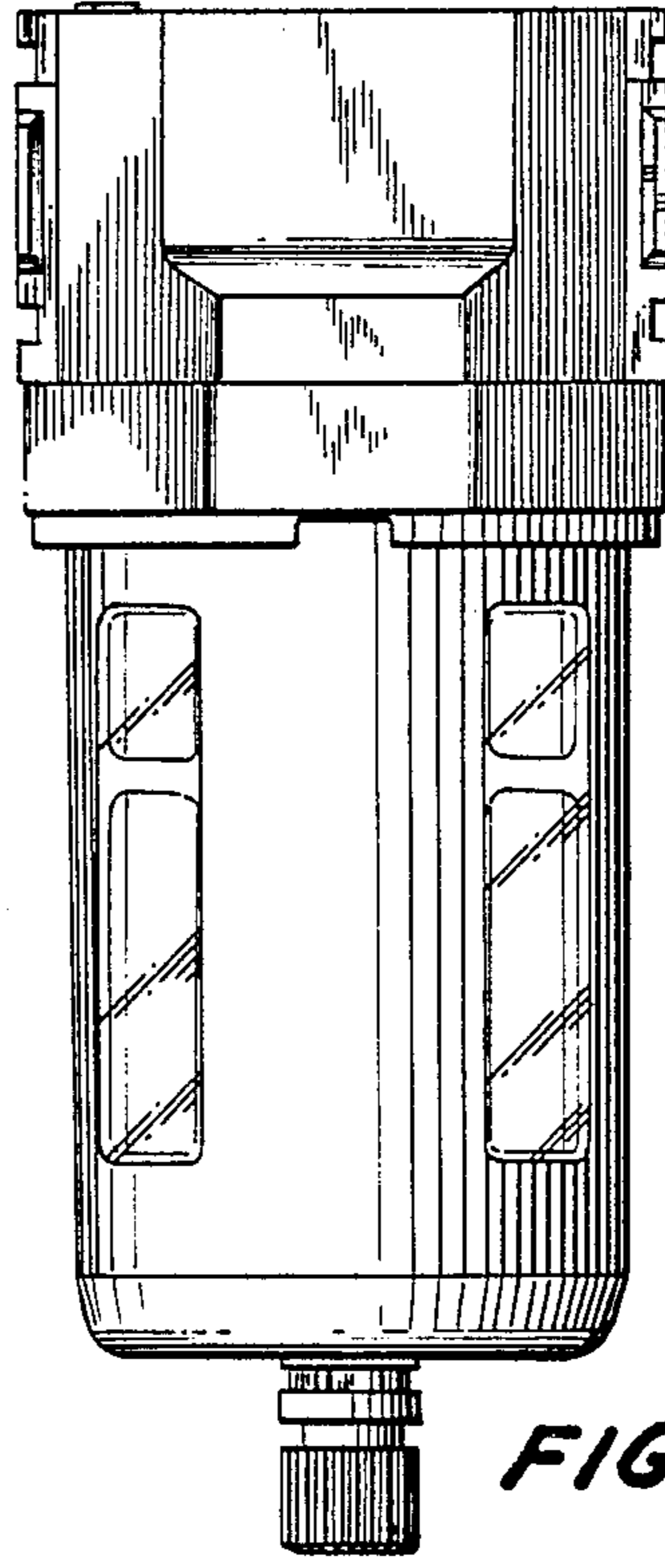


FIG-5

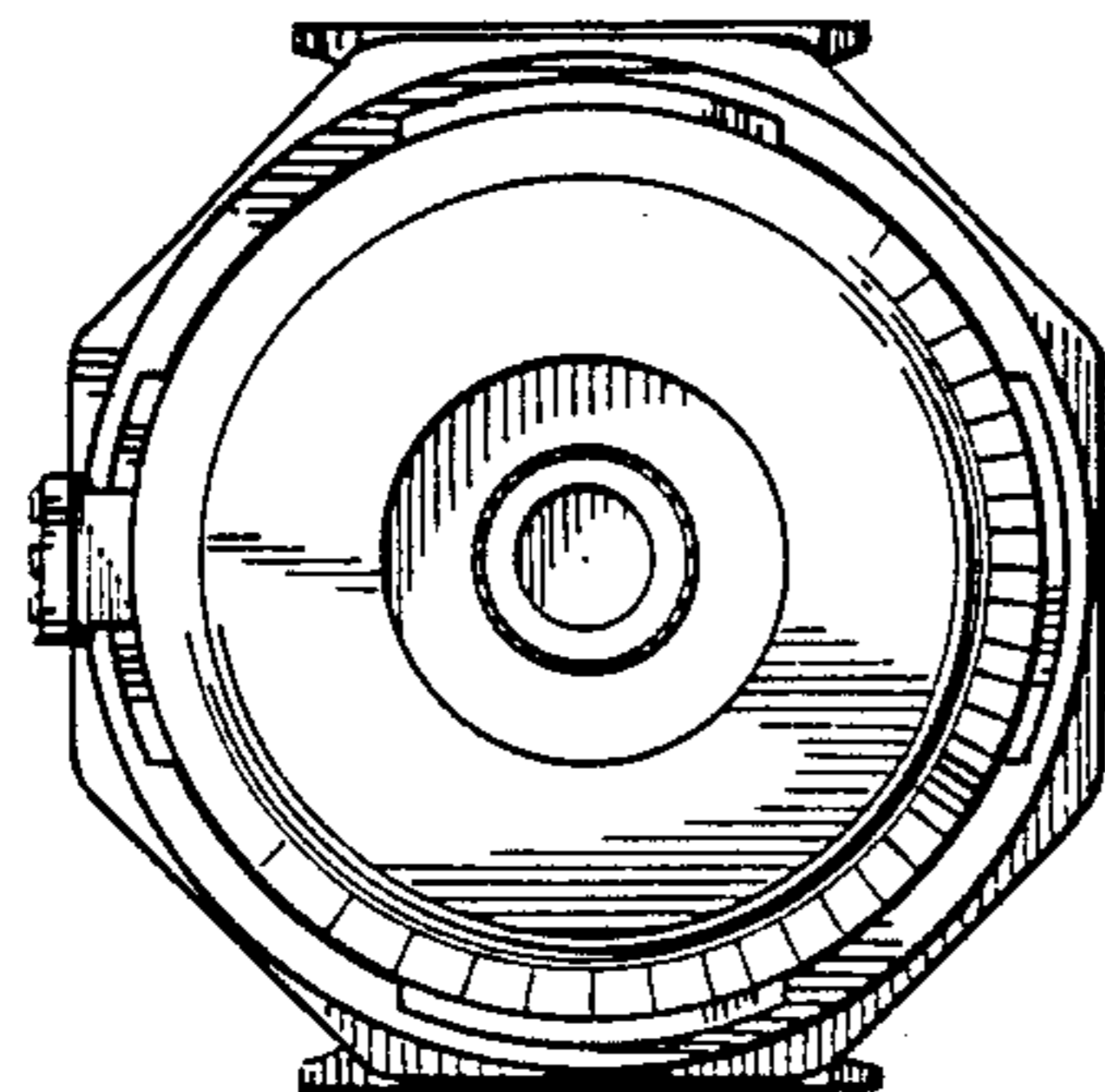


FIG-7