

[54] NATURAL GAS PURIFICATION UNIT

[76] Inventors: Roger J. Anderson, 860 Summit Rd., Santa Barbara, Calif. 93108; Jeffrey R. Anderson, 1735 San Gabriel, Ventura, Calif. 93004

[**] Term: 14 Years

[21] Appl. No.: 757,268

[22] Filed: Jul. 22, 1985

[52] U.S. Cl. D23/355; D23/205

[58] Field of Search D23/202, 205, 364, 365, D23/209, 355; 210/188, 205, 206; 220/3, 1 B, 901; 55/210, 220, 529

[56] References Cited

U.S. PATENT DOCUMENTS

D. 166,584 4/1952 Beard D23/205

D. 229,178 11/1973 Mixon D23/207
D. 282,561 2/1986 Lu D23/207
4,152,262 5/1979 Rose 210/206 X
4,297,223 10/1981 Rivenbark 210/205 X

Primary Examiner—Wallace R. Burke
Assistant Examiner—Brian N. Vinson
Attorney, Agent, or Firm—Davis & DiGrazia

[57] CLAIM

The ornamental design for a natural gas purification unit, as shown.

DESCRIPTION

FIG. 1 is a front and left side perspective view of a natural gas purification unit showing our new design; FIG. 2 is a right side elevational view thereof; FIG. 3 is a top plan view thereof; FIG. 4 is a bottom plan view thereof; FIG. 5 is a front end elevational view thereof; and FIG. 6 is a rear end elevational view thereof.

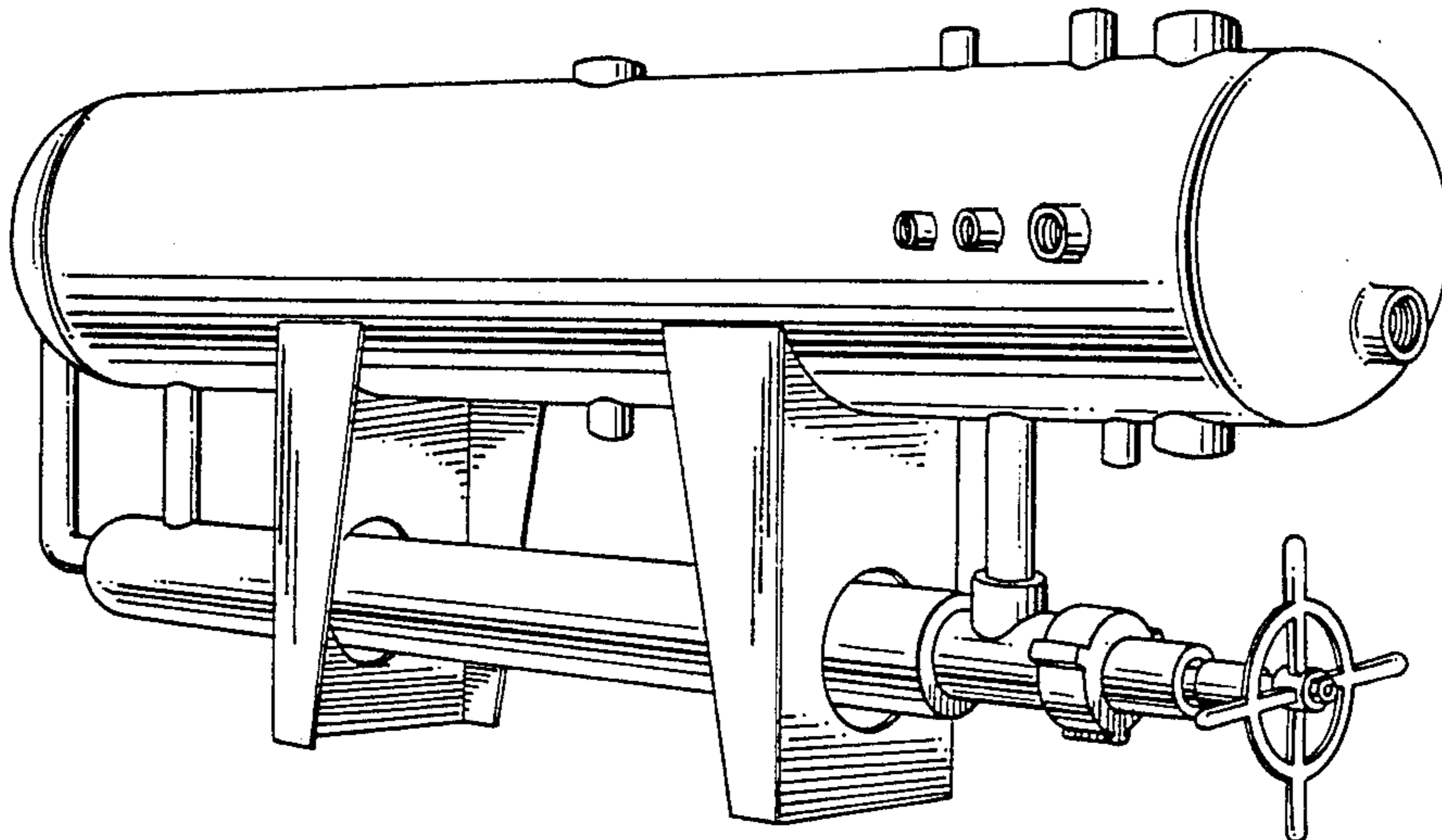


FIG. 1

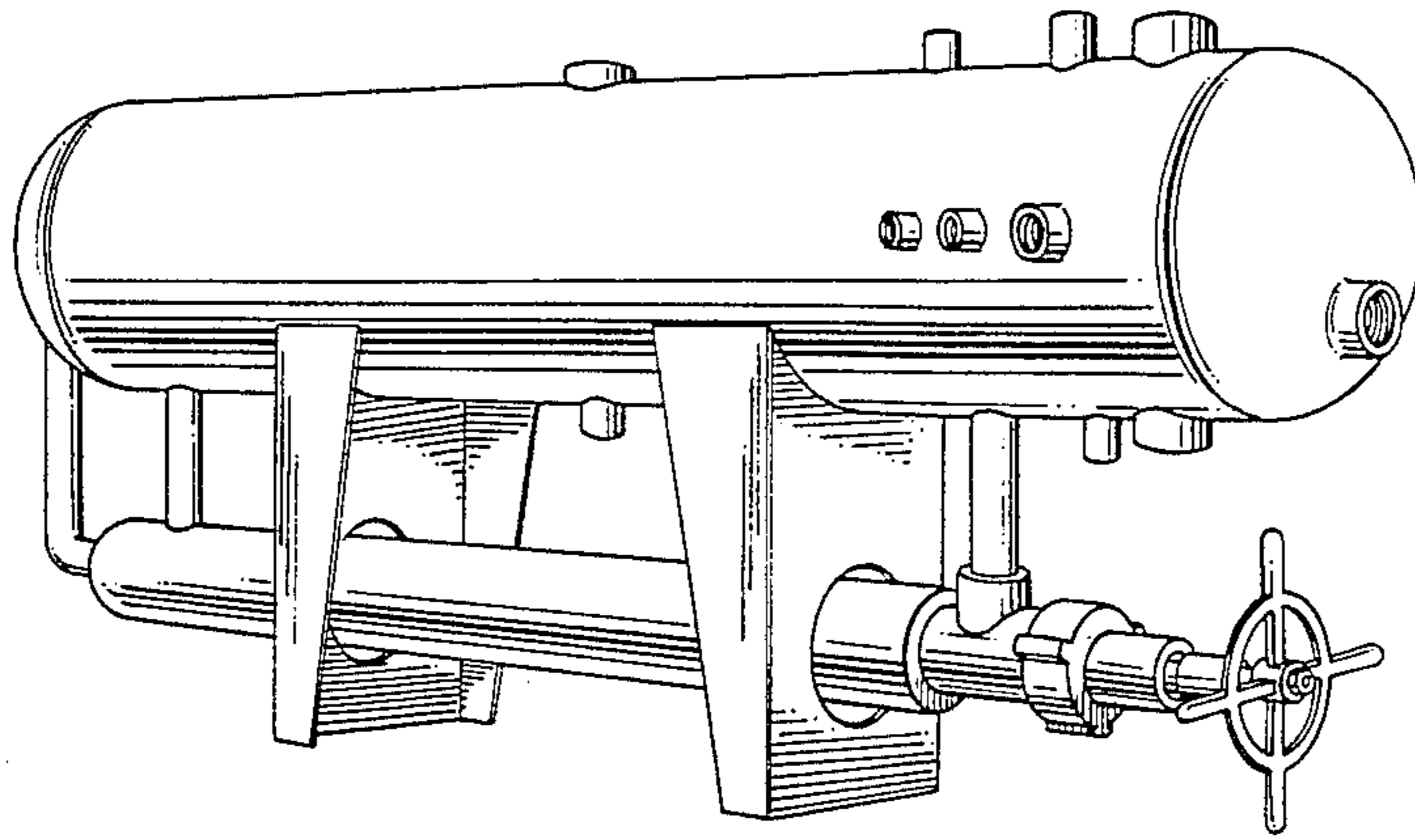


FIG. 2

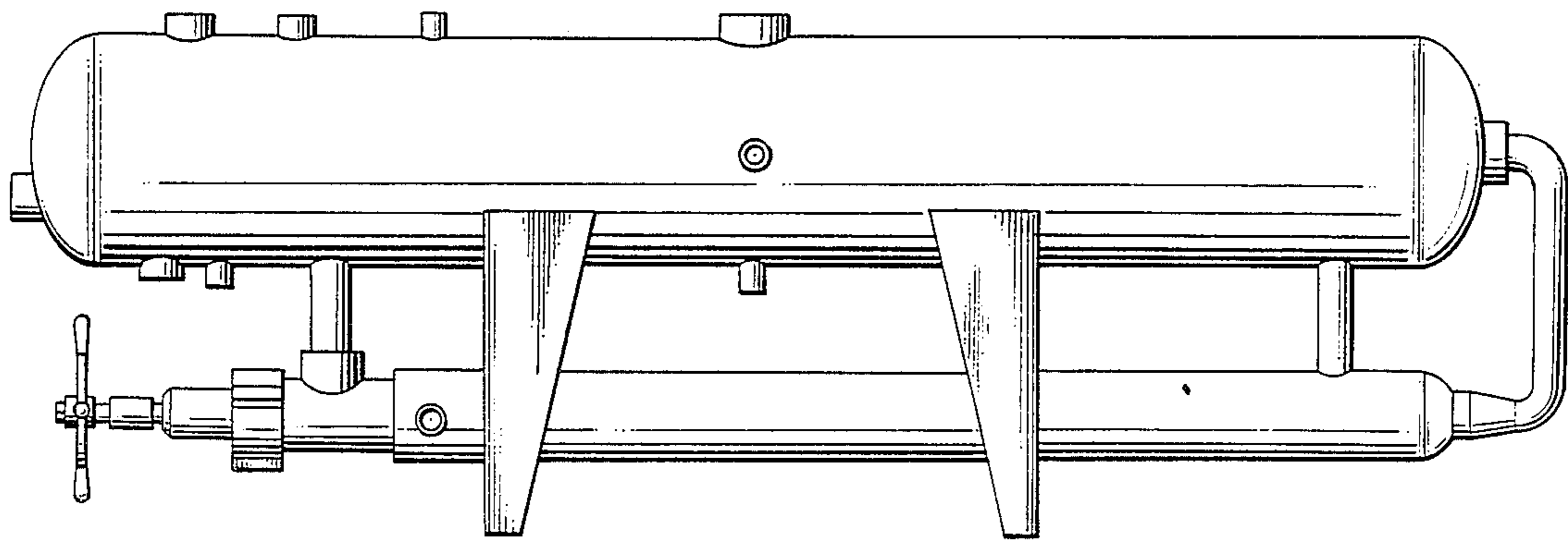


FIG. 3

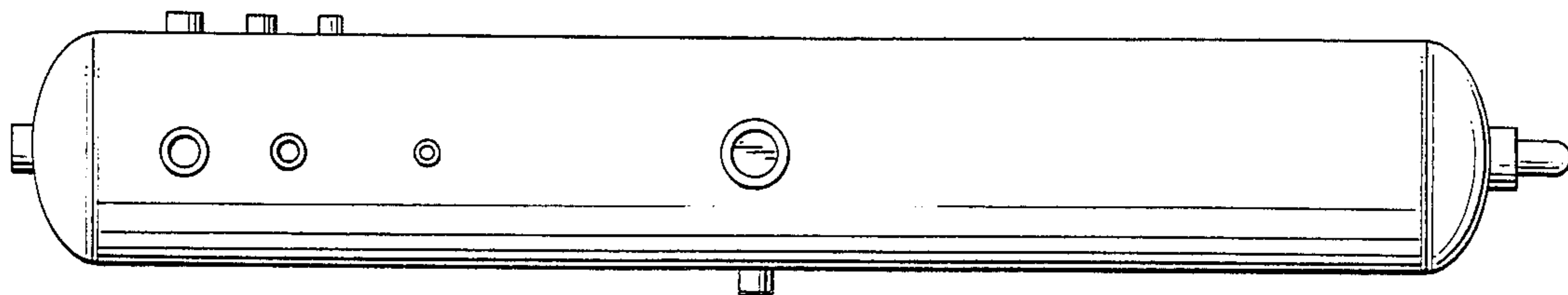


FIG. 4

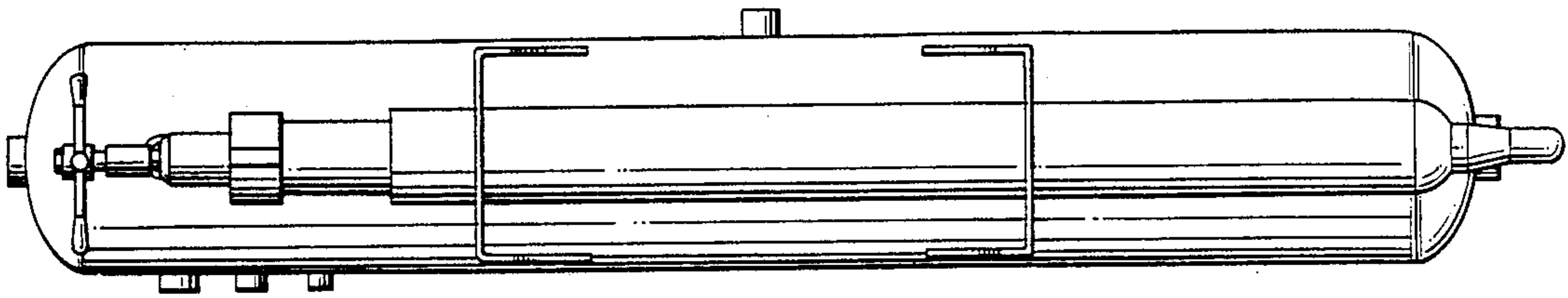


FIG. 5

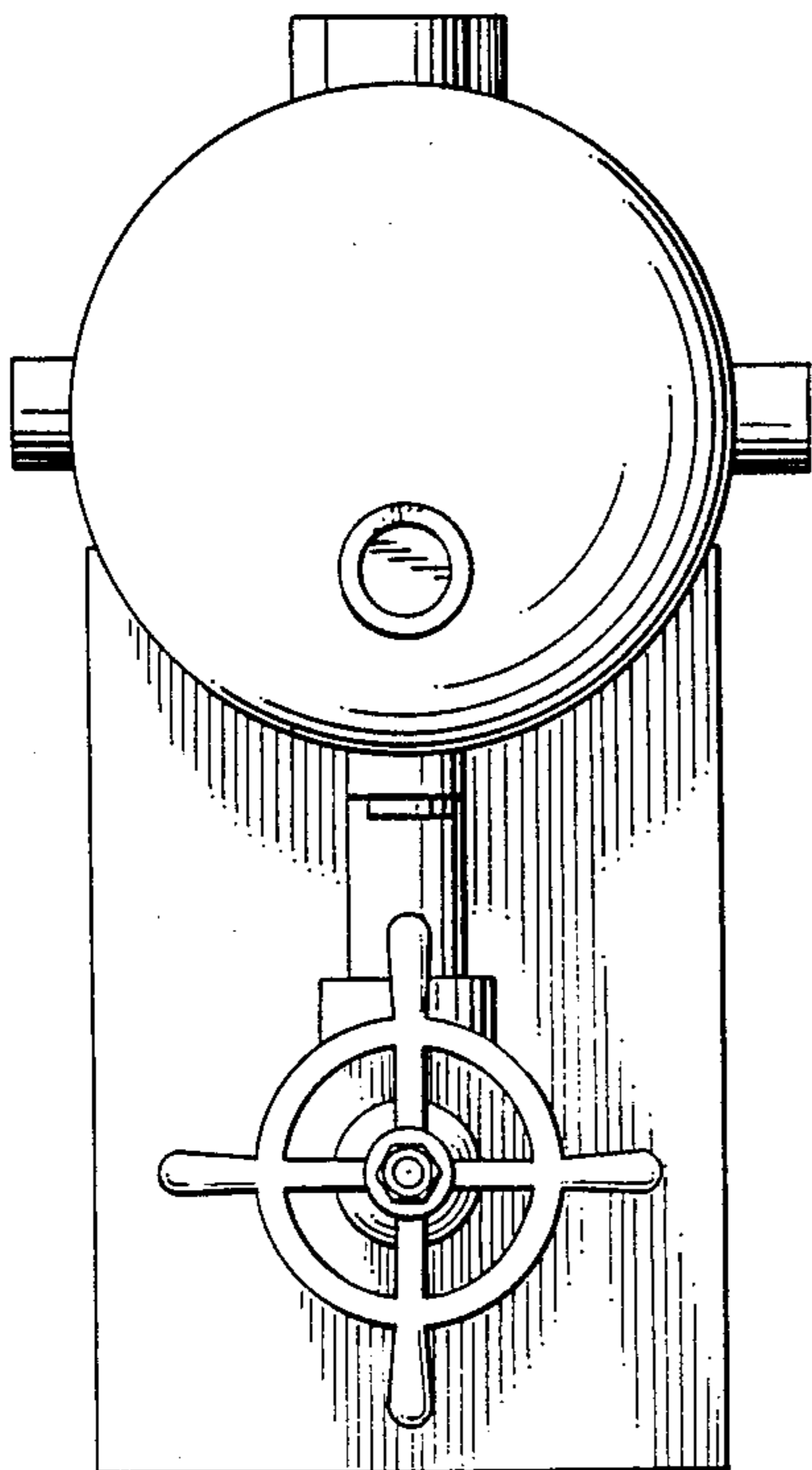


FIG. 6

