

[54] LAVATORY

[75] Inventors: Mary J. Reid, Sheboygan; Ronald D. Olson, Brown Deer, both of Wis.

[73] Assignee: Kohler Co., Kohler, Wis.

[**] Term: 14 Years

[21] Appl. No.: 869,116

[22] Filed: May 30, 1986

[52] U.S. Cl. D23/294

[58] Field of Search D23/284-294;
4/619, 639-643, 650, 651

Page 8-7 of a 1985 Kohler Co., "K-400 Plumbing Products catalog", admitted prior art.

Page 10-12 of a 1985 Kohler Co., "K-400 Plumbing Products catalog", admitted prior art.

Page 7-4 of a 1985 Kohler Co., "K-400 Plumbing Products catalog", admitted prior art.

Primary Examiner—James R. Largent
Attorney, Agent, or Firm—Quarles & Brady

[57] CLAIM

The ornamental design for a lavatory, as shown and described.

[56] References Cited

U.S. PATENT DOCUMENTS

D. 191,432	10/1961	Chapman	D23/294
D. 211,524	6/1968	Plantholt	D23/294
D. 219,215	11/1970	Korol	.	
D. 236,725	9/1975	Forst	D23/294
D. 250,659	12/1978	Stevenson et al.	D23/294
D. 267,336	12/1982	Fortuno	D23/294
D. 274,642	7/1984	Doman	D23/294

OTHER PUBLICATIONS

A photocopy of a 1985 Spurlin bathtub, admitted prior art.

Two sheets of drawings from a patent application by Jacuzzi, admitted prior art.

DESCRIPTION

FIG. 1 is a top plan view of a lavatory showing our new design;

FIG. 2 is a bottom plan view thereof;

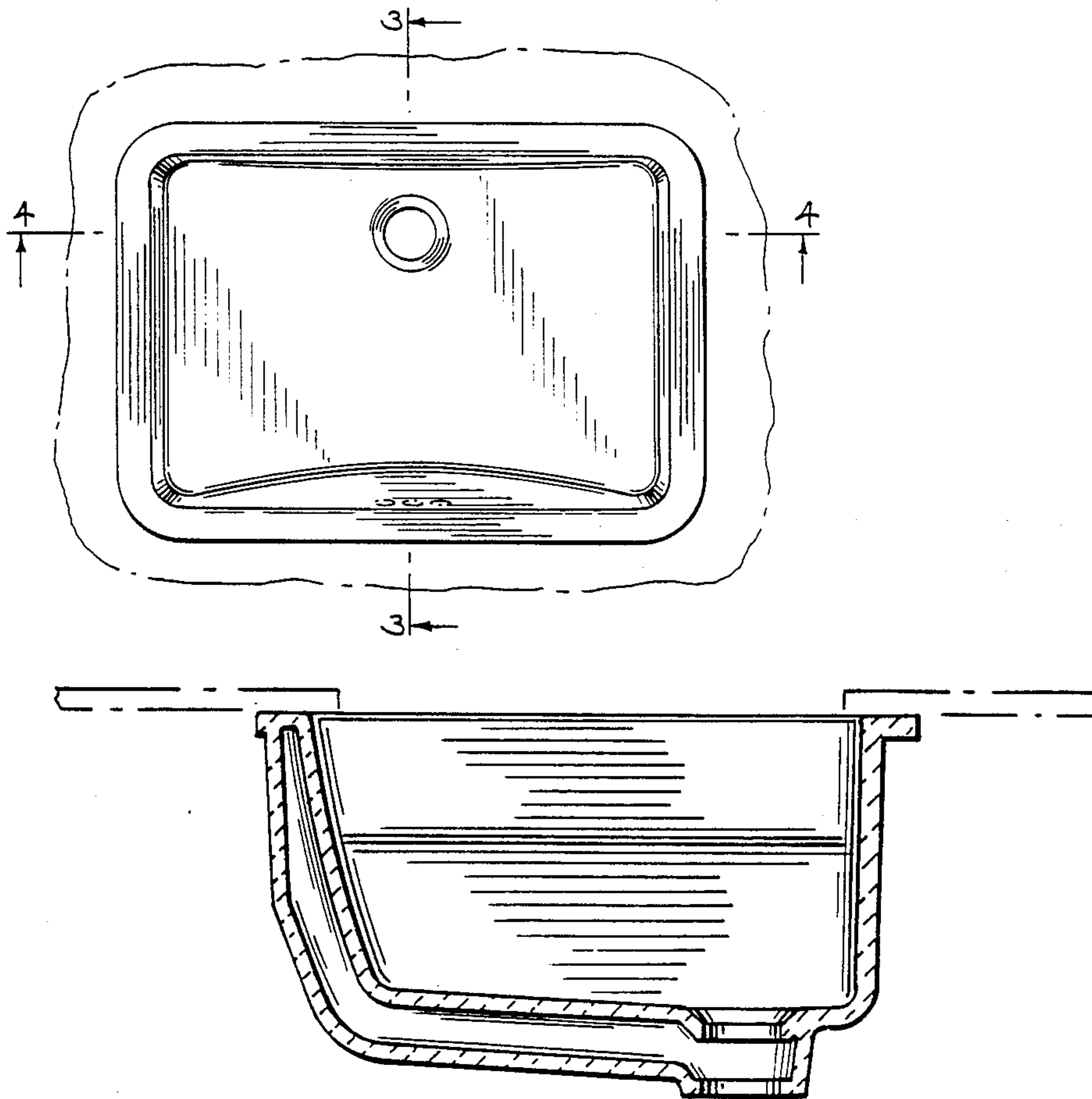
FIG. 3 is a cross sectional view taken along line 3—3 of FIG. 1;

FIG. 4 is a cross sectional view taken along line 4—4 of FIG. 1;

FIG. 5 is a top plan view of a modified form of the lavatory shown in FIG. 1; and

FIG. 6 is a top plan view of a second modified form of the lavatory shown in FIG. 1.

The broken line representation of a counter top of FIGS. 1, 3 and 4 and overflow holes in FIGS. 1, 5 and 6 are for purposes of illustration only.



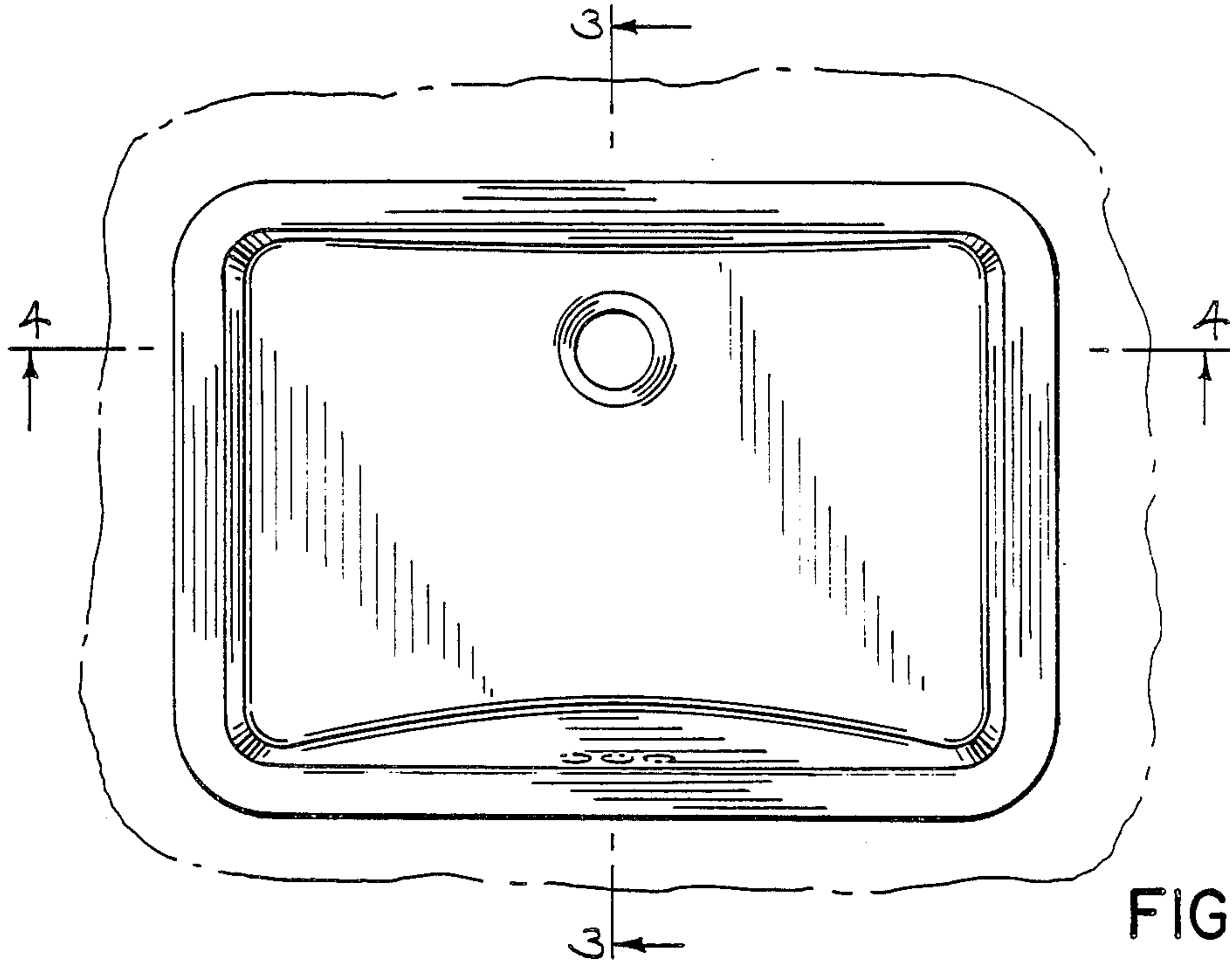


FIG. 1

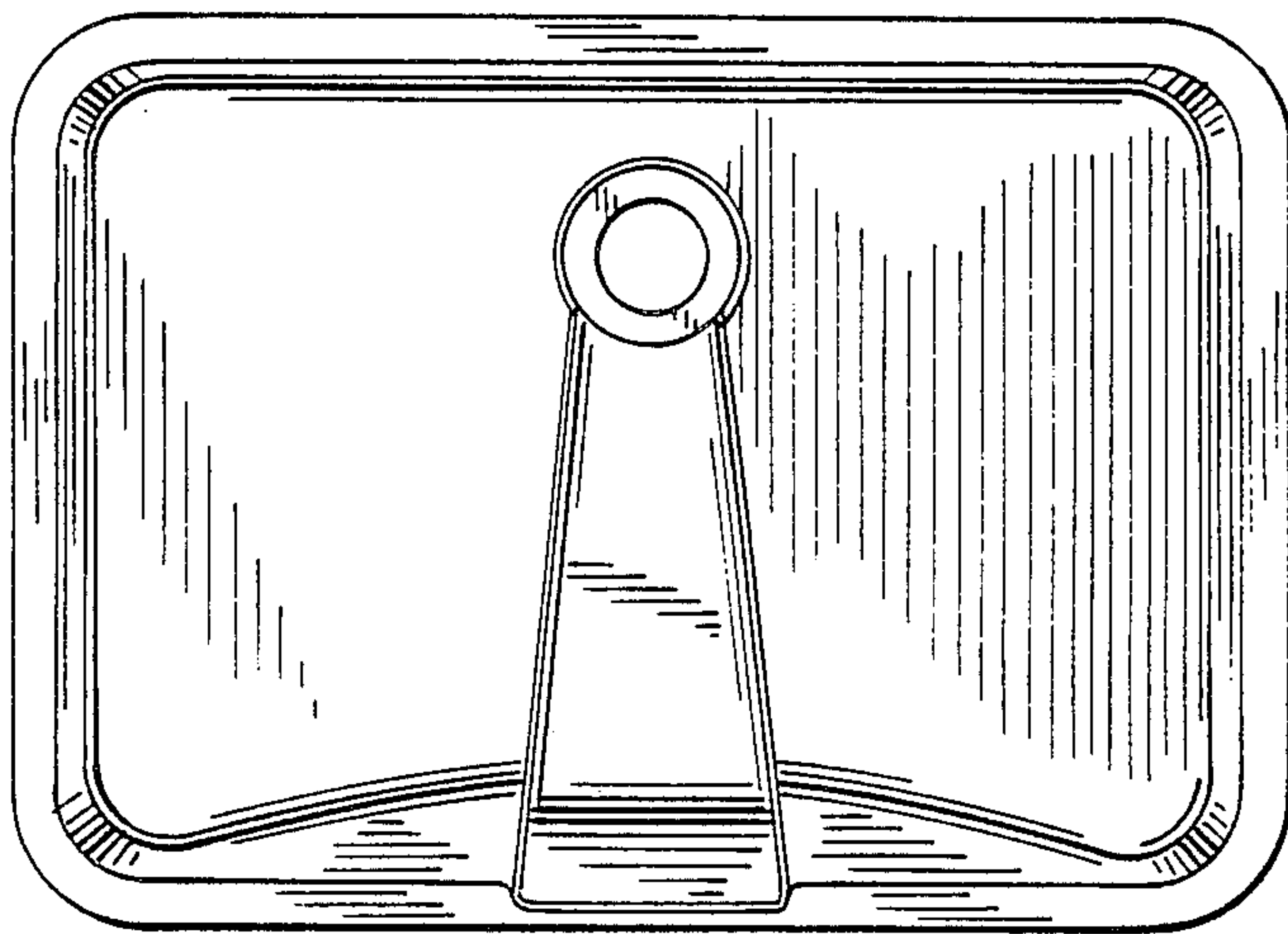


FIG. 2

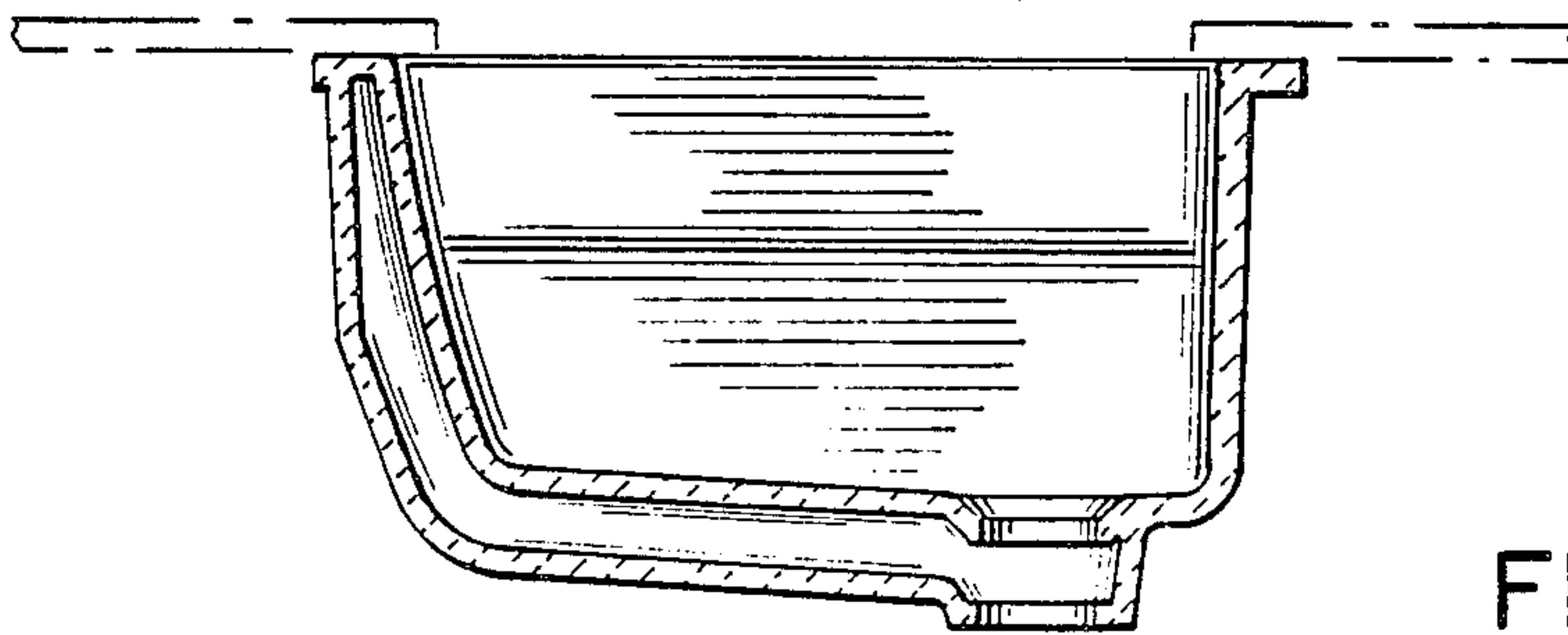


FIG. 3

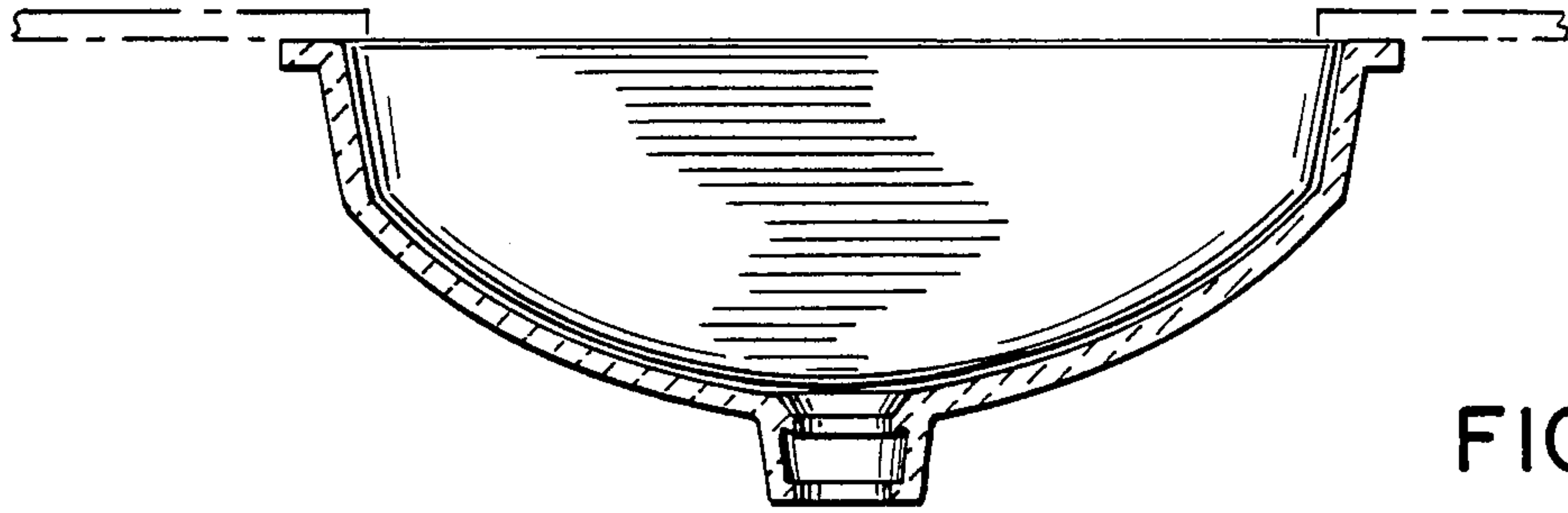


FIG. 4

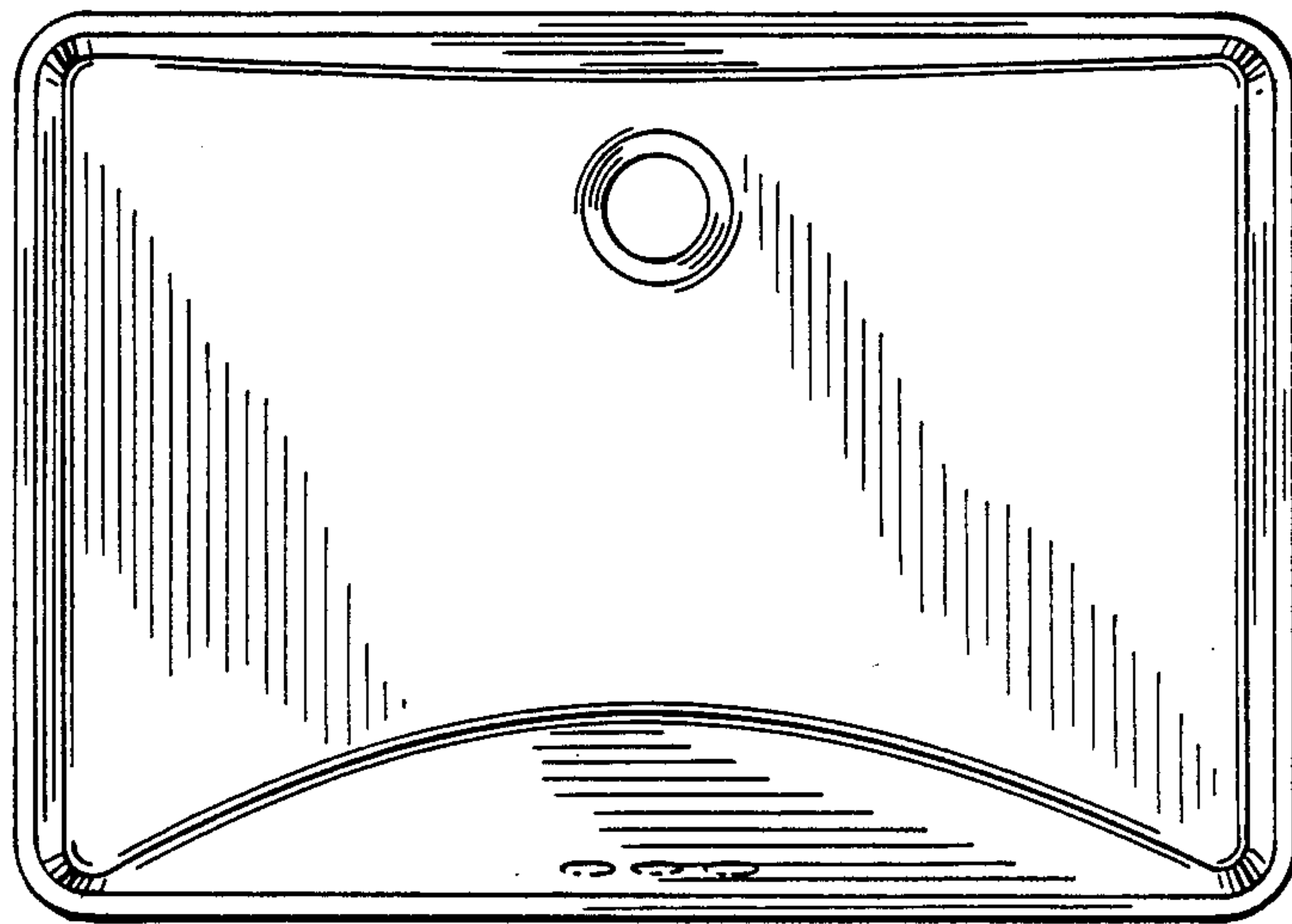


FIG. 5

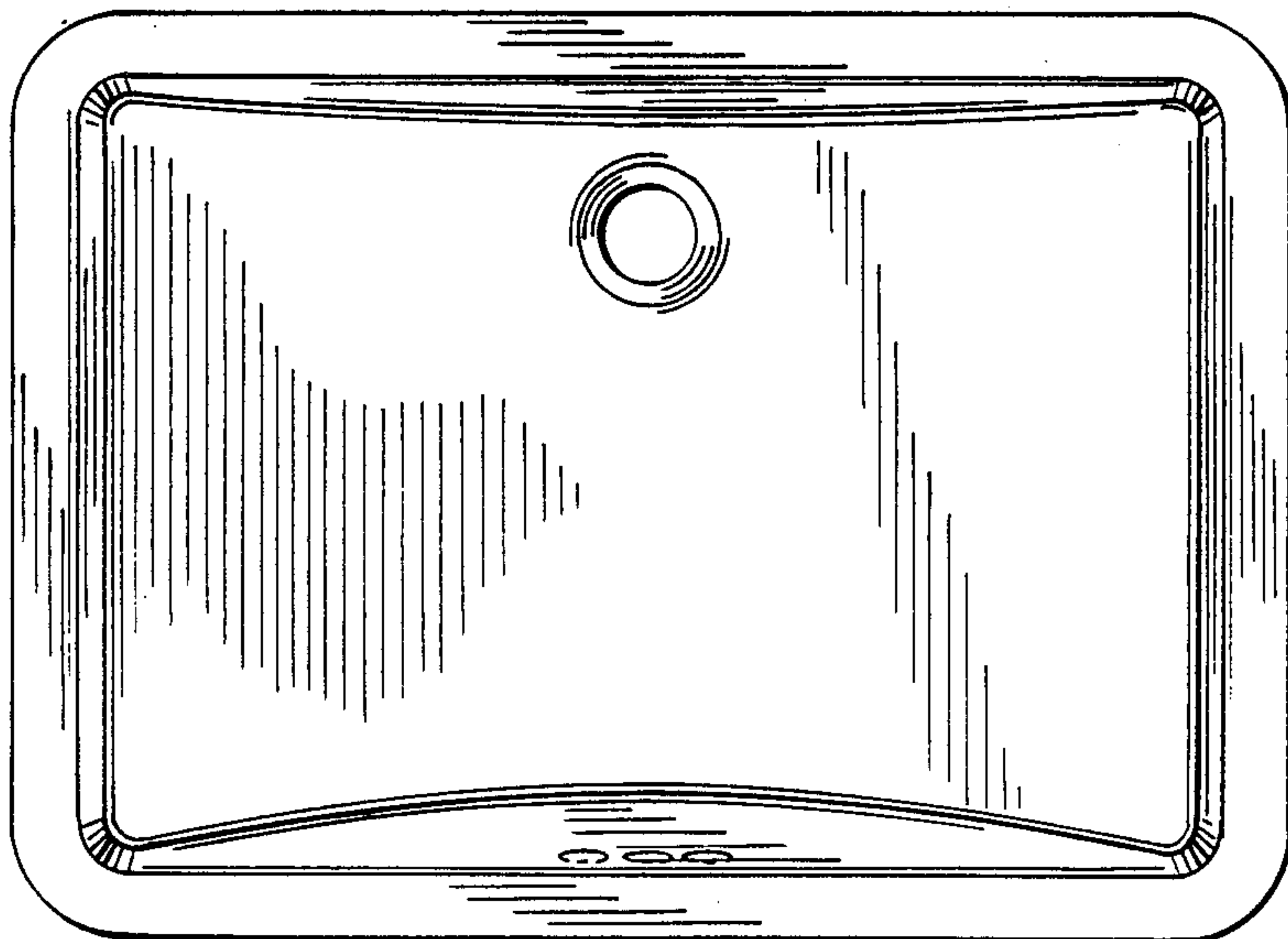


FIG. 6