

[54] LAVATORY

[75] Inventor: Paul P. Kolada, Bexley, Ohio

[73] Assignee: Kohler Co., Kohler, Wis.

[**] Term: 14 Years

[21] Appl. No.: 888,506

[22] Filed: Jul. 23, 1986

[52] U.S. Cl. D23/294

[58] Field of Search D23/284-294;
4/619, 639-643, 650, 651

[56] References Cited

U.S. PATENT DOCUMENTS

D. 149,632	5/1948	Green	D23/294
D. 169,348	4/1953	Young	D23/294
D. 177,587	5/1956	Ponti	D23/294
D. 191,391	9/1961	Phillips, Jr.	D23/294
D. 193,167	7/1962	Chapman	D23/294
D. 194,021	11/1962	Chapman	D23/294
D. 236,831	9/1975	Myers	D23/294
D. 273,979	5/1984	Stairs, Jr.	D23/294
D. 274,642	7/1984	Domam	D23/294

OTHER PUBLICATIONS

A page from an Austrovit ad, undated, admitted prior art, showing inter alia the "Spital".

A page from a Doulton ad, undated, admitted prior art, showing inter alia the "Sovereign".

Pages 8-9, 8-20, 8-23, 8-24, 8-21, 8-25 and 14-10 from

the Kohler "K-400 catalog", dated 1985, admitted prior art.

Pages 4 and 6 of a Keramag brochure, undated, admitted prior art, showing inter alia the "Pepita", Ariane and Rimone.

Primary Examiner—James R. Largen
Attorney, Agent, or Firm—Quarles & Brady

[57] CLAIM

The ornamental design for a lavatory, as shown and described.

DESCRIPTION

FIG. 1 is a top perspective view of a lavatory showing my new design;

FIG. 2 is a top plan view thereof;

FIG. 3 is a front elevational view thereof;

FIG. 4 is a right side elevational view thereof, the left side being the mirror image of the right side;

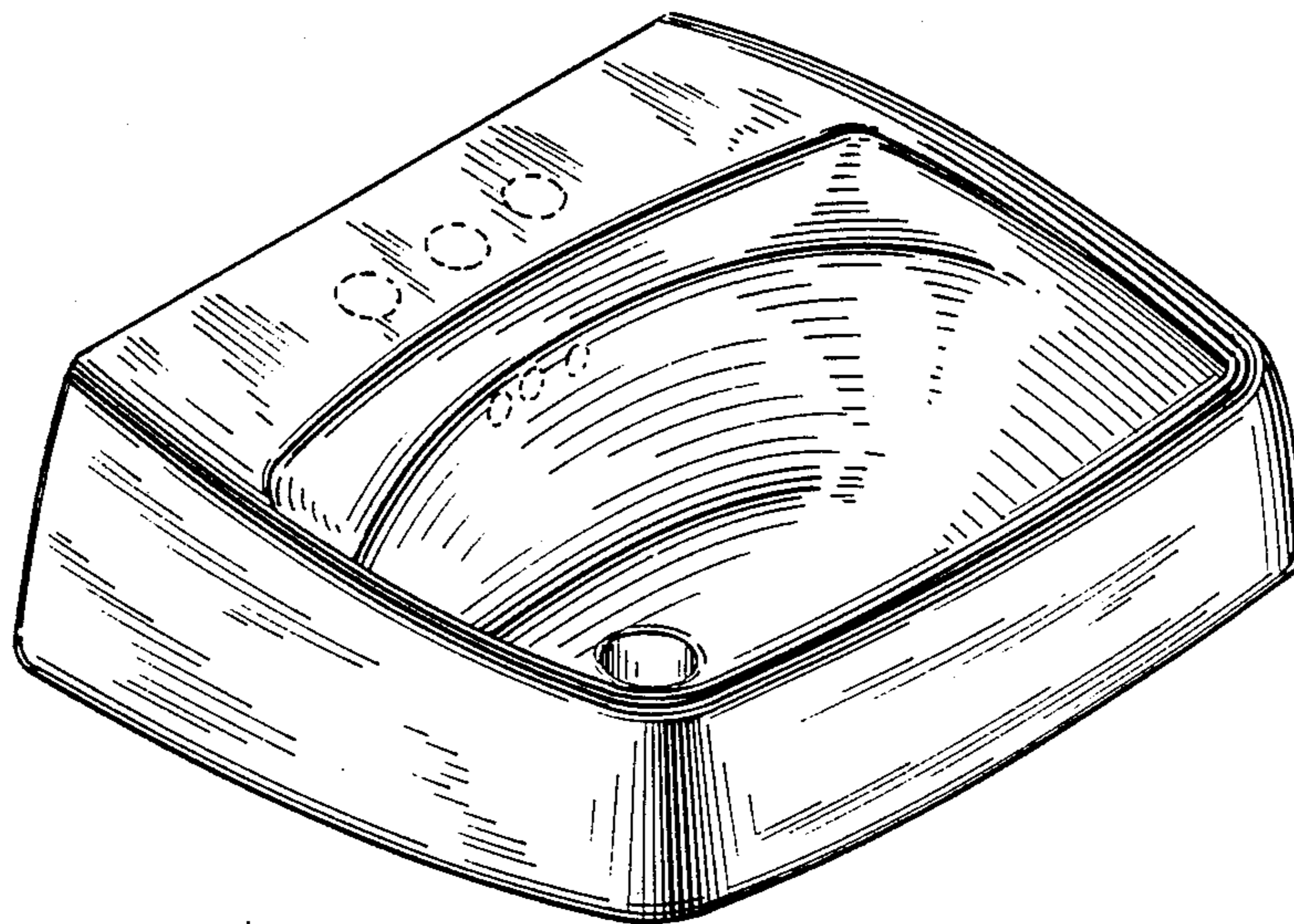
FIG. 5 is a bottom plan view thereof;

FIG. 6 is a rear elevational view thereof;

FIG. 7 is a cross sectional view taken along line 7-7 of FIG. 2; and

FIG. 8 is a cross sectional view taken along line 8-8 of FIG. 2.

The broken line representation of fitting and overflow holes in FIGS. 1, 2, 5 and 7 are for purposes of illustration only.



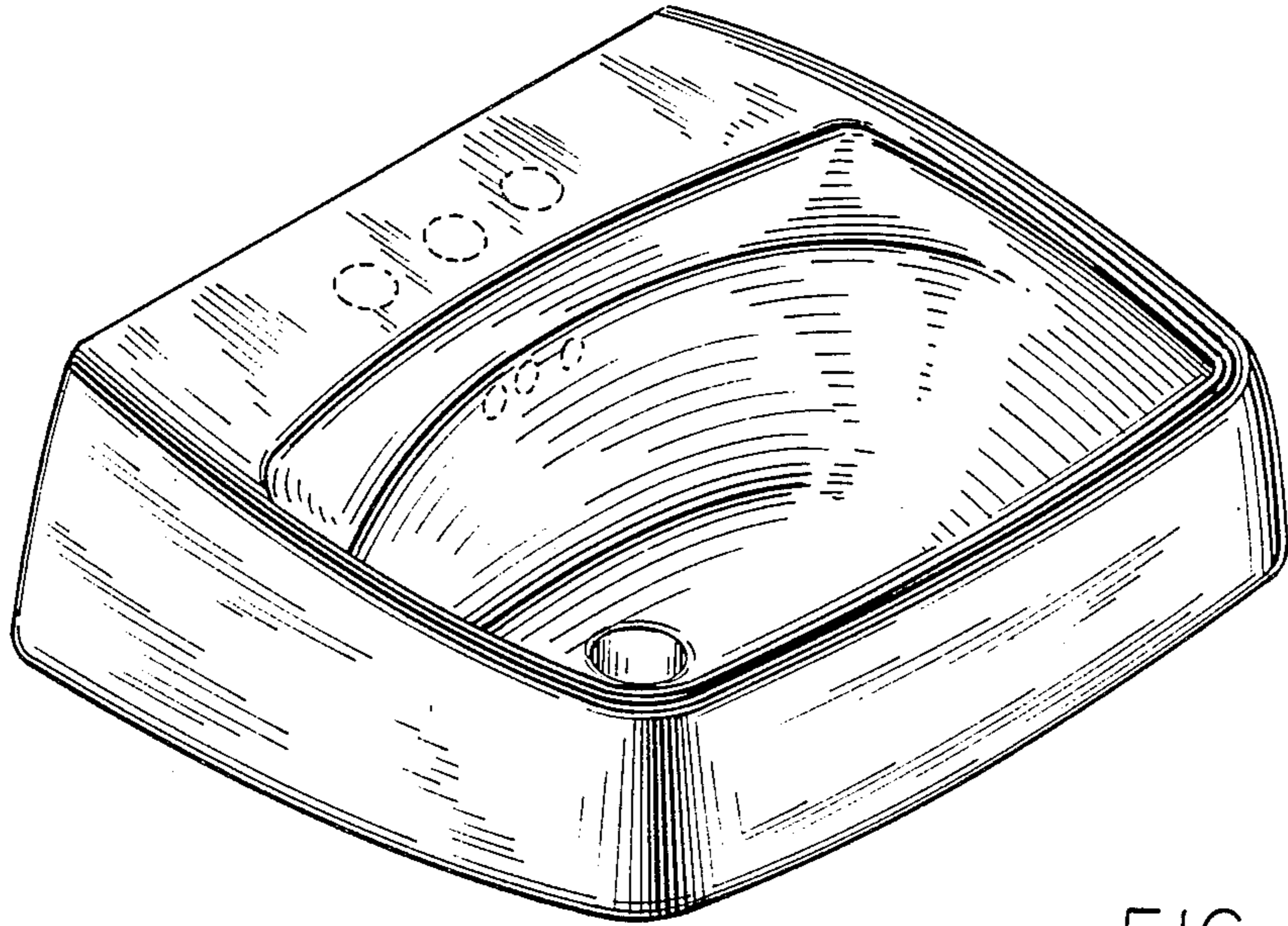


FIG. 1

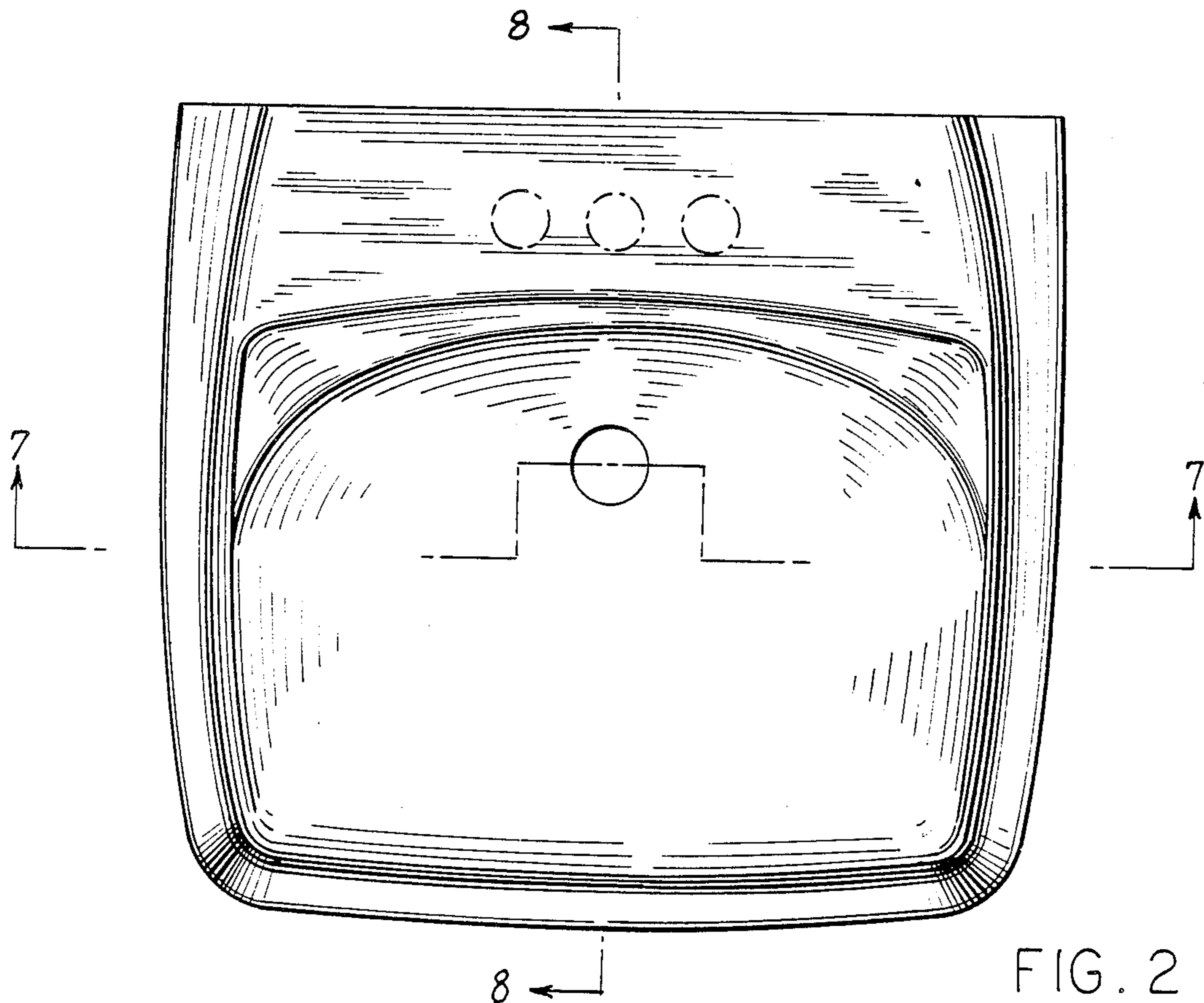


FIG. 2

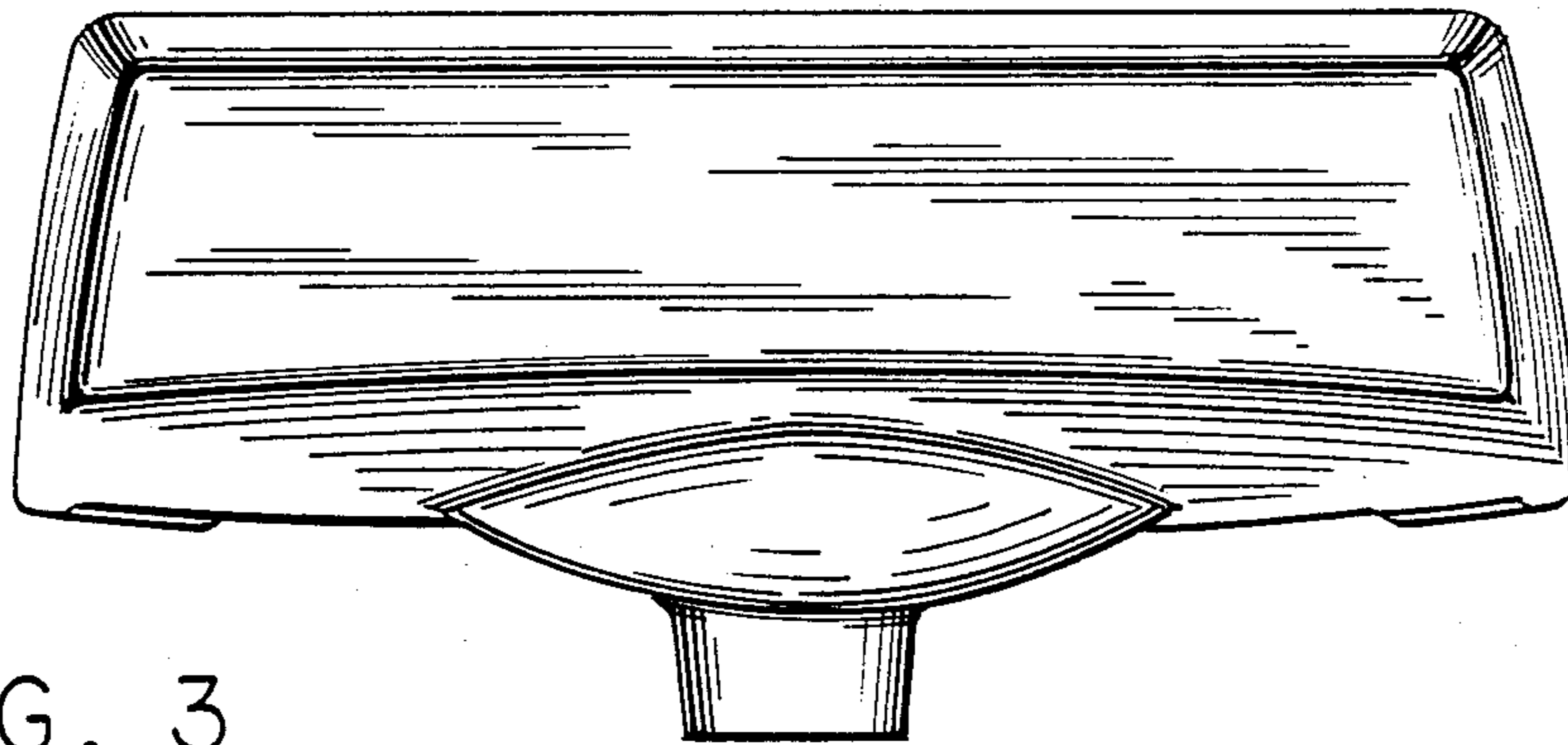


FIG. 3

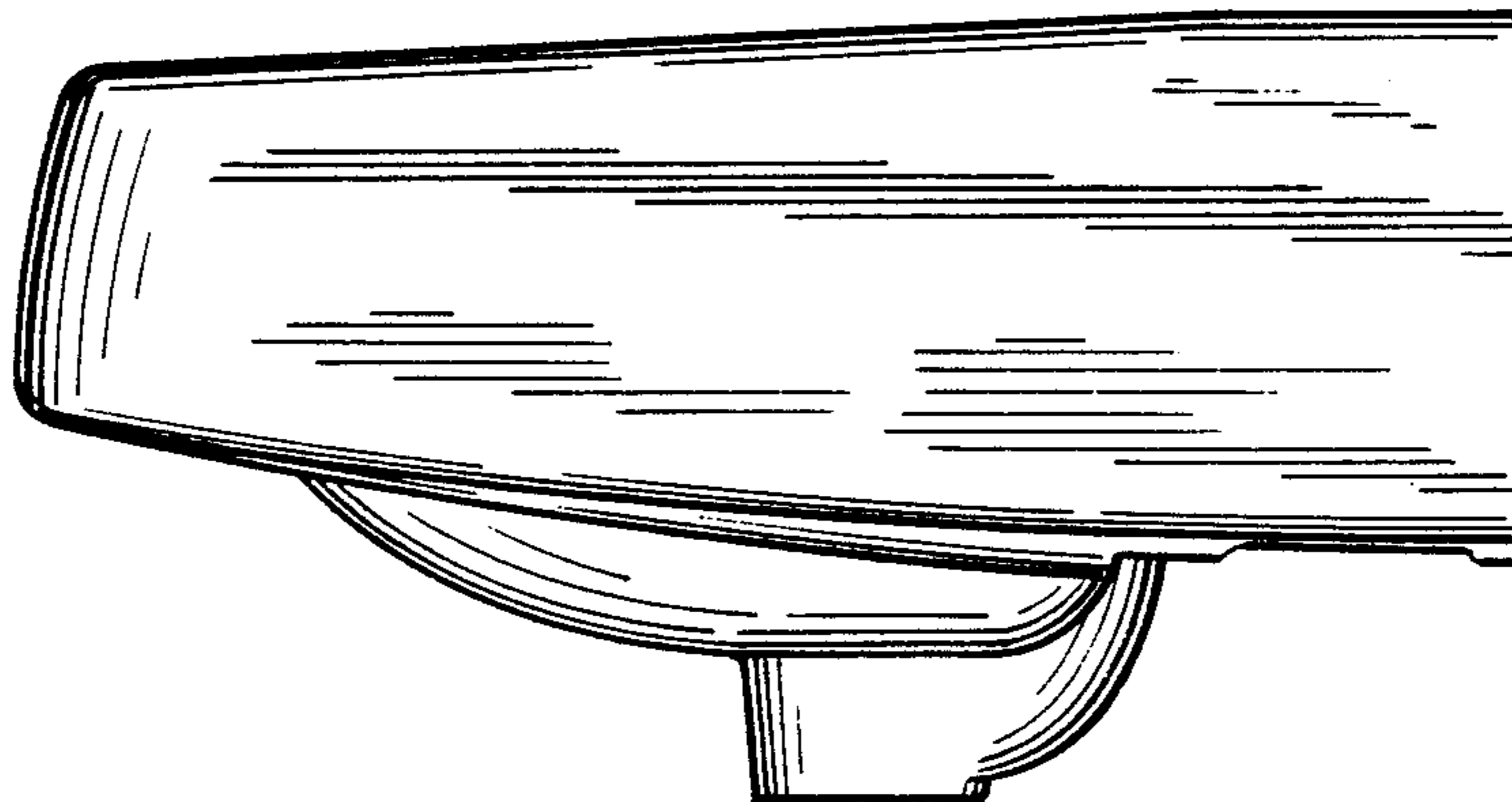


FIG. 4

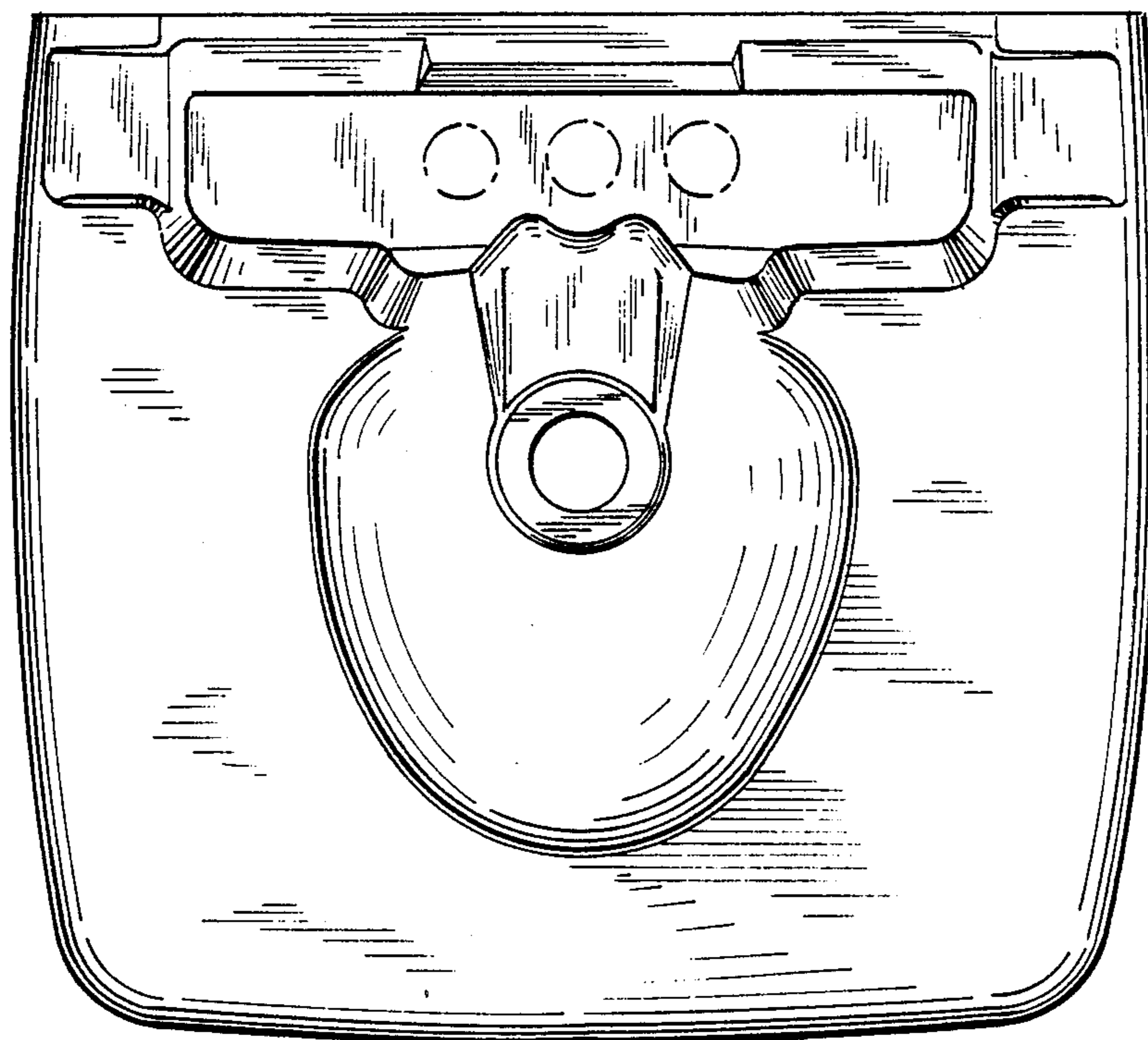


FIG. 5

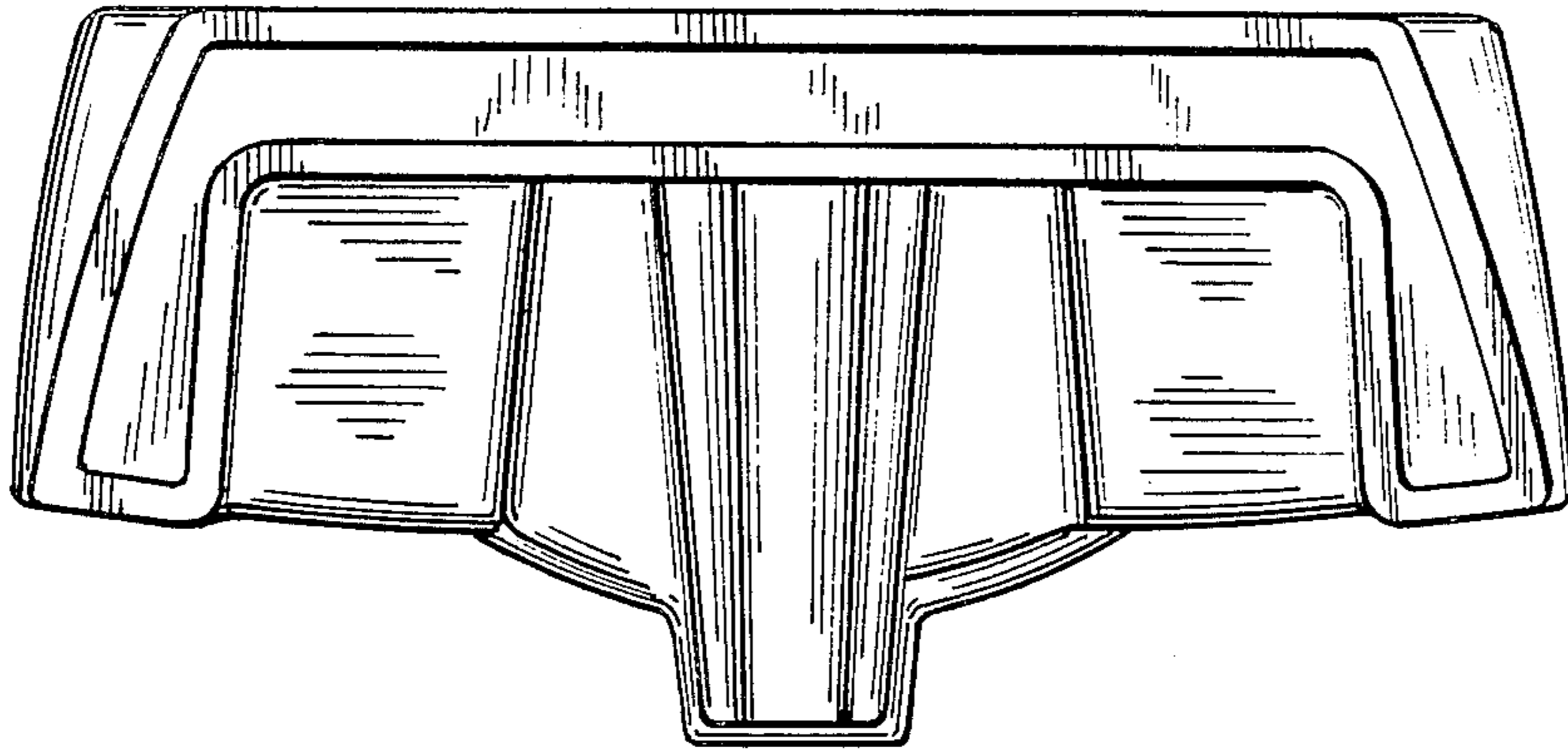


FIG. 6

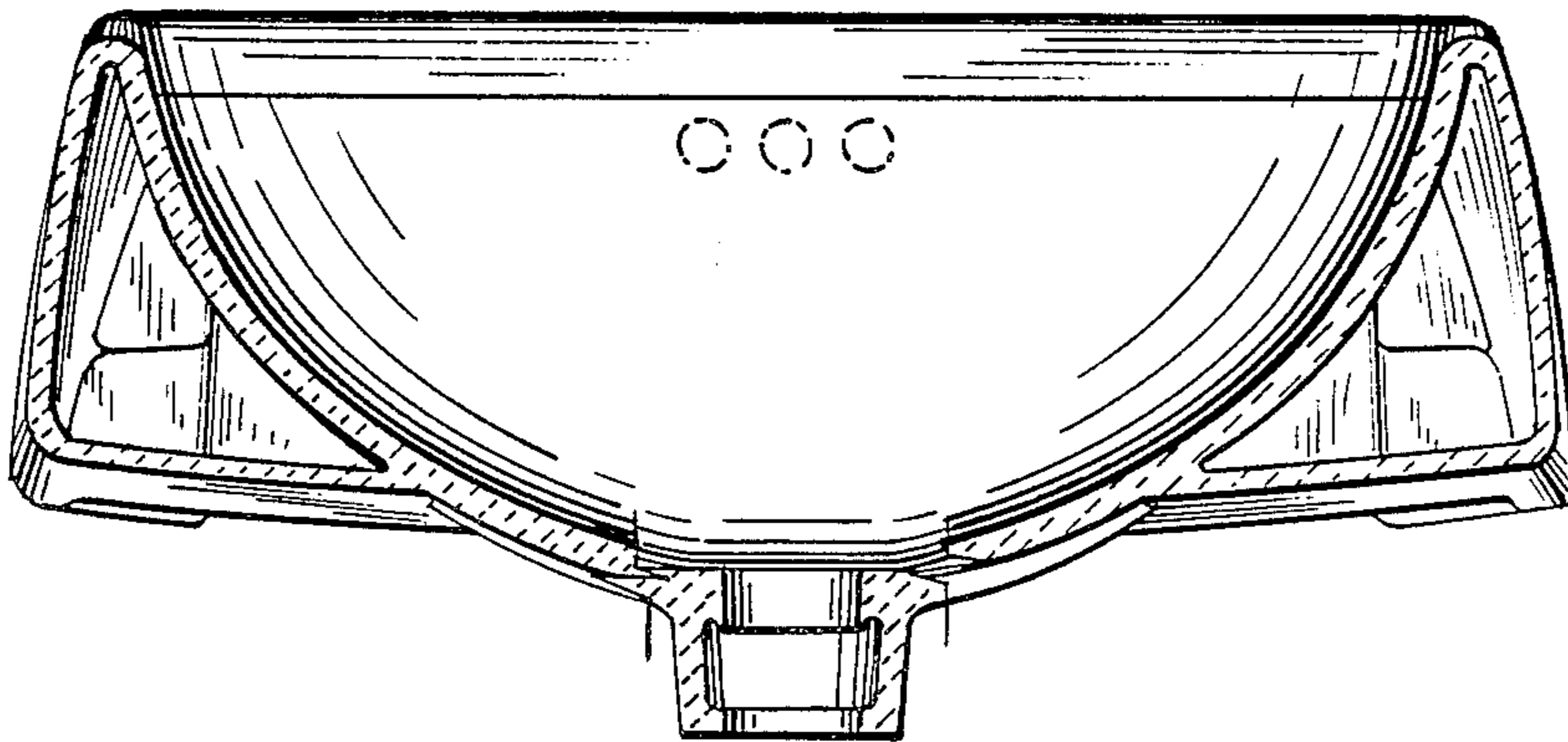


FIG. 7

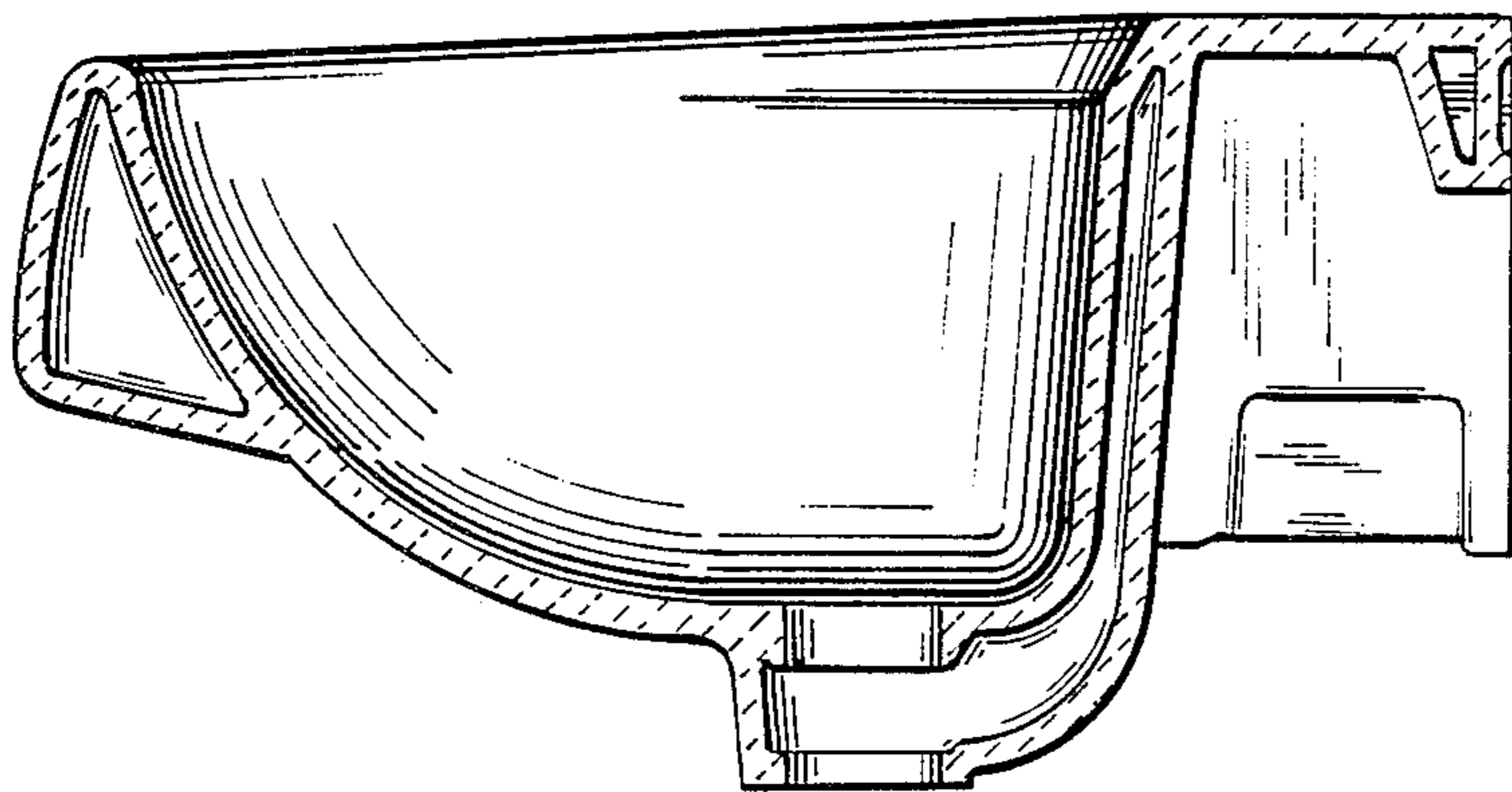


FIG. 8