

[54] COVERED WELL FOR BATHTUBS

[76] Inventor: Harvey E. Diamond, 12953 Woodbridge St., Studio City, Calif. 91604

[**] Term: 14 Years

[21] Appl. No.: 947,951

[22] Filed: Dec. 29, 1986

D. 278,741	5/1985	Kaiser	D23/55
D. 288,350	2/1987	Diamond	D23/55
4,446,586	5/1984	Reed et al.	4/555
4,575,882	3/1986	Diamond	4/559

Primary Examiner—James R. Largen
Attorney, Agent, or Firm—Drucker & Sommers

[57] CLAIM

The ornamental design for a covered well for bathtubs, as shown and described.

DESCRIPTION

FIG. 1 is a perspective view of a covered well for bathtubs showing my new design; FIG. 2 is an enlarged perspective view taken on line 2—2 of FIG. 1 with the cover in an open position; and FIG. 3 is a perspective view taken on line 3—3 of FIG. 2 with the cover removed. The broken line showing of a bathtub in FIG. 1 is for purposes of illustration only and forms no part of the claimed design.

Related U.S. Application Data

- [62] Division of Ser. No. 641,315, Aug. 16, 1984.
- [52] U.S. Cl. D23/281
- [58] Field of Search D23/55, 56, 869

References Cited

U.S. PATENT DOCUMENTS

D. 253,008	9/1979	Guigues	D23/55
D. 276,456	11/1984	Primault	D23/55

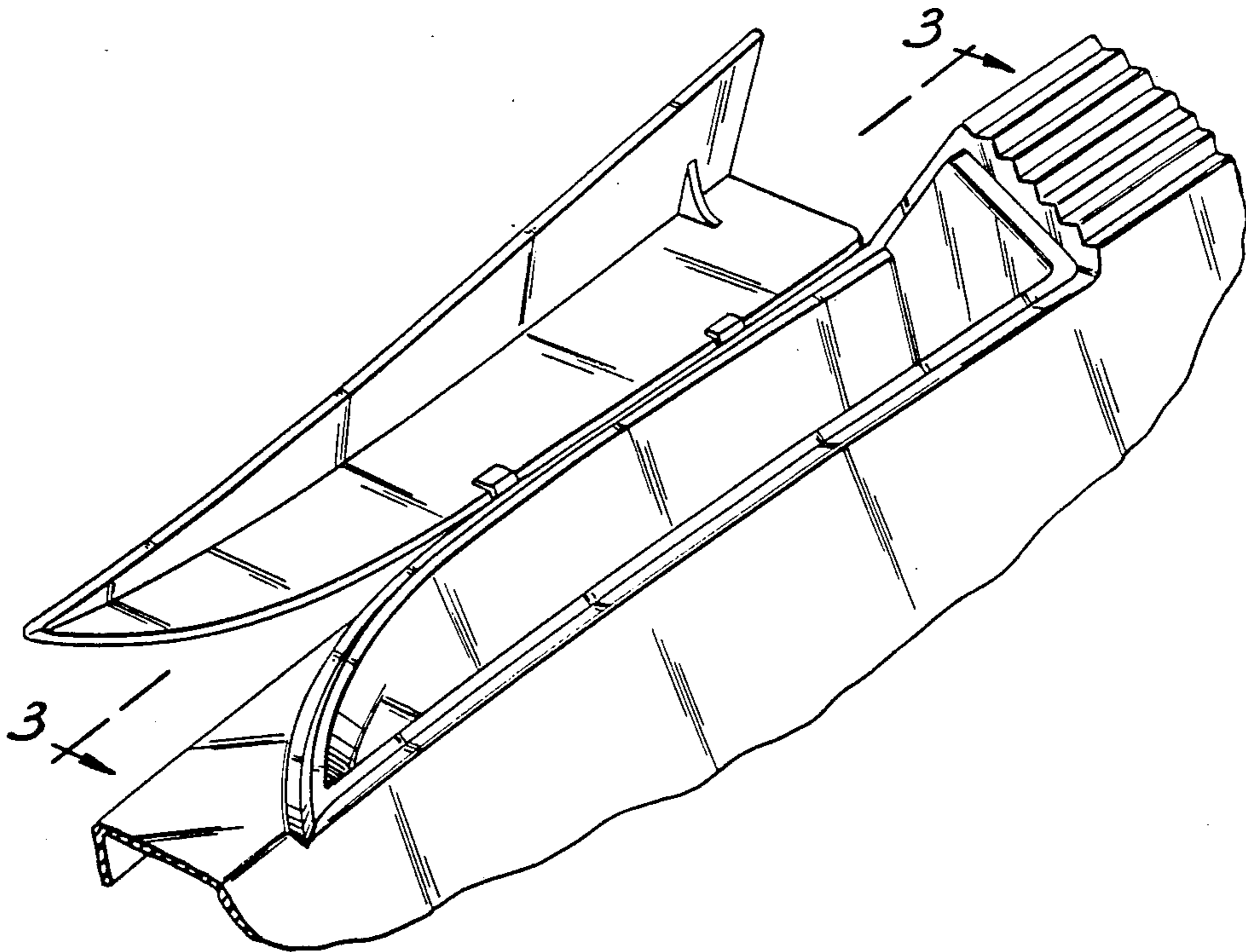


Fig. 1

