

[54] BATHTUB

4,069,523 1/1977 Ridgeway 4/580
4,383,341 5/1983 Altman 4/538 X

[75] Inventor: Kenneth J. Salach, Naperville, Ill.

Primary Examiner—James R. Largen
Attorney, Agent, or Firm—Ronald A. Sandler; Timothy
T. Patula

[73] Assignee: National Fiber Glass Products, Div.
of G.K.L. Corp., Romeoville, Ill.

[**] Term: 14 Years

[57] CLAIM

[21] Appl. No.: 754,090

The ornamental design for a bathtub, as shown and
described.

[22] Filed: Jul. 12, 1985

[52] U.S. Cl. D23/277

[58] Field of Search D23/277-282;
4/538, 576, 577, 587

DESCRIPTION

[56] References Cited

U.S. PATENT DOCUMENTS

D. 107,330	12/1967	Zinkil	D23/277
D. 230,851	3/1974	Edwards	D23/277
D. 233,756	11/1974	Schrock	D23/277
D. 235,446	6/1975	Korol	D23/277
D. 253,547	11/1979	Beddome et al.	D23/281
D. 276,456	11/1984	Primault	D23/281
D. 277,306	1/1985	Lax	D23/277
D. 282,963	3/1986	Alger	D23/277
2,168,079	8/1939	Zinkil	4/590

FIG. 1 is a top plan view of a bathtub showing my new
design;
FIG. 2 is a perspective view taken from the top, front
and right end thereof;
FIG. 3 is another perspective view taken from the top
and right end thereof;
FIG. 4 is a front elevational view thereof;
FIG. 5 is a left end elevational view thereof;
FIG. 6 is a rear elevational view thereof;
FIG. 7 is a right end elevational view thereof;
FIG. 8 is a front elevational view of a modified form of
the bathtub shown in FIG. 1;
FIG. 9 is a left end elevational view of FIG. 8; and
FIG. 10 is a right end elevational view of FIG. 8.

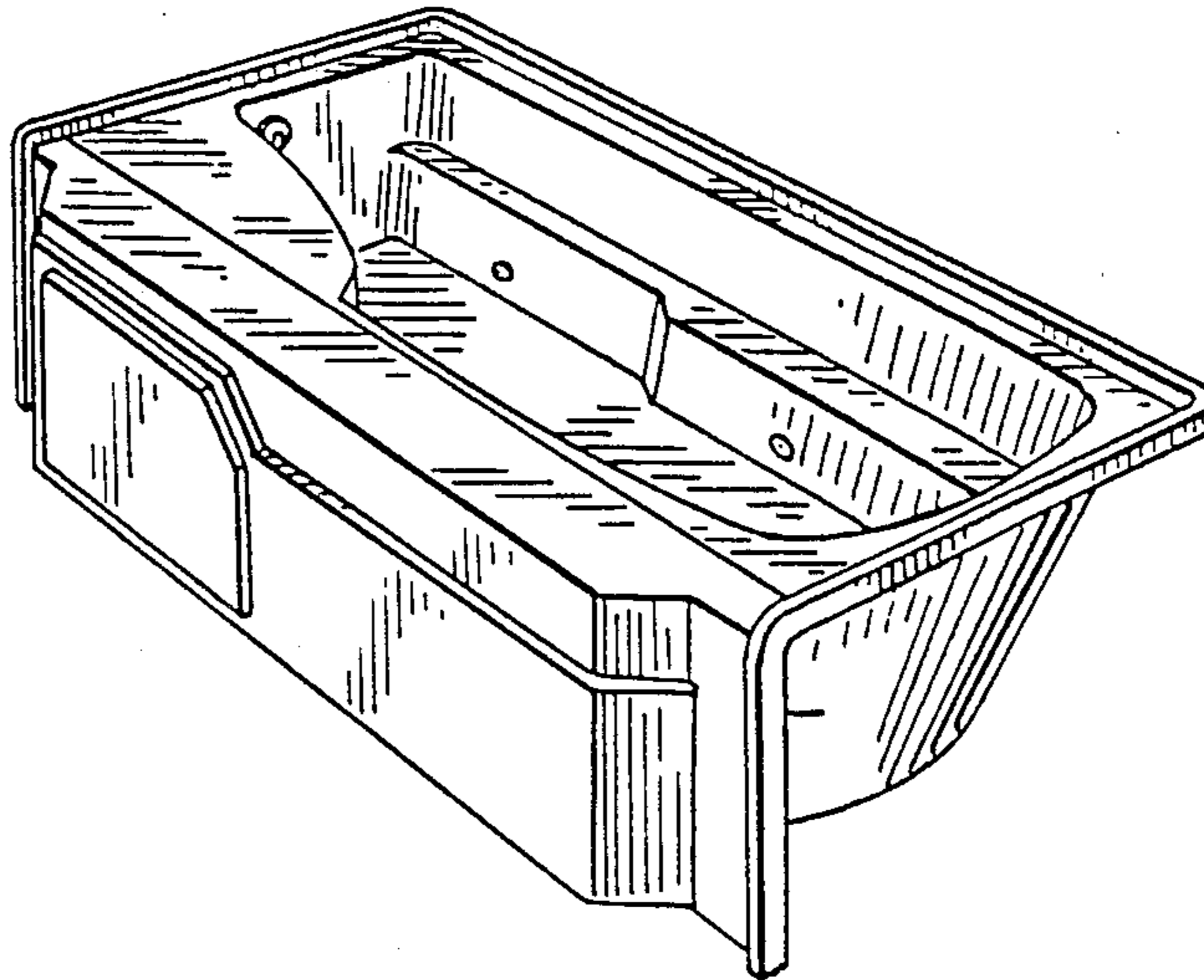


FIG. 1

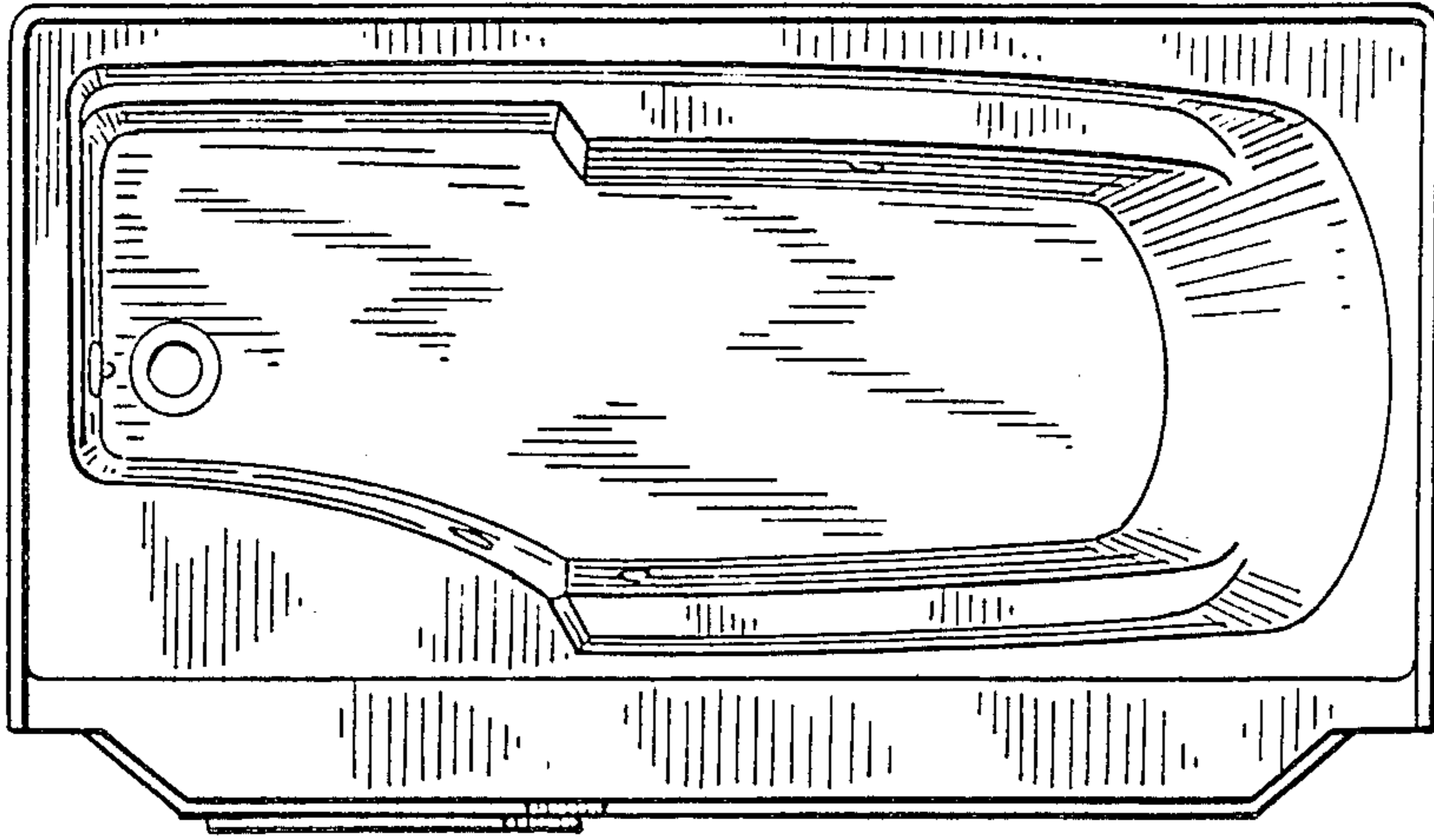


FIG. 2

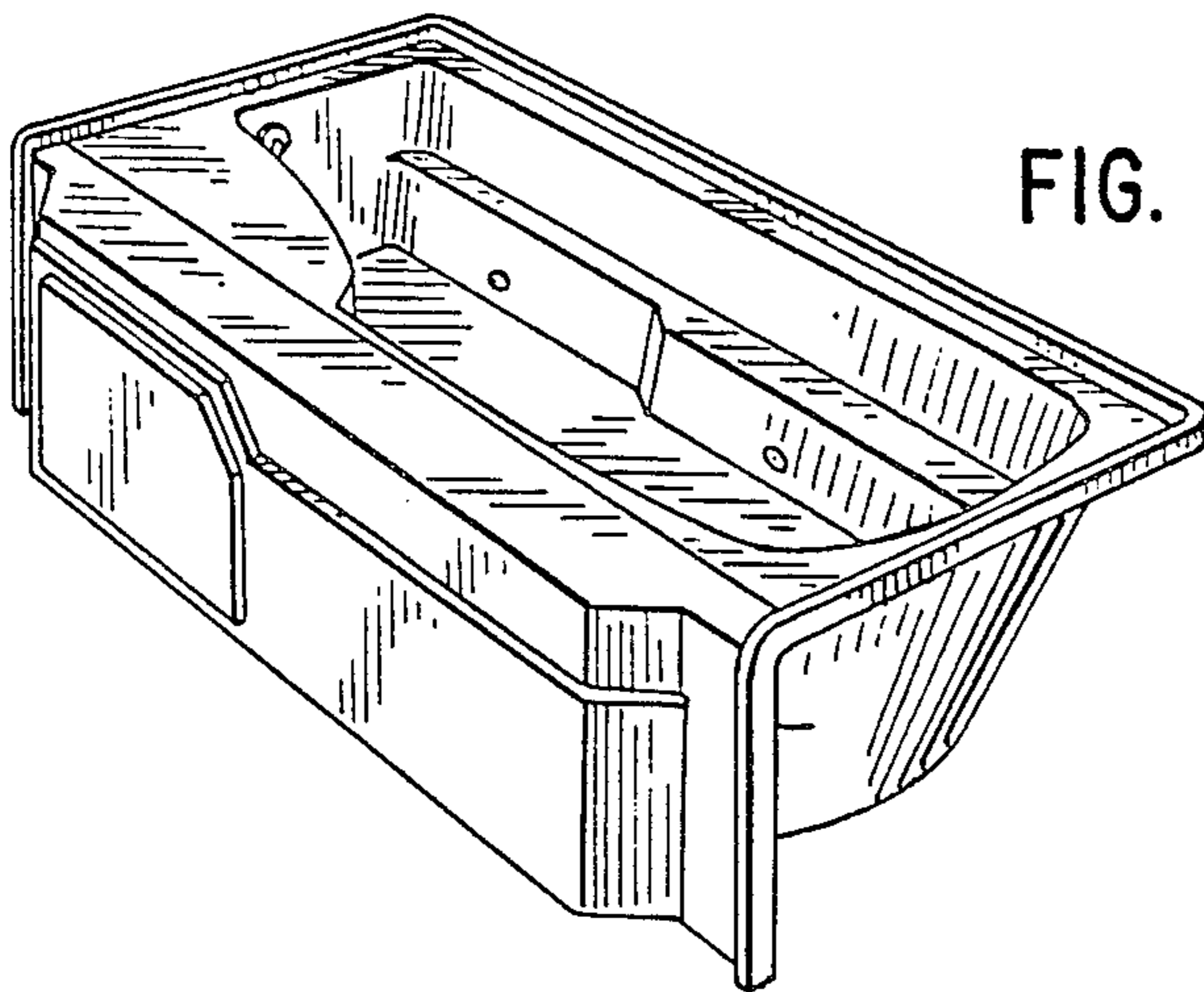
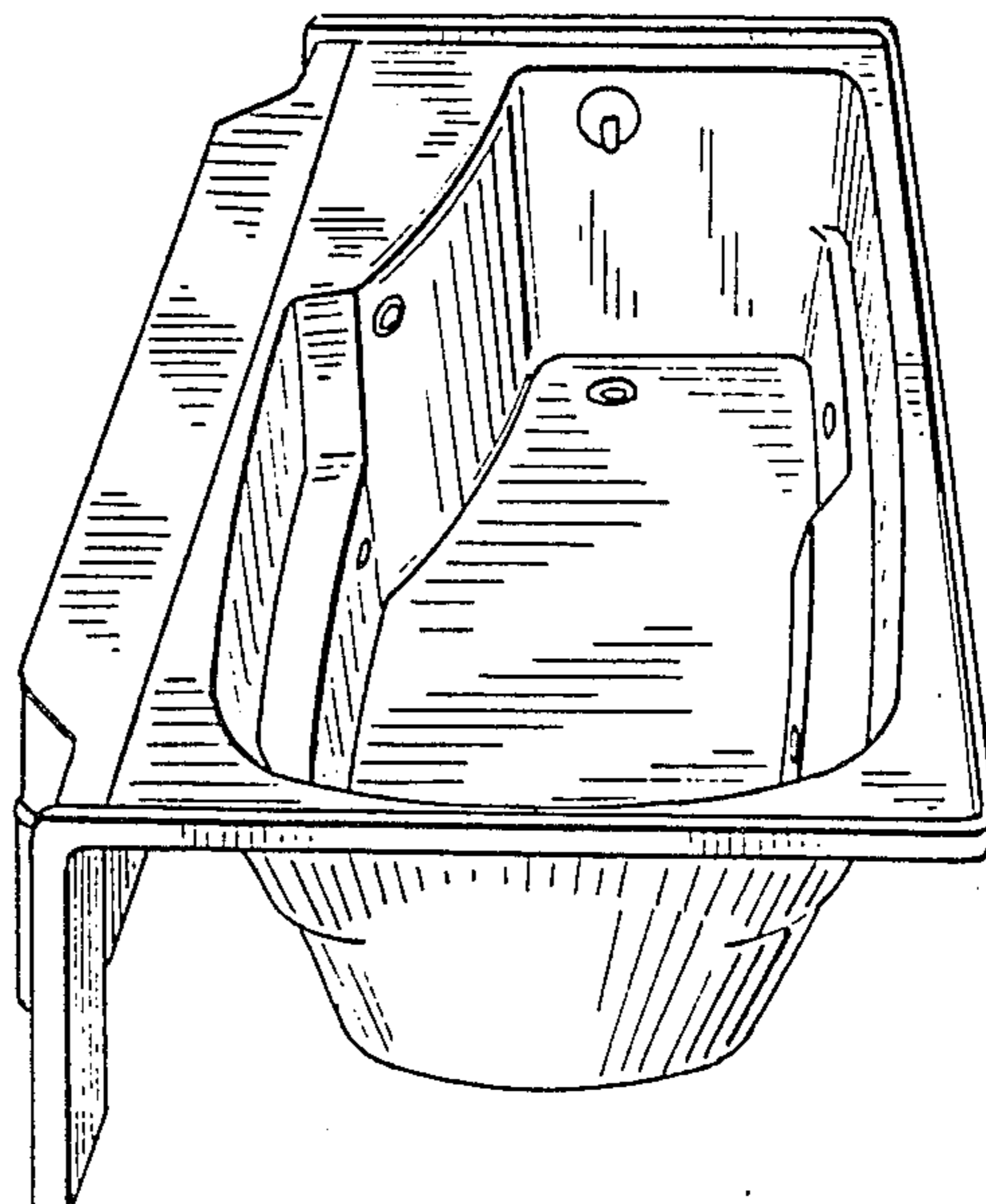


FIG. 3



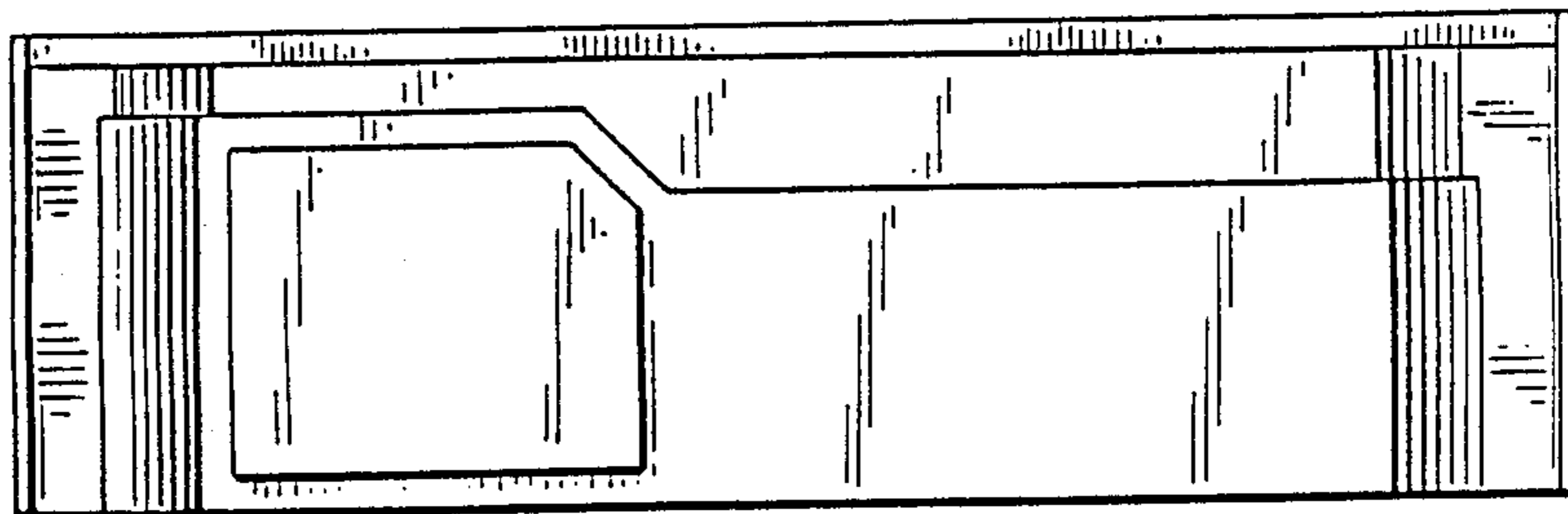


FIG. 4

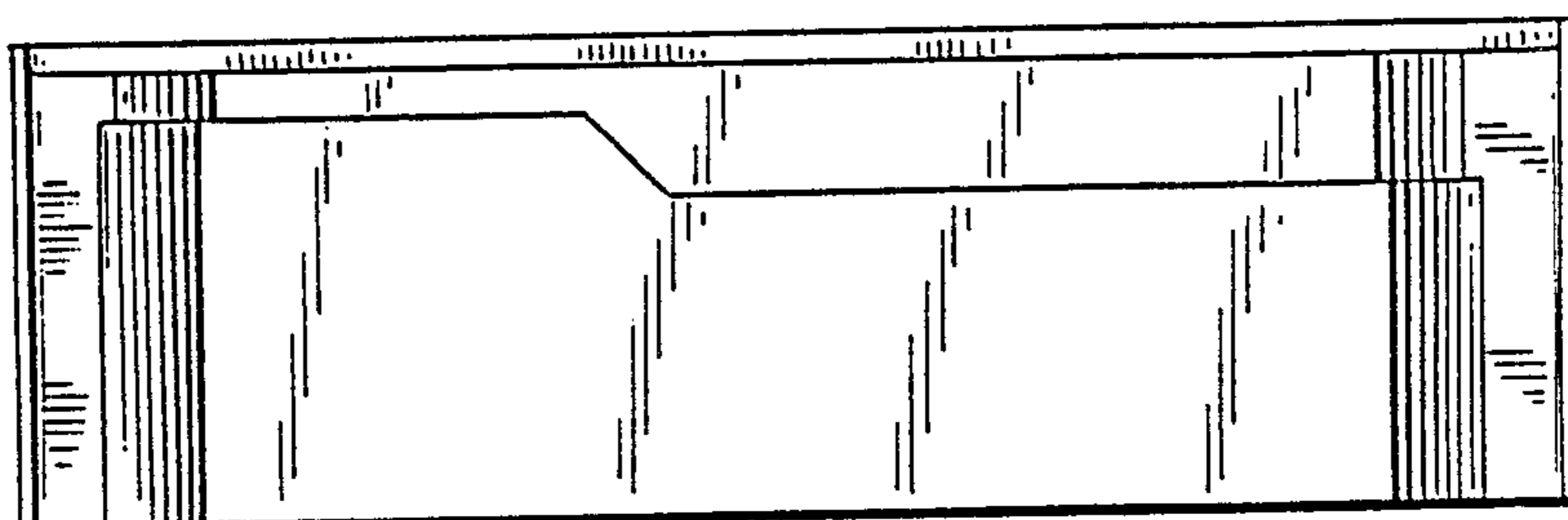


FIG. 8

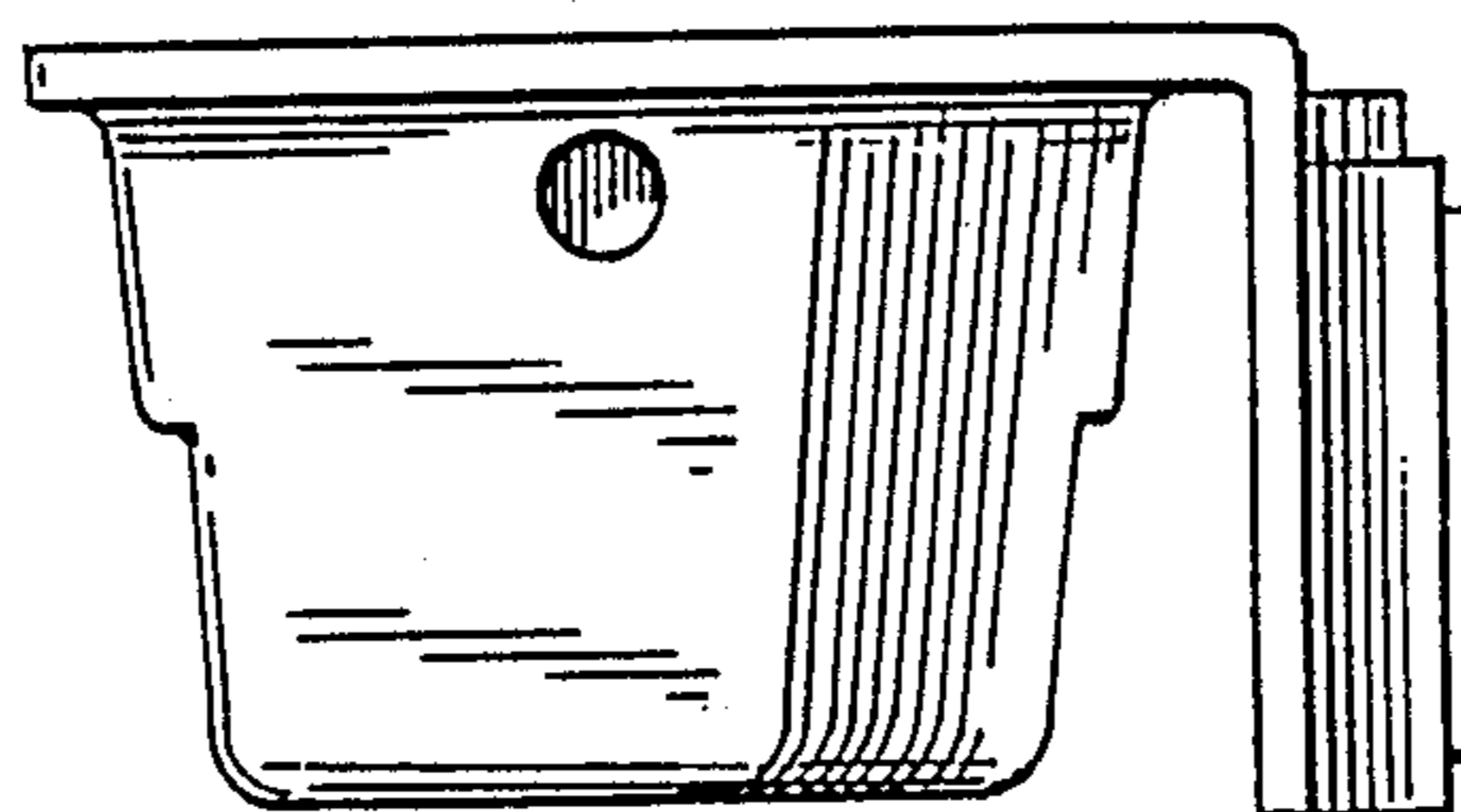


FIG. 5

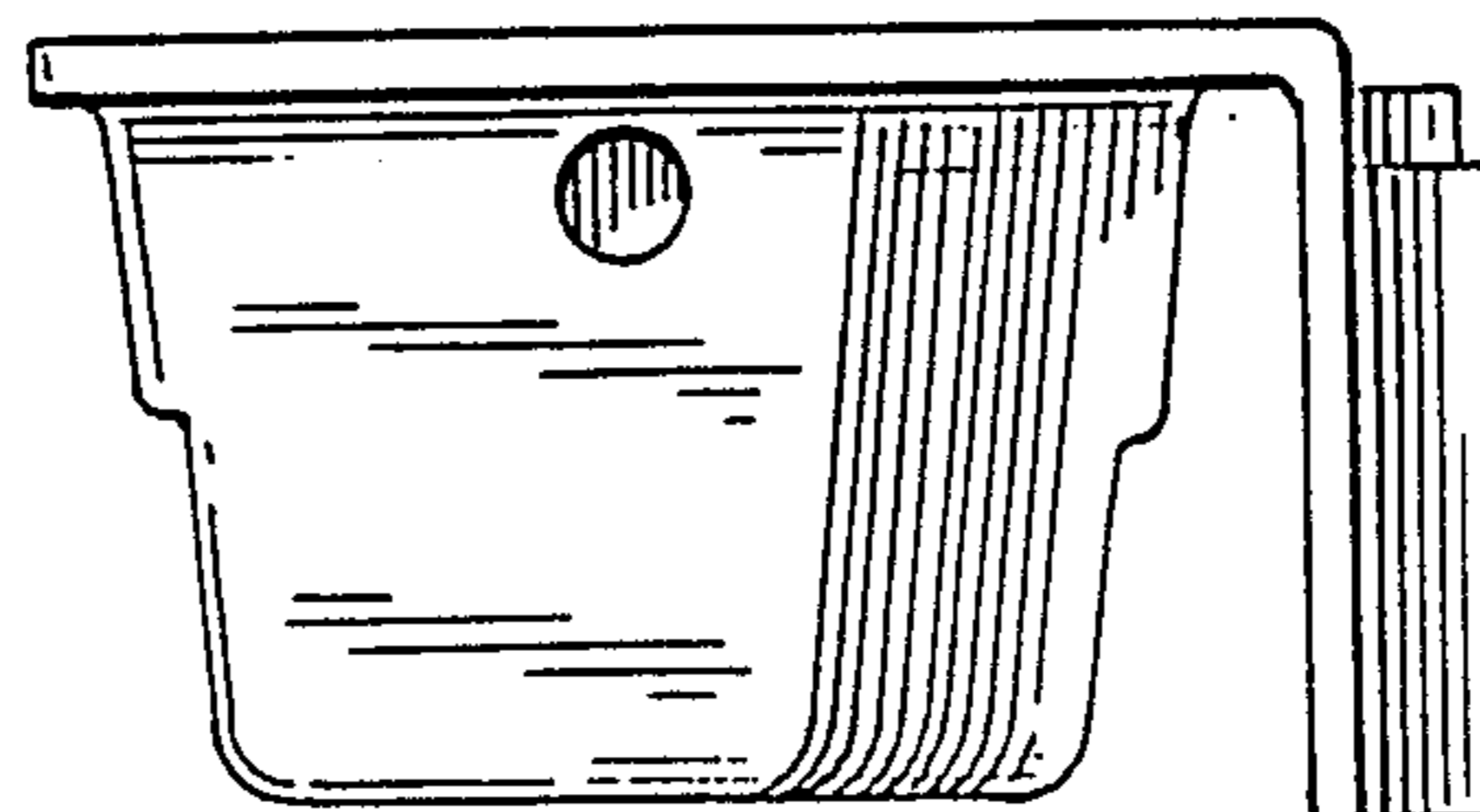


FIG. 9

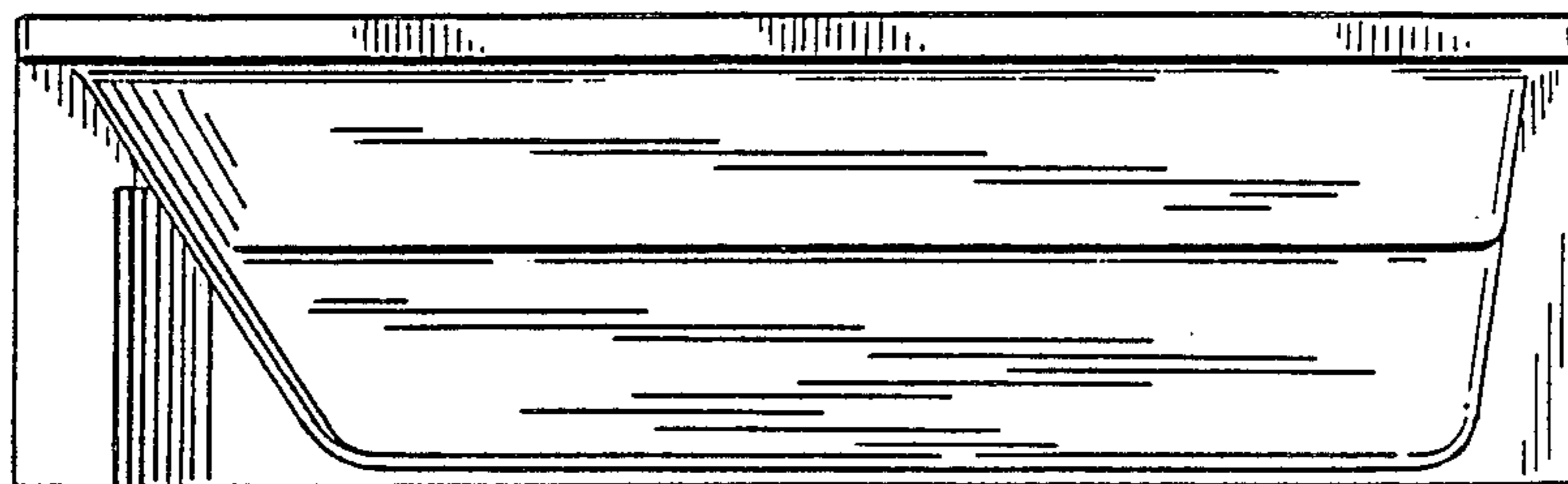


FIG. 6

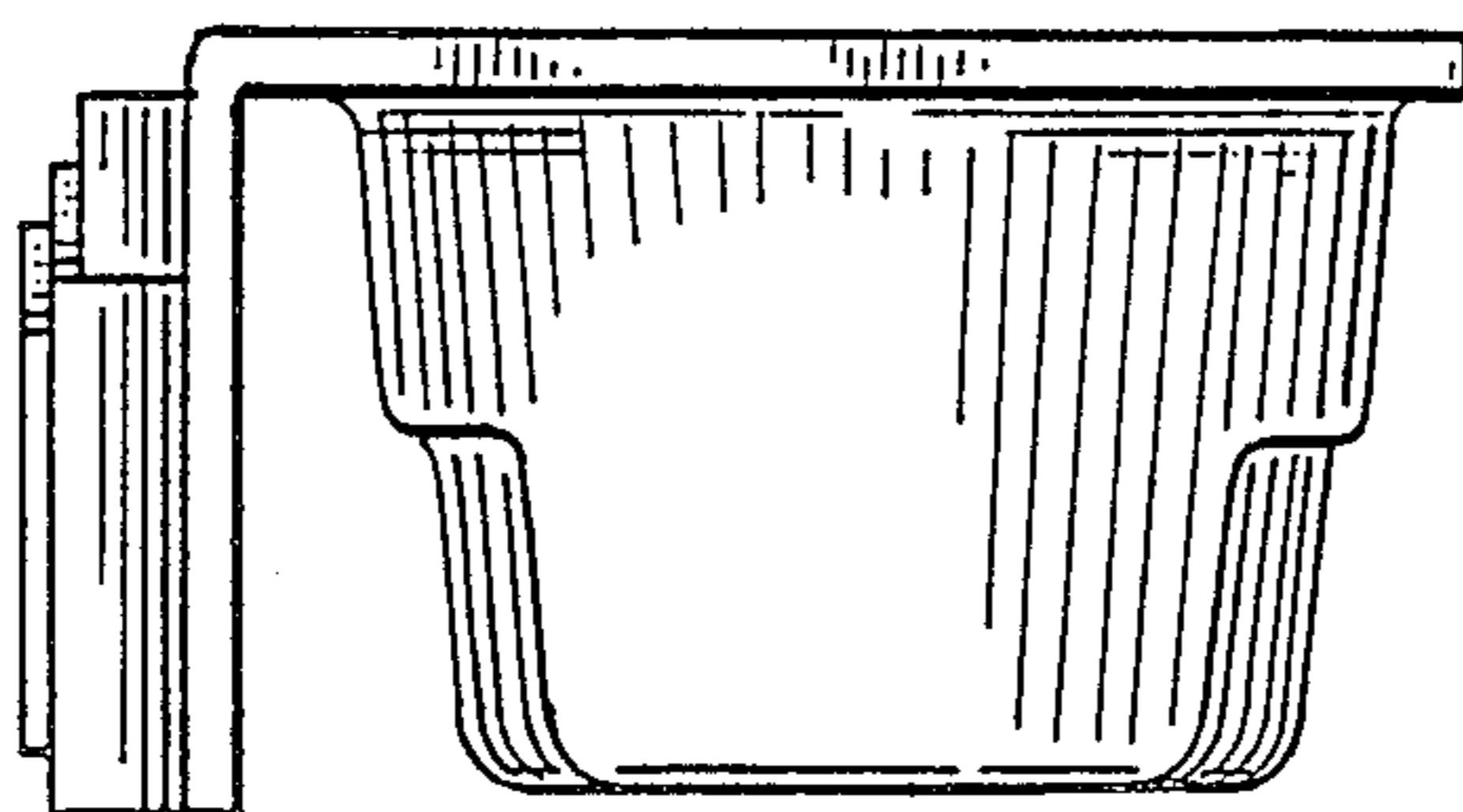


FIG. 7

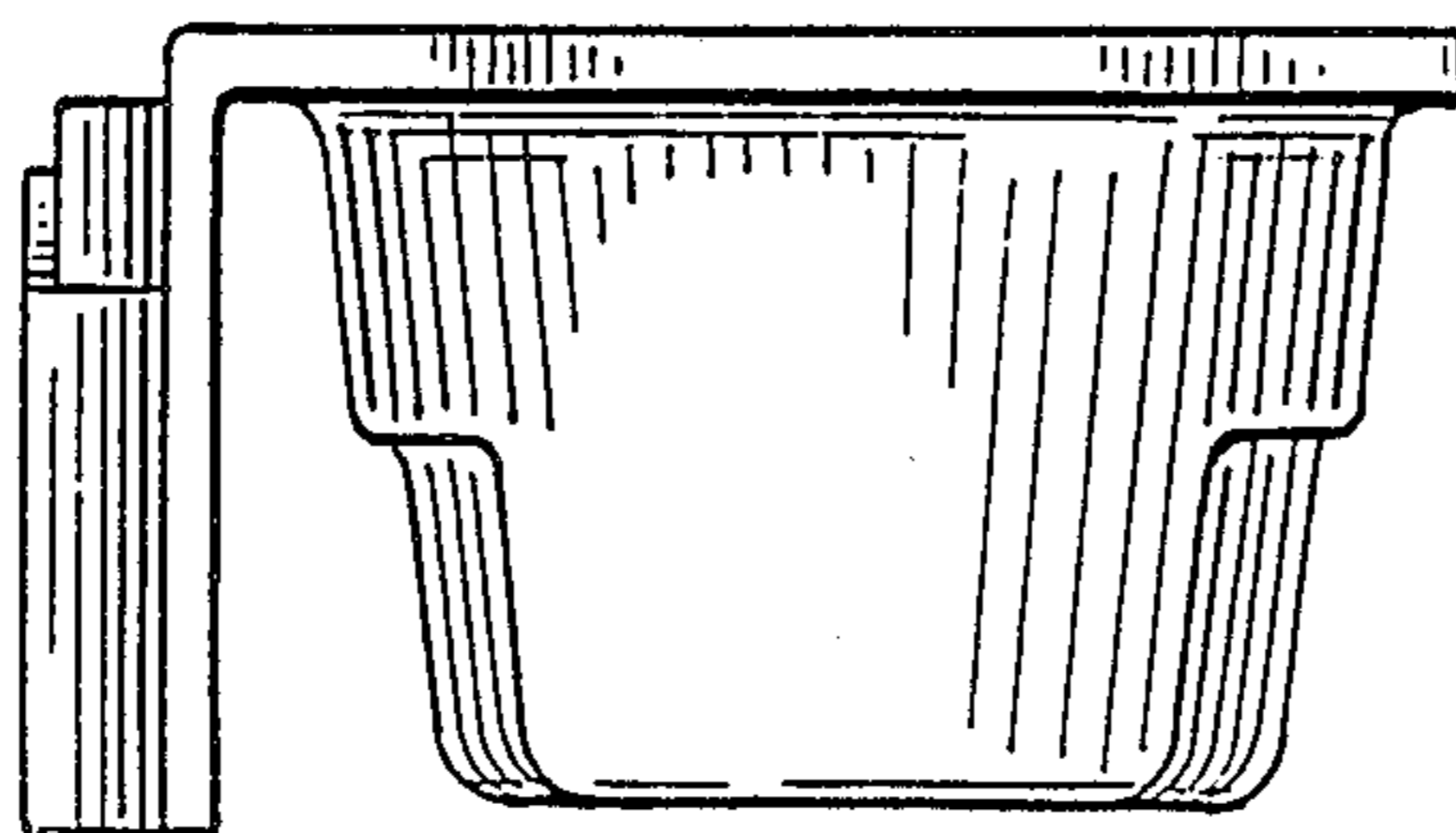


FIG. 10