

[54] FAUCET SHELL

[75] Inventors: Herbert V. Kohler, Jr., Kohler, Wis.; Paul P. Kolada, Bexley, Ohio

[73] Assignee: Kohler Co., Kohler, Wis.

[**] Term: 14 Years

[21] Appl. No.: 819,876

[22] Filed: Jan. 16, 1986

[52] U.S. Cl. D23/241

[58] Field of Search D23/238-243, D23/255-257; 4/191, 192; 137/801

[56] References Cited

U.S. PATENT DOCUMENTS

D. 143,384	12/1945	Zinkil et al.	D23/241
D. 169,405	4/1953	Young	D91/3
D. 181,595	12/1957	McLean	D23/241
D. 192,003	12/1961	Young	D91/3
D. 193,923	10/1962	Harty, Jr.	D23/241
D. 203,324	12/1965	Landell	D23/241
D. 207,576	5/1967	Armstrong	D91/3
D. 229,495	12/1973	Landell	D23/241
D. 237,615	11/1975	Saporito et al.	D23-25/
D. 258,523	3/1981	Thevenot	D23/25
D. 267,109	11/1982	Fabian	D23/241

OTHER PUBLICATIONS

House & Home, Dec. 1959, p. 210, lower right; items. Pages 2-2, 3-23, 9-10, 3-38 of the Kohler "K-400 plumbing products", catalog, 1985.

One page photocopy showing the Delta and Armitage Shanks faucet spouts, undated, admitted prior art.

One page photocopy of a Gerber advertisement showing the "Centerset Lavatory Faucet", undated and admitted prior art.

Primary Examiner—James R. Largen
Attorney, Agent, or Firm—Quarles & Brady

[57] CLAIM

The ornamental design for a faucet shell, as shown and described.

DESCRIPTION

FIG. 1 is a top perspective view of a faucet shell showing our new design;

FIG. 2 is a left side elevational view thereof, the right side being the mirror image of the left side;

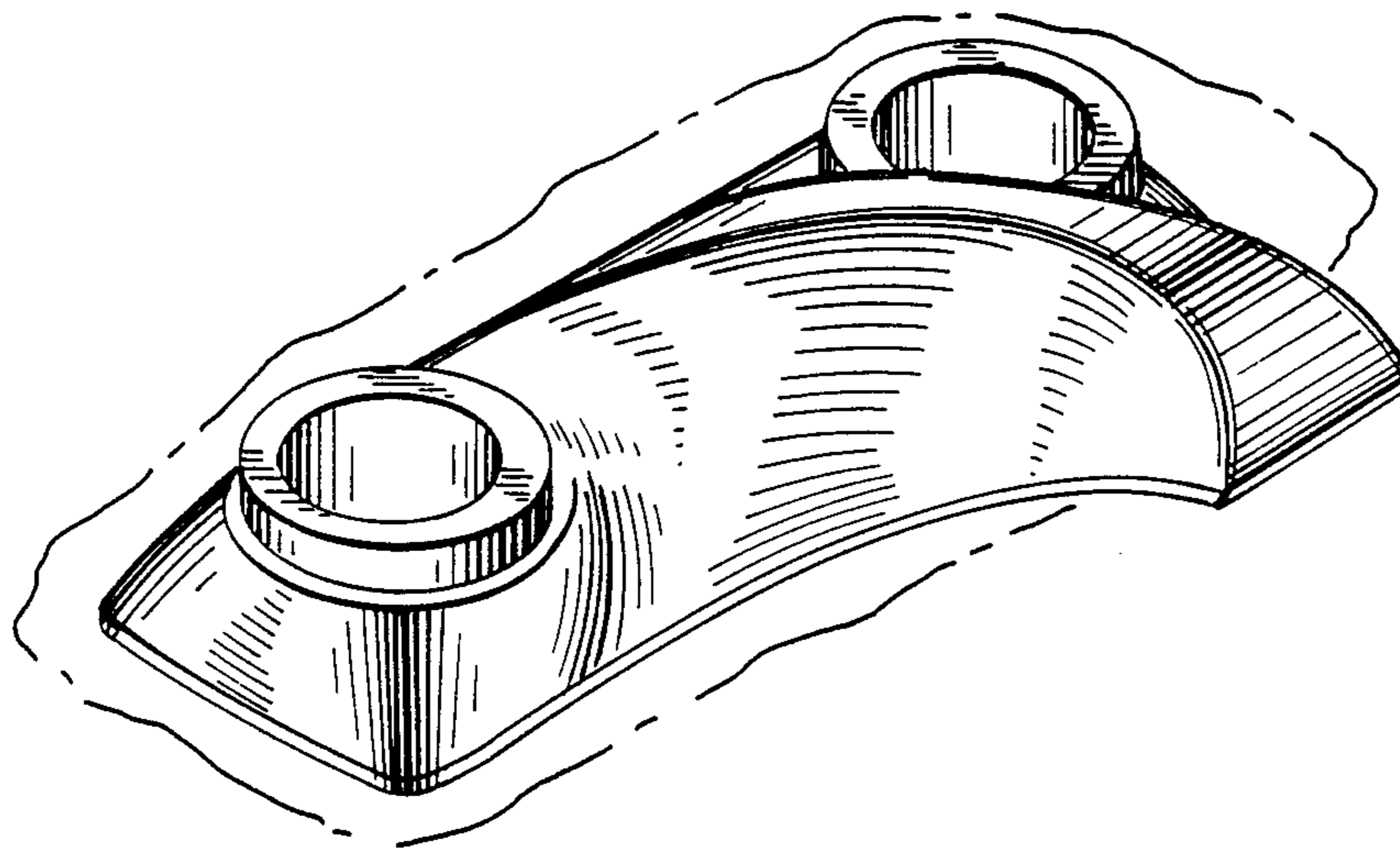
FIG. 3 is a top plan view thereof;

FIG. 4 is a front elevational view thereof;

FIG. 5 is a rear elevational view thereof; and

FIG. 6 is a bottom plan view thereof.

The fragmentary broken line representation of a lavatory in FIG. 1 is for purposes of illustration only and forms no part of the claimed design.



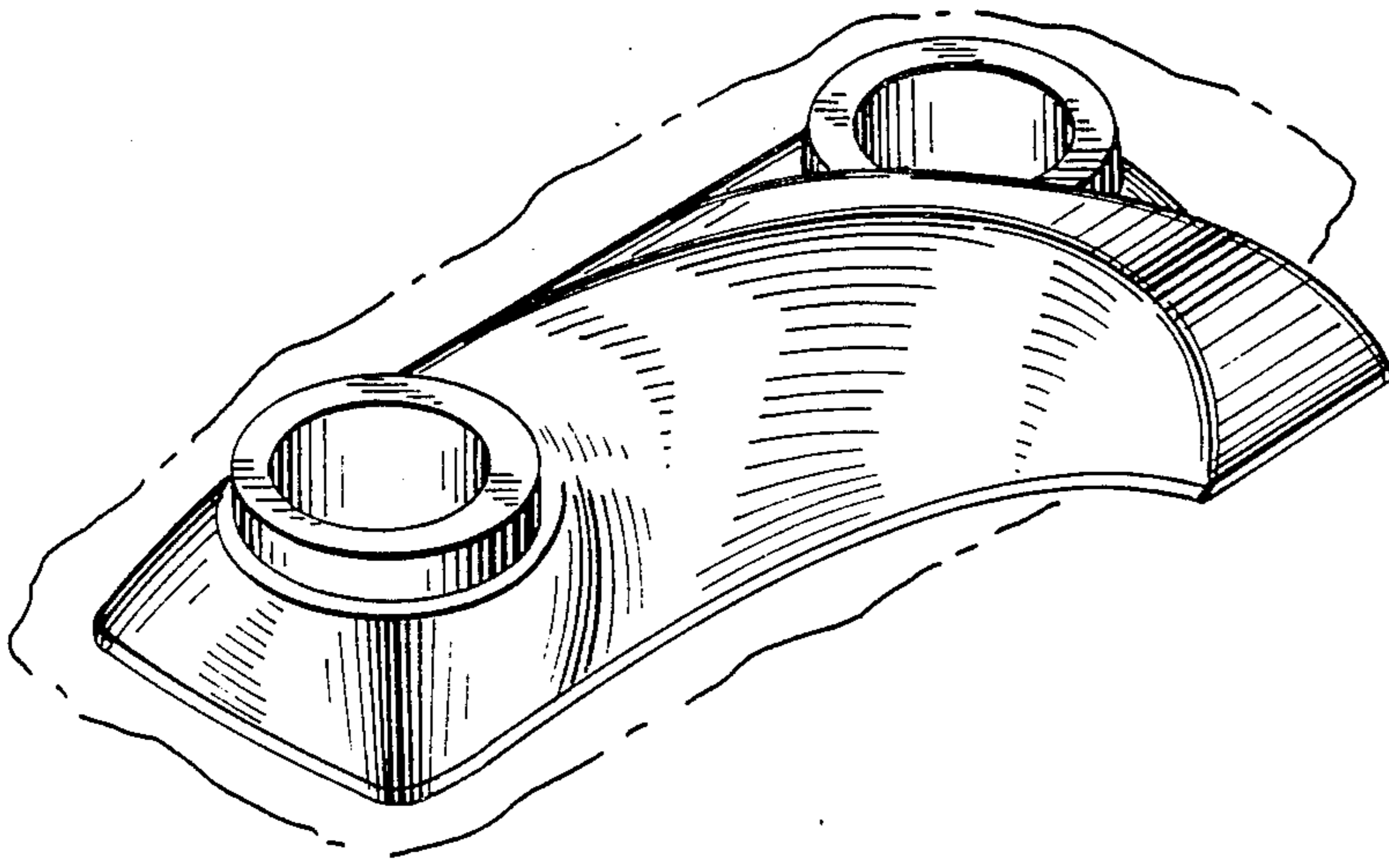


FIG. 1

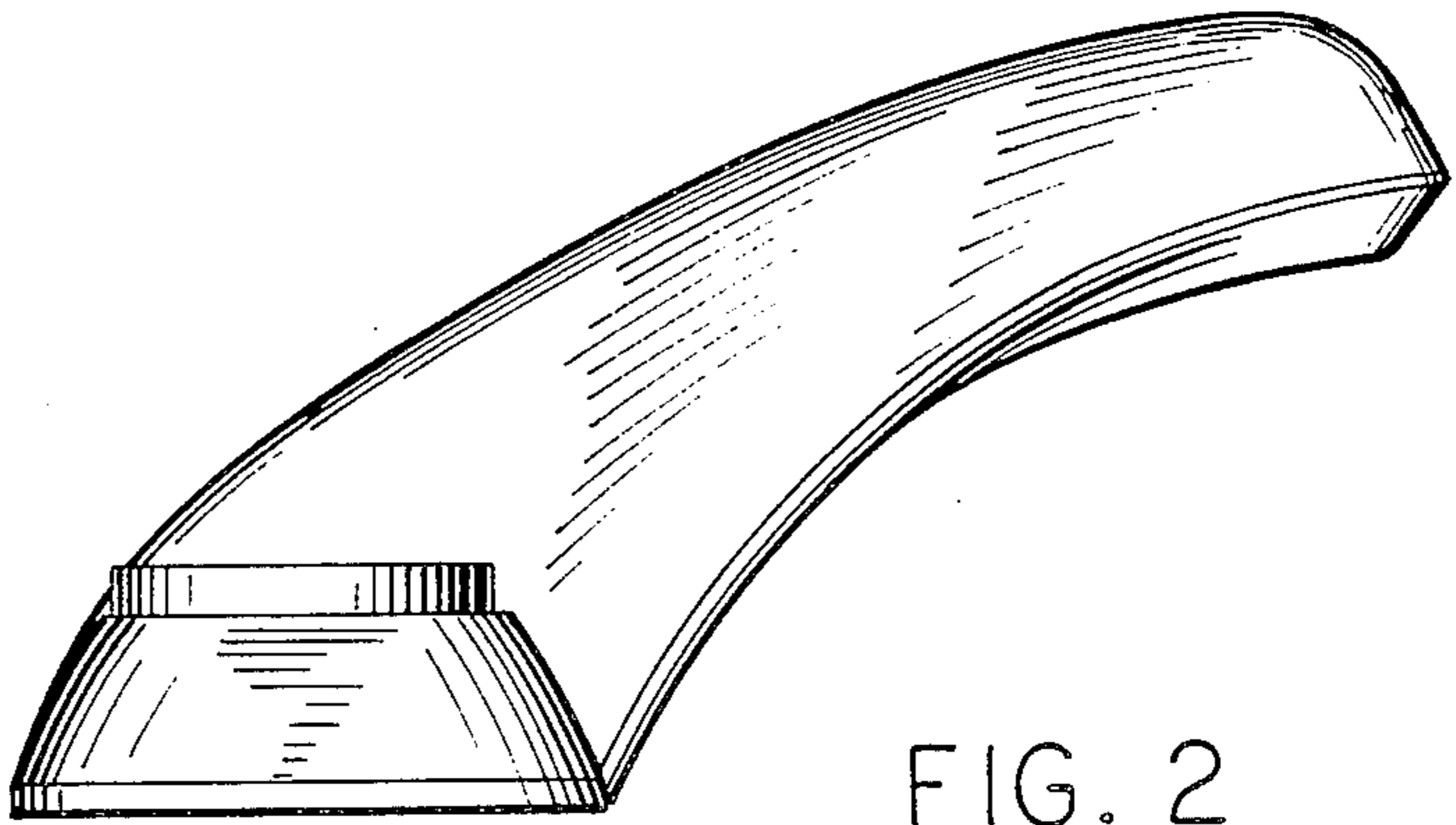


FIG. 2

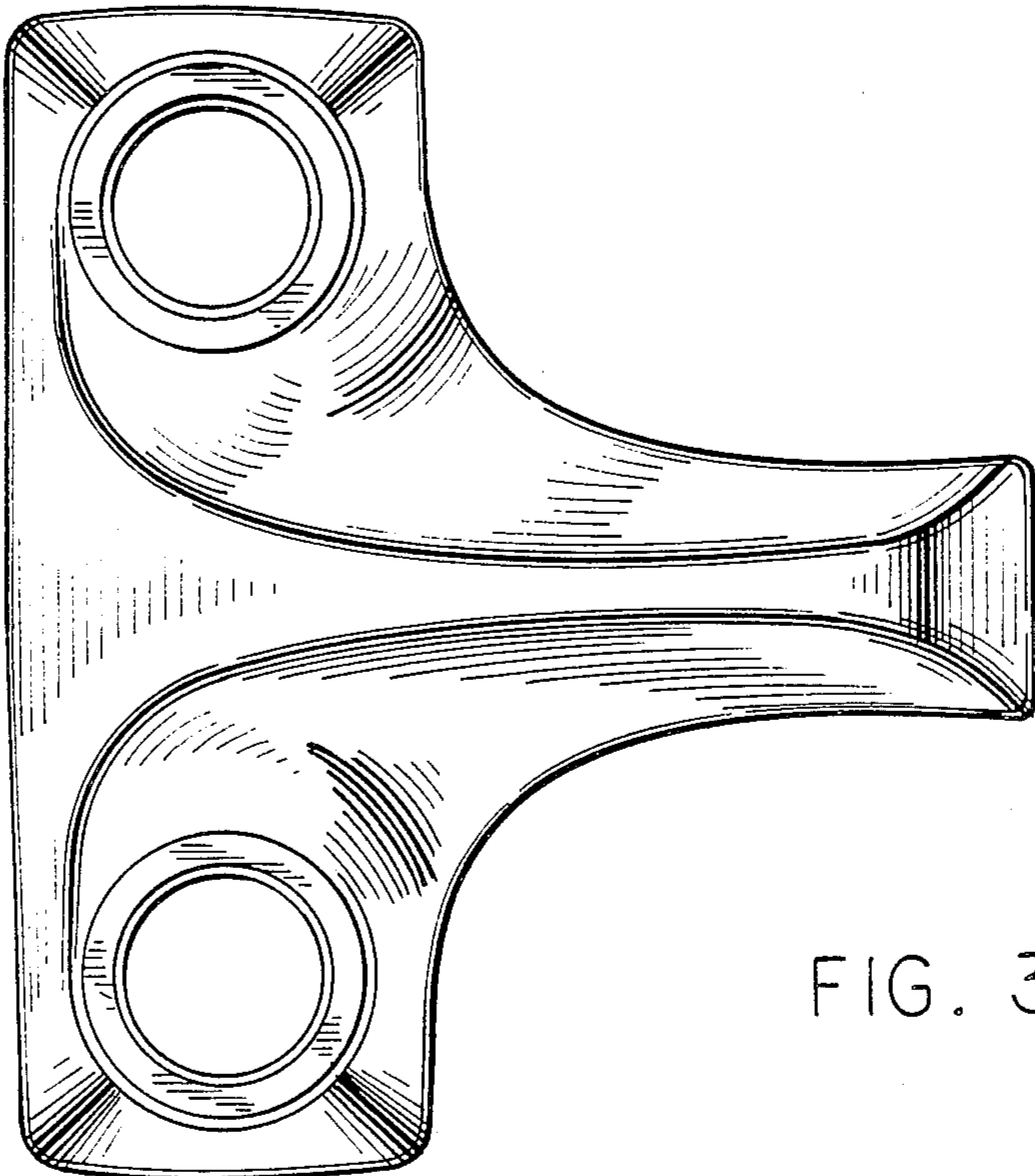


FIG. 3

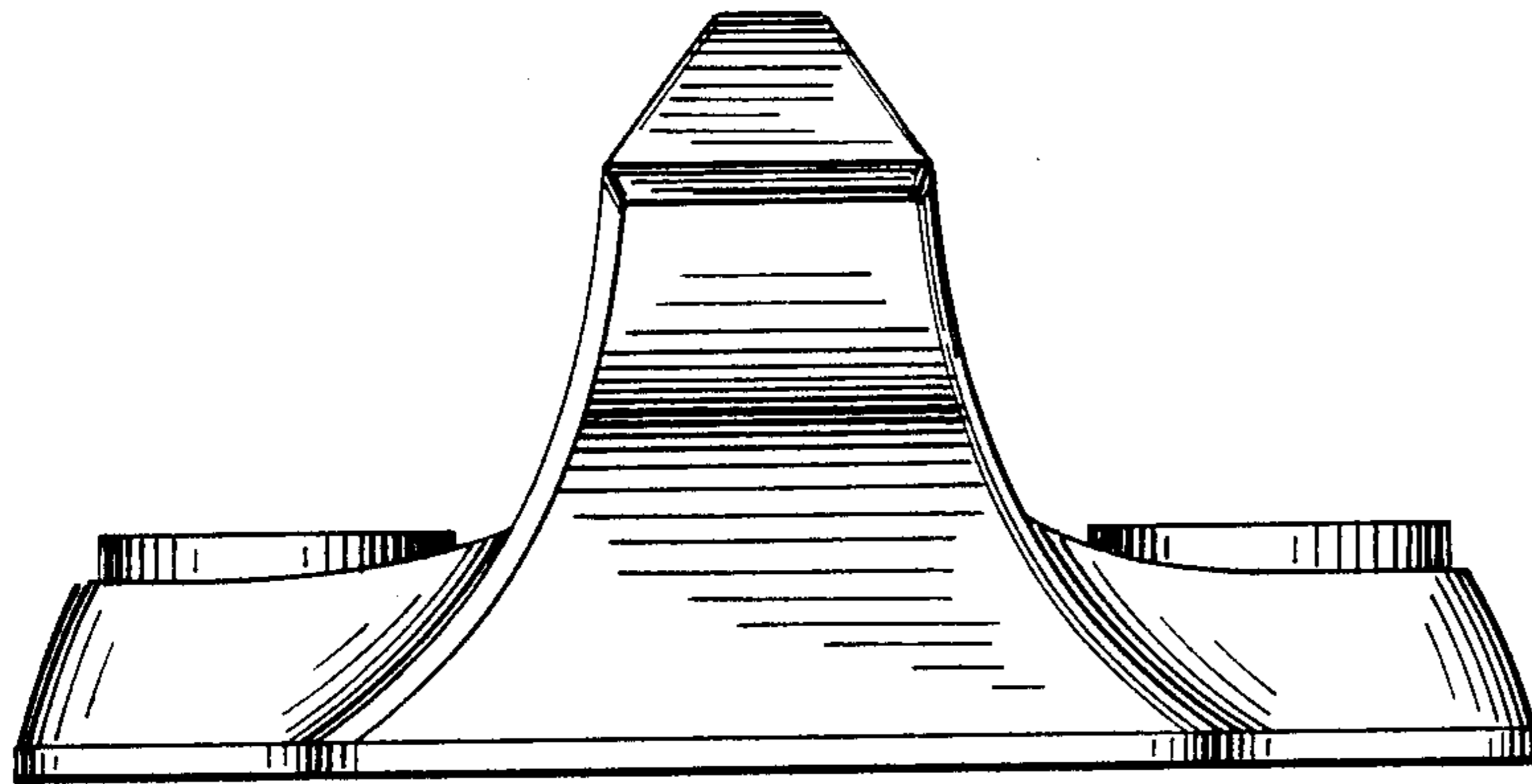


FIG. 4

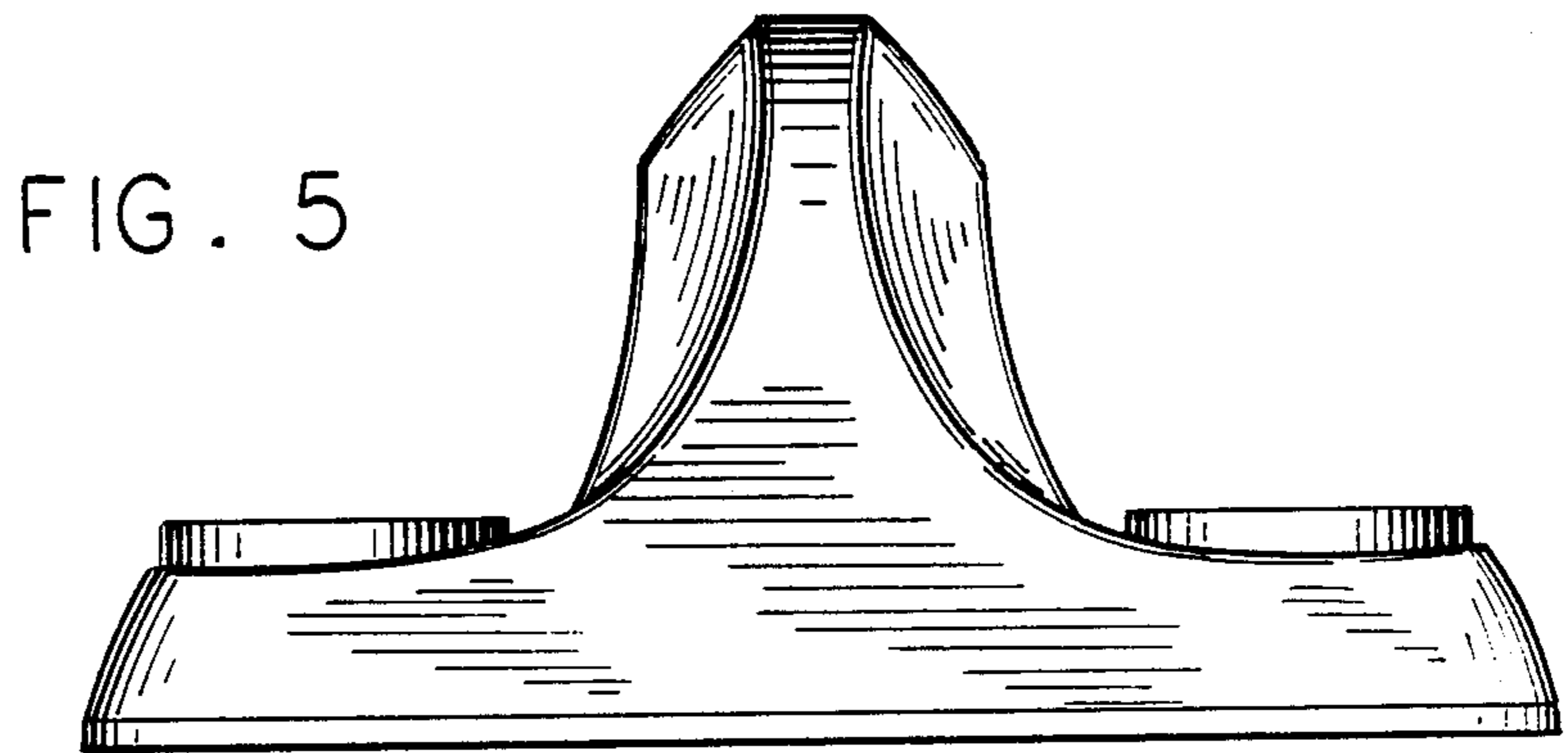


FIG. 5

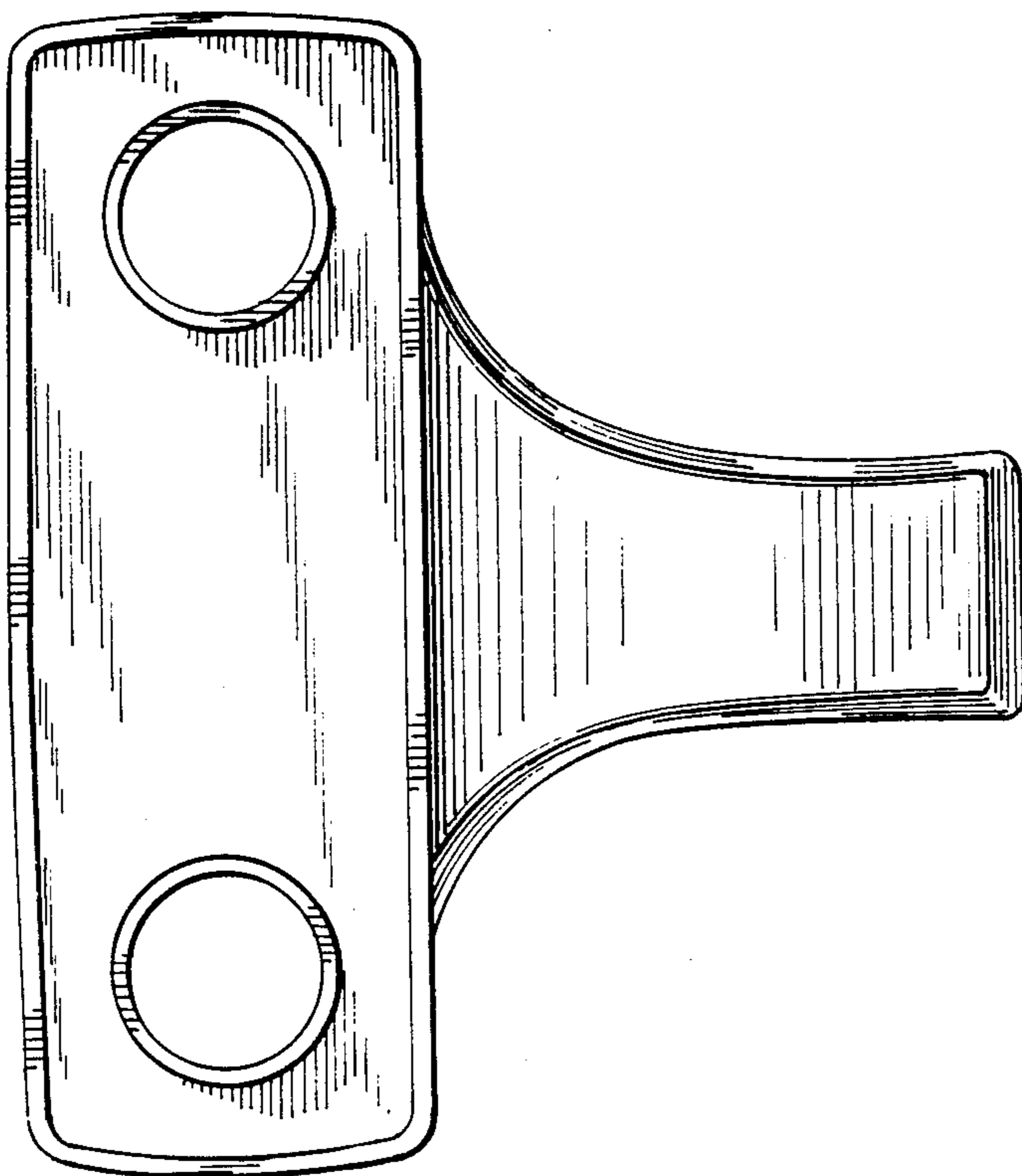


FIG. 6