

[54] TOY BUILDING ELEMENT

[75] Inventor: Jens N. Knudsen, Billund, Denmark

[73] Assignee: Interlego A.G., Baar, Switzerland

[**] Term: 14 Years

[21] Appl. No.: 935,699

[22] Filed: Nov. 26, 1986

[52] U.S. Cl. D21/108

[58] Field of Search D21/108, 104, 105;
446/85, 87, 104, 111, 118, 120, 121, 124, 128,
129; D25/87, 88

[56] References Cited

U.S. PATENT DOCUMENTS

D. 285,706	9/1986	Knudsen	D21/108
D. 291,101	7/1987	Knudsen et al.	D21/108
4,071,985	2/1978	Wickwire	D21/114
4,685,892	8/1987	Gould et al.	446/95

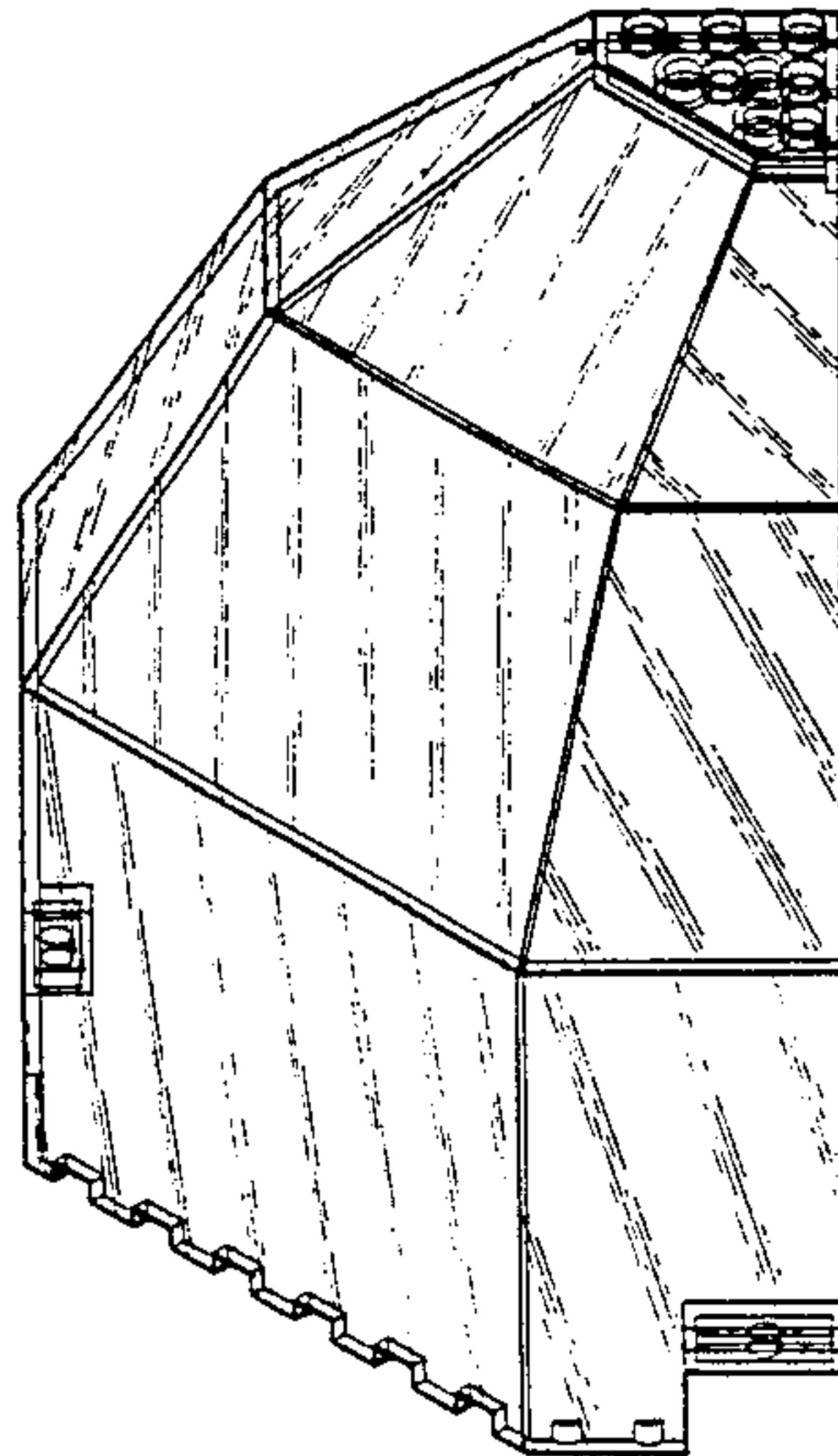
Primary Examiner—Charles A. Rademaker
Attorney, Agent, or Firm—Kane, Dalsimer, Sullivan,
Kurucz, Levy, Eisele and Richard

[57] CLAIM

The ornamental design for a toy building element, as shown and described.

DESCRIPTION

FIG. 1 is a top perspective view of the toy building element showing my new design, FIG. 2 is a bottom perspective view thereof, FIG. 3 is a front elevational view thereof FIG. 4 is a side elevational view thereof, the side opposite being a mirror image; FIG. 5 is a side perspective view thereof, the side opposite being a mirror image; FIG. 6 is a top plan view thereof, FIG. 7 is a bottom plan view thereof, and FIG. 8 is a rear elevational view thereof.



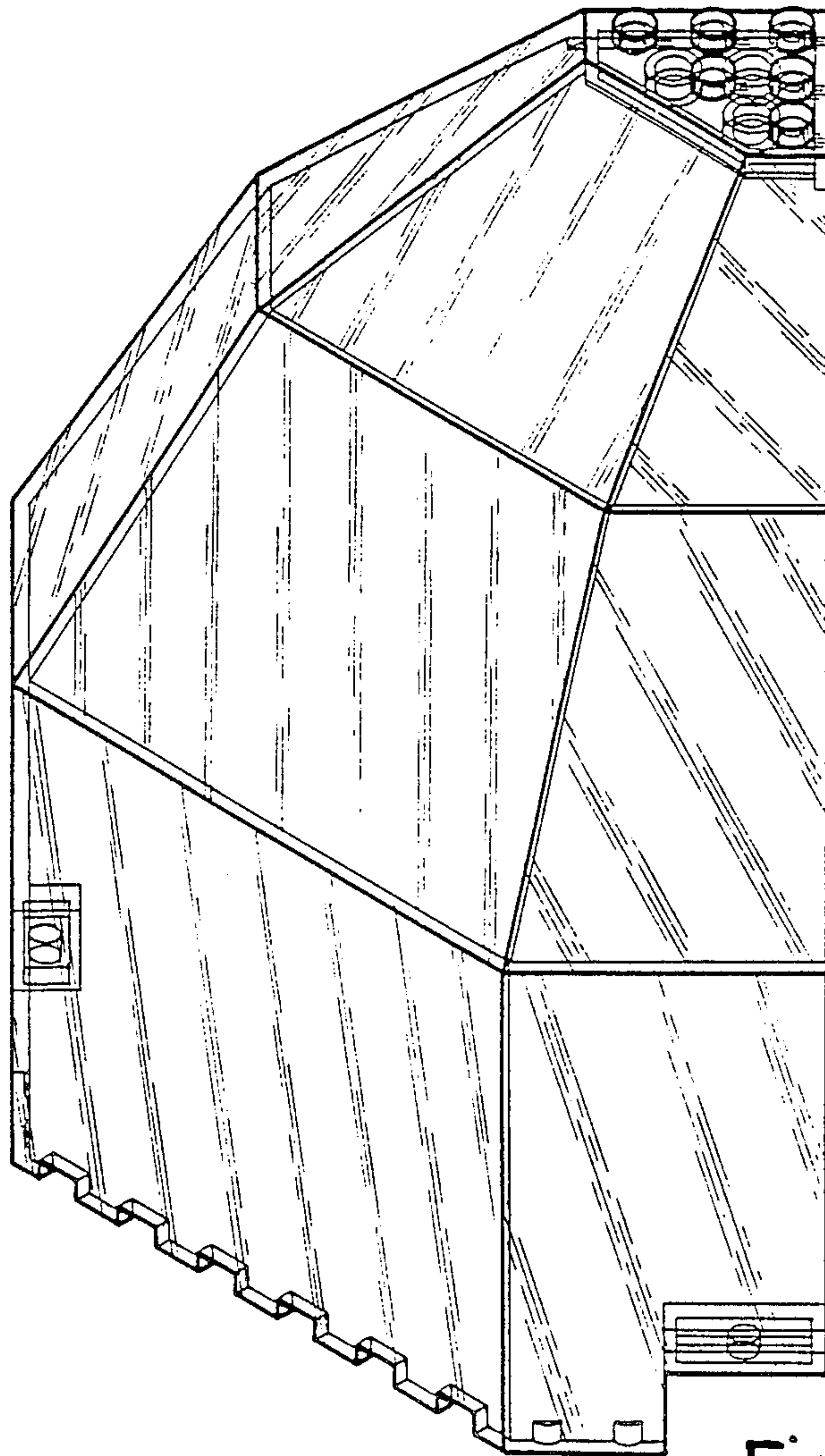
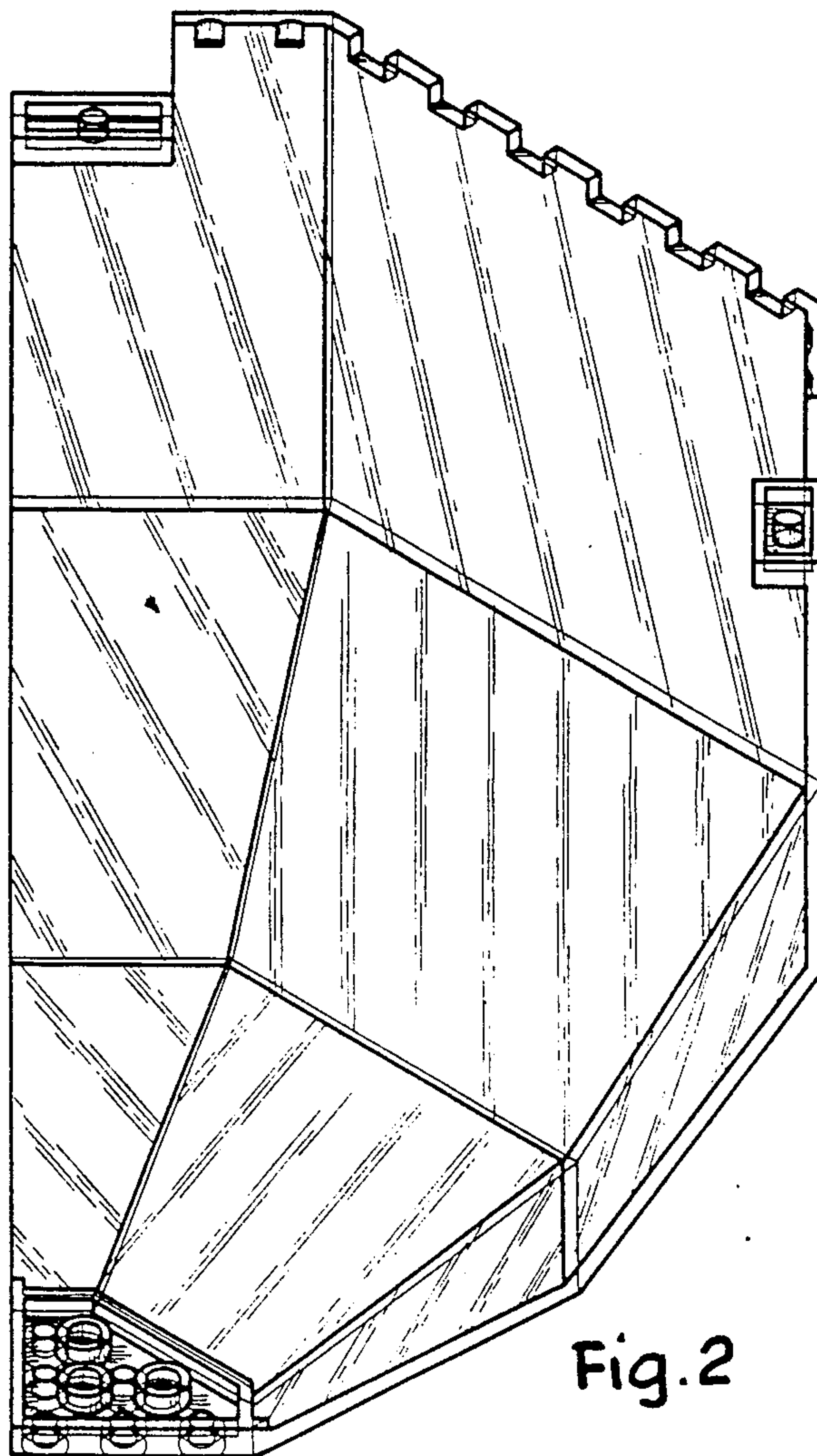


Fig. 1



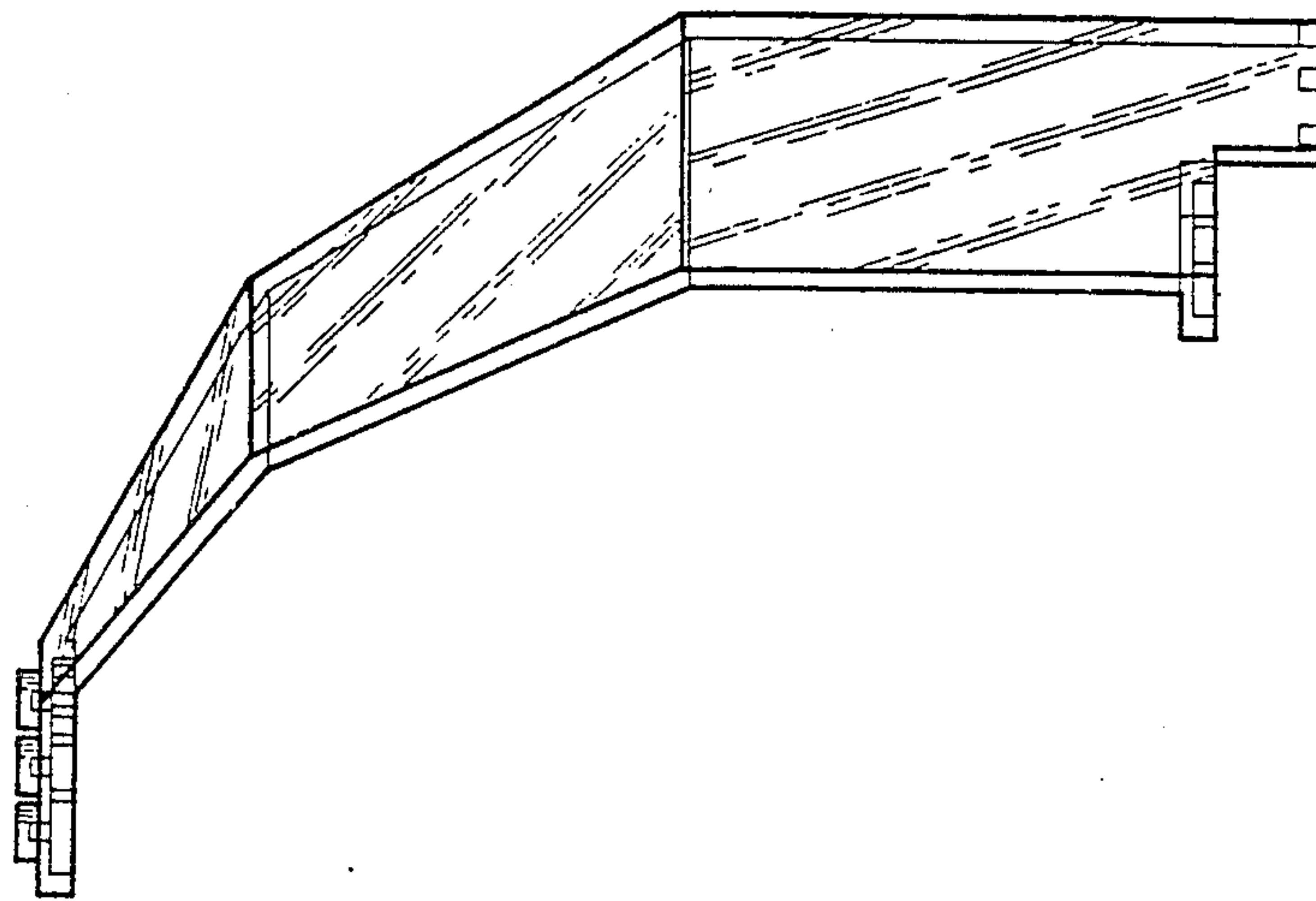


Fig. 4

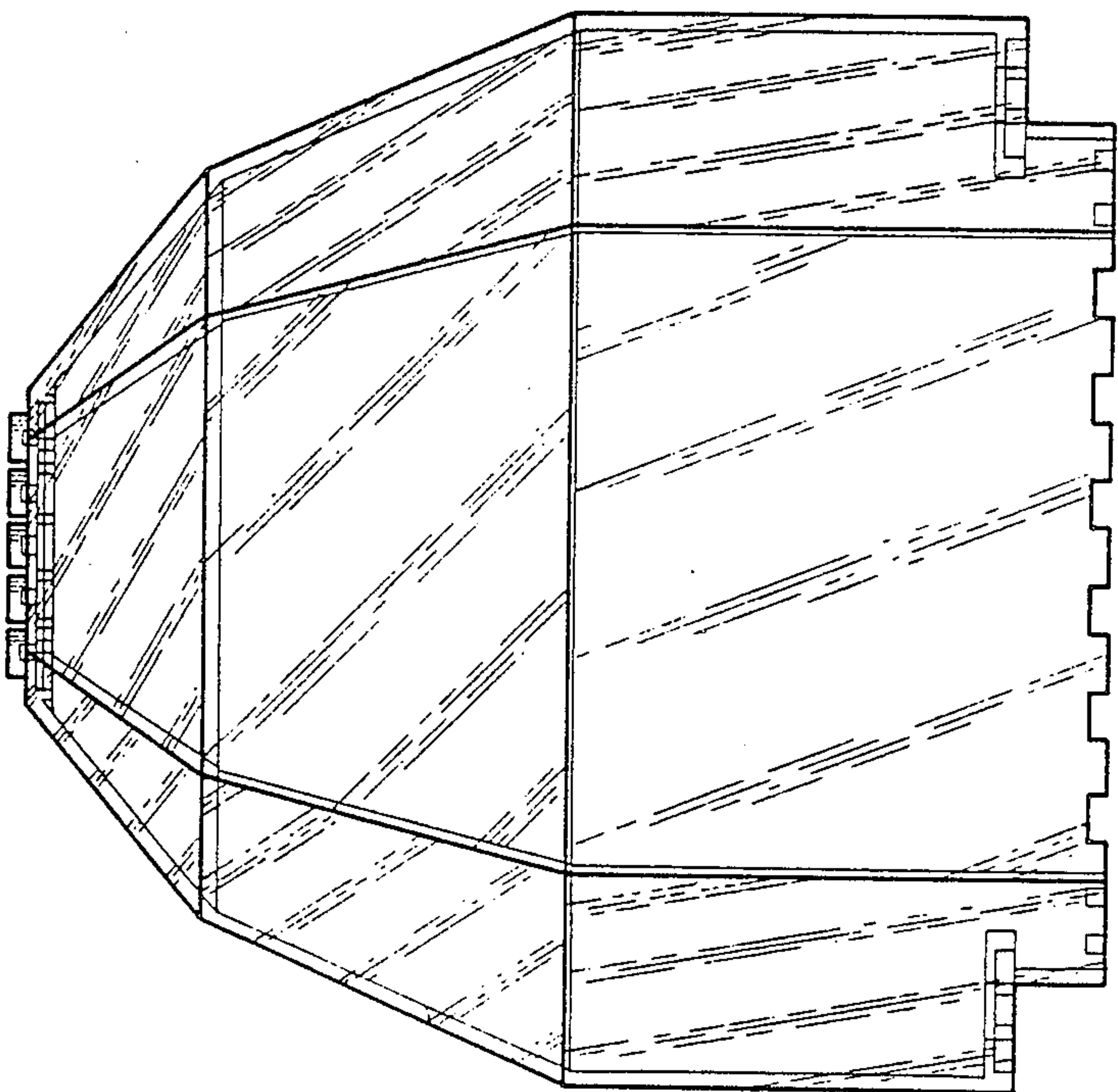


Fig. 3

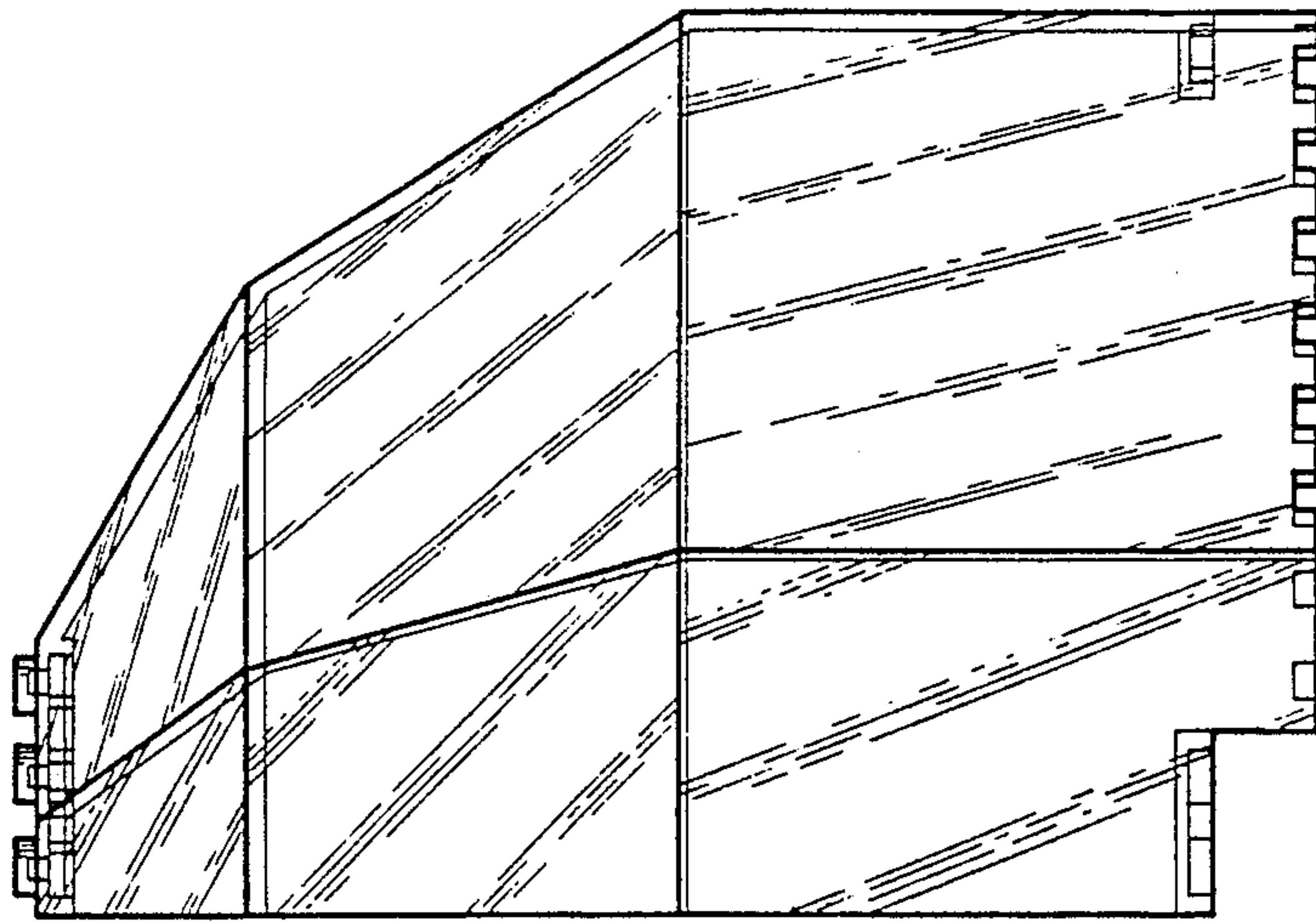


Fig. 5

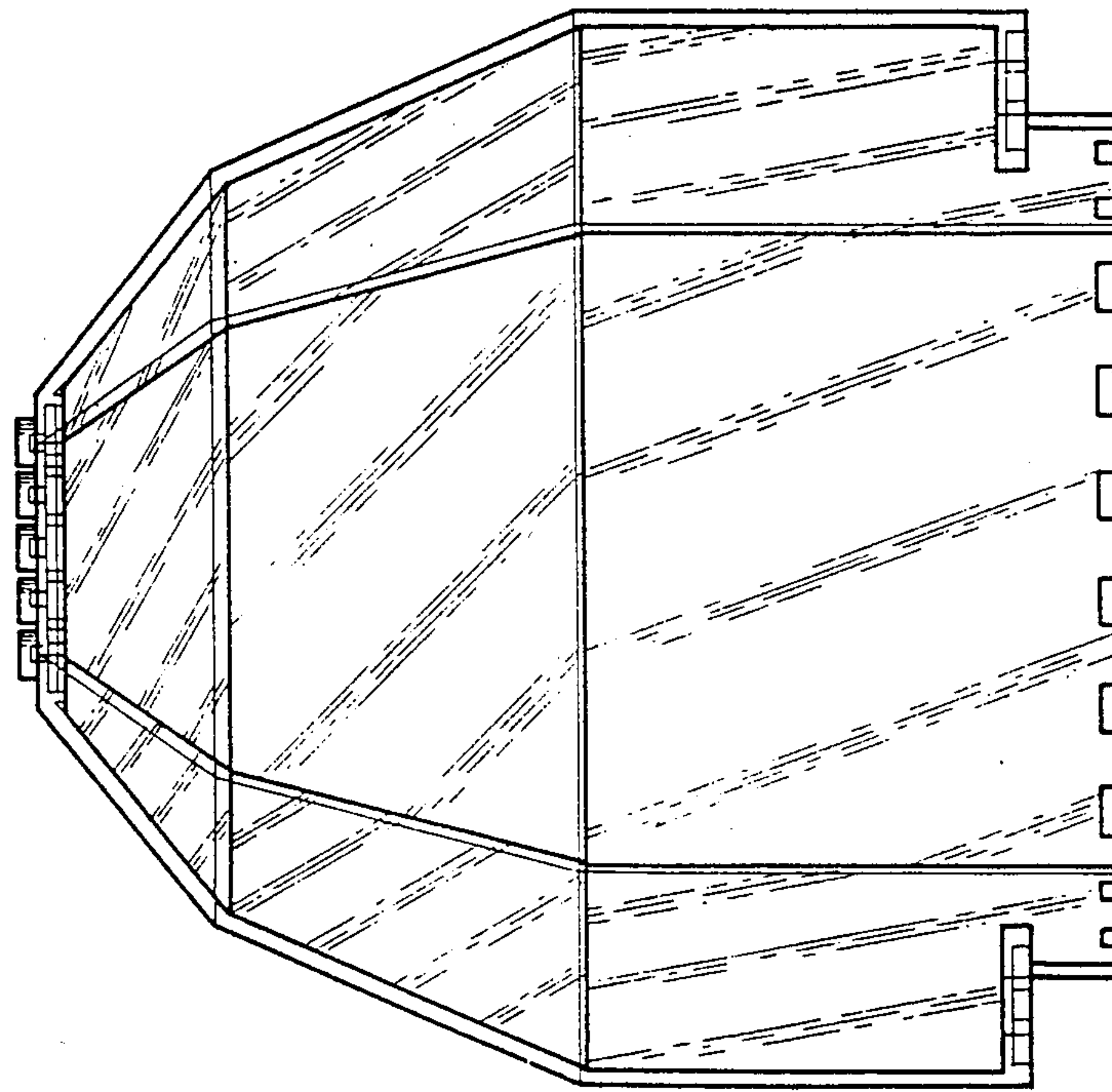


Fig. 8

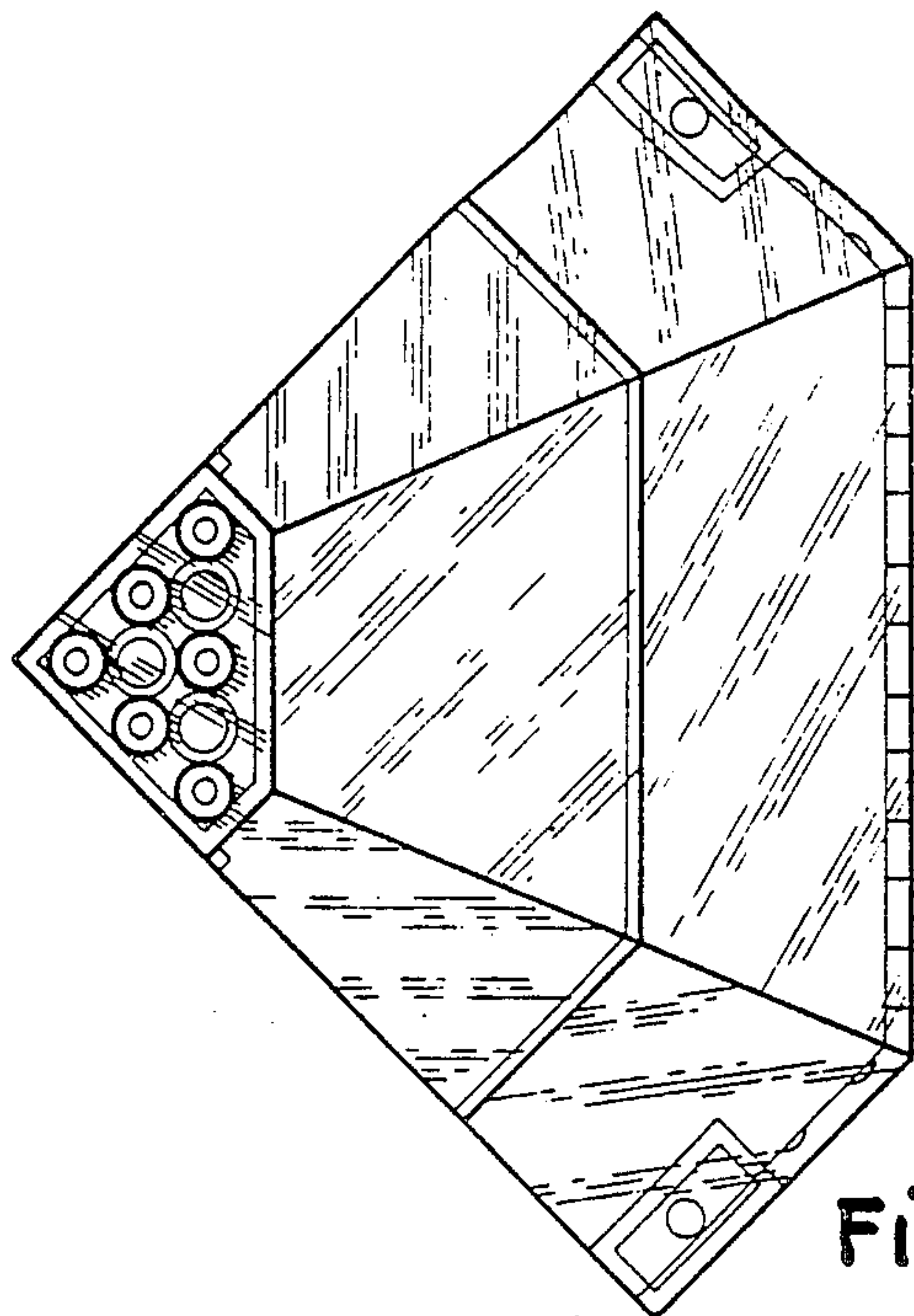


Fig. 6

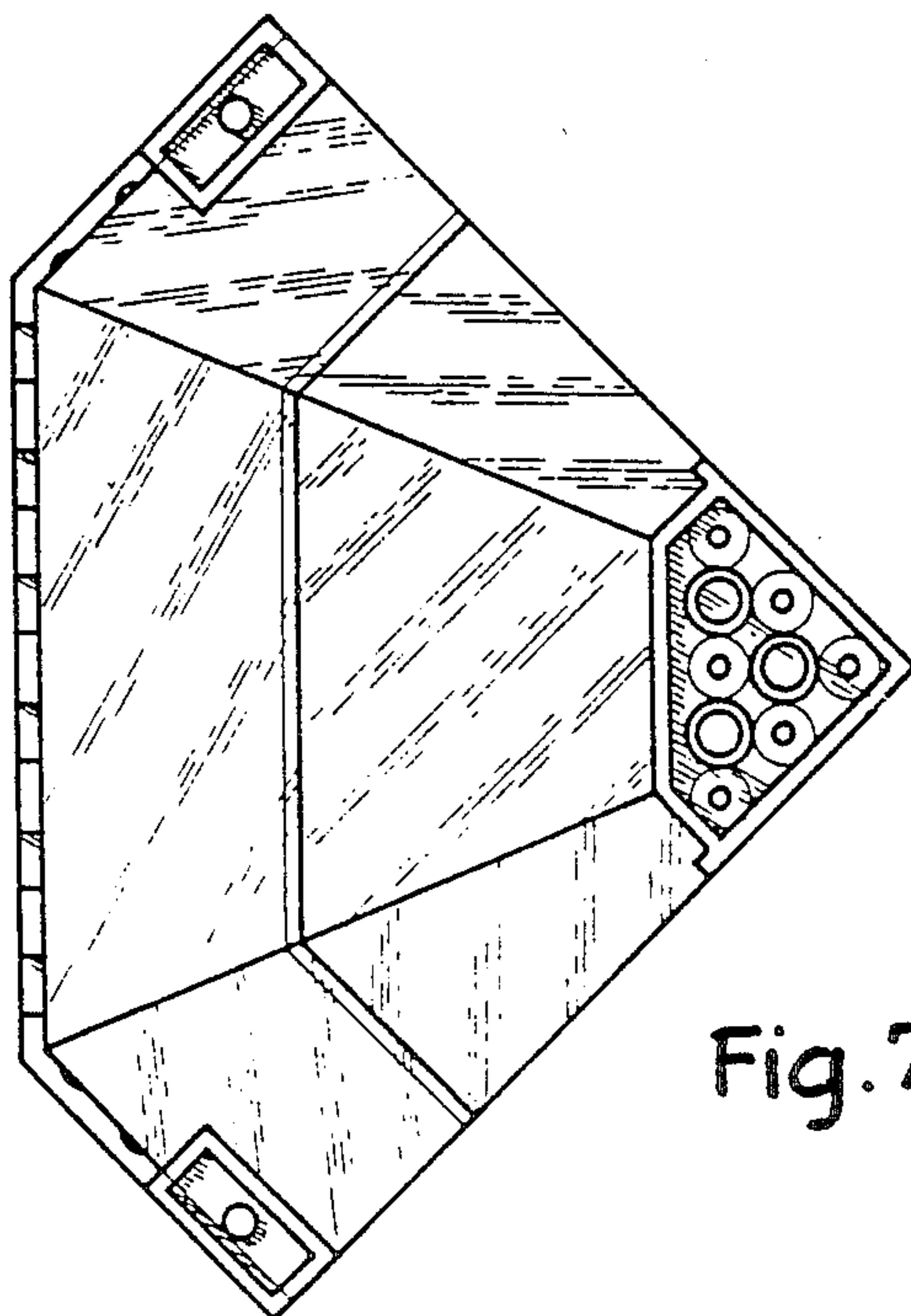


Fig. 7