

[54] TOY CONSTRUCTION PIECE

4,685,892 8/1987 Gould et al. 446/95

[75] Inventor: Jens N. Knudsen, Billund, Denmark

Primary Examiner—Charles A. Rademaker
Attorney, Agent, or Firm—Kane, Dalsimer, Sullivan,
Kurucz, Levy, Eisele and Richard

[73] Assignee: Interlego A.G., Baar, Switzerland

[**] Term: 14 Years

[57] CLAIM

[21] Appl. No.: 935,566

The ornamental design for a toy construction piece, as shown and described.

[22] Filed: Nov. 26, 1986

DESCRIPTION

[52] U.S. Cl. D21/108

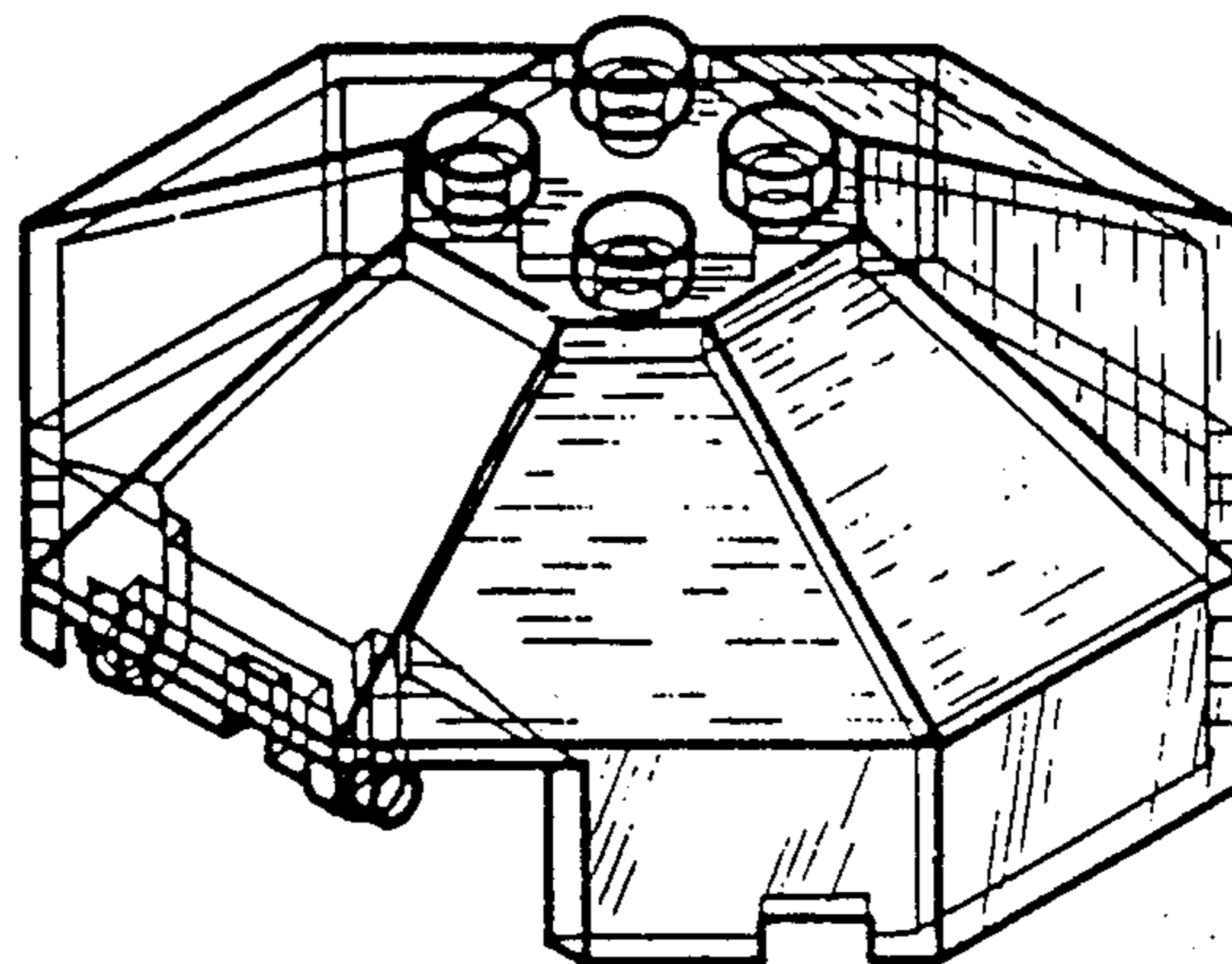
[58] Field of Search D21/108, 104, 105;
446/85, 87, 104, 111, 118, 120, 121, 124, 128,
129; D25/87, 88

FIG. 1 is a top perspective view of the toy construction piece showing my new design,
FIG. 2 is a bottom perspective view thereof,
FIG. 3 is a front elevational view thereof
FIG. 4 is a side elevational view thereof, the side opposite being a mirror image;
FIG. 5 is another side elevational view thereof, the side opposite being a mirror image;
FIG. 6 is a top plan view thereof,
FIG. 7 is a bottom plan view thereof, and
FIG. 8 is a rear elevational view thereof.

[56] References Cited

U.S. PATENT DOCUMENTS

D. 285,705	9/1986	Dideriksen	D21/108
D. 285,706	9/1986	Knudsen	D21/108
D. 291,101	7/1987	Knudsen et al.	D21/108
4,071,985	2/1978	Wickwire	D21/114



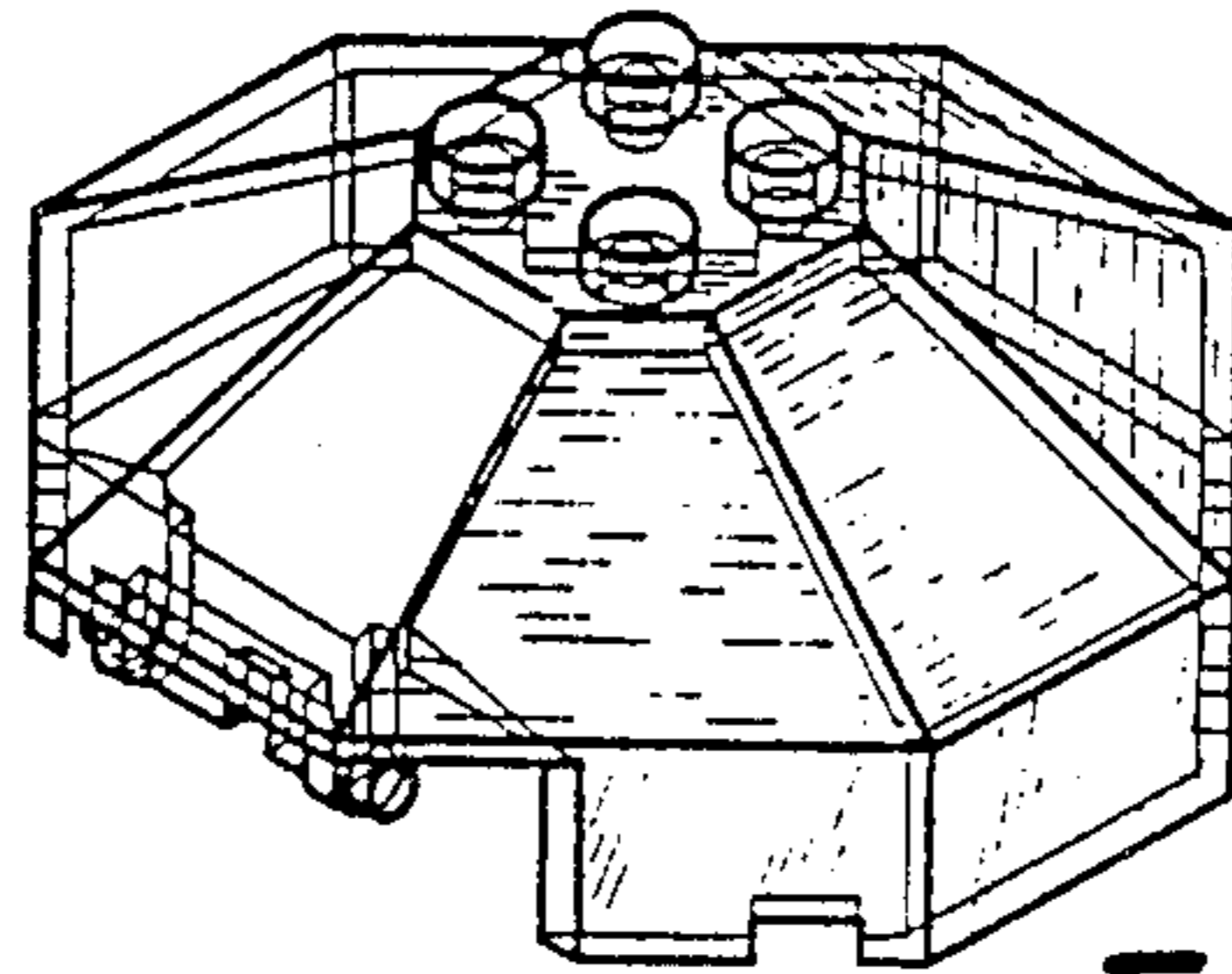


Fig. 1

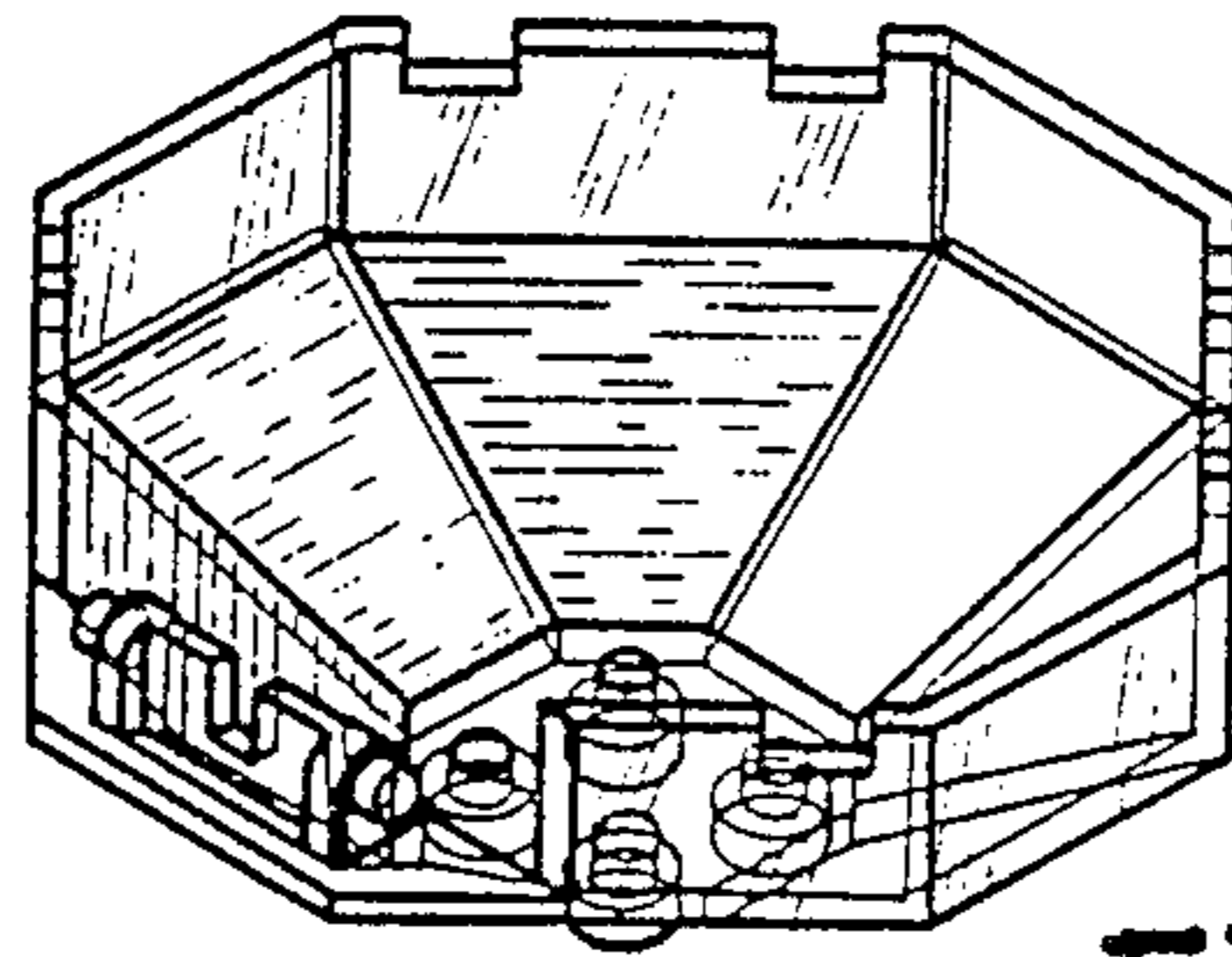


Fig. 2

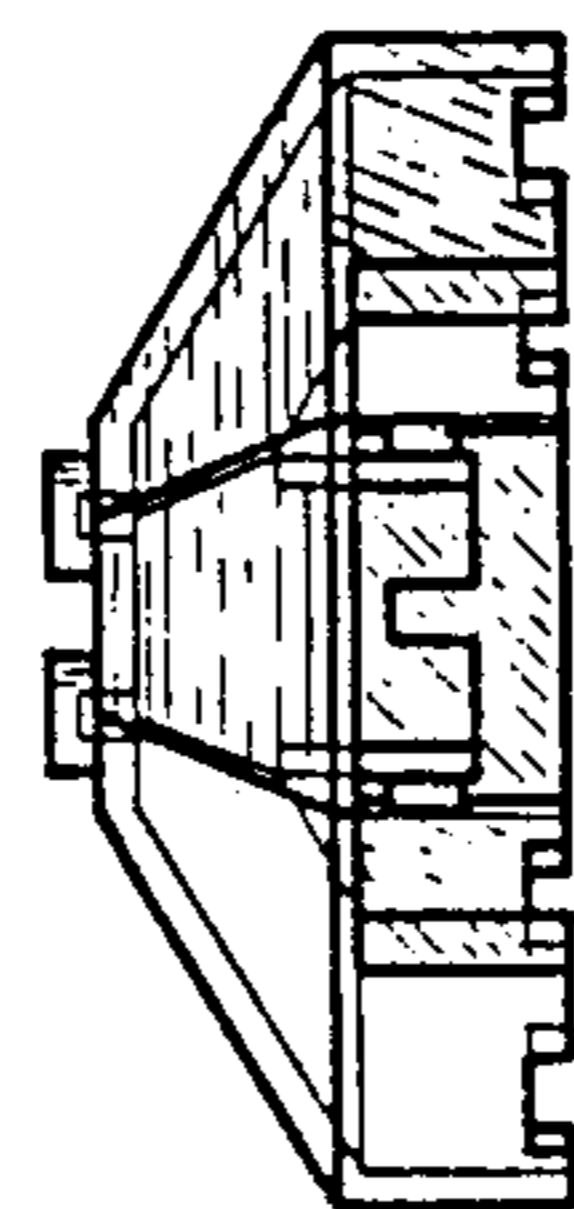


Fig. 3

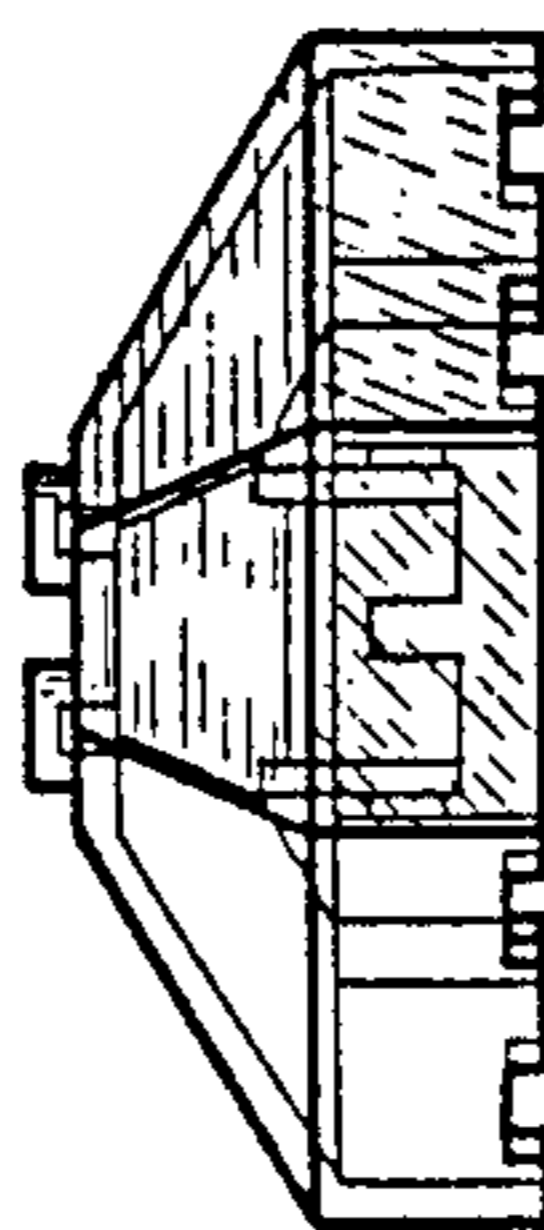


Fig. 8

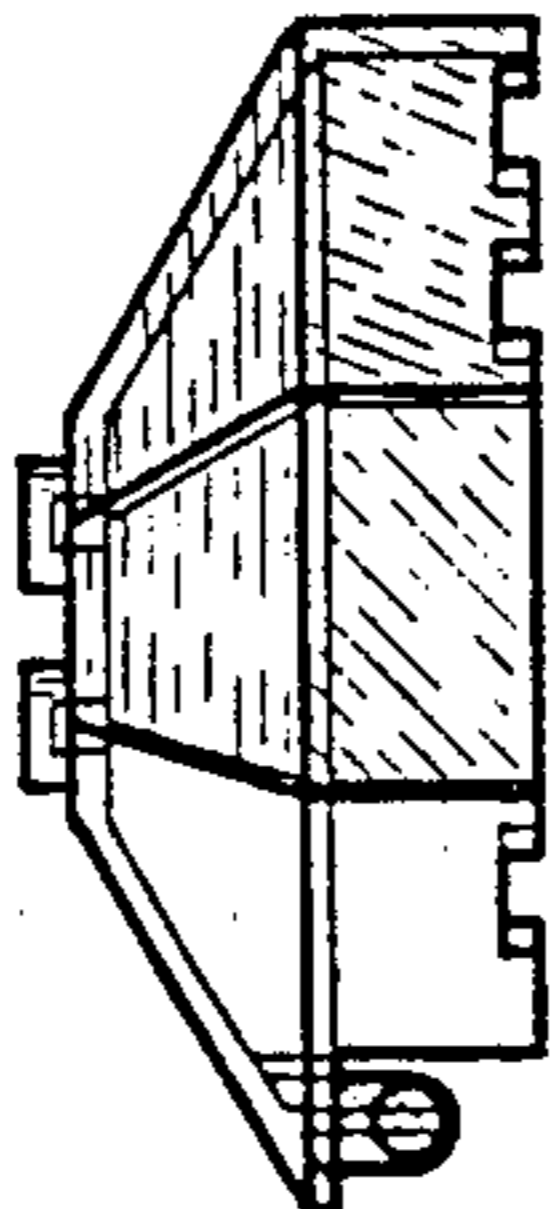


Fig. 4

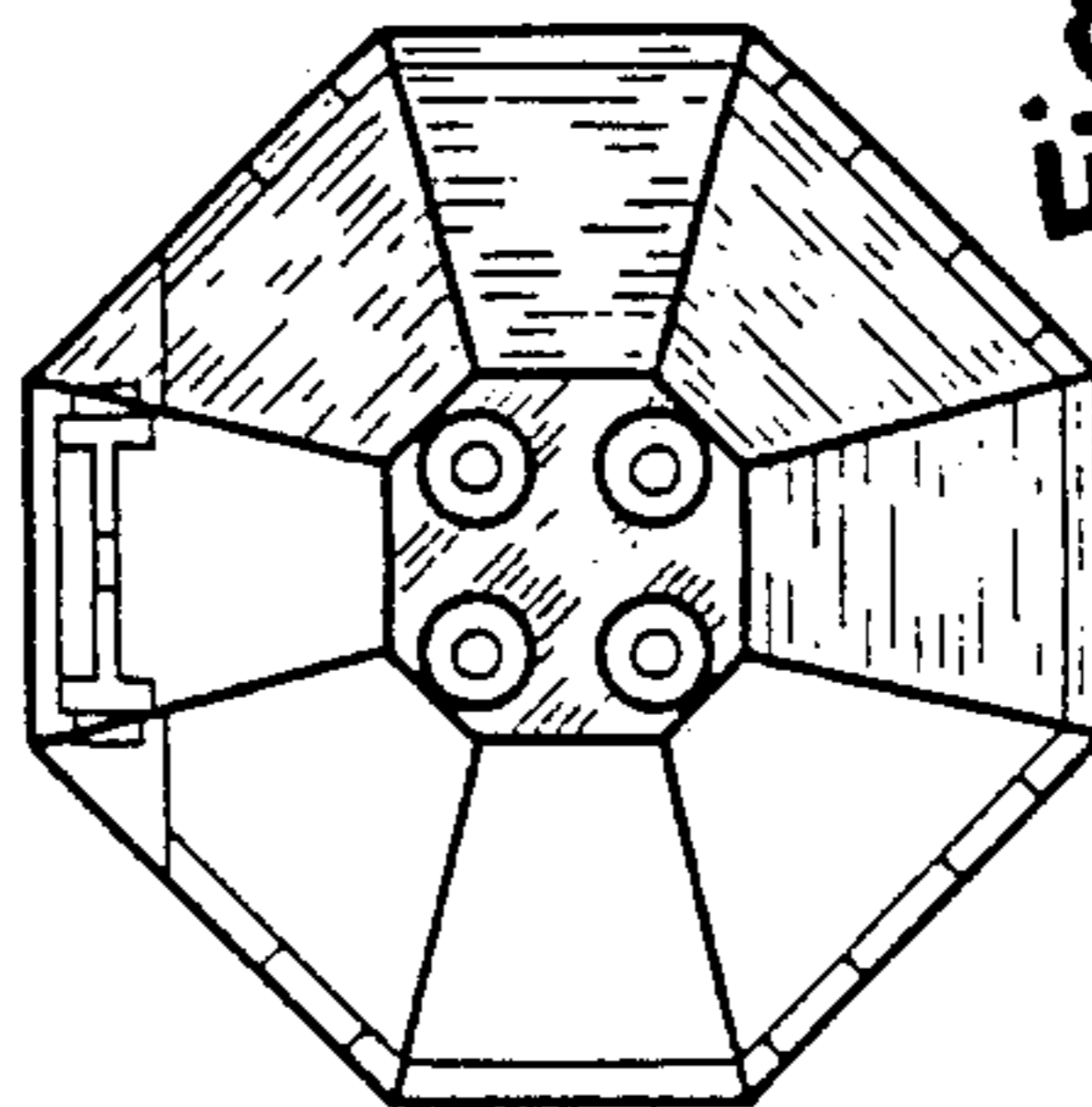


Fig. 6

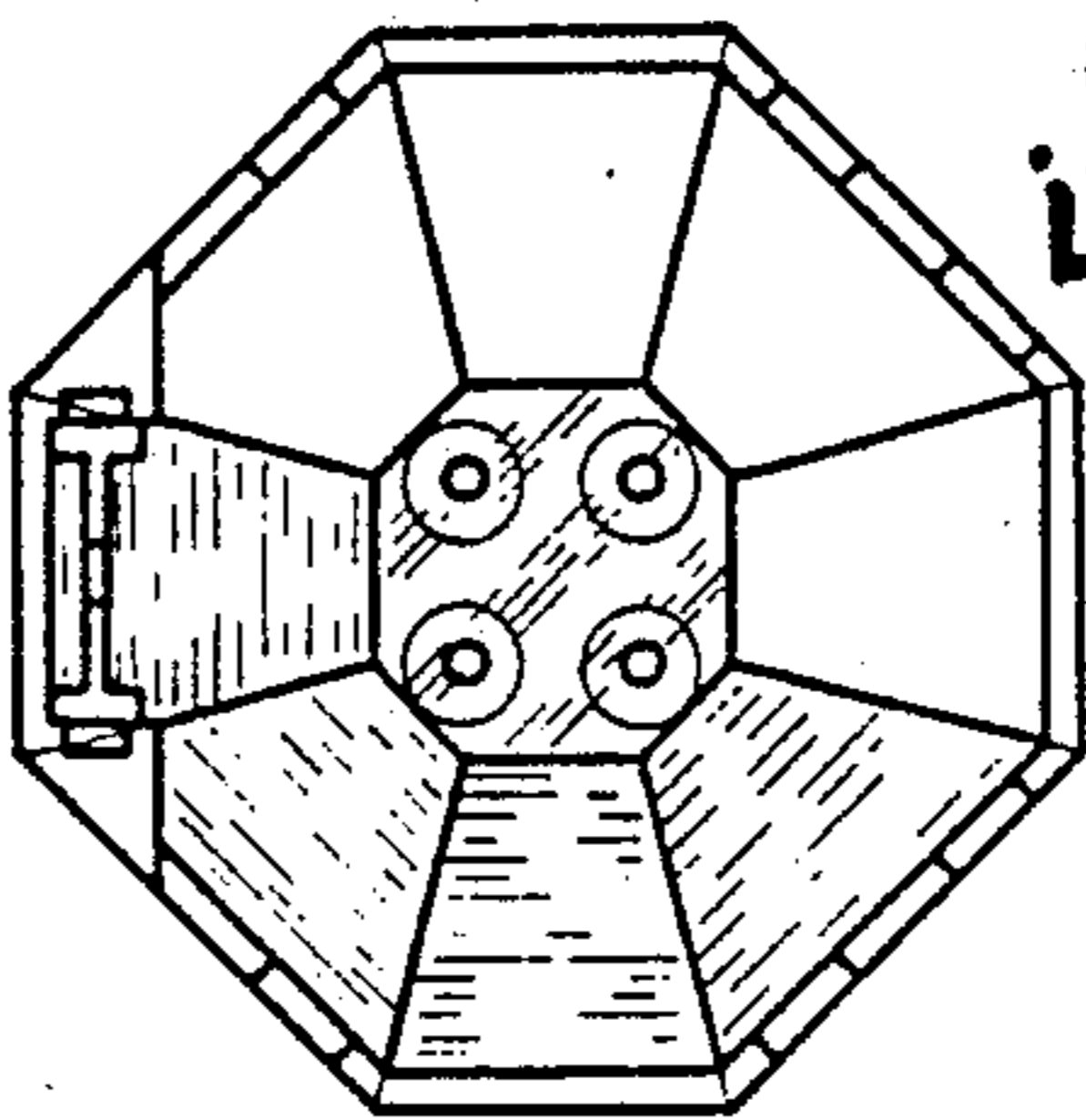


Fig. 7

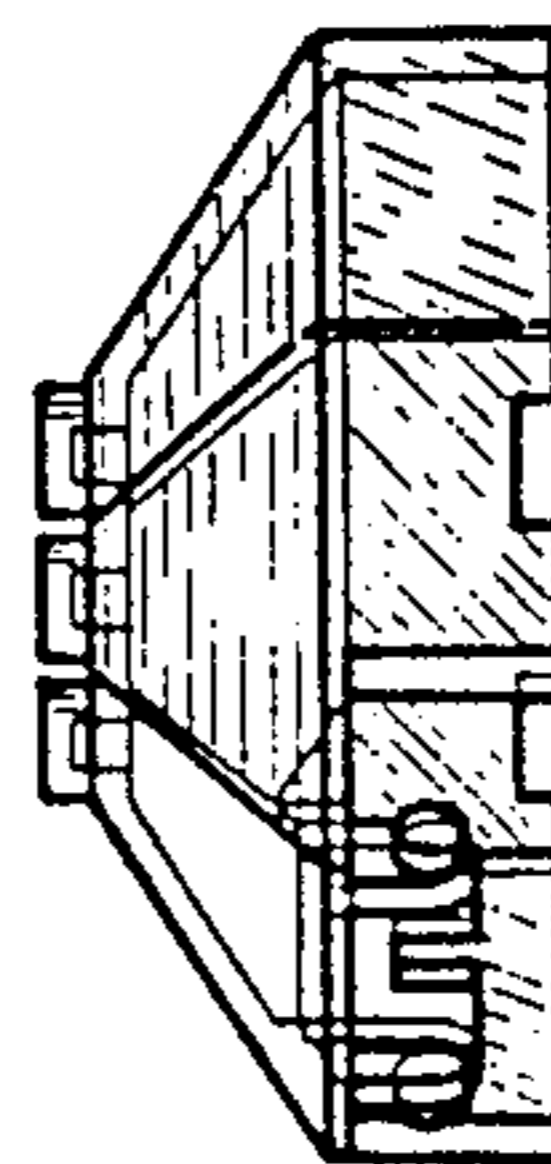


Fig. 5