

[54] TOY INTERCONNECTING CHASSIS BLOCK OR THE LIKE

[75] Inventor: Tokuo Takahashi, Tokyo, Japan

[73] Assignee: Kawada Co., Ltd., Tokyo, Japan

[\*\*] Term: 14 Years

[21] Appl. No.: 757,348

[22] Filed: Jul. 22, 1985

[30] Foreign Application Priority Data

Mar. 27, 1985 [JP] Japan ..... 60-011947

[52] U.S. Cl. .... D21/108; D21/141

[58] Field of Search ..... D21/59, 108, 141; 446/85, 117, 118, 119, 120, 121, 122, 124, 95, 464, 457

[56] References Cited

U.S. PATENT DOCUMENTS

|            |         |           |       |         |
|------------|---------|-----------|-------|---------|
| D. 117,554 | 11/1939 | Bojesen   | ..... | D21/141 |
| D. 282,090 | 1/1986  | Takahashi | ..... | D21/108 |
| D. 287,519 | 12/1986 | Takahashi | ..... | D21/108 |
| D. 291,100 | 7/1987  | Knudsen   | ..... | D21/108 |

4,511,343 4/1985 Goldfarb et al. .... 446/95

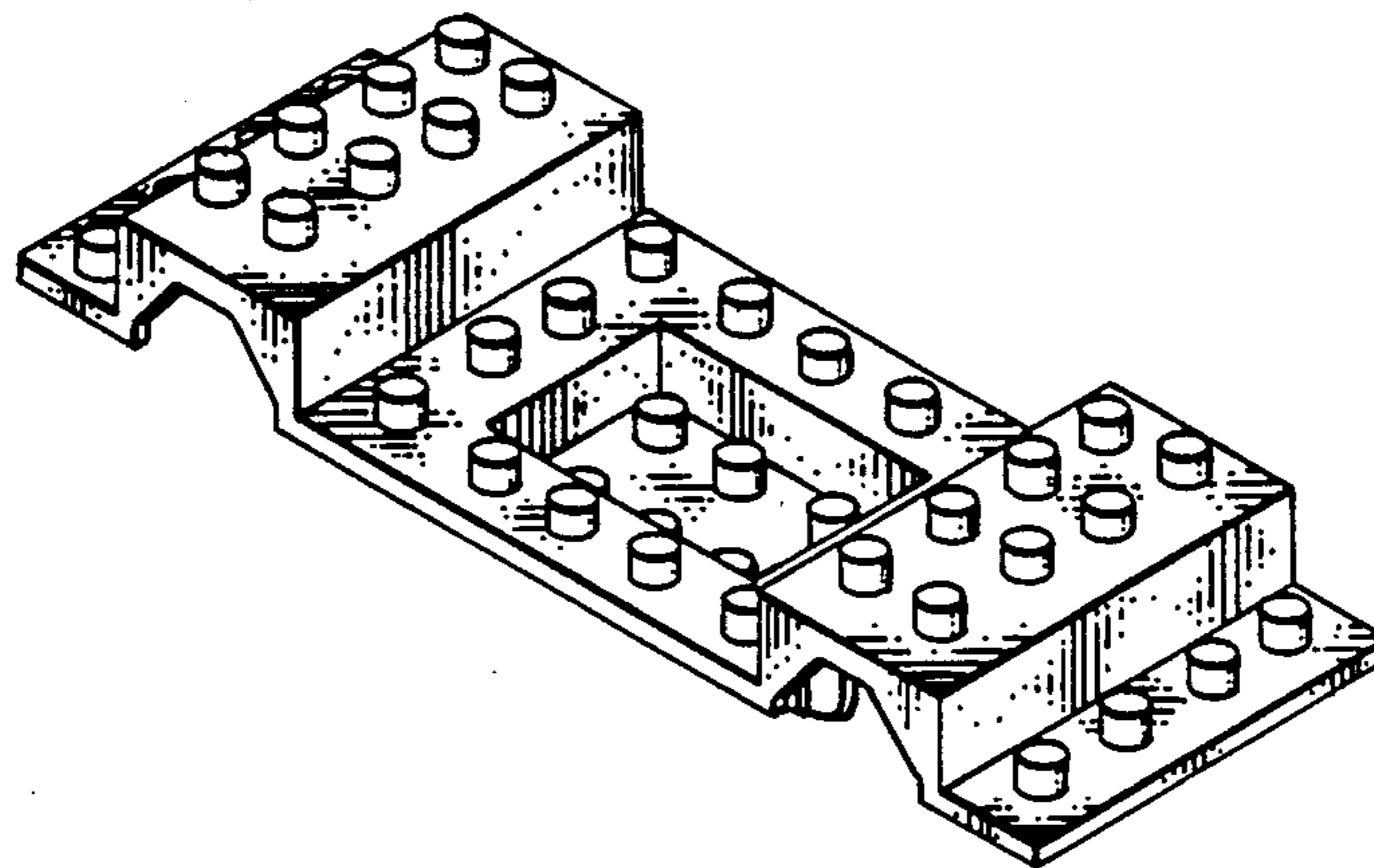
Primary Examiner—Charles A. Rademaker  
Attorney, Agent, or Firm—Don B. Finkelstein

[57] CLAIM

The ornamental design for an toy interconnecting chassis block or the like, substantially as shown and described.

DESCRIPTION

FIG. 1 is a perspective view of a toy interconnecting chassis block or the like, showing my new design;  
 FIG. 2 is a top plan view thereof;  
 FIG. 3 is front elevational view thereof;  
 FIG. 4 is a rear elevational view thereof;  
 FIG. 5 is a right side elevational view thereof, the left side elevational view being identical thereto;  
 FIG. 6 is a bottom plan view thereof;  
 FIG. 7 is a cross sectional view along the line 7—7 of FIG. 1;  
 FIG. 8 is a cross sectional view along the line 8—8 of FIG. 1; and  
 FIG. 9 is a cross sectional view along the line 9—9 of FIG. 1.



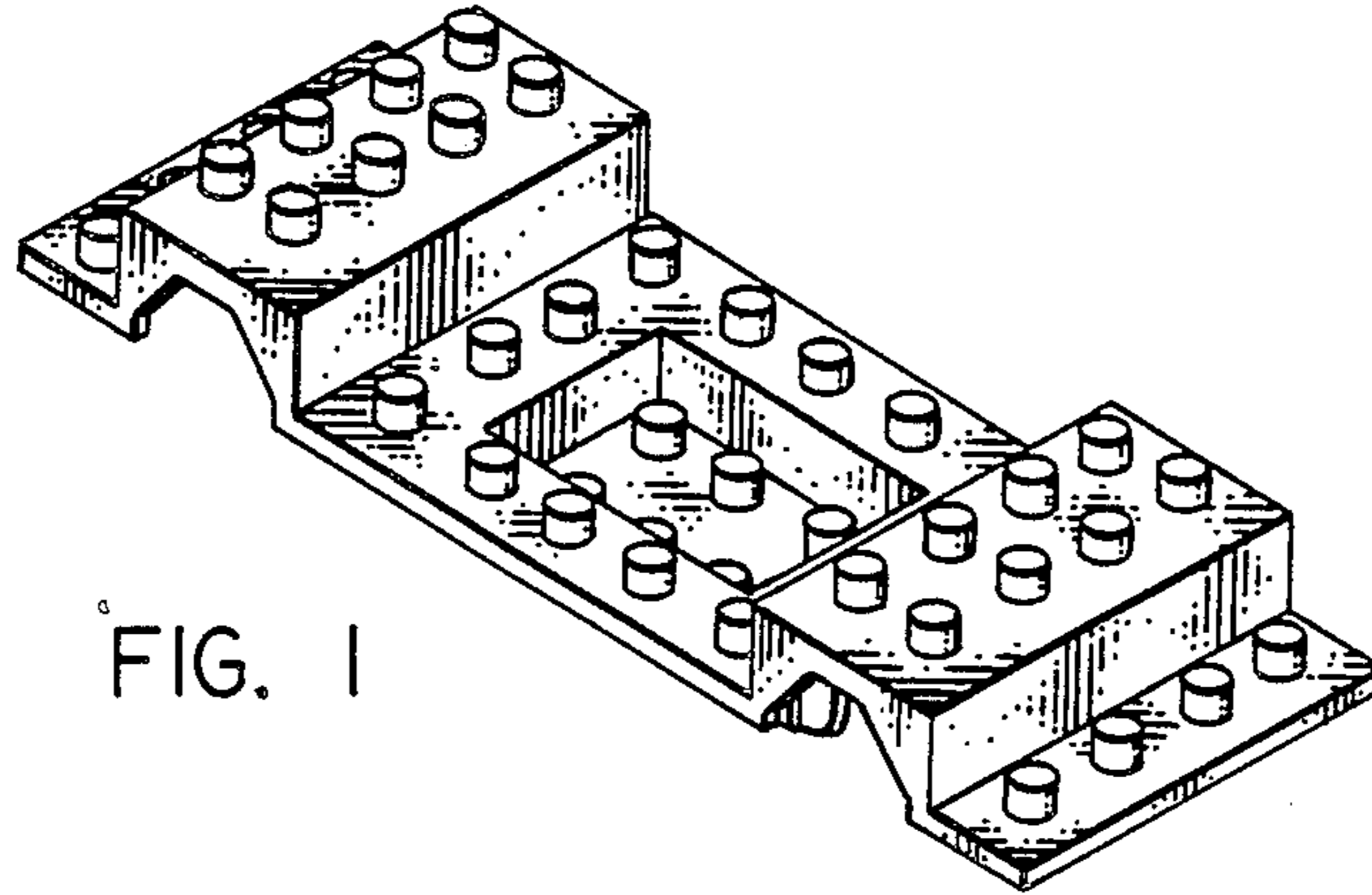


FIG. 1

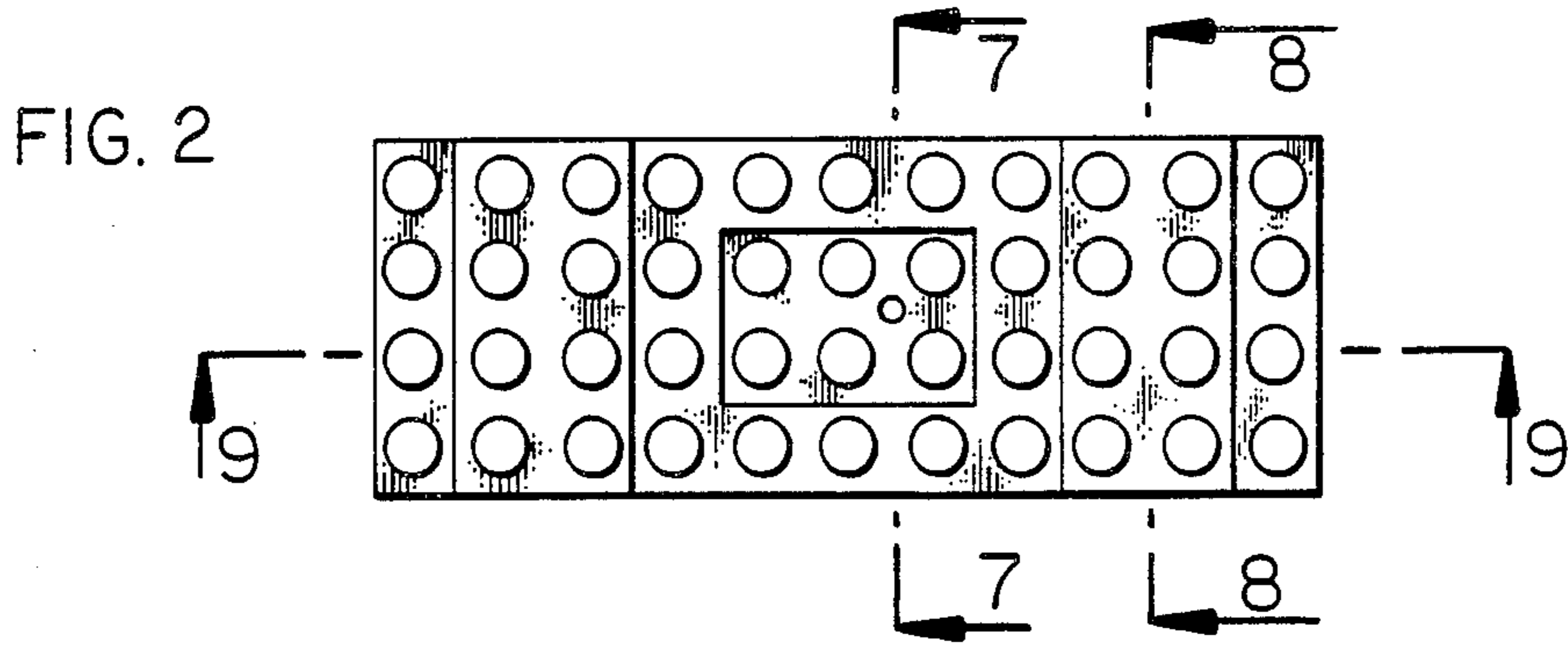


FIG. 2



FIG. 3

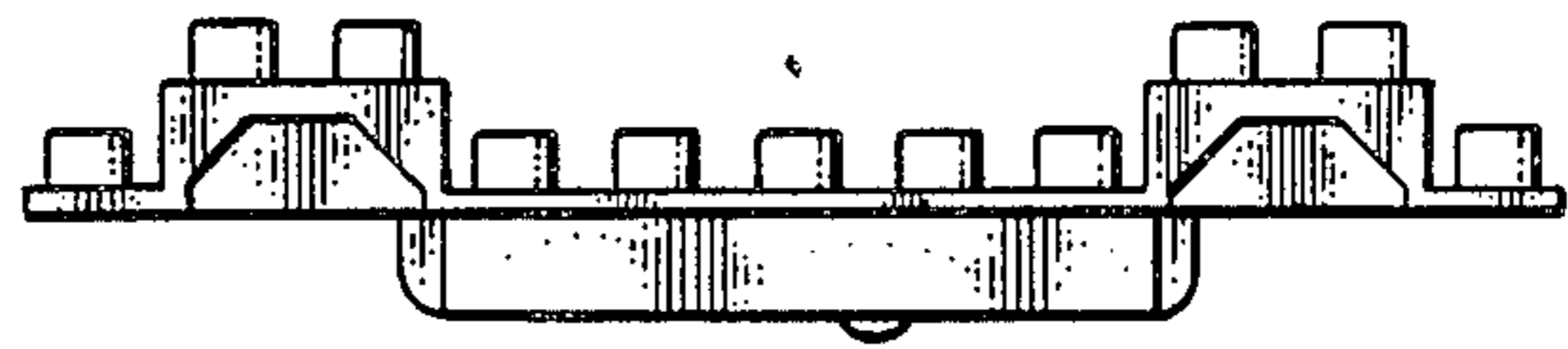


FIG. 4

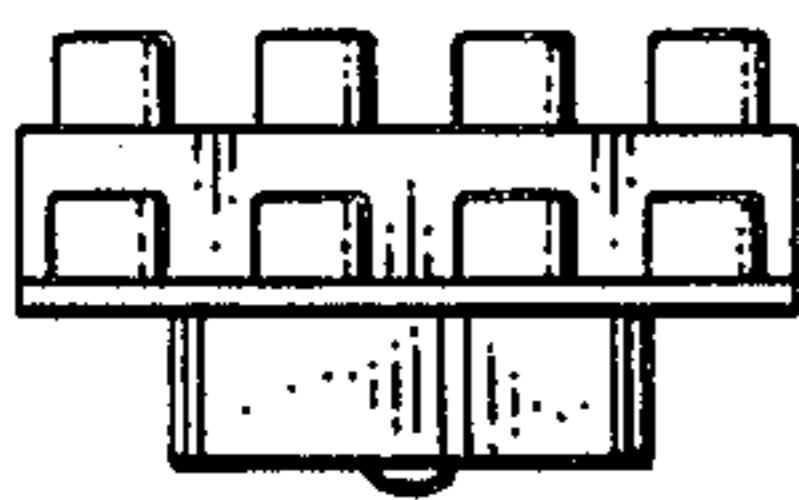


FIG. 5

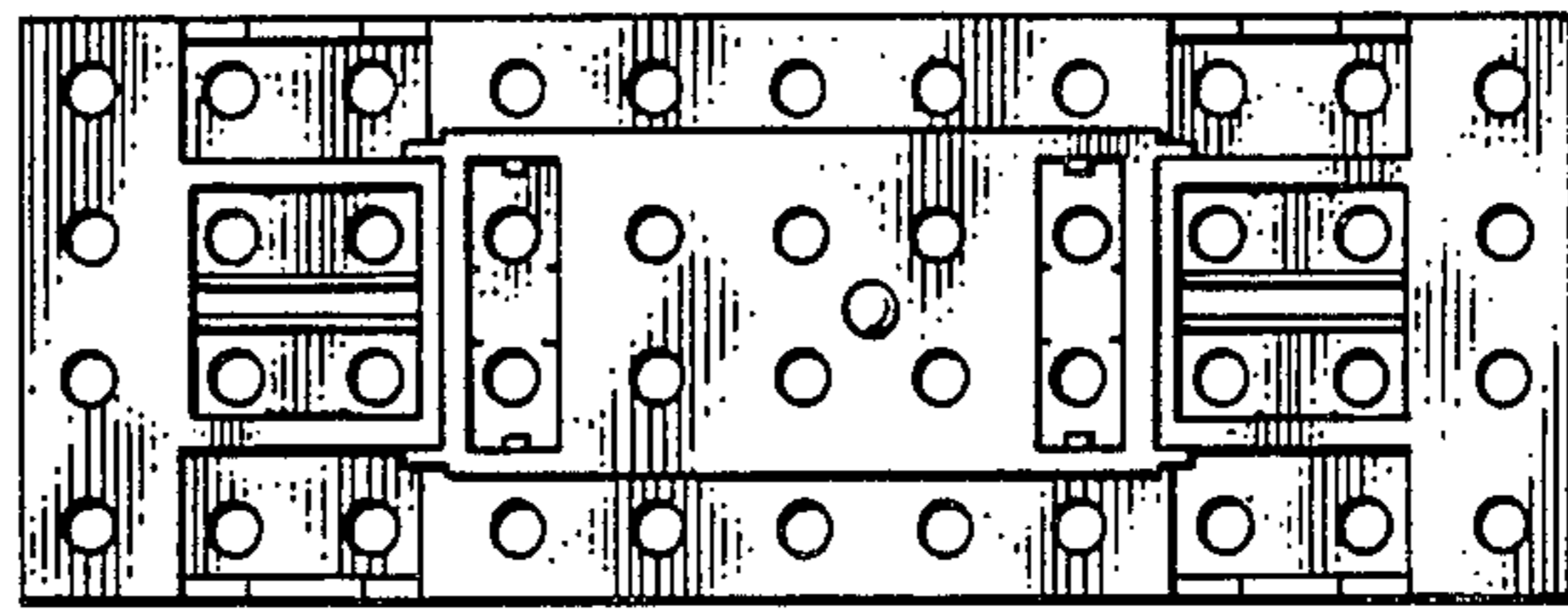


FIG. 6

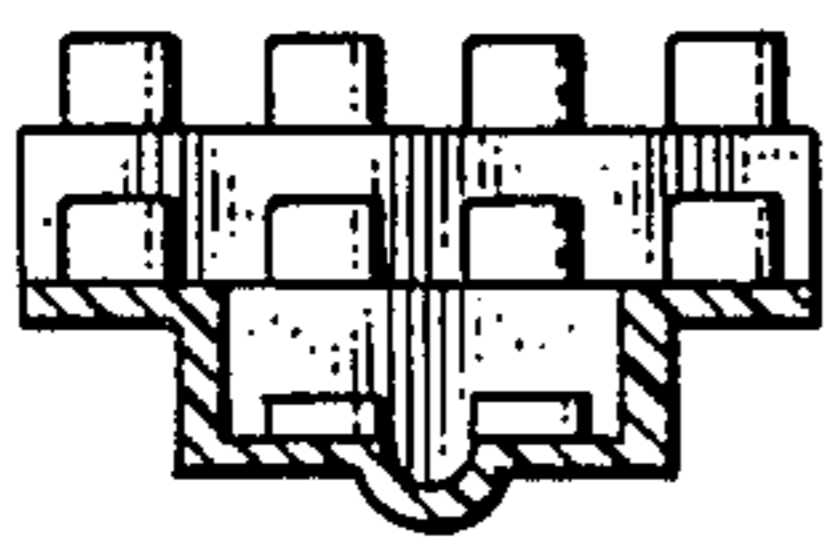


FIG. 7

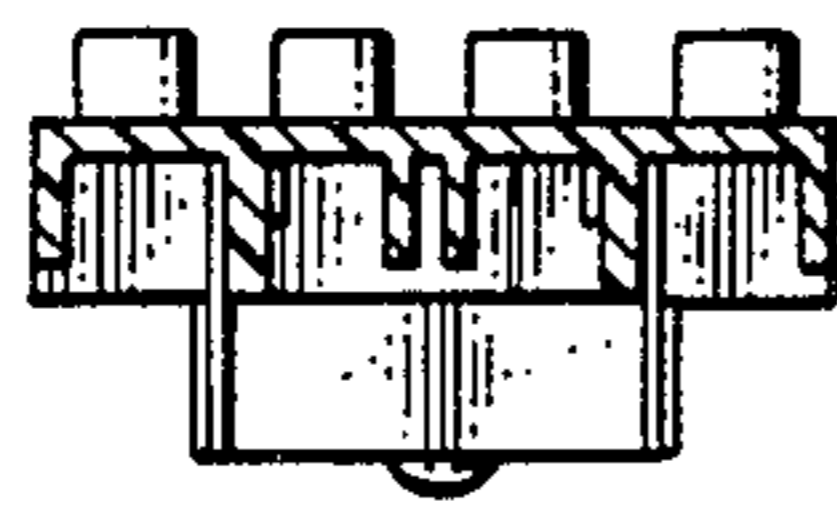


FIG. 8

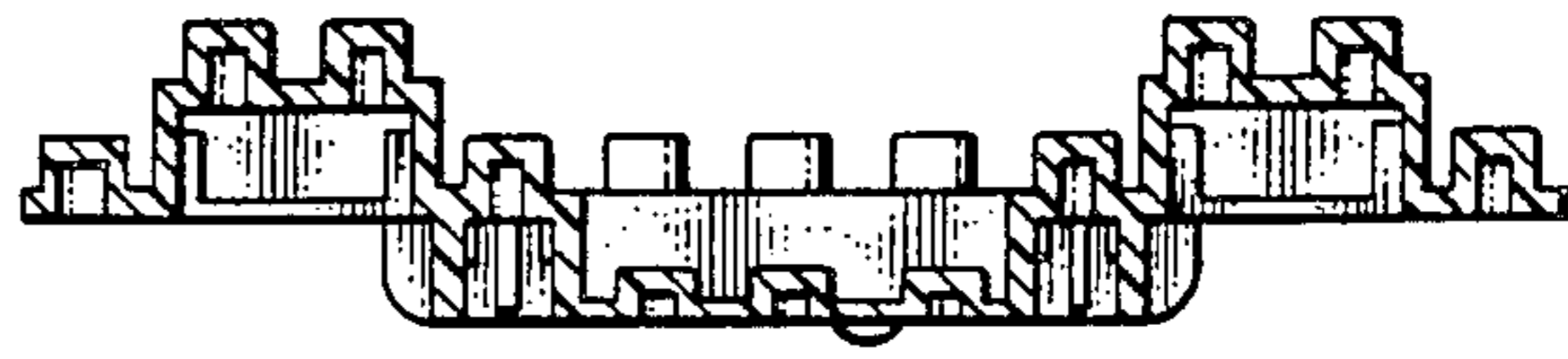


FIG. 9