

[54] TOY VEHICLE CHASSIS

[75] Inventor: Flemming H. Olsen, Espergaerde, Denmark

[73] Assignee: Interlego A.G., Baar, Switzerland

[**] Term: 14 Years

[21] Appl. No.: 935,567

[22] Filed: Nov. 26, 1986

[52] U.S. Cl. D21/108

[58] Field of Search D21/59, 108, 141; 446/85, 117, 118, 119, 120, 121, 122, 124, 95, 464, 457

[56] References Cited

U.S. PATENT DOCUMENTS

- D. 117,554 11/1939 Bojesen D21/141
- D. 287,519 12/1986 Takahashi D21/108
- 4,182,072 1/1980 Much 446/124

- 4,631,040 12/1986 Shiraishi 446/124
- 4,684,355 8/1987 Urakawa 446/124

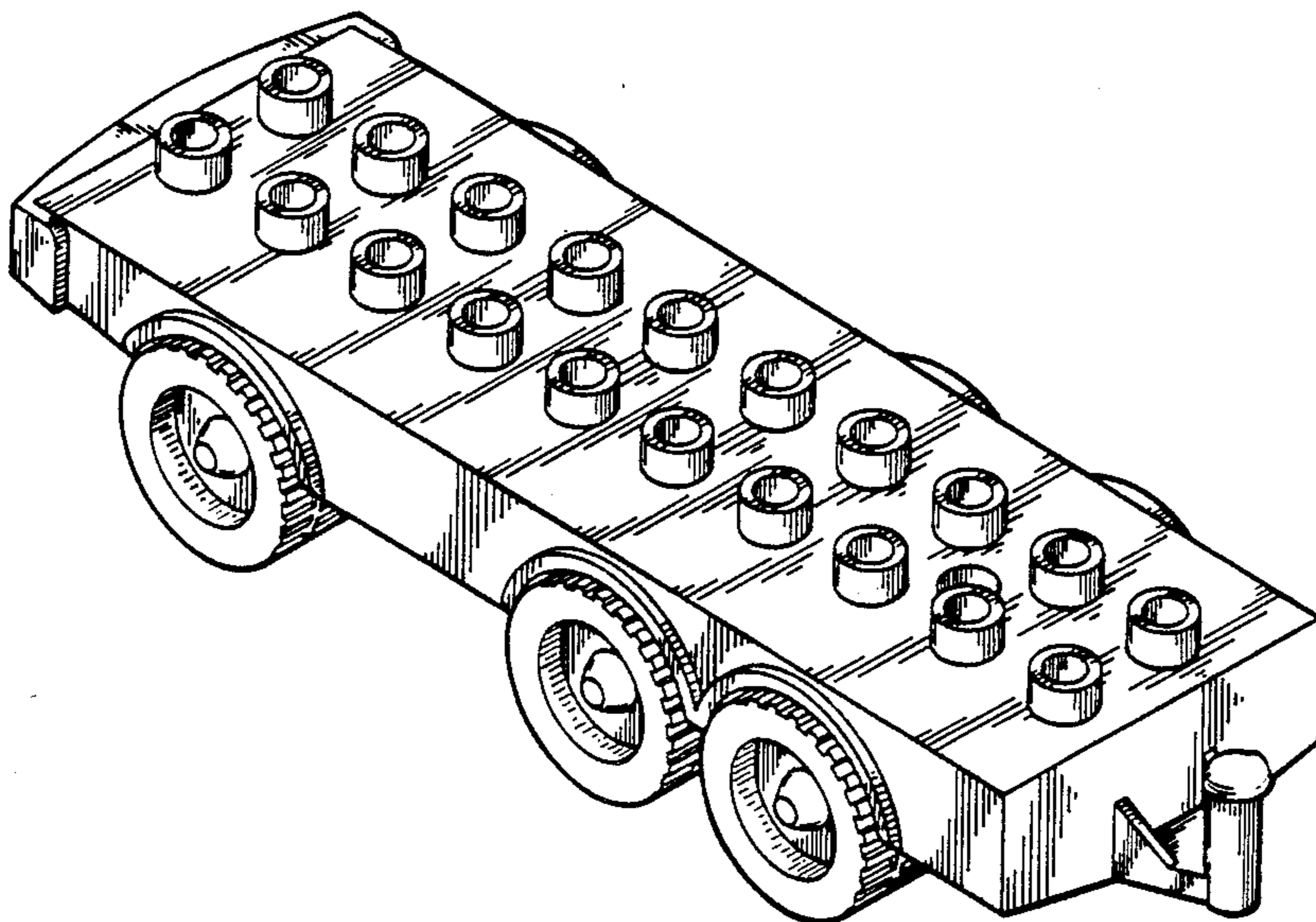
Primary Examiner—Charles A. Rademaker
Attorney, Agent, or Firm—Kane, Dalsimer, Sullivan, Kurucz, Levy, Eisele and Richard

[57] CLAIM

The ornamental design for a toy vehicle chassis, as shown and described.

DESCRIPTION

FIG. 1 is a top perspective view of the toy vehicle chassis showing my new design;
 FIG. 2 is a bottom perspective view thereof;
 FIG. 3 is a front elevational view thereof;
 FIG. 4 is a left side elevational view thereof;
 FIG. 5 is a right side elevational view thereof;
 FIG. 6 is a top plan view thereof;
 FIG. 7 is a bottom plan view thereof; and
 FIG. 8 is a rear elevational view thereof.



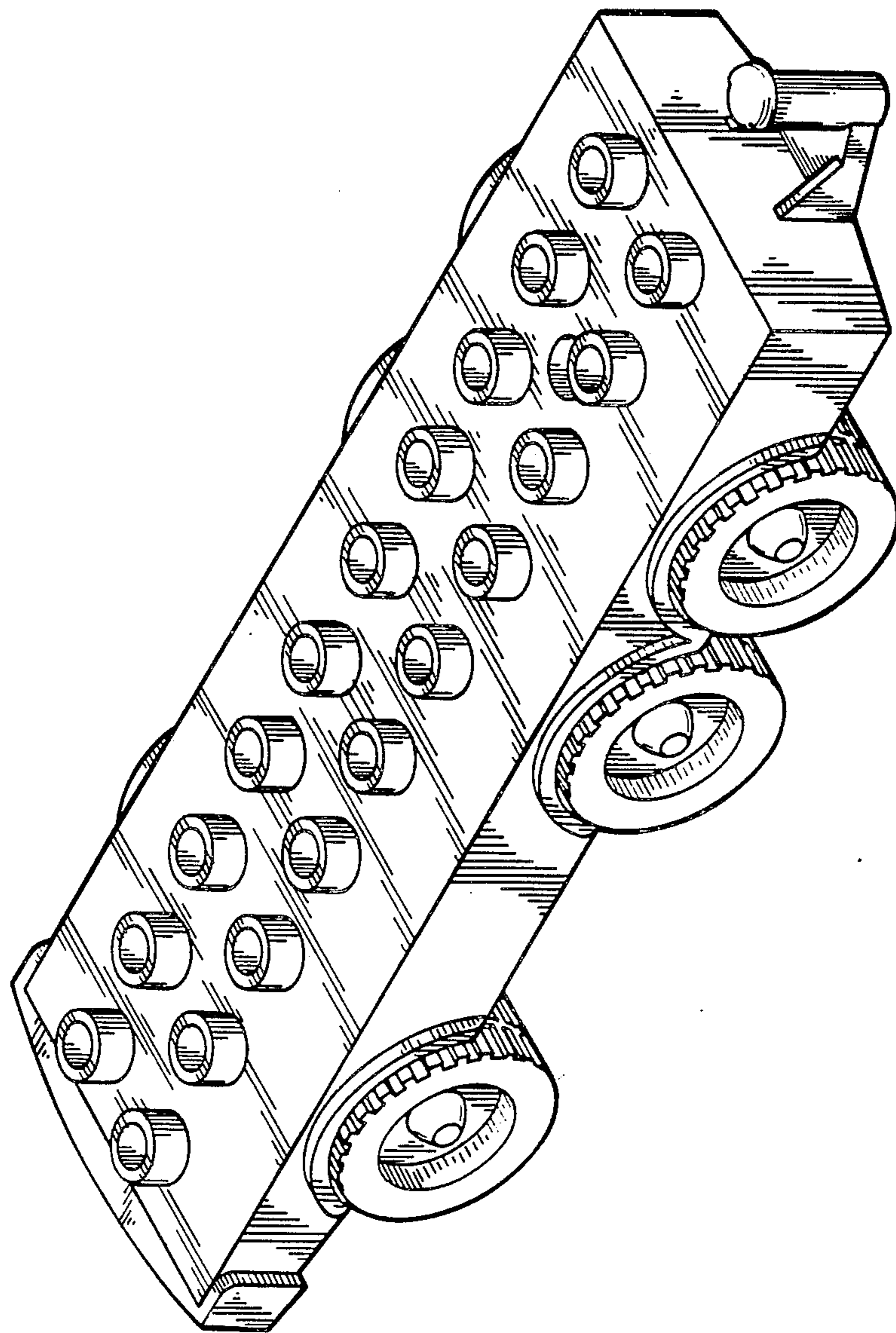


Fig. 1

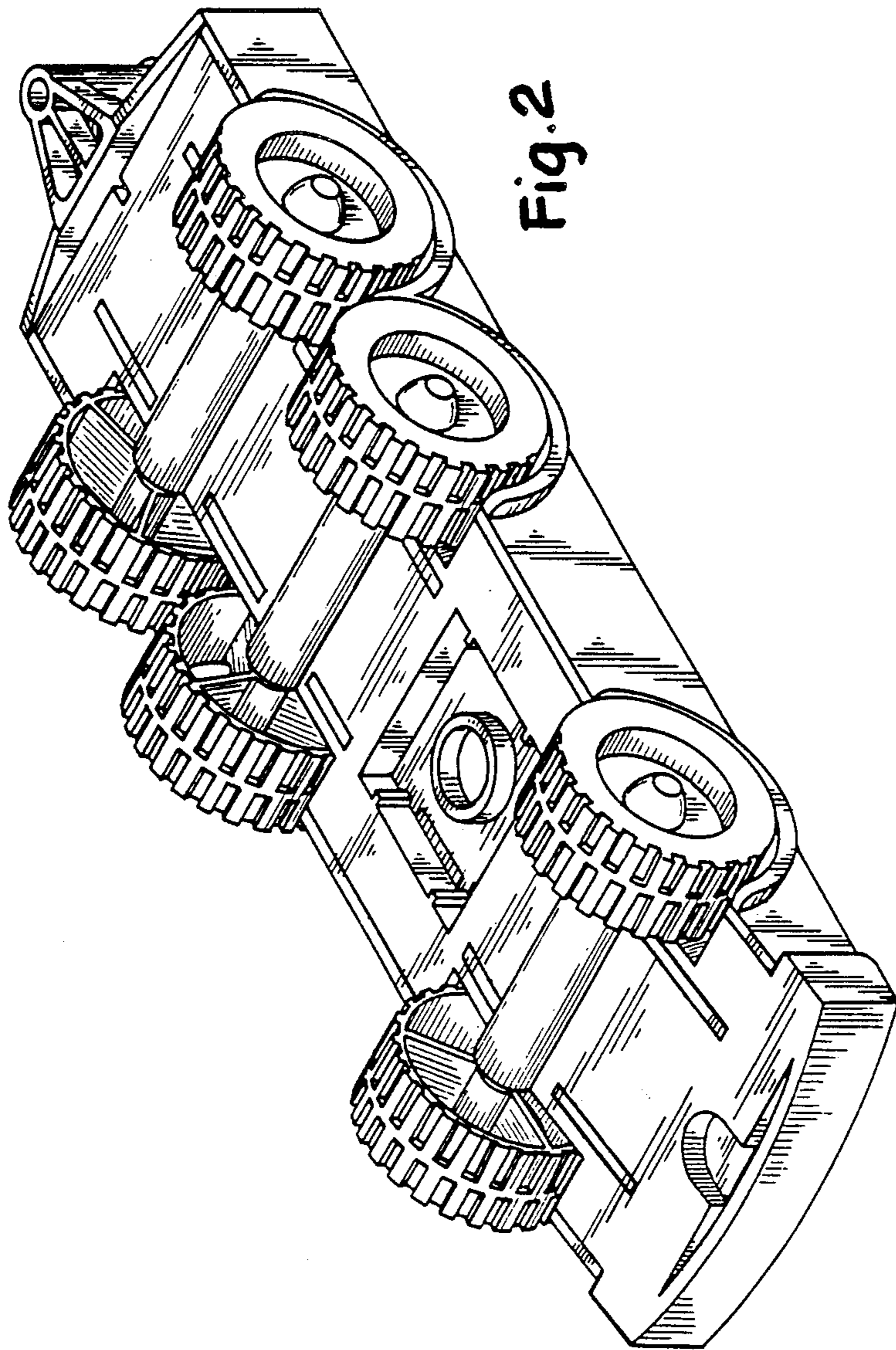


Fig. 2

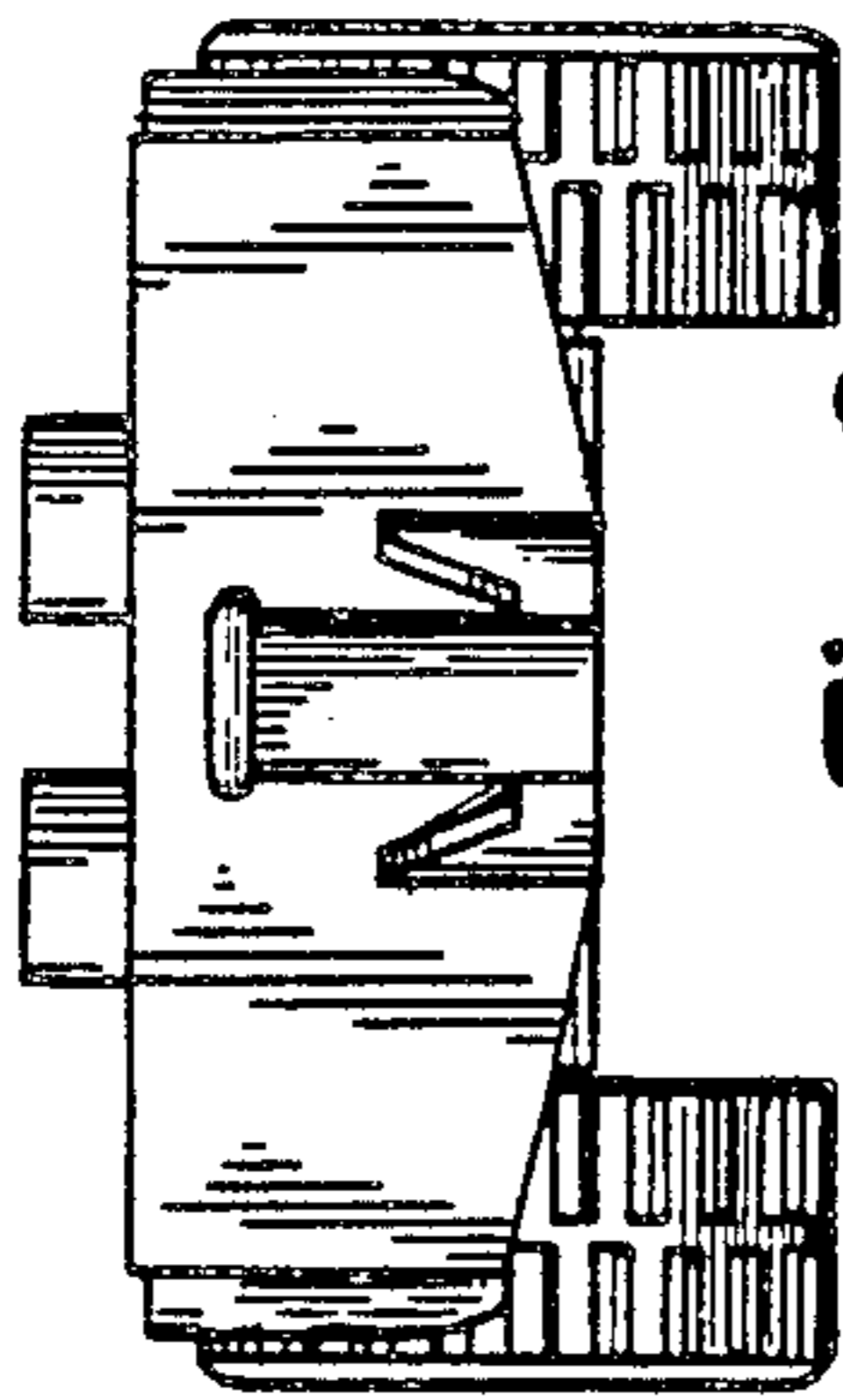


Fig. 3

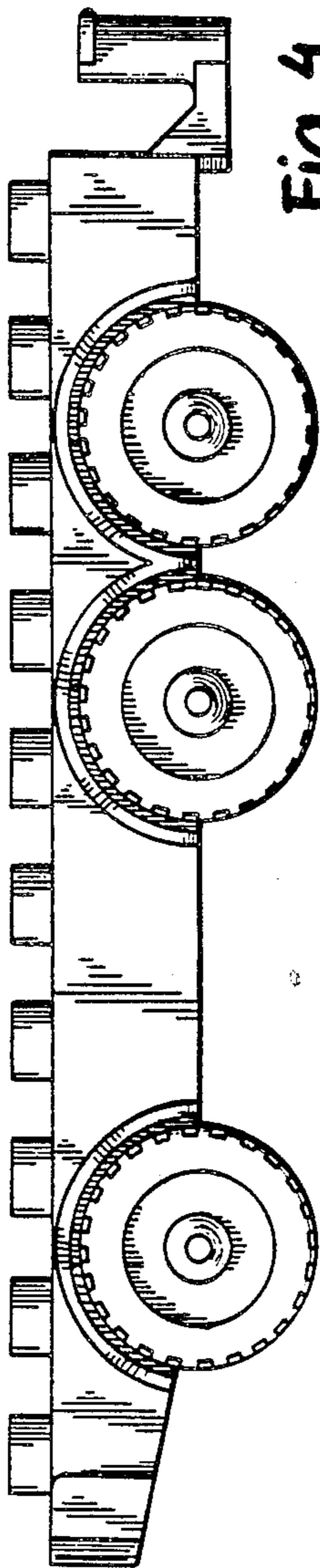


Fig. 4

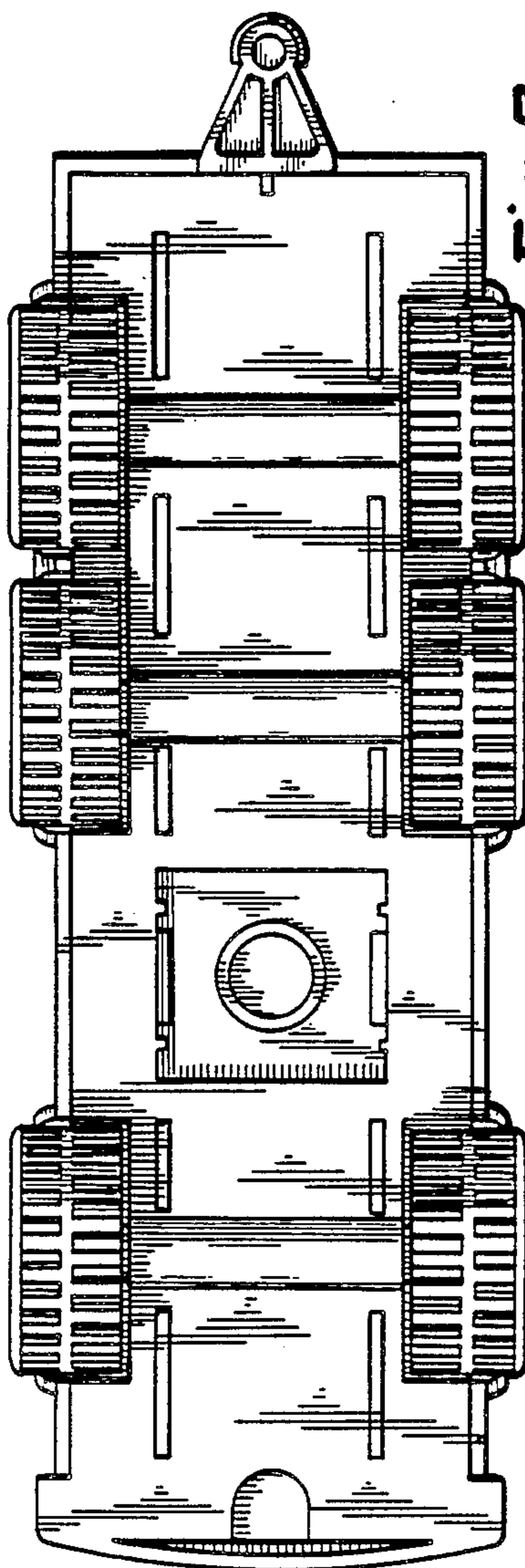


Fig. 7

