

[54] TOY BUILDING ELEMENT

3,367,063 2/1968 Bondesen et al. 446/119

[75] Inventor: Erling T. Dideriksen, Billund, Denmark

Primary Examiner—Charles A. Rademaker
Attorney, Agent, or Firm—Kane, Dalsimer, Sullivan,
Kurucz, Levy, Eisele and Richard

[73] Assignee: Interlego A.G., Baar, Switzerland

[**] Term: 14 Years

[57] CLAIM

[21] Appl. No.: 935,564

The ornamental design for a toy building element, as shown and described.

[22] Filed: Nov. 26, 1986

DESCRIPTION

[52] U.S. Cl. D21/108

[58] Field of Search D21/59, 108, 104, 105;
446/85, 87, 104, 111, 118, 120, 121, 124, 128,
119; D25/87, 88

FIG. 1 is a top perspective view of a toy building element showing my new design;

FIG. 2 is a bottom perspective view thereof;

FIG. 3 is a front elevational view thereof;

FIG. 4 is a right side elevational view thereof;

FIG. 5 is a left side elevational view thereof;

FIG. 6 is a top plan view thereof;

FIG. 7 is a bottom plan view thereof; and,

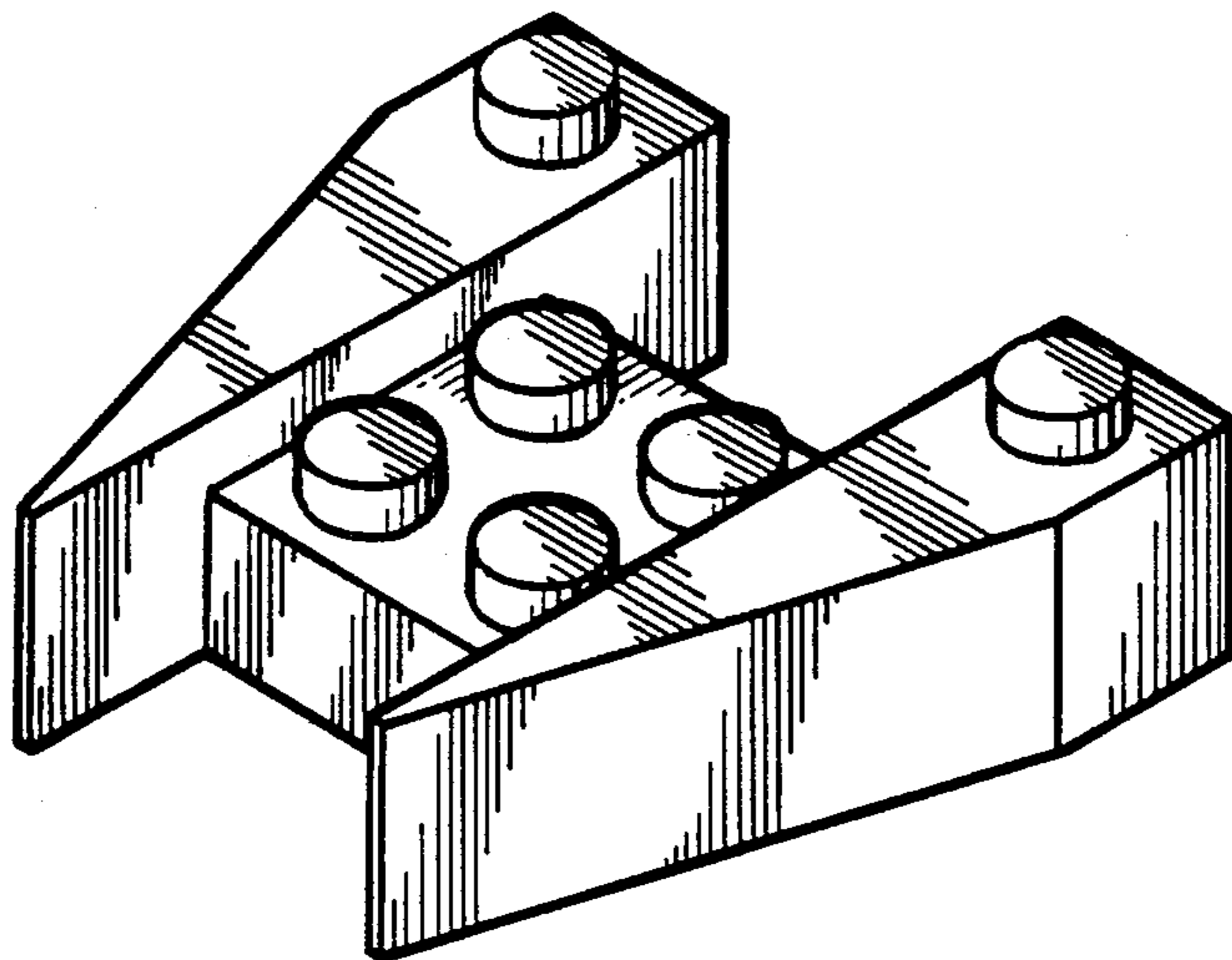
FIG. 8 is a rear elevational view thereof.

[56] References Cited

U.S. PATENT DOCUMENTS

D. 285,100 8/1986 Volpe D21/108

D. 285,707 9/1986 Dideriksen D21/108



5
3

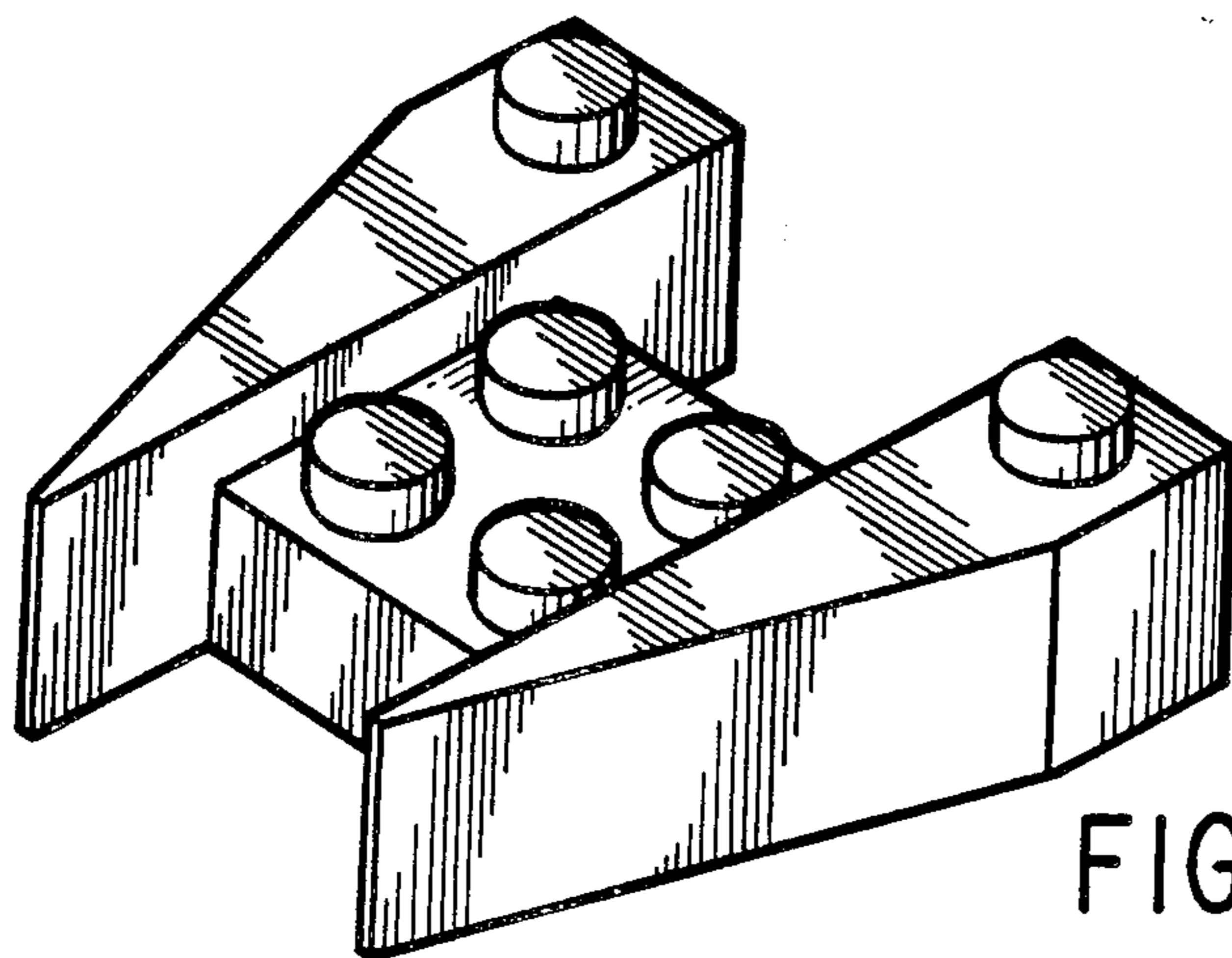


FIG. 1

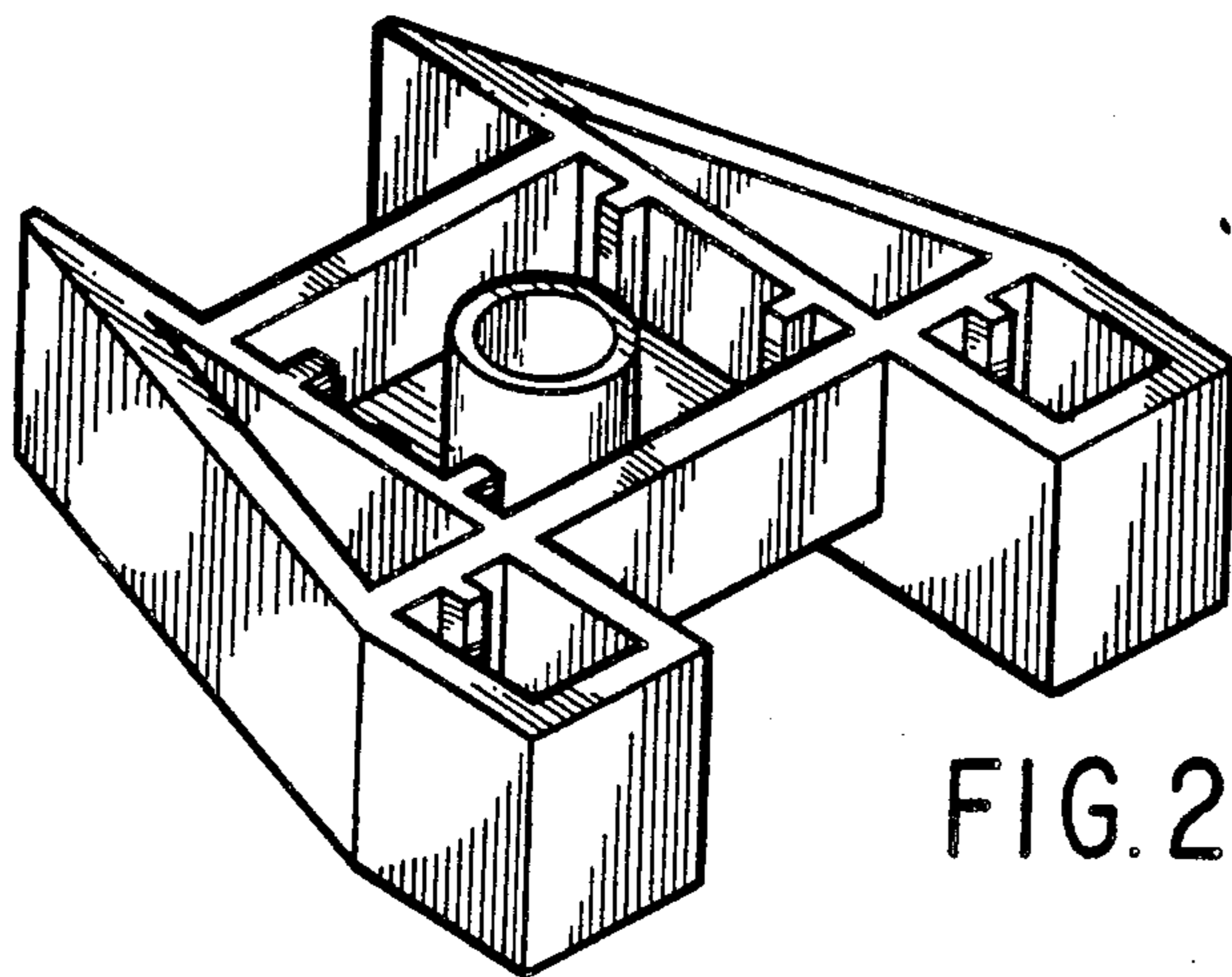


FIG. 2

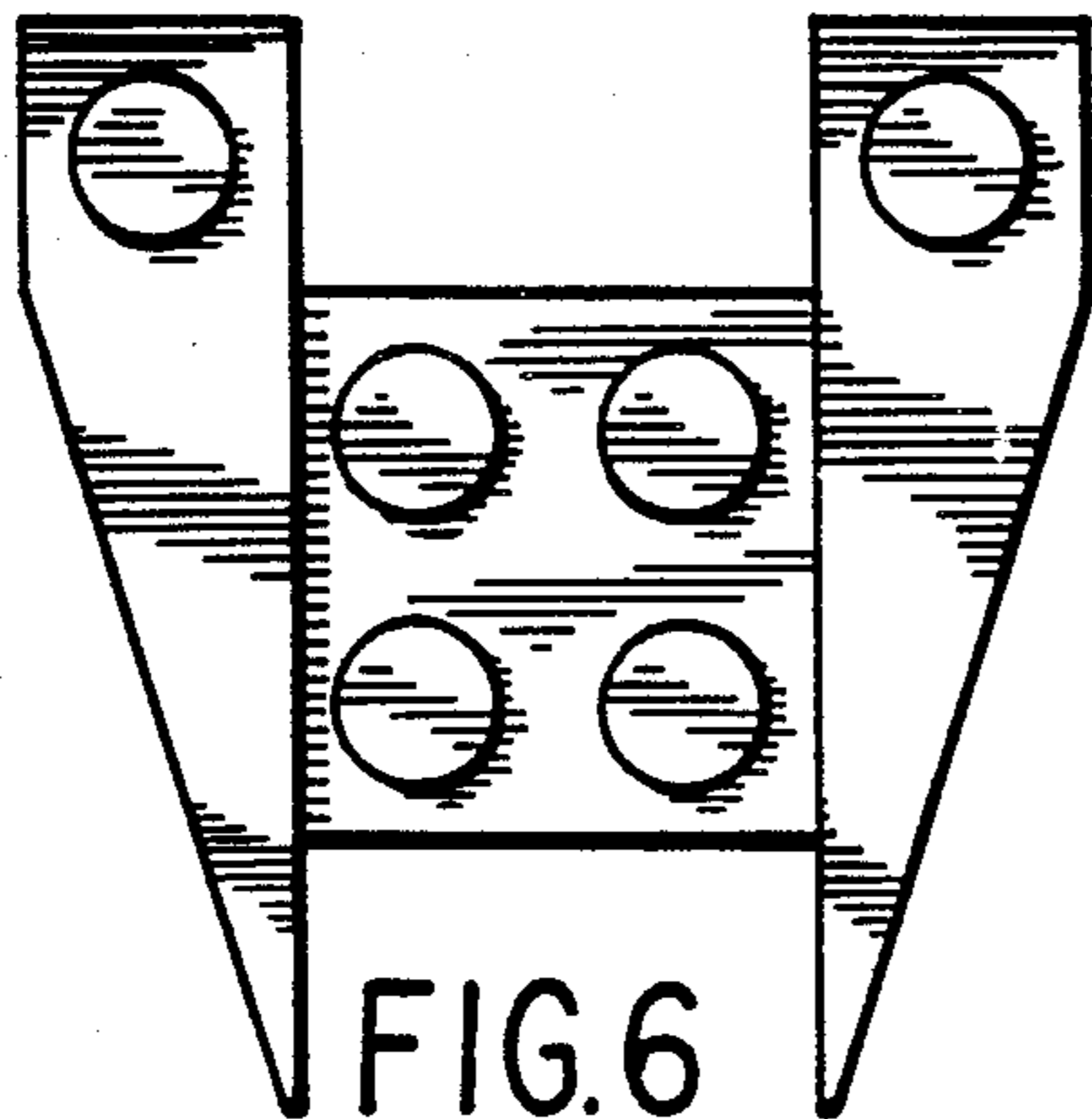


FIG. 6

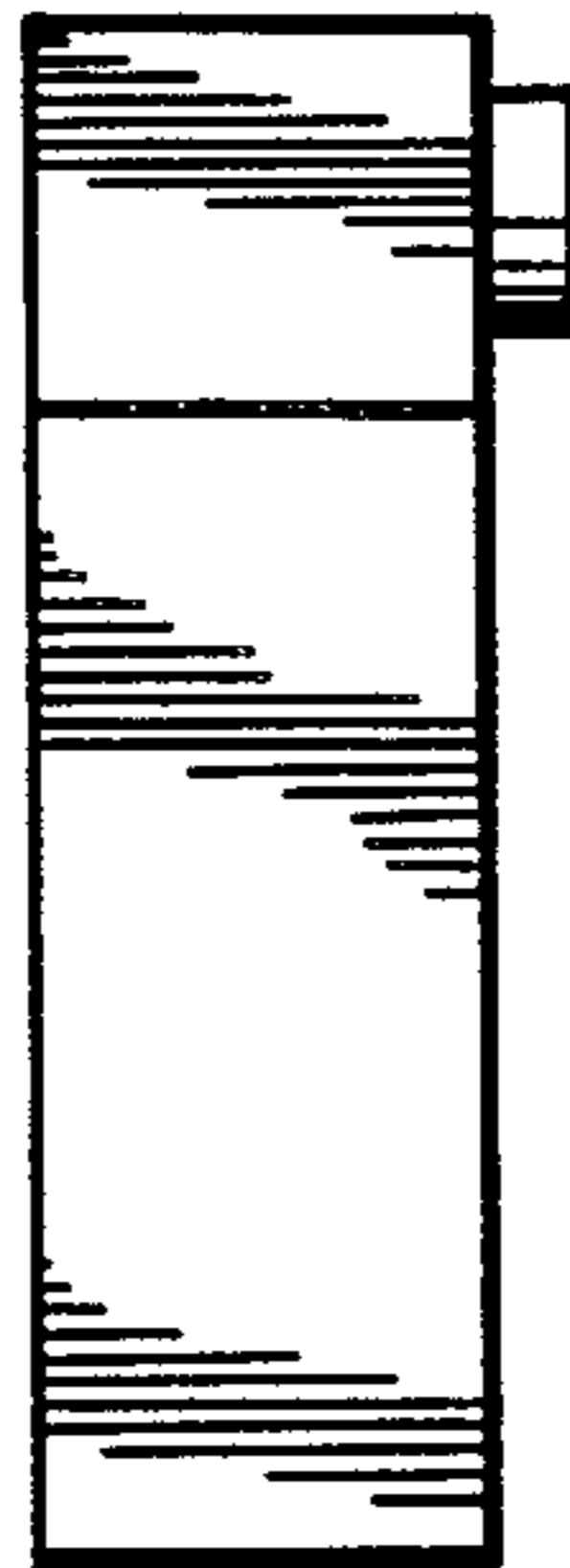


FIG. 4

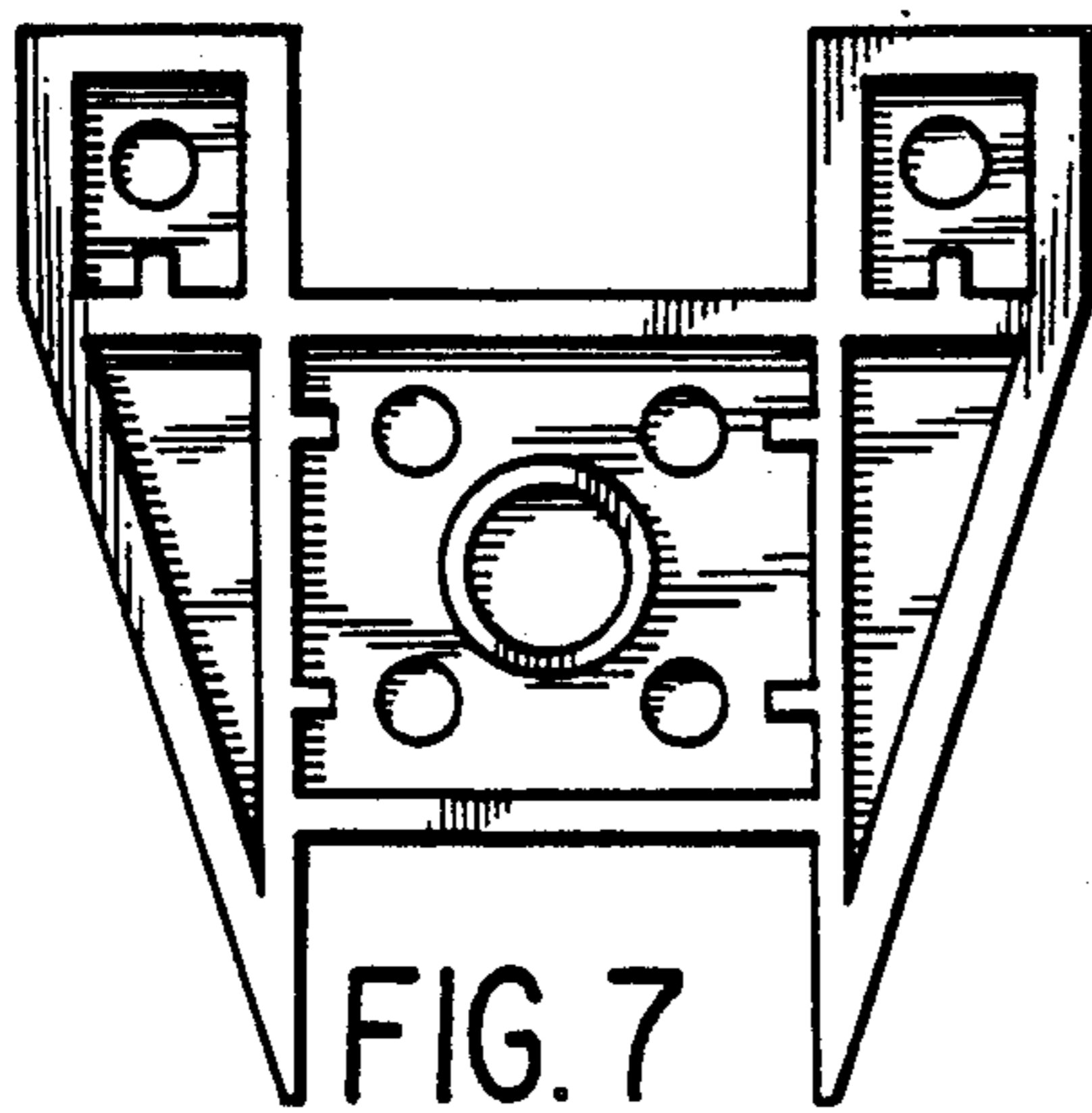


FIG. 7

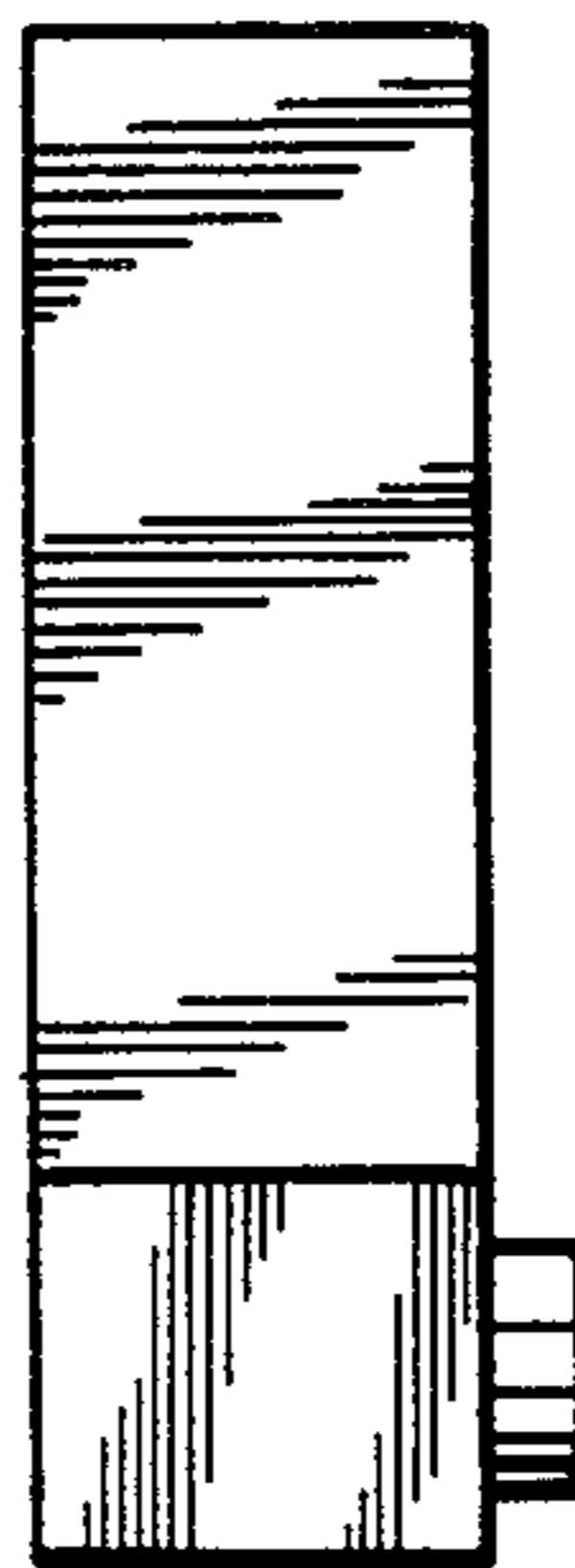


FIG. 5

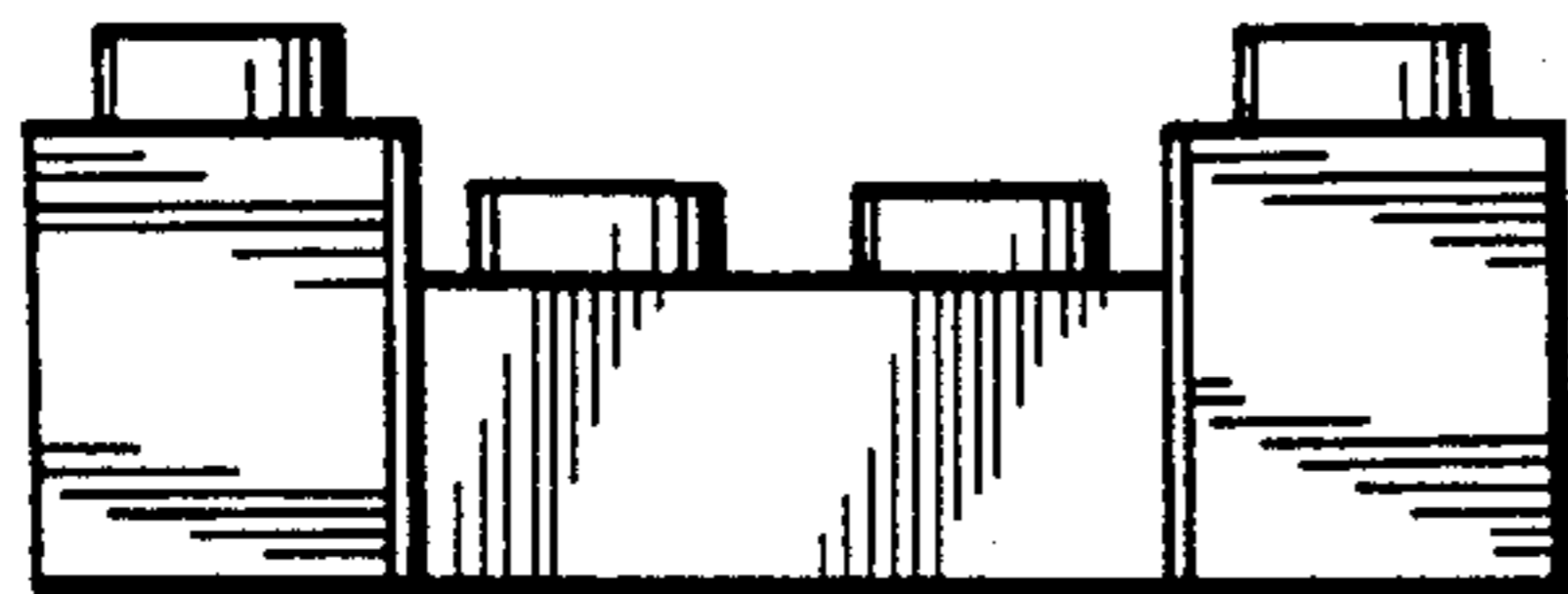


FIG. 3

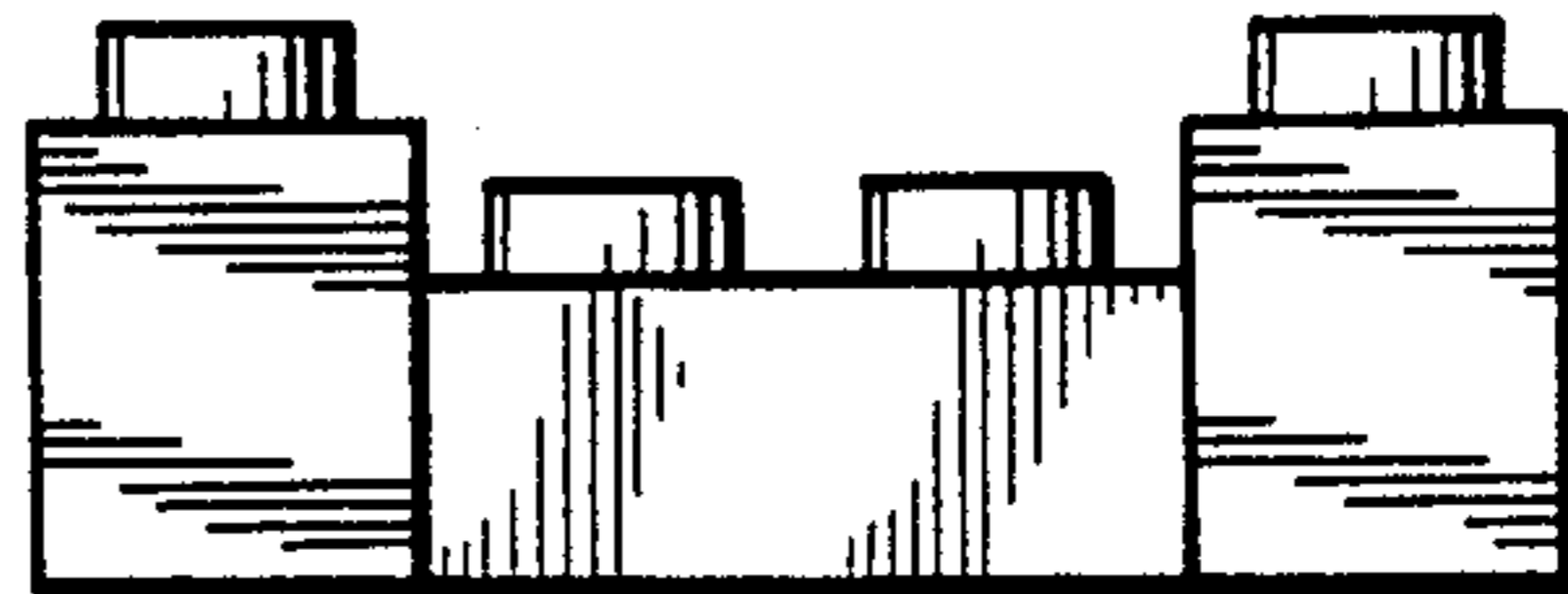


FIG. 8