

[54] LABEL DISPENSER

[75] Inventors: Allen H. Oglander, St. Louis County; Richard E. Shannon, Eldon County, both of Mo.

[73] Assignee: Commercial Mailing Accessories, Inc., St. Louis, Mo.

[\*\*] Term: 14 Years

[21] Appl. No.: 721,179

[22] Filed: Apr. 8, 1985

[52] U.S. Cl. .... D20/2; D20/8; D18/19

[58] Field of Search ..... D19/67, 68; D18/19, D18/13, 14, 15, 18, 22, 99; D16/29; D20/1-9; 101/288; 156/384, DIG. 48, DIG. 49

[56] References Cited

U.S. PATENT DOCUMENTS

D. 115,074	5/1939	Boetticher .....	D18/13
D. 226,592	3/1973	Noack .....	D18/19 X
D. 273,202	3/1984	Oglander et al. ....	D18/19
3,320,867	5/1967	Miller .....	D16/29 X
3,619,324	6/1969	Yosato et al. ....	D18/19 X

Primary Examiner—Bruce W. Dunkins  
Assistant Examiner—Theodore M. Shooman  
Attorney, Agent, or Firm—Kalish & Gilster

[57] CLAIM

The ornamental design for a label dispenser, as shown and described.

DESCRIPTION

FIG. 1 is a right side elevational view of a label dispenser showing our new design; FIG. 2 is a rear elevational view thereof; FIG. 3 is a front elevational view thereof; FIG. 4 is a left side elevational view thereof; and FIG. 5 is a top plan view thereof.

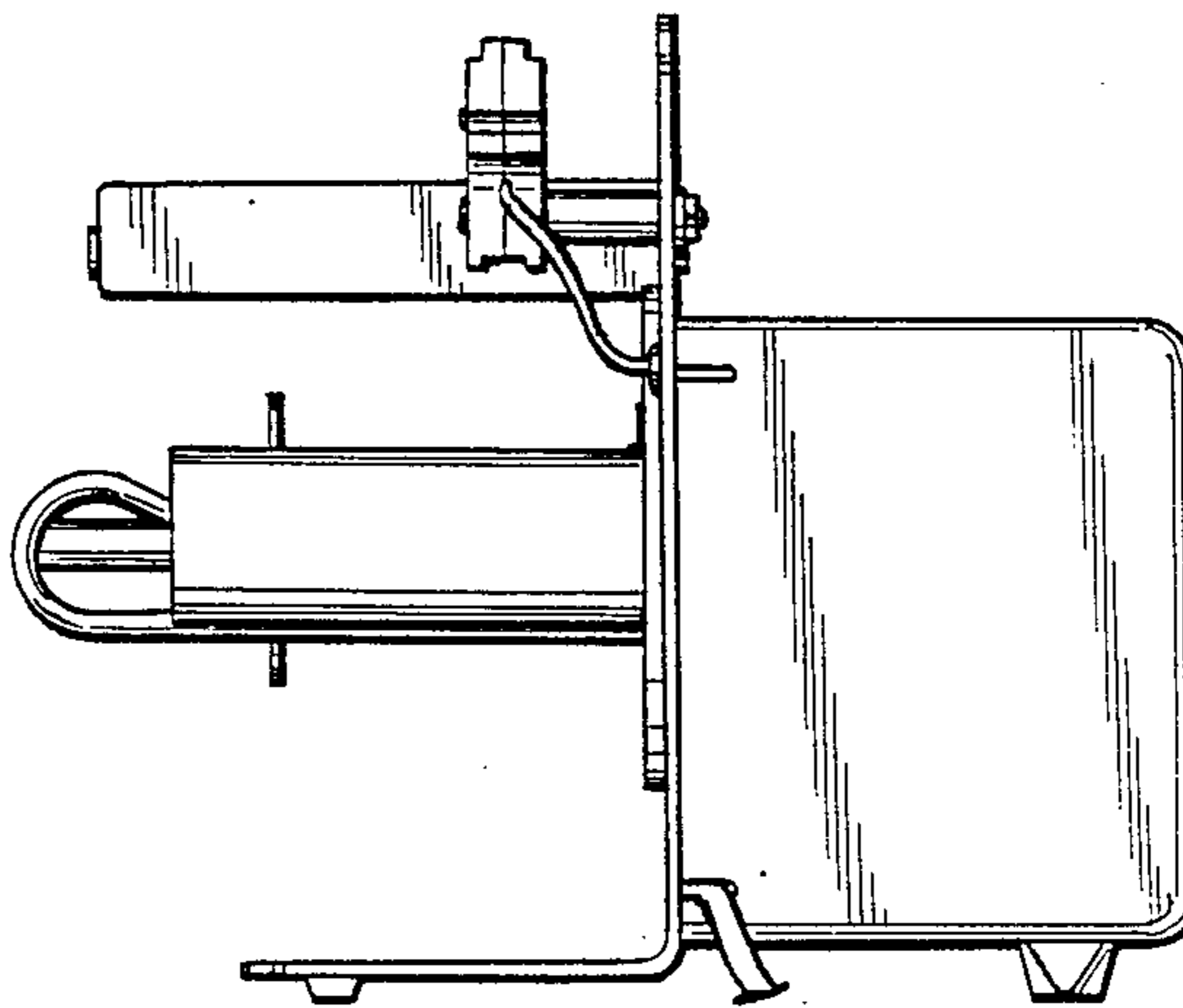
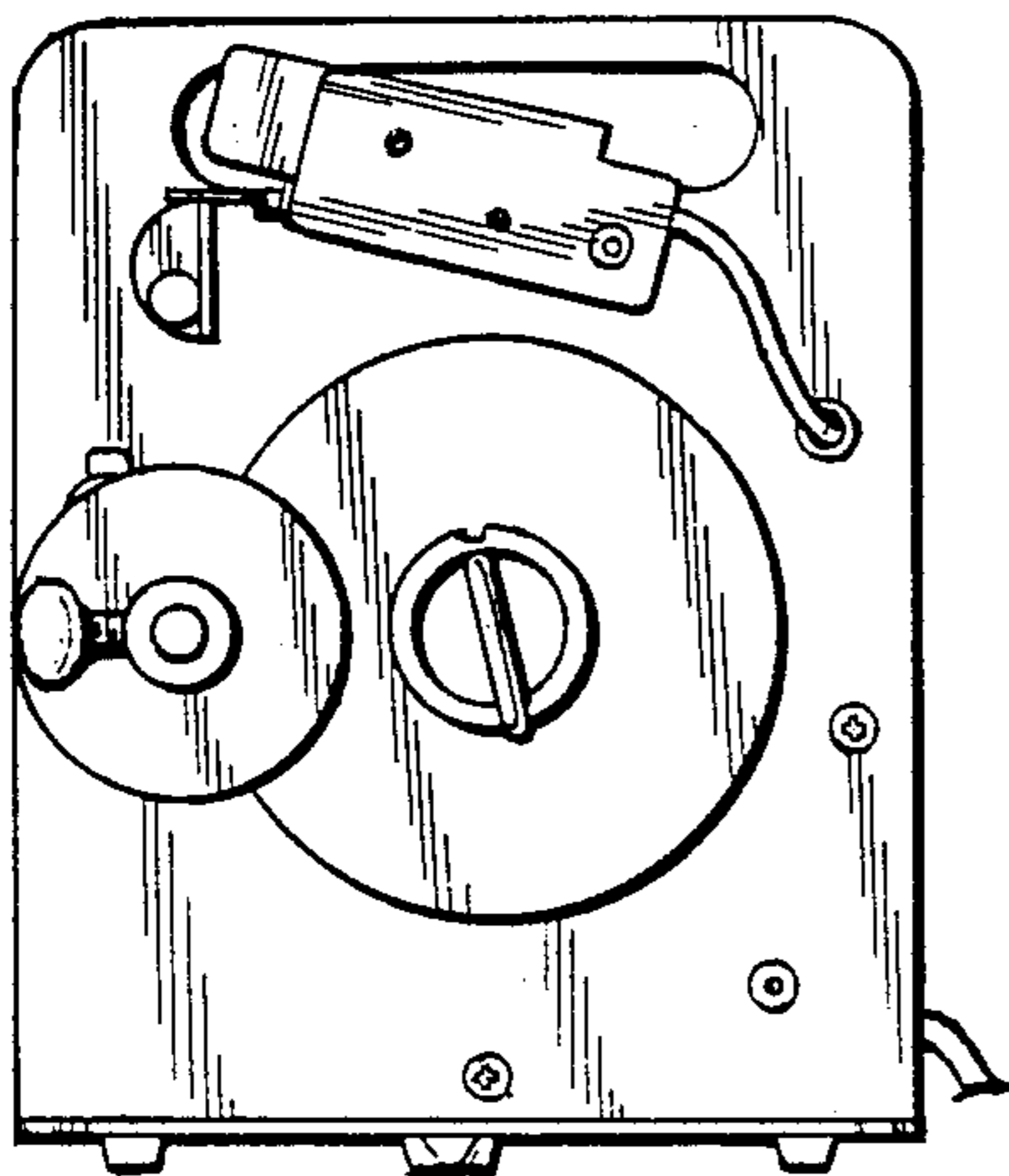


FIG. 1

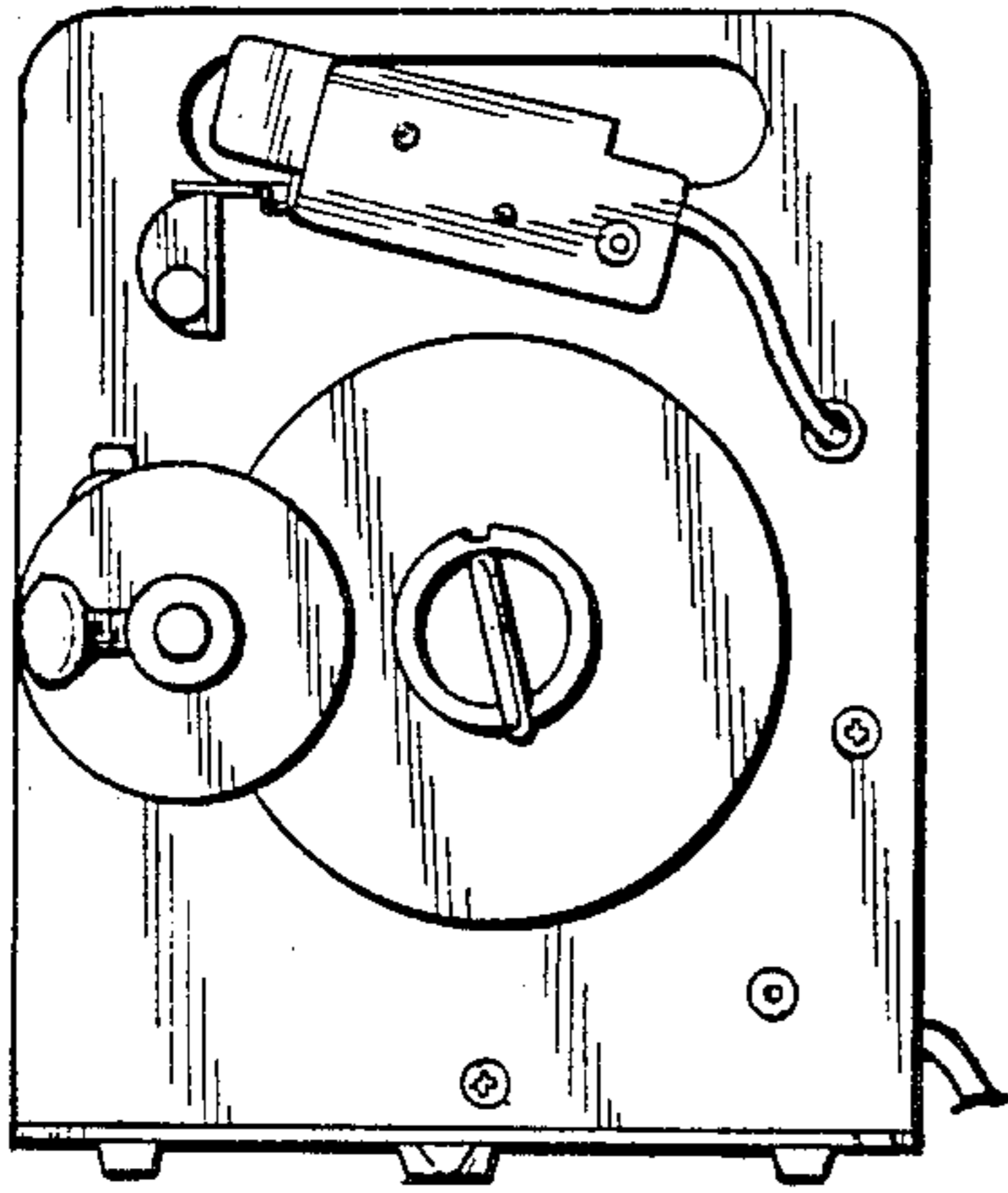


FIG. 2

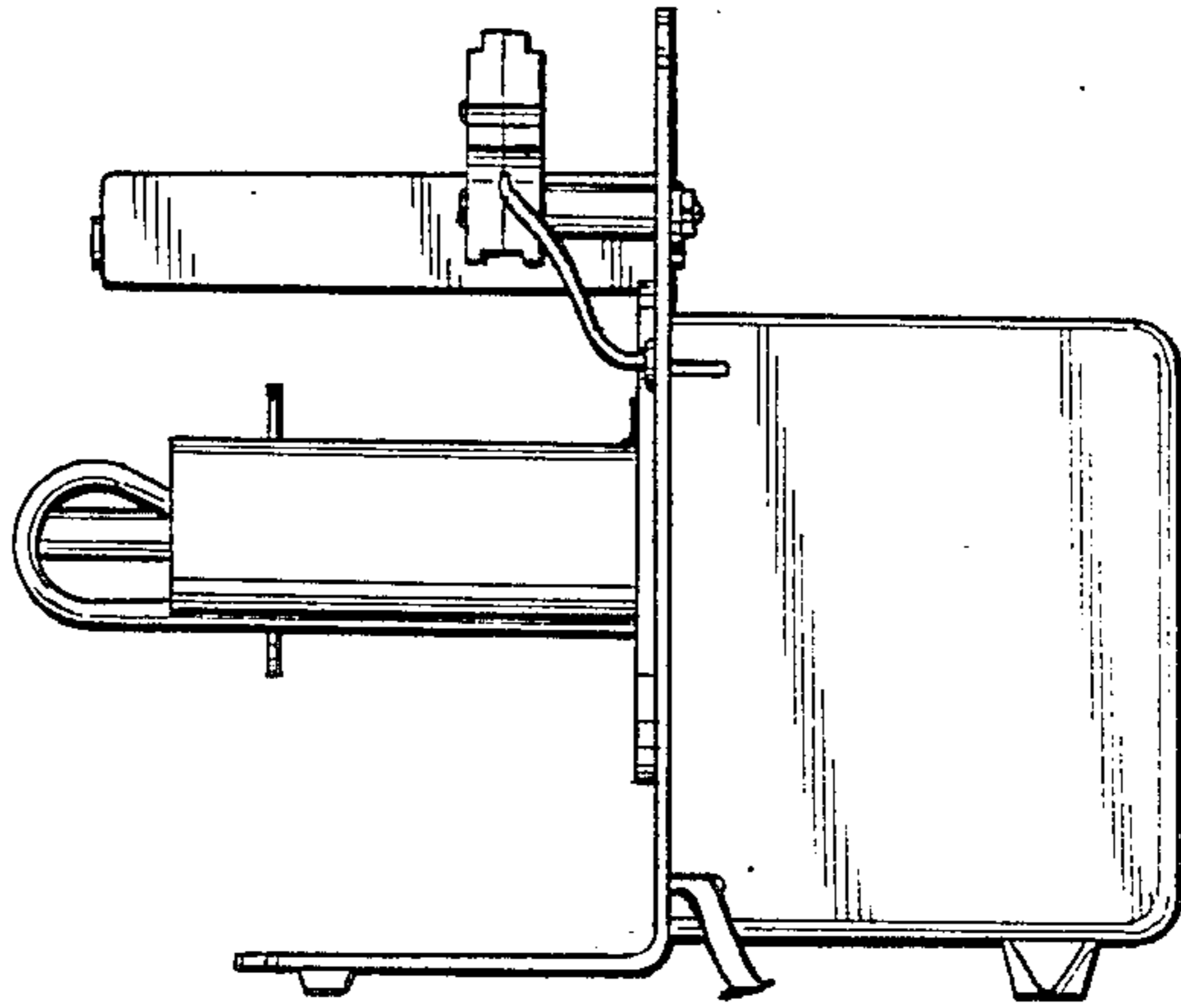


FIG. 3

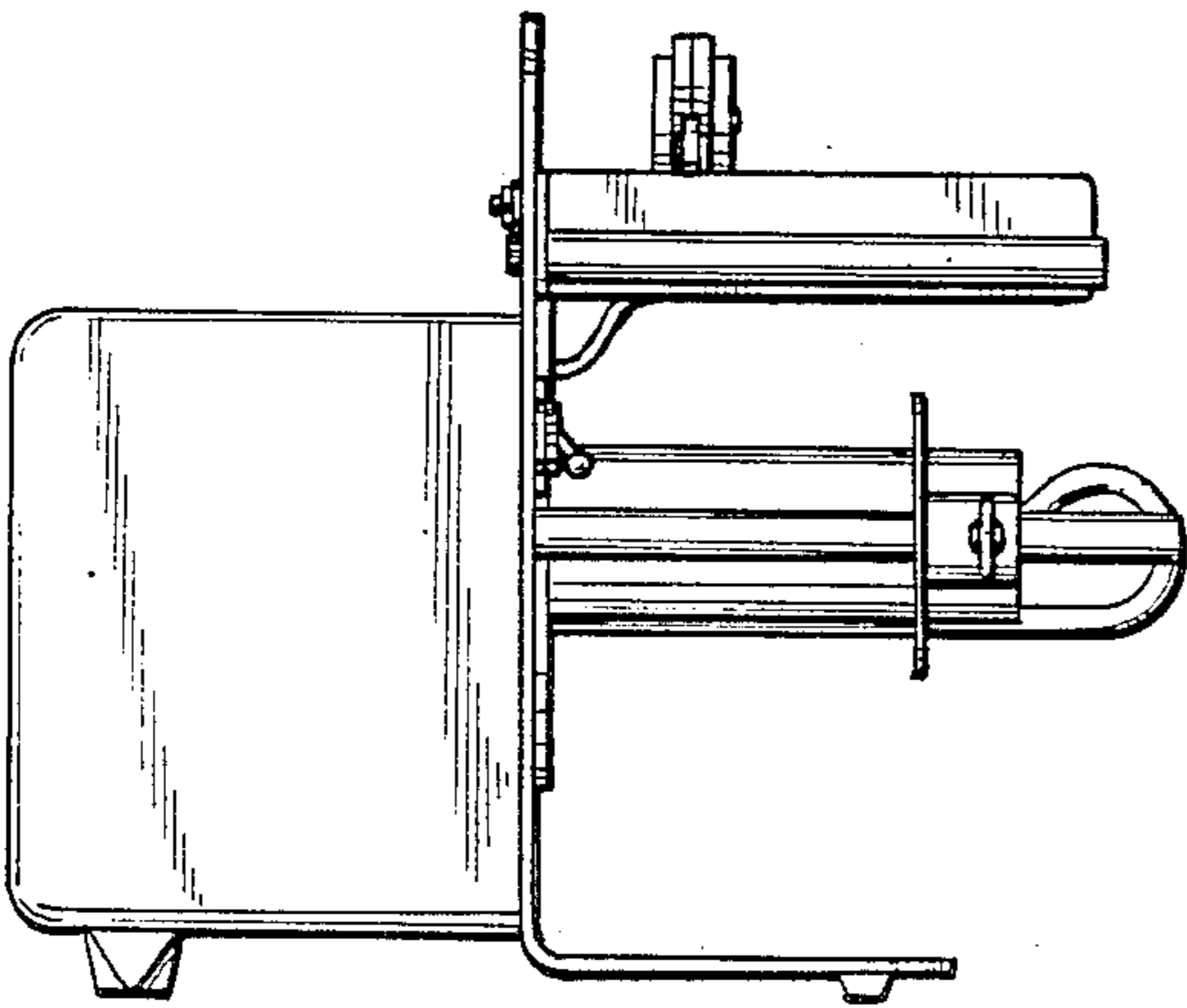


FIG. 4

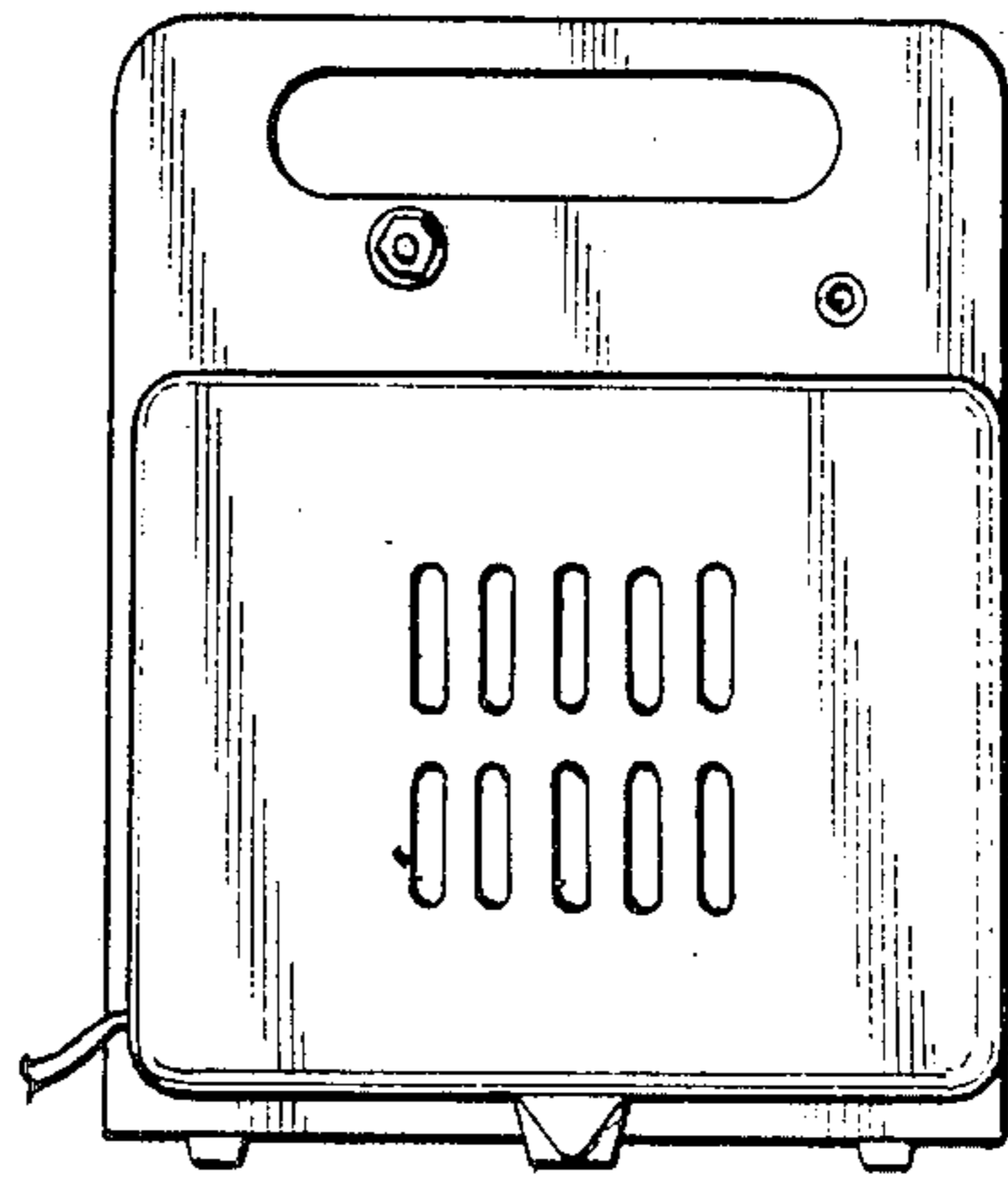
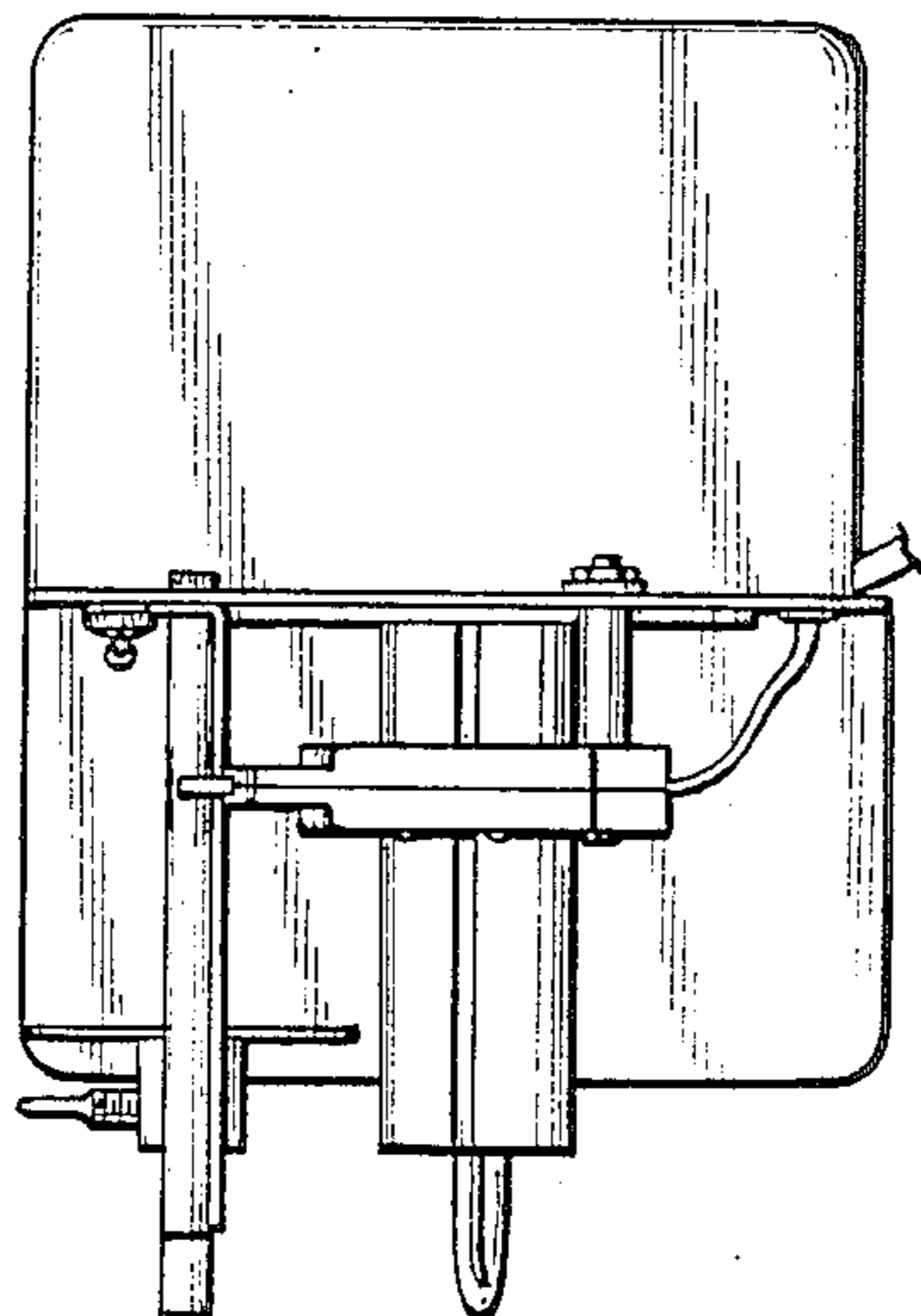


FIG. 5



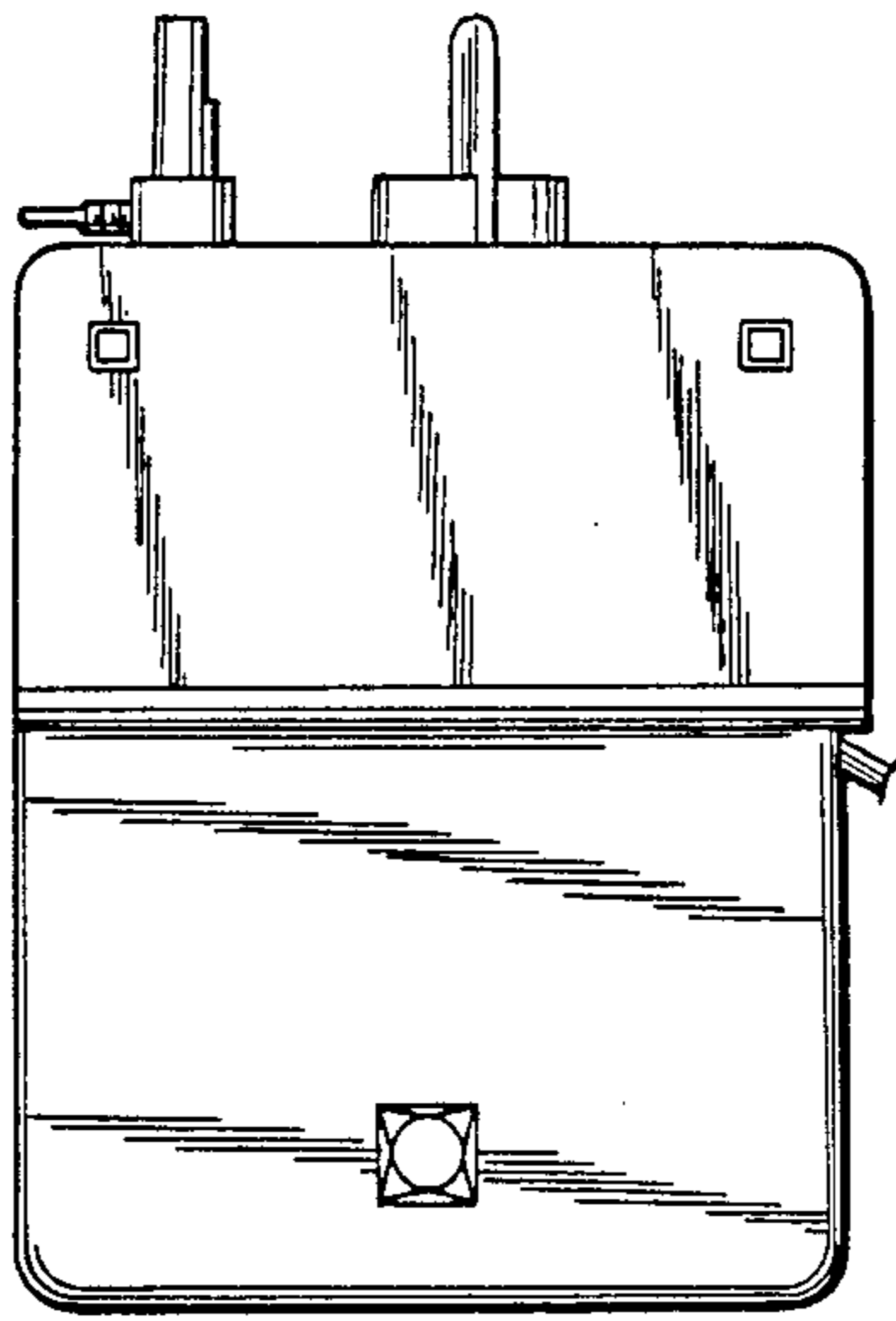


FIG. 6