

United States Patent [19]

Emslie

[11] Patent Number: **Des. 295,629**

[45] Date of Patent: **** May 10, 1988**

[54] **BANDSAW**

[75] Inventor: **Donald J. Emslie, Guelph, Canada**

[73] Assignee: **Pentair Canada, Inc, Guelph, Canada**

[**] Term: **14 Years**

[21] Appl. No.: **773,695**

[22] Filed: **Sep. 9, 1985**

[30] **Foreign Application Priority Data**

Aug. 9, 1985 [CA] Canada 09-08-85-1

[52] U.S. Cl. **D15/134**

[58] Field of Search D15/133, 134; 83/788,
83/794, 821, 782, 794, 809-813

[56] **References Cited**

U.S. PATENT DOCUMENTS

D. 185,061 5/1959 Brennan D15/134
D. 186,097 9/1959 Smith D15/134

D. 286,537 11/1986 Yamamoto D15/134
3,311,007 3/1967 McGee 83/788
3,456,695 7/1969 Akrenius 83/788
3,913,436 10/1975 Orescan 83/788
4,372,185 2/1983 Pila D15/134

Primary Examiner—B. J. Bullock

Attorney, Agent, or Firm—Robert F. Delbridge; Arne I. Fors

[57] **CLAIM**

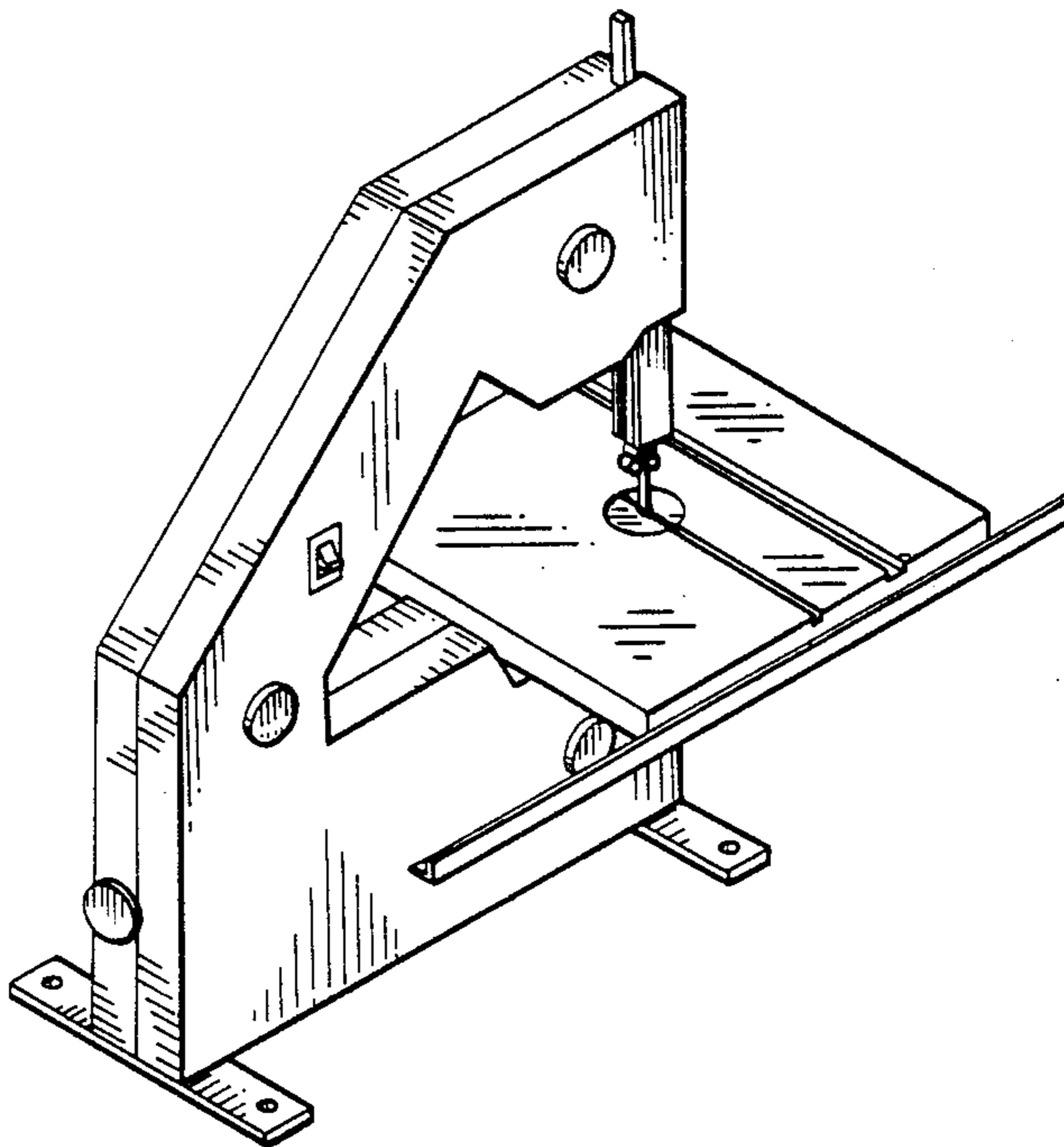
The ornamental design for a bandsaw, as shown and described.

DESCRIPTION

FIG. 1 is a rear, top and left side perspective view of a bandsaw showing my new design;

FIG. 2 is a rear, top and right side perspective view thereof;

FIG. 3 is a front, bottom and right side perspective view thereof.



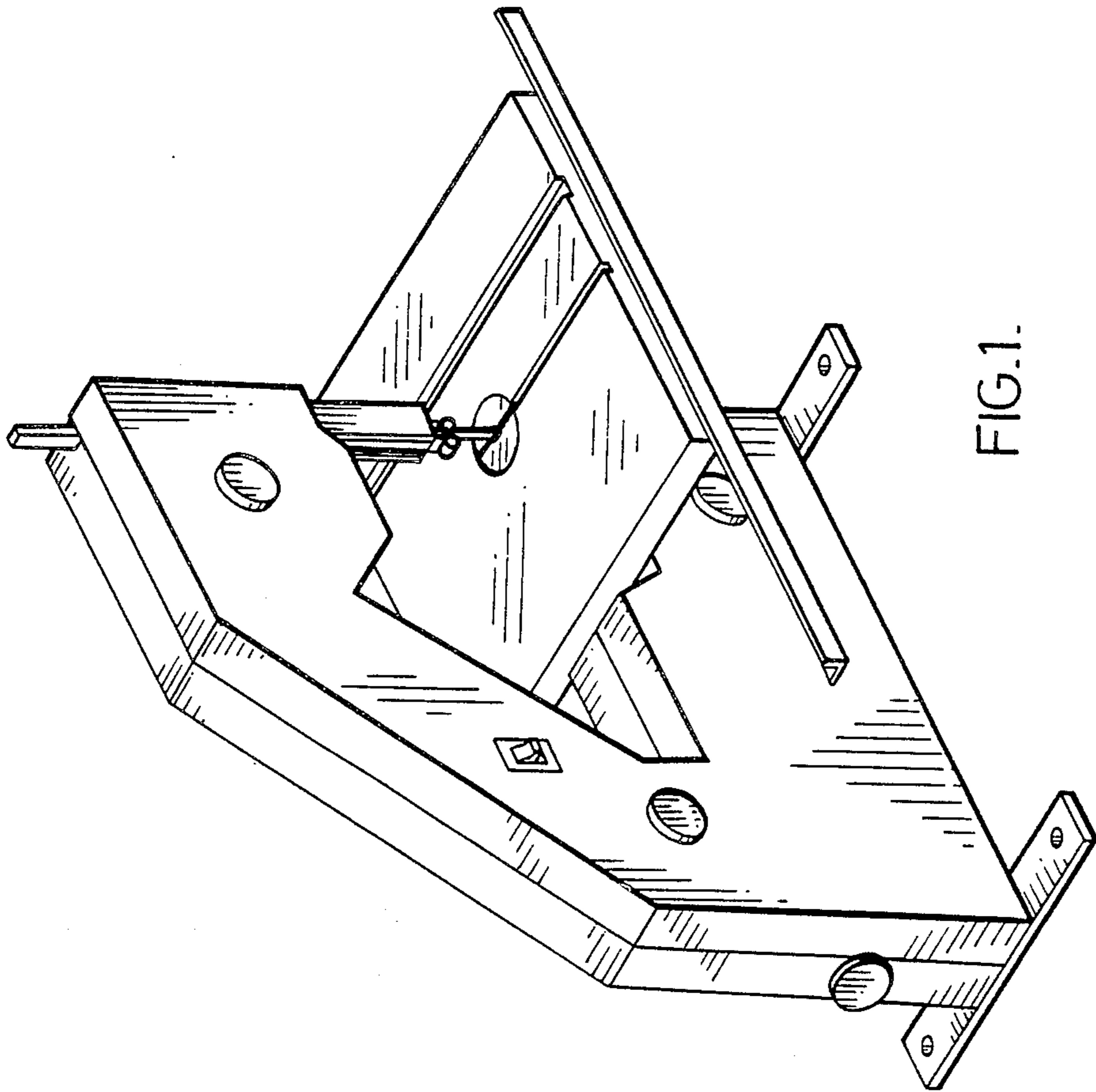


FIG. 1.

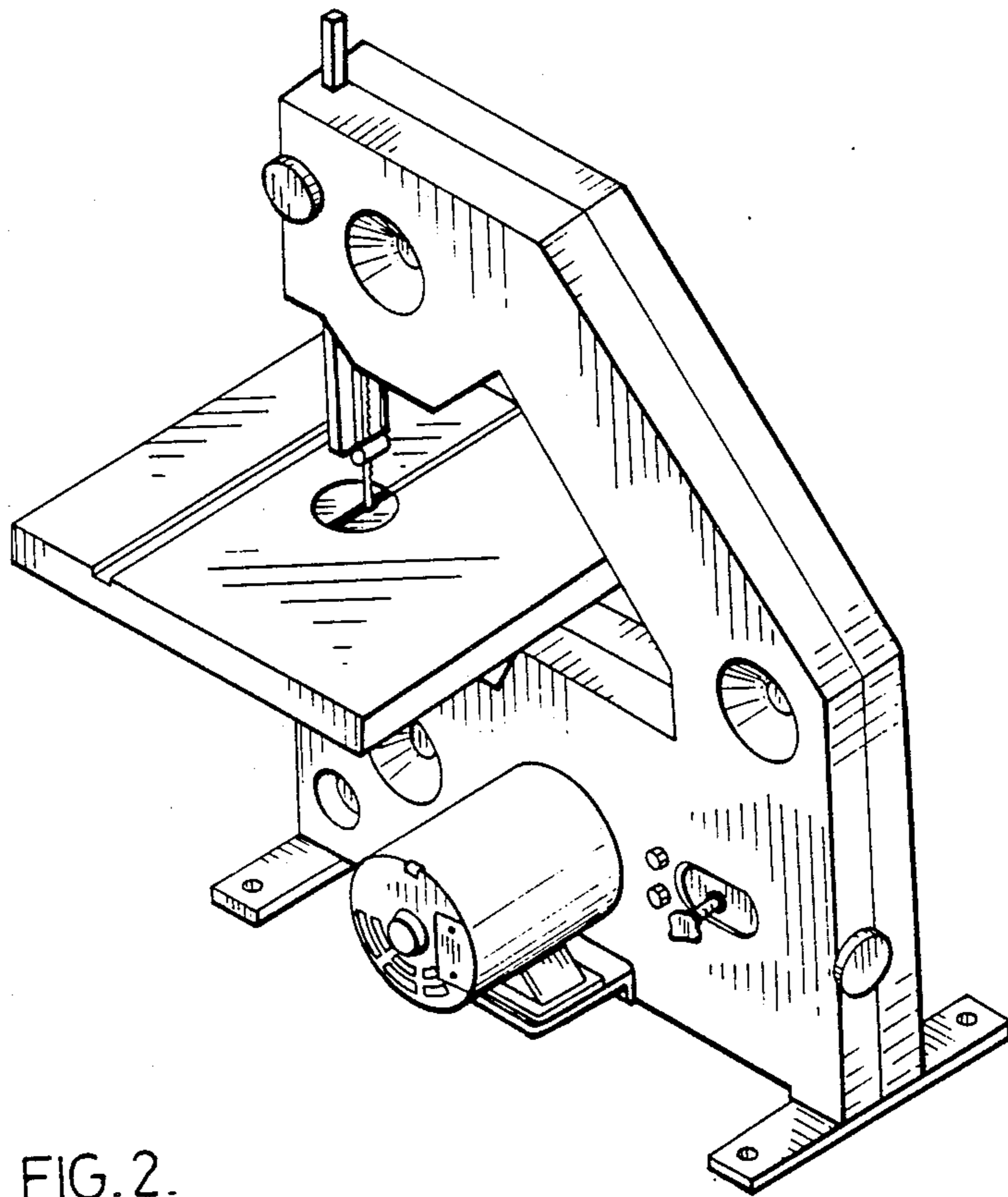


FIG. 2.

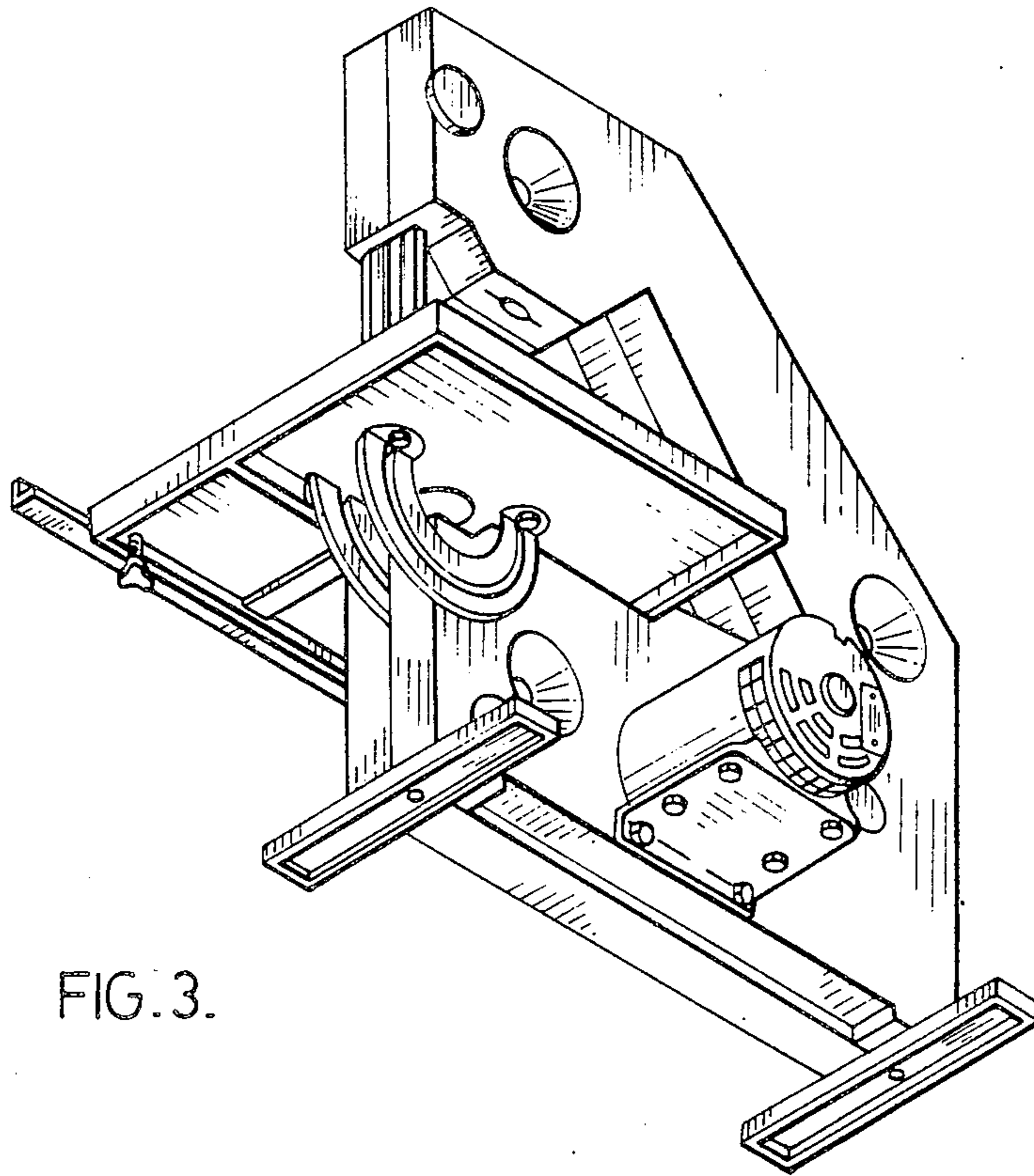


FIG. 3.