

[54] ELECTRONIC CONTROL FOR VIDEO MONITORING SYSTEM

[75] Inventor: Paul C. Mooney, Northbrook, Ill.

[73] Assignee: Quick-Set, Incorporated, Northbrook, Ill.

[**] Term: 14 Years

[21] Appl. No.: 769,941

[22] Filed: Aug. 27, 1985

[52] U.S. Cl. D14/99; D14/84; D14/90

[58] Field of Search D13/12, 35, 40-41, D13/99; D14/84-85, 94, 99; D16/10, 1, 3; 455/603, 617, 347; 414/909

[56] References Cited

U.S. PATENT DOCUMENTS

- D. 225,861 1/1973 Kalvitis D13/40
- D. 277,100 1/1985 Matsuda et al. D14/84
- D. 288,092 2/1987 Towell et al. D13/40

Primary Examiner—Wallace R. Burke

Assistant Examiner—Ruth Takemoto
Attorney, Agent, or Firm—Wood, Dalton, Phillips,
Mason & Rowe

[57] CLAIM

The ornamental design of an electronic control for video monitoring system, as shown and described.

DESCRIPTION

FIG. 1 is a top, front and side perspective view of an electronic control for video monitoring system showing my new design;

FIG. 2 is a top, rear and side perspective view thereof;

FIG. 3 is a top plan view thereof;

FIG. 4 is a front elevational view thereof;

FIG. 5 is a left side elevational view thereof;

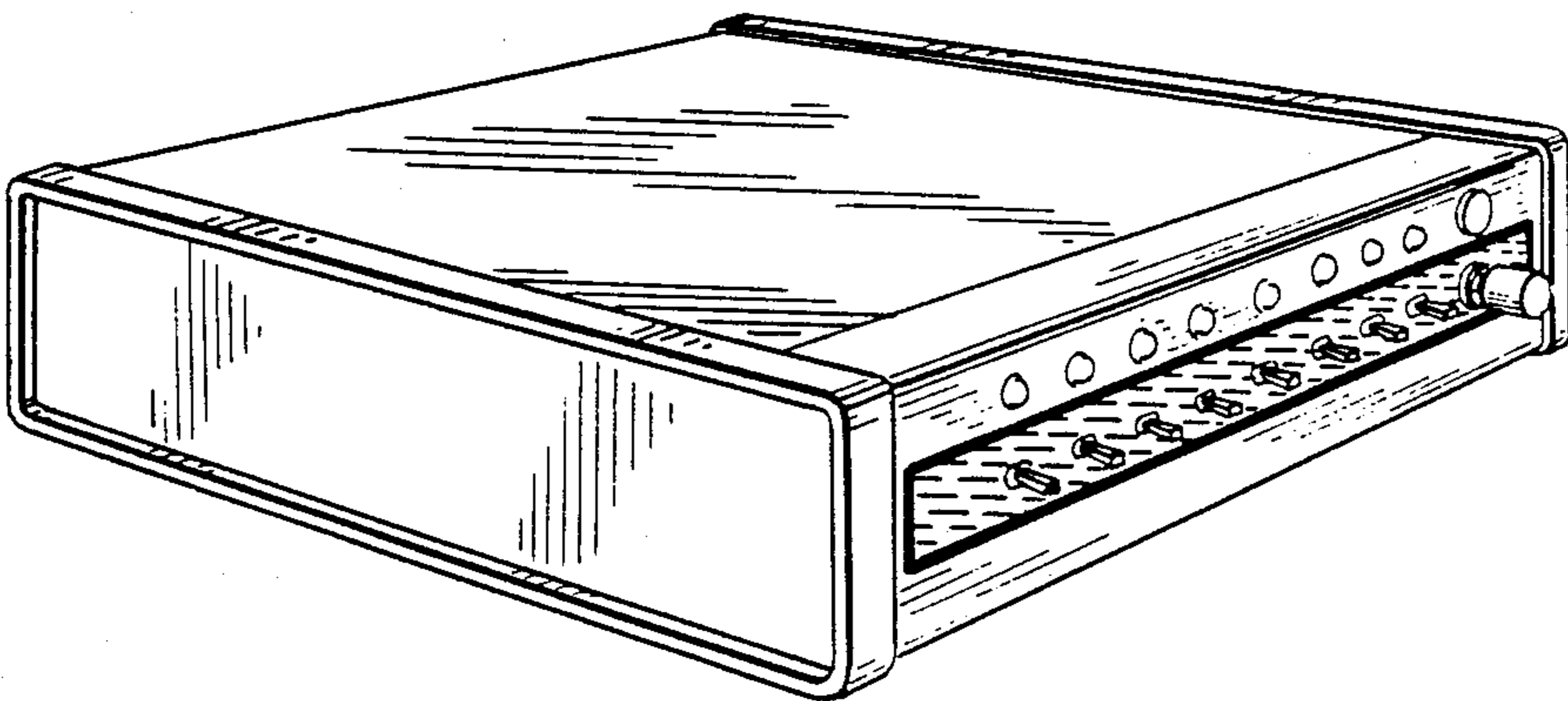
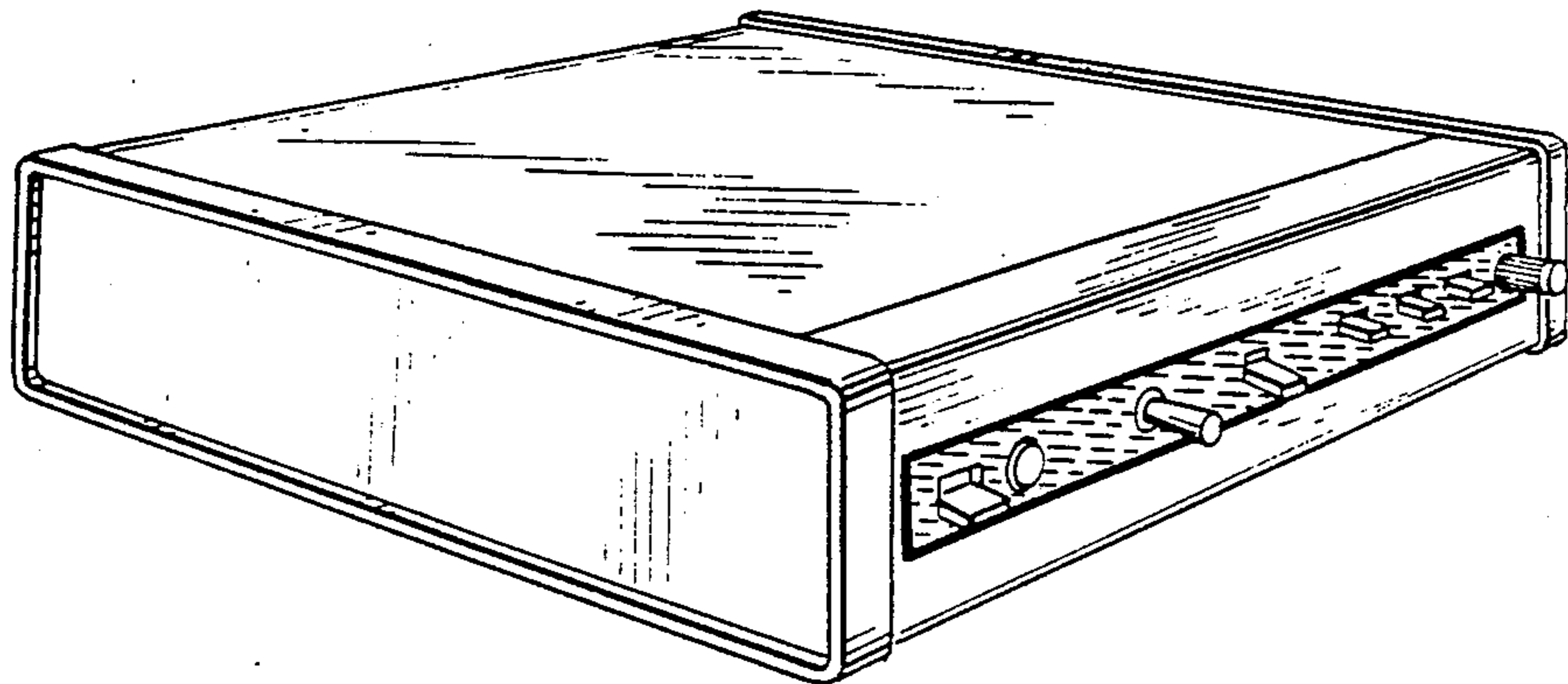
FIG. 6 is a right side elevational view thereof;

FIG. 7 is a rear elevational view thereof;

FIG. 8 is a top, front and side perspective view of a second embodiment thereof; and

FIG. 9 is a top, rear and side perspective view thereof.

The pattern on the middle portion of the front panel in FIGS. 1, 4 and 8 represents the color gray. The rectangular outline around the gray pattern represents the color black.



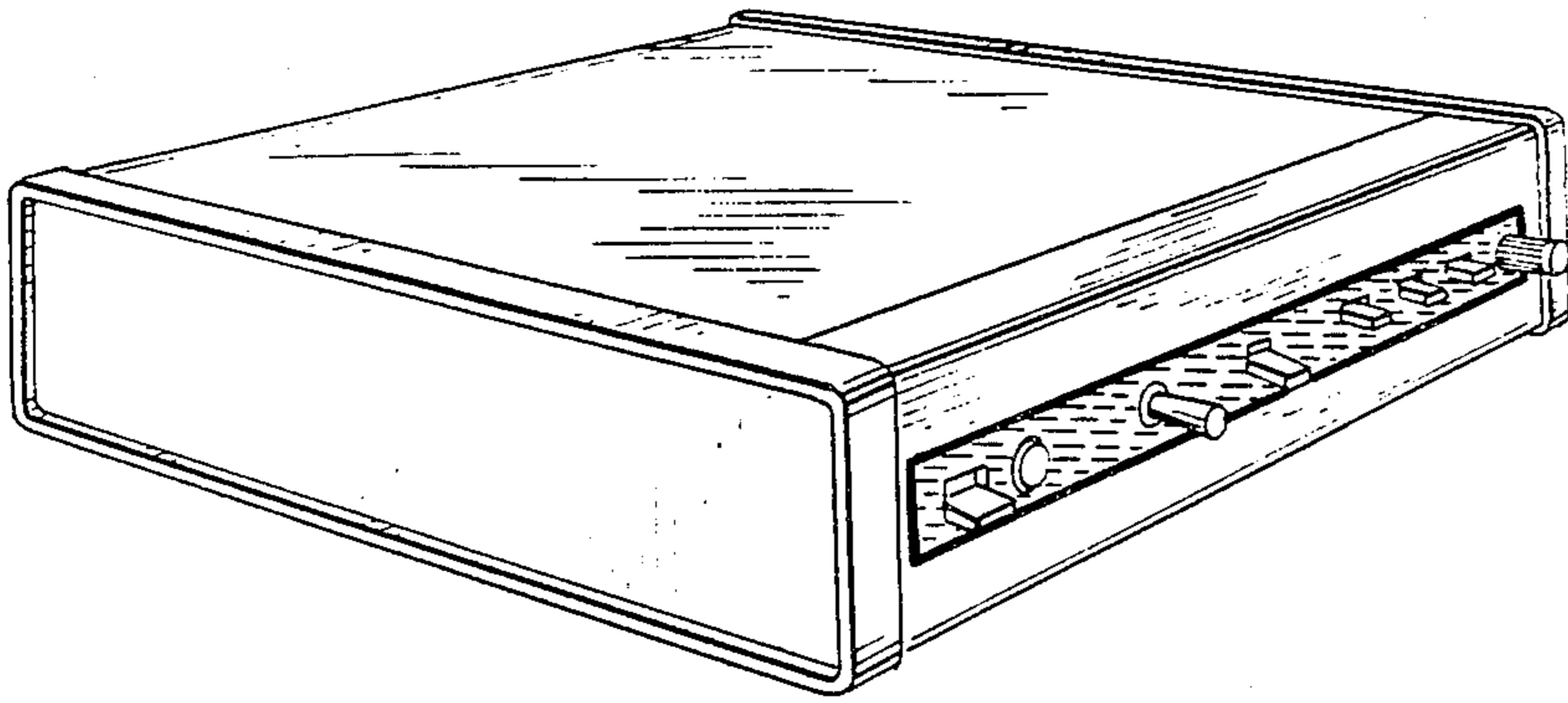


FIG. 1

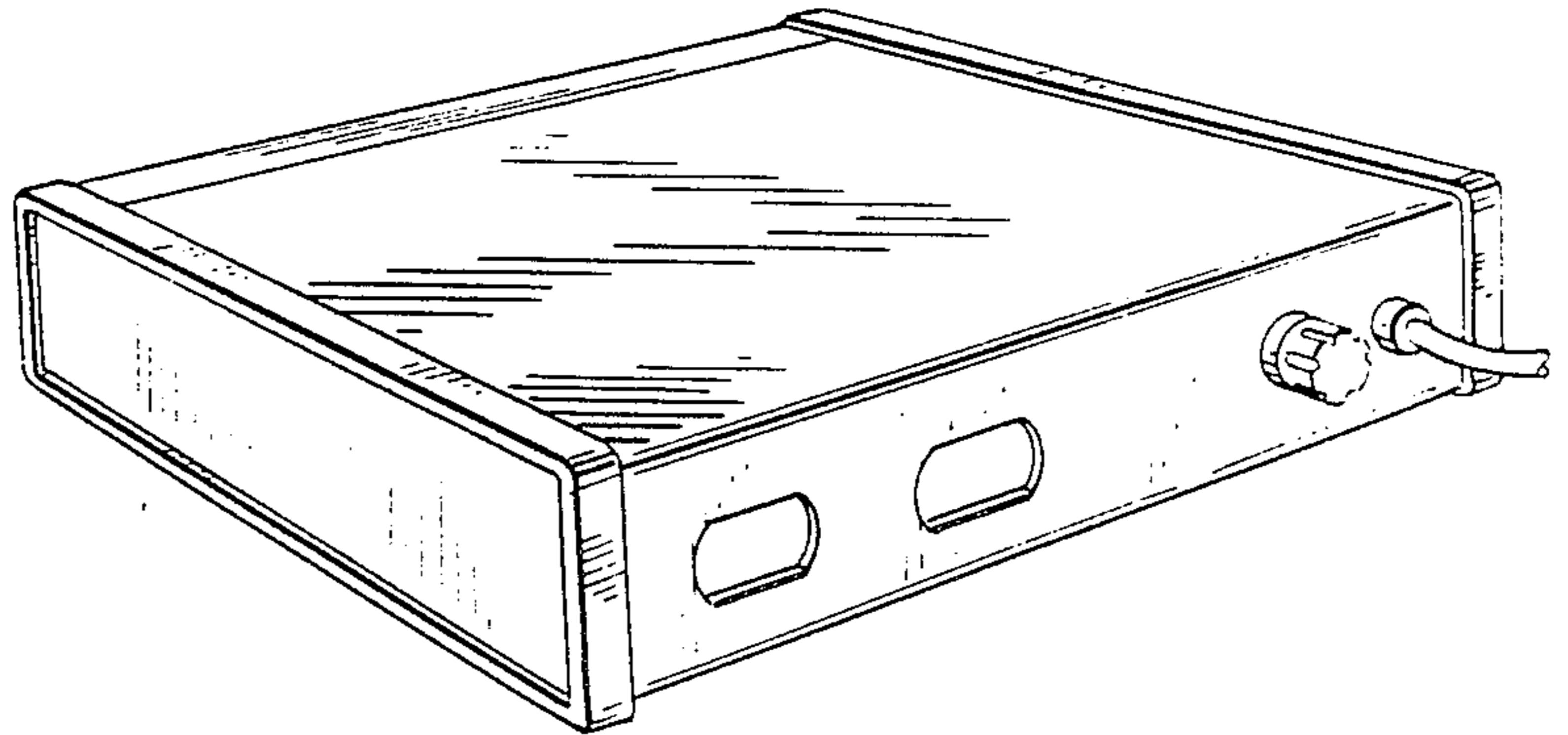


FIG. 2

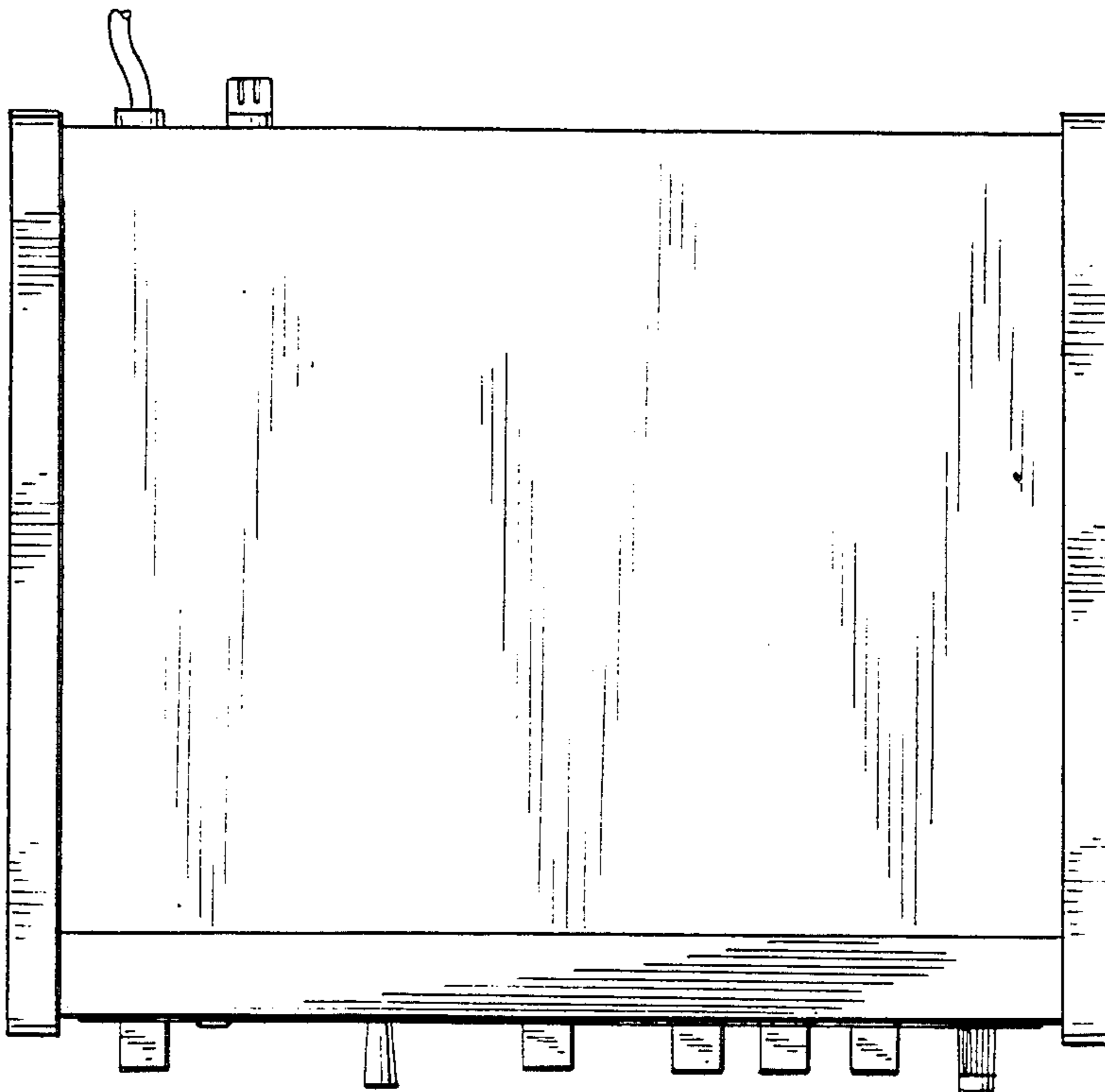


FIG. 3

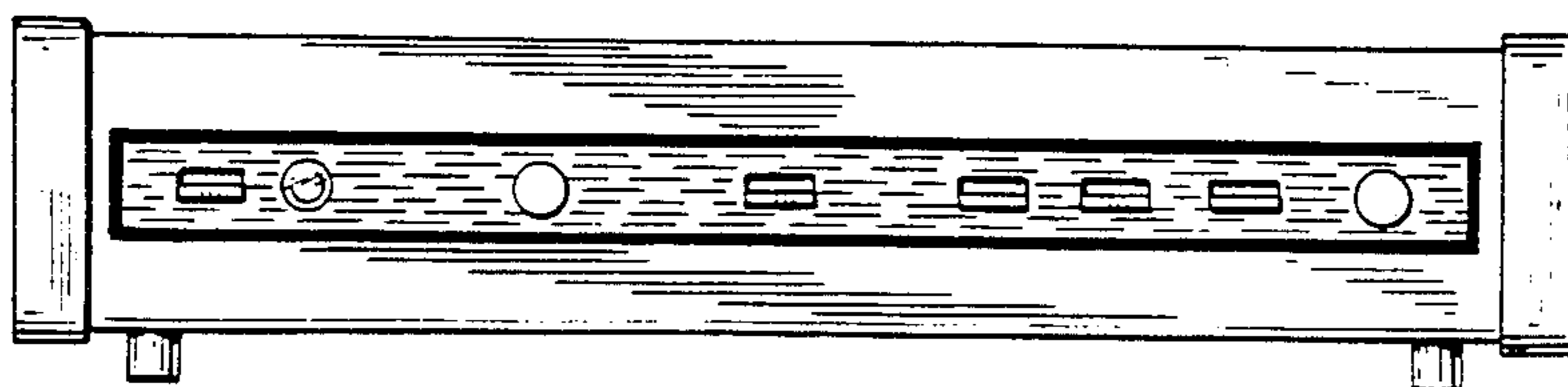


FIG. 4

FIG. 5

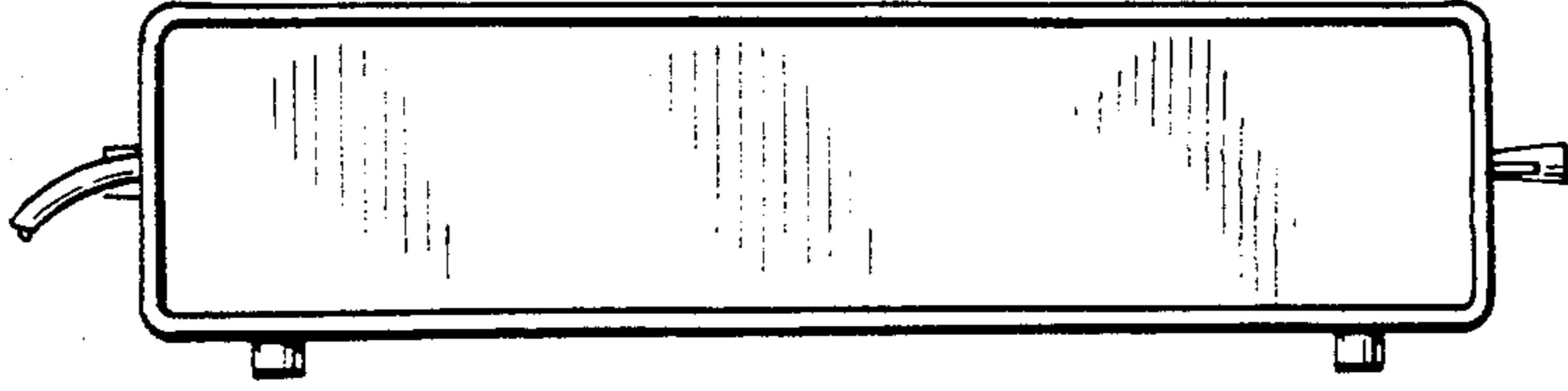


FIG. 6

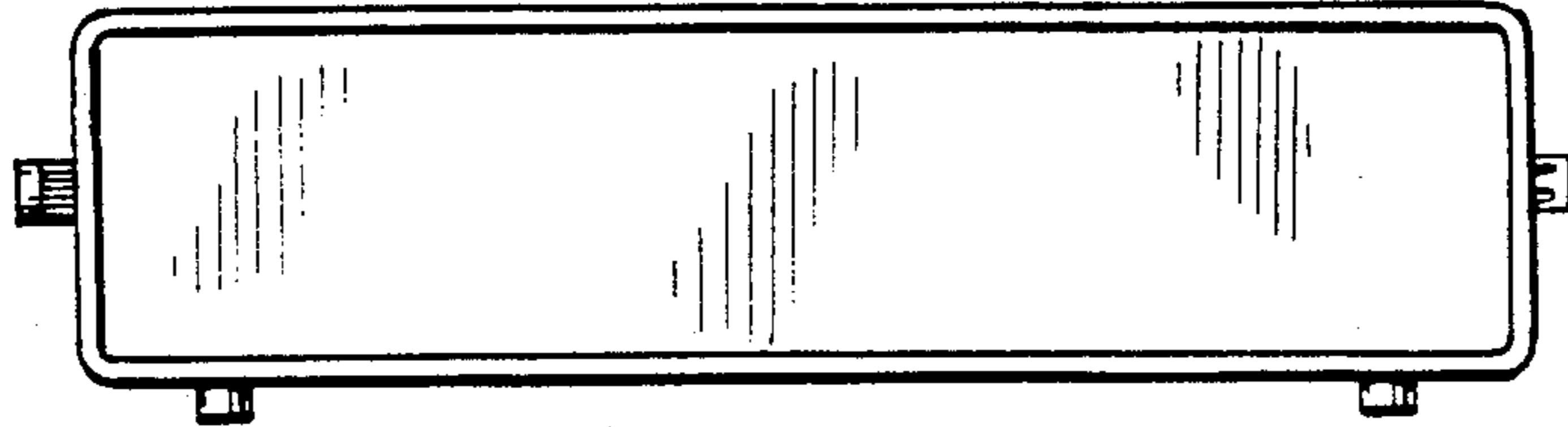


FIG. 7

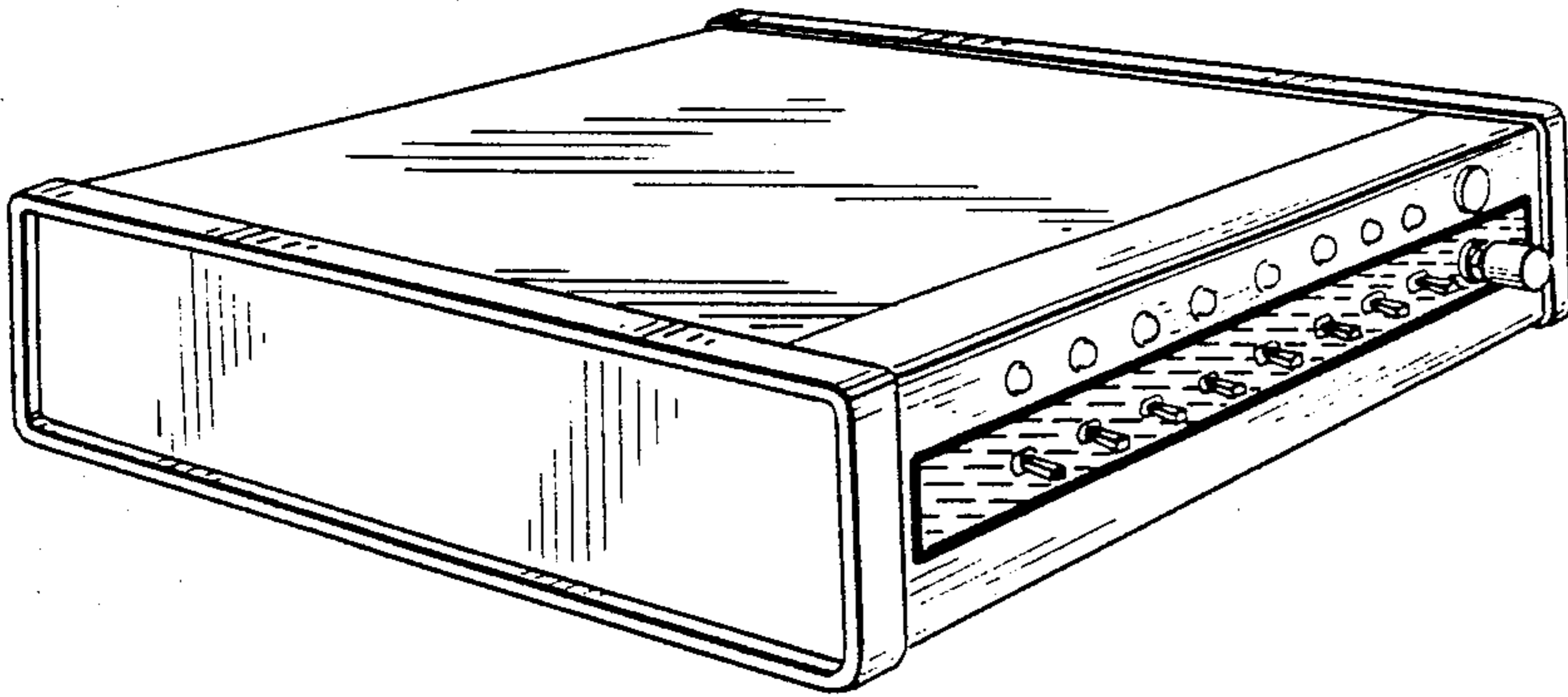
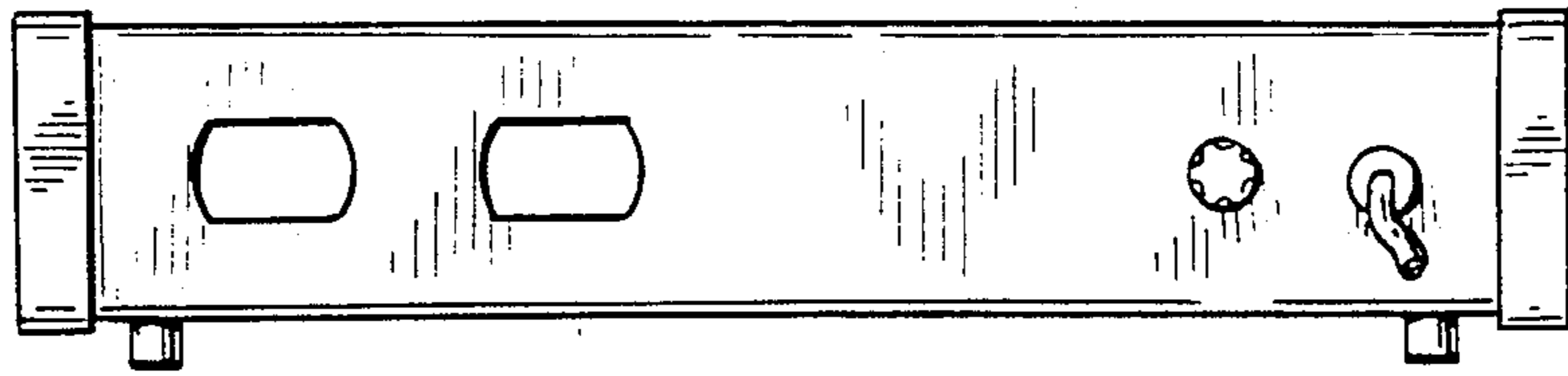


FIG. 8

FIG. 9

