

[54] ELECTRICAL PLUG SOCKET SWITCH

[76] Inventors: Bert M. Good; Evelyn F. Good, both of 10121 Russell Ave., Garden Grove, Calif. 92643

[\*\*] Term: 14 Years

[21] Appl. No.: 857,816

[22] Filed: Apr. 28, 1986

[52] U.S. Cl. .... D13/28; D13/32

[58] Field of Search ..... D13/24-25, D13/27-30, 32, 35, 38; 200/238-239, 293, 296-297, 303, 308, 333, 85 R, 51 R, 51.09; 220/3.2-3.3, 3.5; 174/53-54; 439/172, 628, 651, 662, 106

[56] References Cited

U.S. PATENT DOCUMENTS

D. 246,241	11/1977	Jacobs	.....	D13/28
D. 246,851	1/1978	Tarchalski	.....	D13/34
D. 266,559	10/1982	Gibbs	.....	D13/28
2,538,296	1/1951	Crocker	.....	439/172
2,706,225	4/1955	Freeman	.....	439/651
3,025,486	3/1962	Falconer	.....	439/172
3,034,000	5/1962	Todd	.....	439/651

3,045,201	7/1962	Hall	.....	439/106
3,229,240	1/1966	Harrison	.....	439/692
3,256,466	6/1966	Trolio	.....	361/380
3,281,564	10/1966	Maxted	.....	200/168
3,493,915	2/1970	Cox	.....	439/105
3,668,602	6/1972	Griffin	.....	439/107
4,080,039	3/1978	Ahroni	.....	439/620
4,176,902	12/1979	Bernstein	.....	439/622

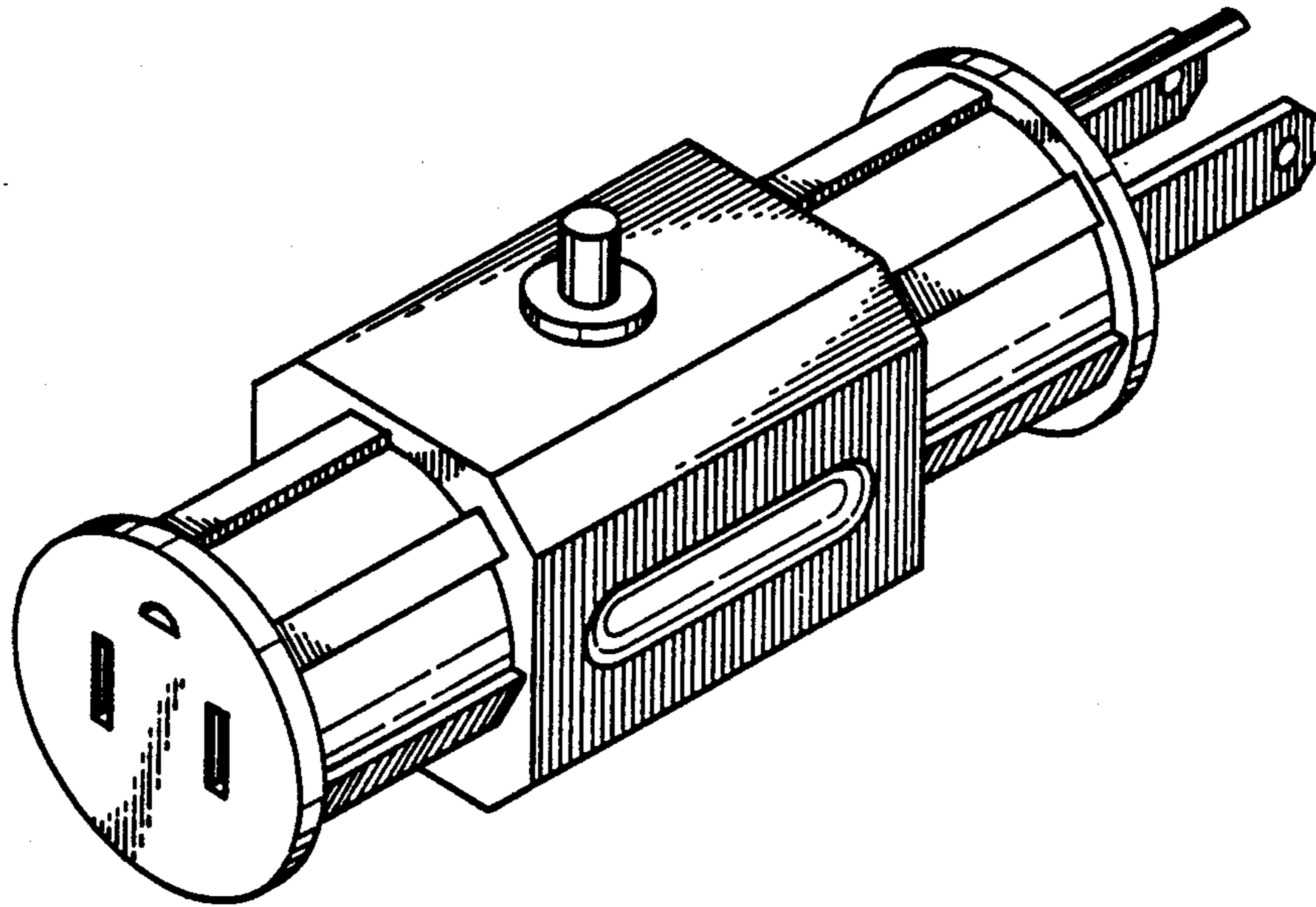
Primary Examiner—Susan J. Lucas  
Assistant Examiner—Ruth Takemoto  
Attorney, Agent, or Firm—W. C. Tupman

[57] CLAIM

The ornamental design for an electrical plug socket switch, substantially as shown and described.

DESCRIPTION

FIG. 1 is a top, front and right side perspective view of an electrical plug socket switch, showing our new design;  
FIG. 2 is a front elevational view thereof;  
FIG. 3 is a rear elevational view thereof;  
FIG. 4 is a top plan view thereof, the bottom view being identical; and,  
FIG. 5 is a right side elevational view thereof, the opposite side being a mirror image.



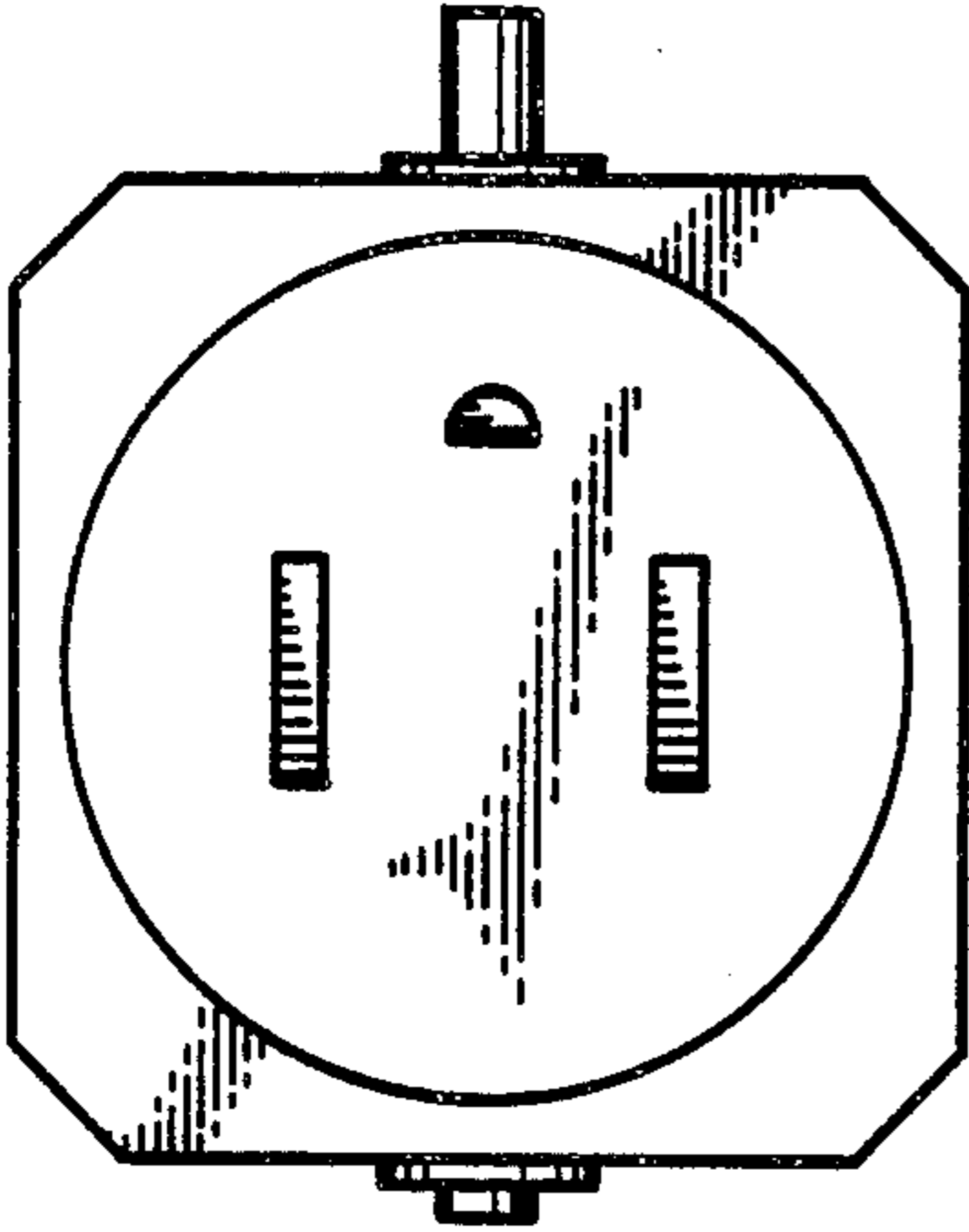


Fig. 2

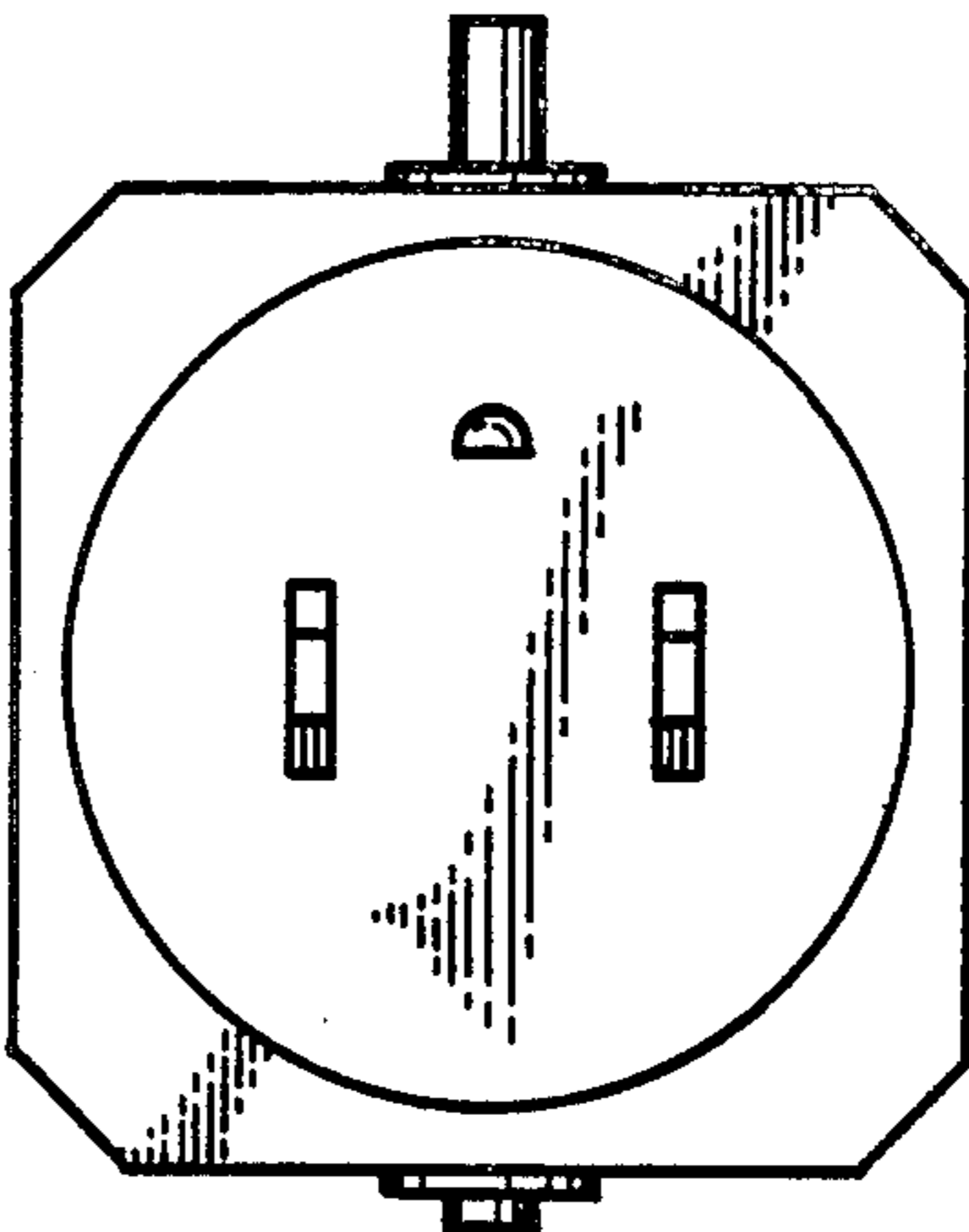


Fig. 3

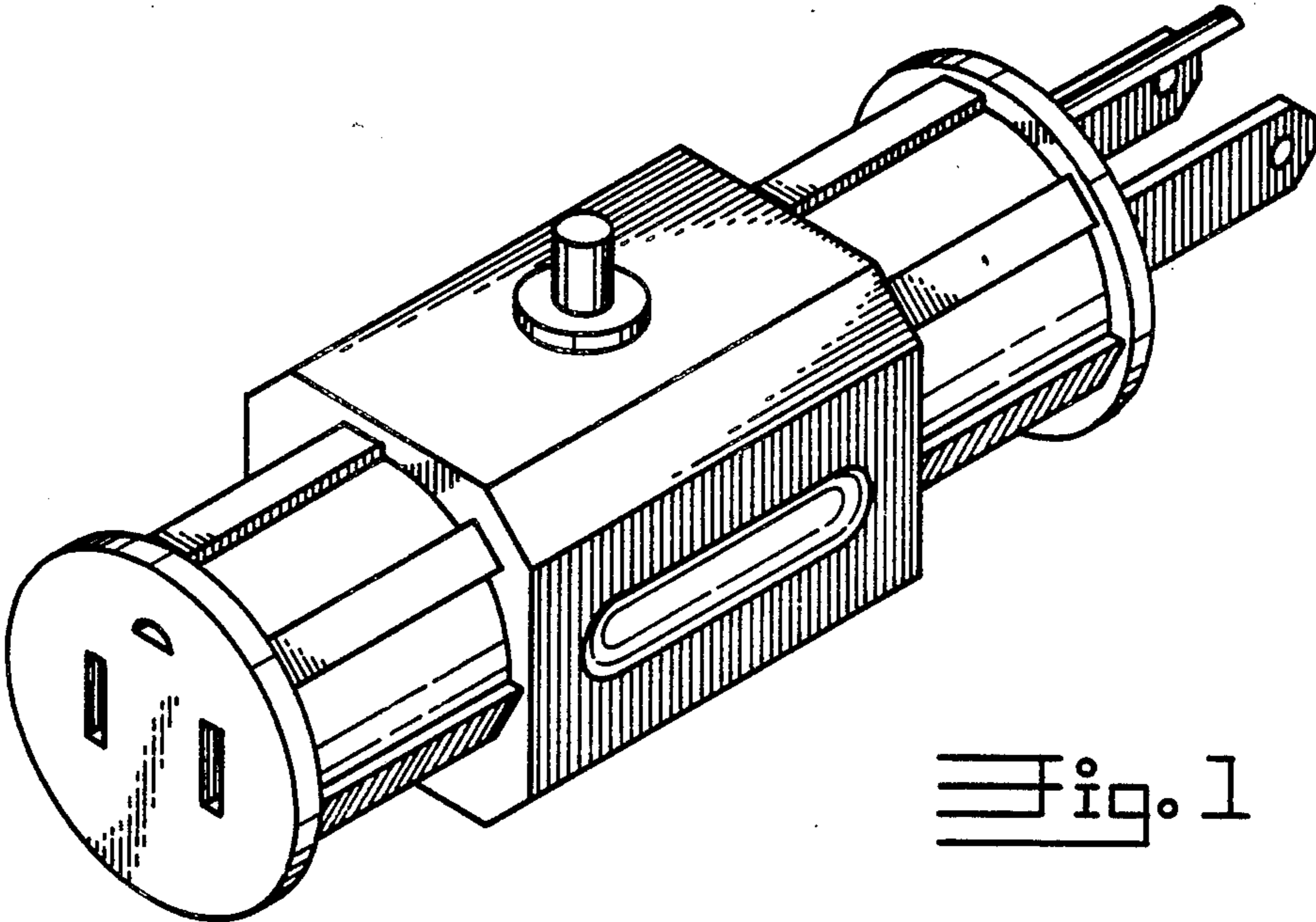


Fig. 1

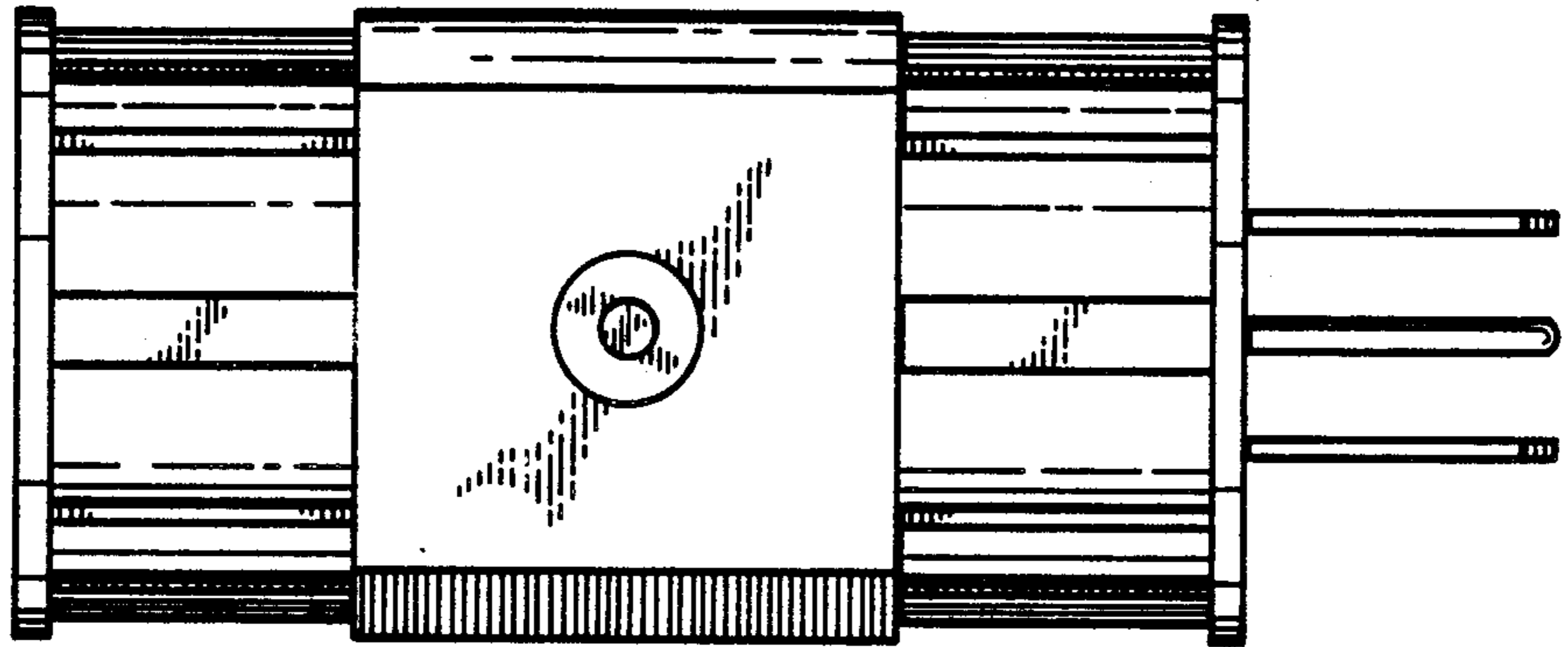


Fig. 4

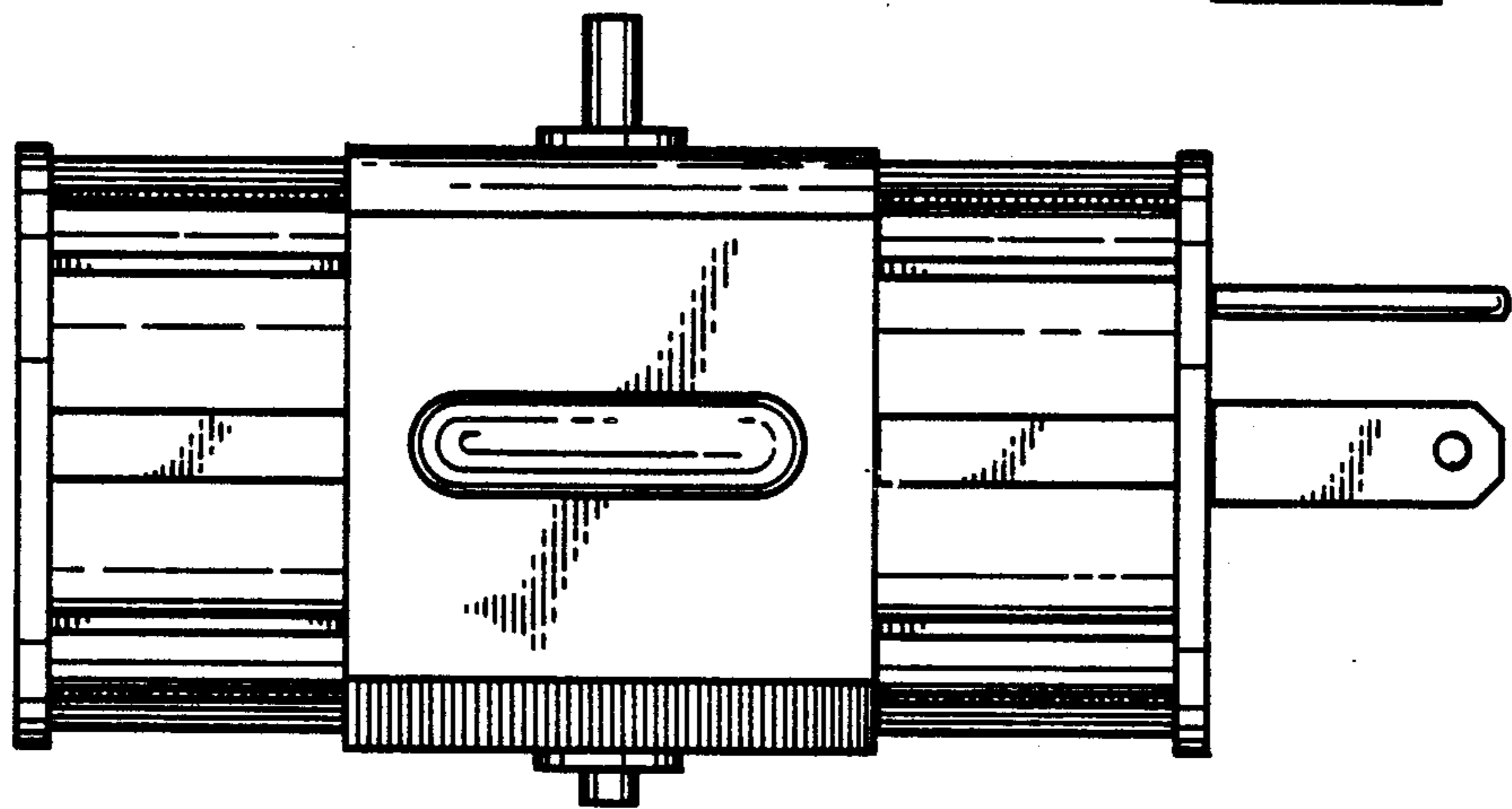


Fig. 5