

[54] WILDERNESS SCALE

[76] Inventor: John H. Marto, 404 S. Eagle St., Oshkosh, Wis. 54901

[\*\*] Term: 14 Years

[21] Appl. No.: 762,334

[22] Filed: Aug. 5, 1985

[52] U.S. Cl. .... D10/90

[58] Field of Search ..... D10/87-90, D10/94; 177/171, 172, 246, 252

[56] References Cited

U.S. PATENT DOCUMENTS

|            |        |          |         |   |
|------------|--------|----------|---------|---|
| 14,382     | 3/1856 | Yost     | 177/171 | X |
| 232,393    | 9/1880 | Dake     | 177/171 | X |
| D. 266,152 | 9/1982 | Oswald   | D10/90  |   |
| D. 267,790 | 2/1983 | Eddinger | D10/90  | X |
| 578,220    | 3/1897 | Dixon    | 177/172 |   |
| 809,602    | 1/1906 | Barakat  | 177/172 | X |
| 3,759,337  | 9/1973 | Luedke   | 177/172 |   |

Primary Examiner—Nelson C. Holtje  
Attorney, Agent, or Firm—Cullen, Sloman, Cantor, Grauer, Scott & Rutherford

[57] CLAIM

The ornamental design for a wilderness scale, as shown and described.

DESCRIPTION

FIG. 1 is a front perspective view of a wilderness scale showing my new design, the broken-line showings being environmental only and form no part of the claimed design;

FIG. 2 is a top plan view thereof;

FIG. 3 is a front elevational view thereof;

FIG. 4 is a right side elevational view thereof;

FIG. 5 is a left side elevational view thereof;

FIG. 6 is a rear elevational view thereof;

FIG. 7 is a bottom plan view thereof;

FIG. 8 is a front perspective view of another embodiment of my new design of FIGS. 1-7, the broken-line showings being environmental only and form no part of the claimed design;

FIG. 9 is a top plan view thereof;

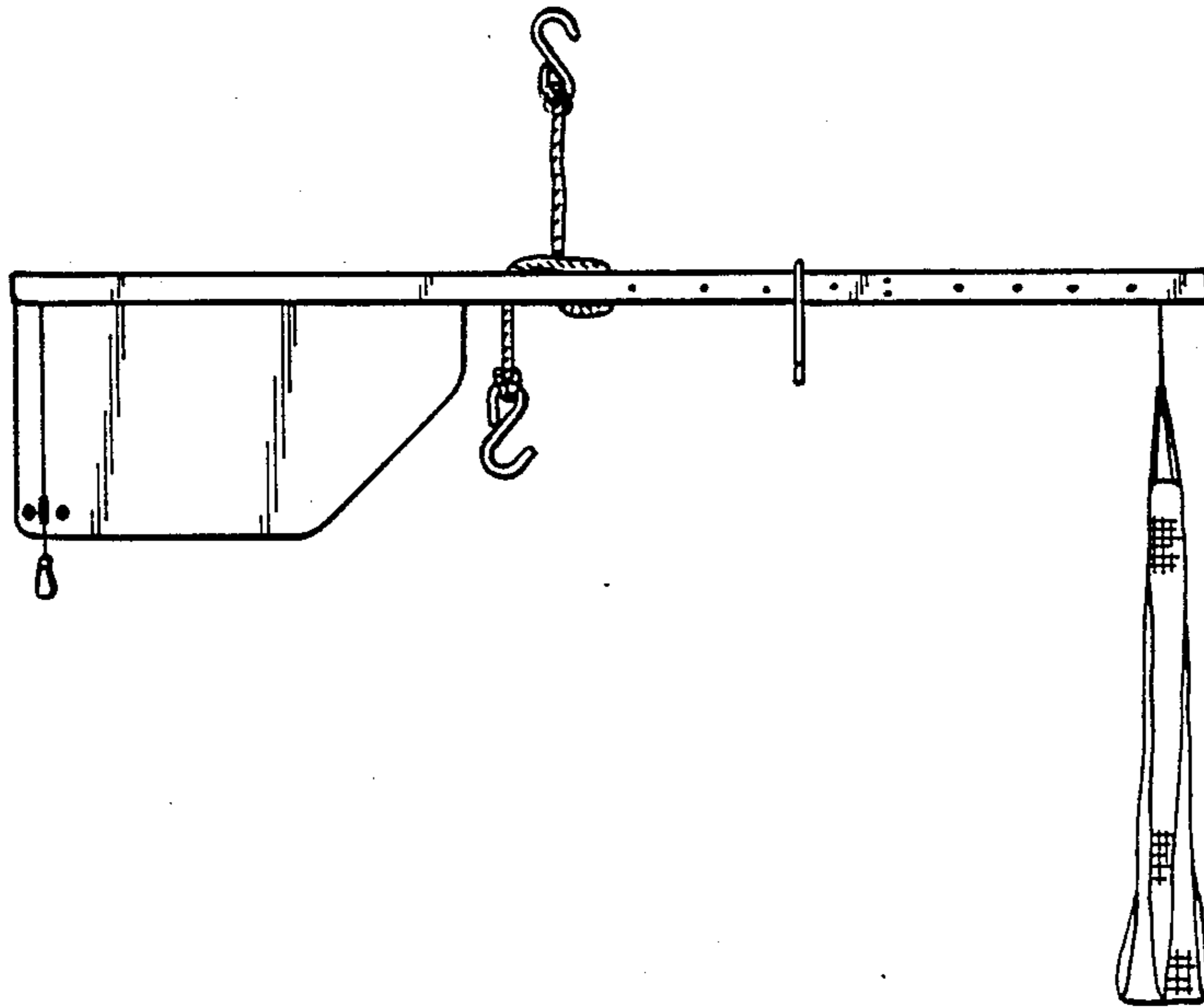
FIG. 10 is front elevational view thereof;

FIG. 11 is a right side elevational view thereof;

FIG. 12 is a left side elevational view thereof;

FIG. 13 is a rear elevational view thereof;

FIG. 14 is a bottom plan view thereof.



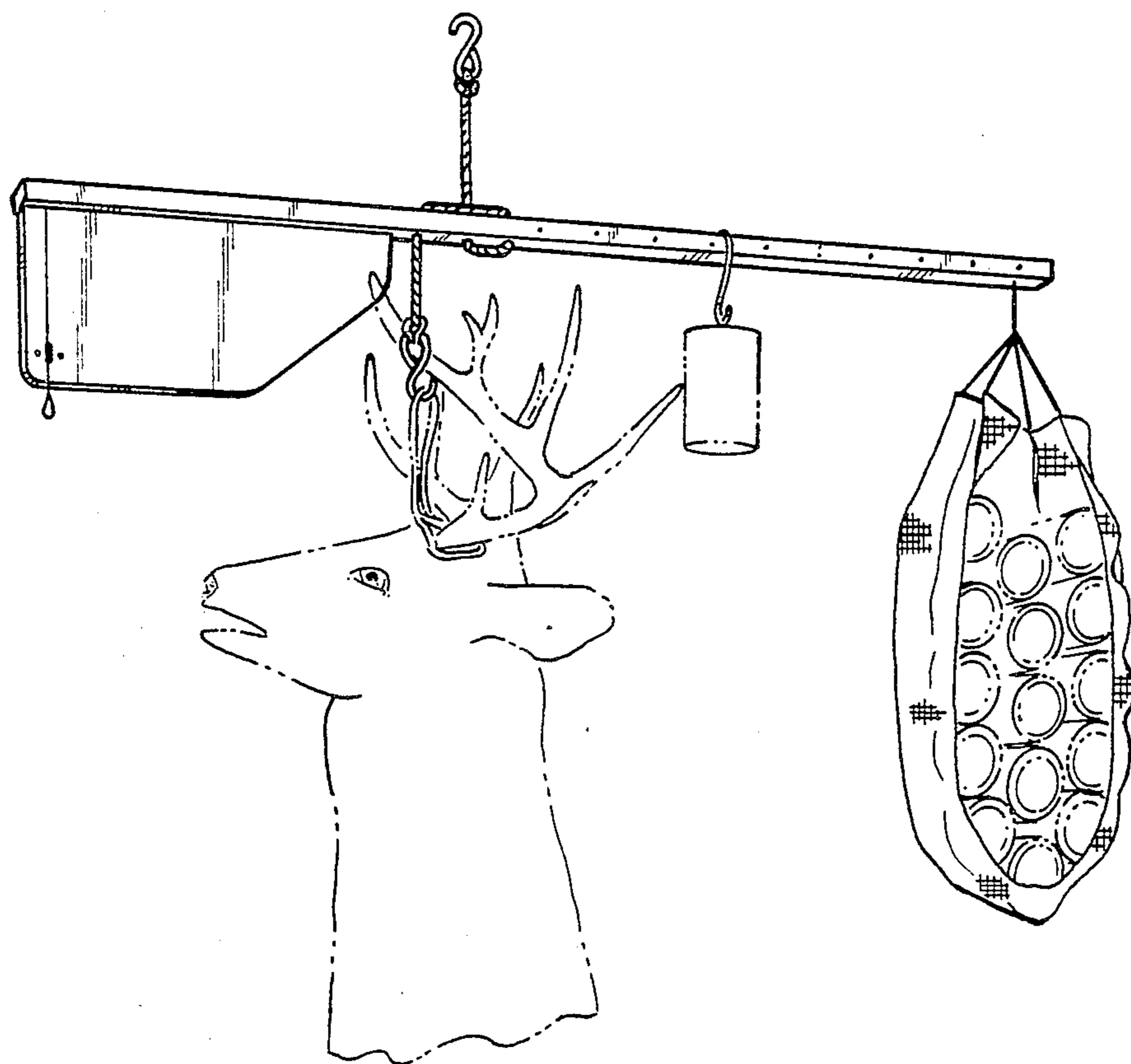


Fig-1

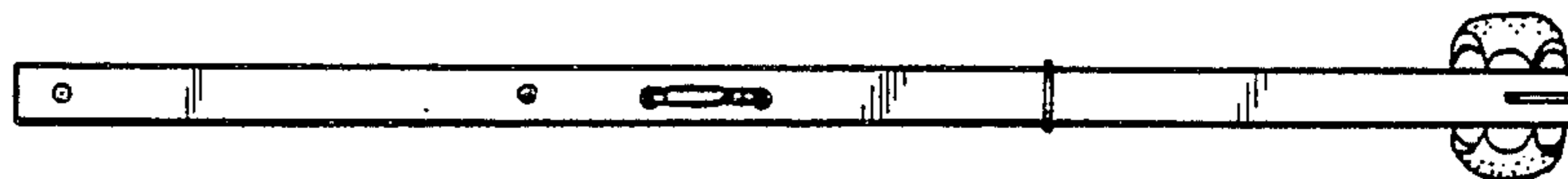


Fig-2

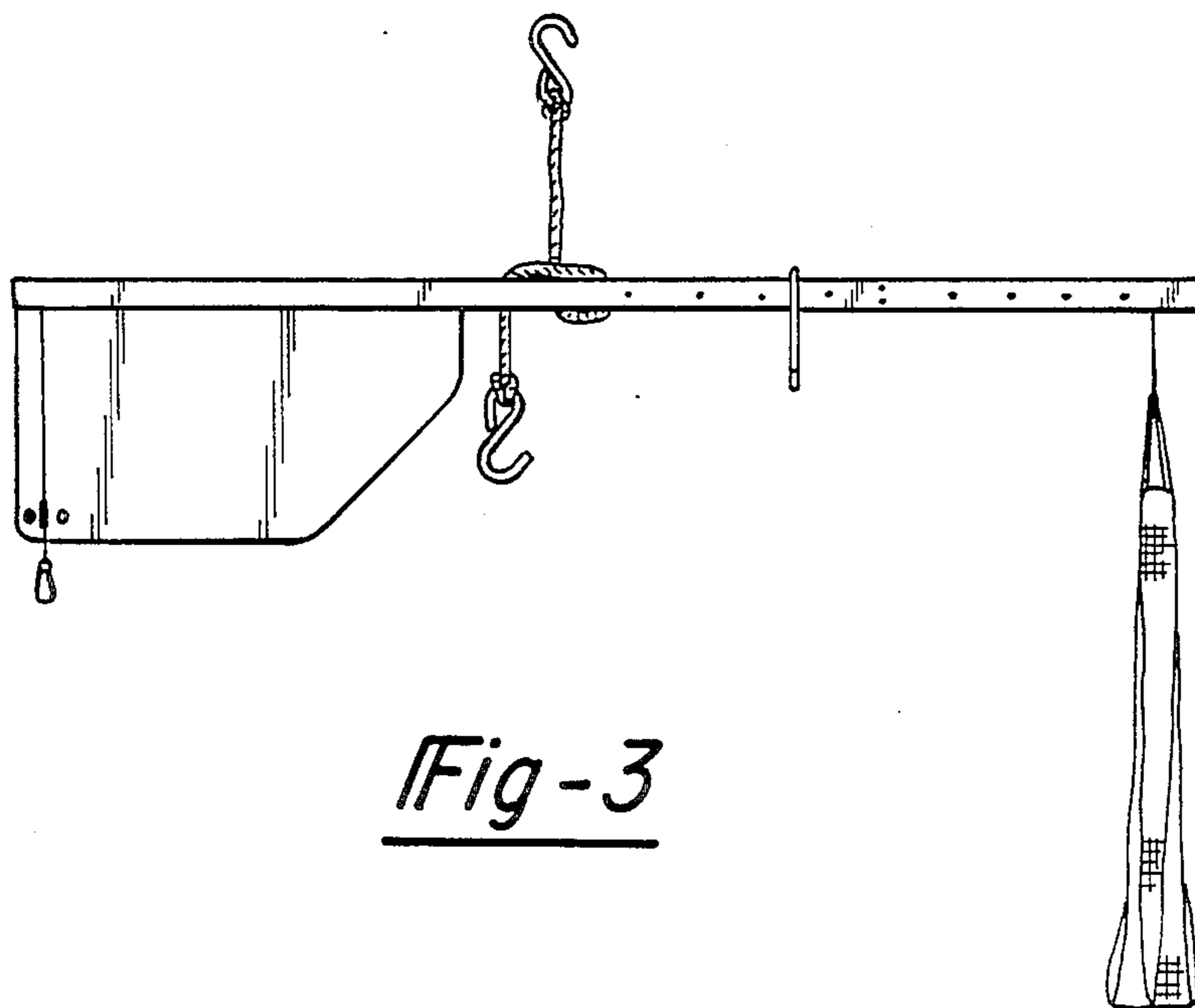


Fig-3



Fig-4



Fig-5

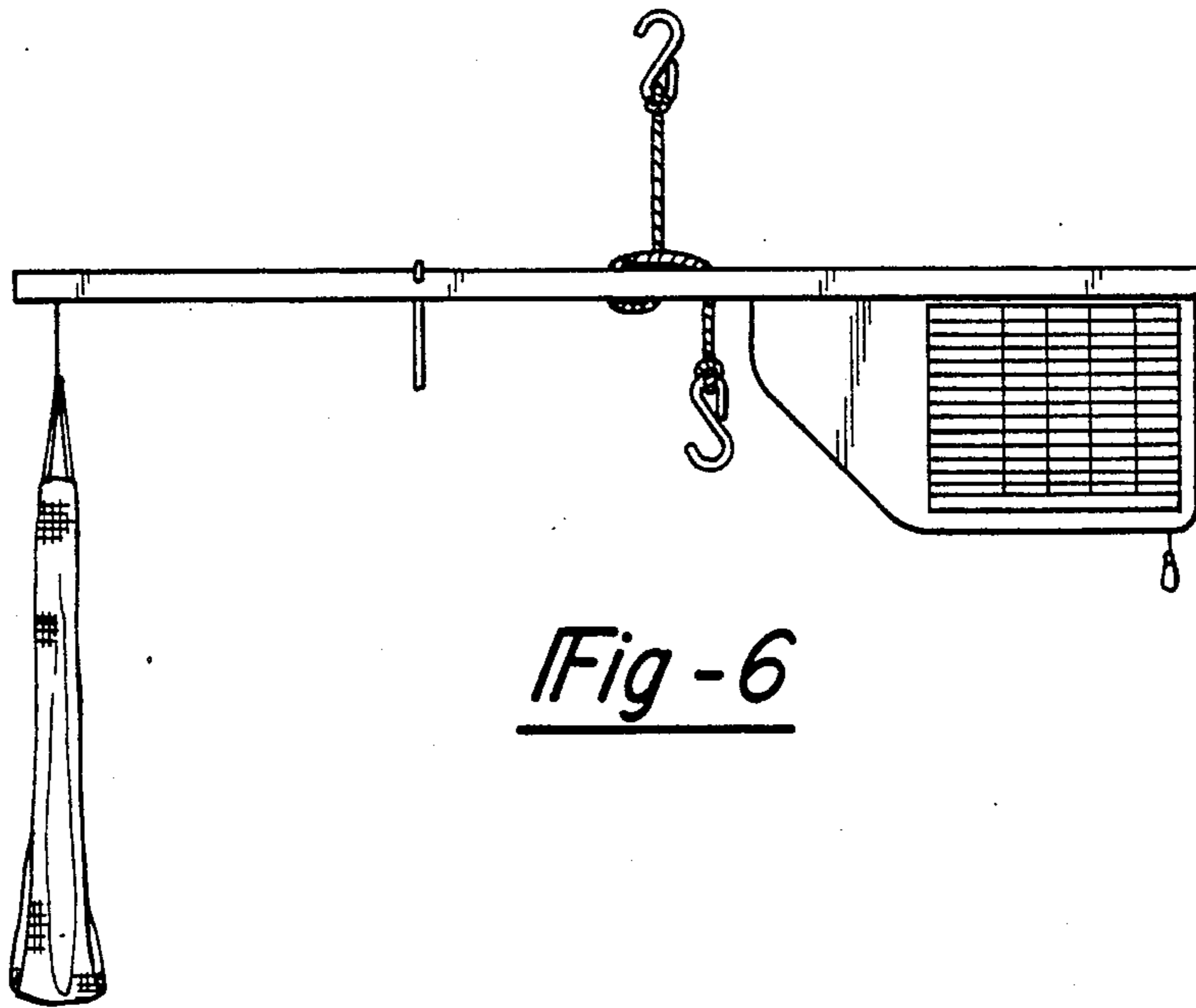


Fig-6



Fig-7

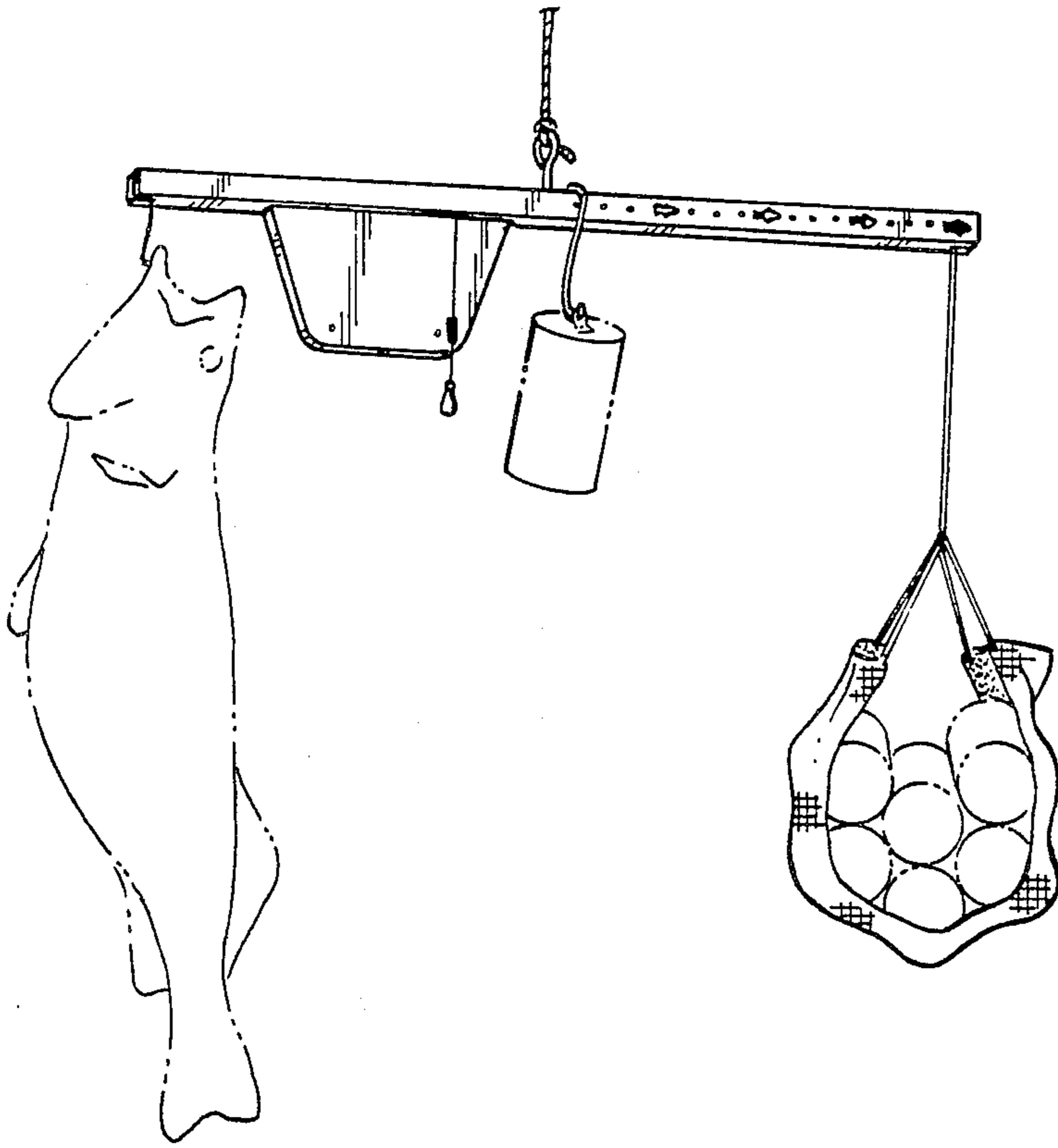


Fig-8

Fig-9

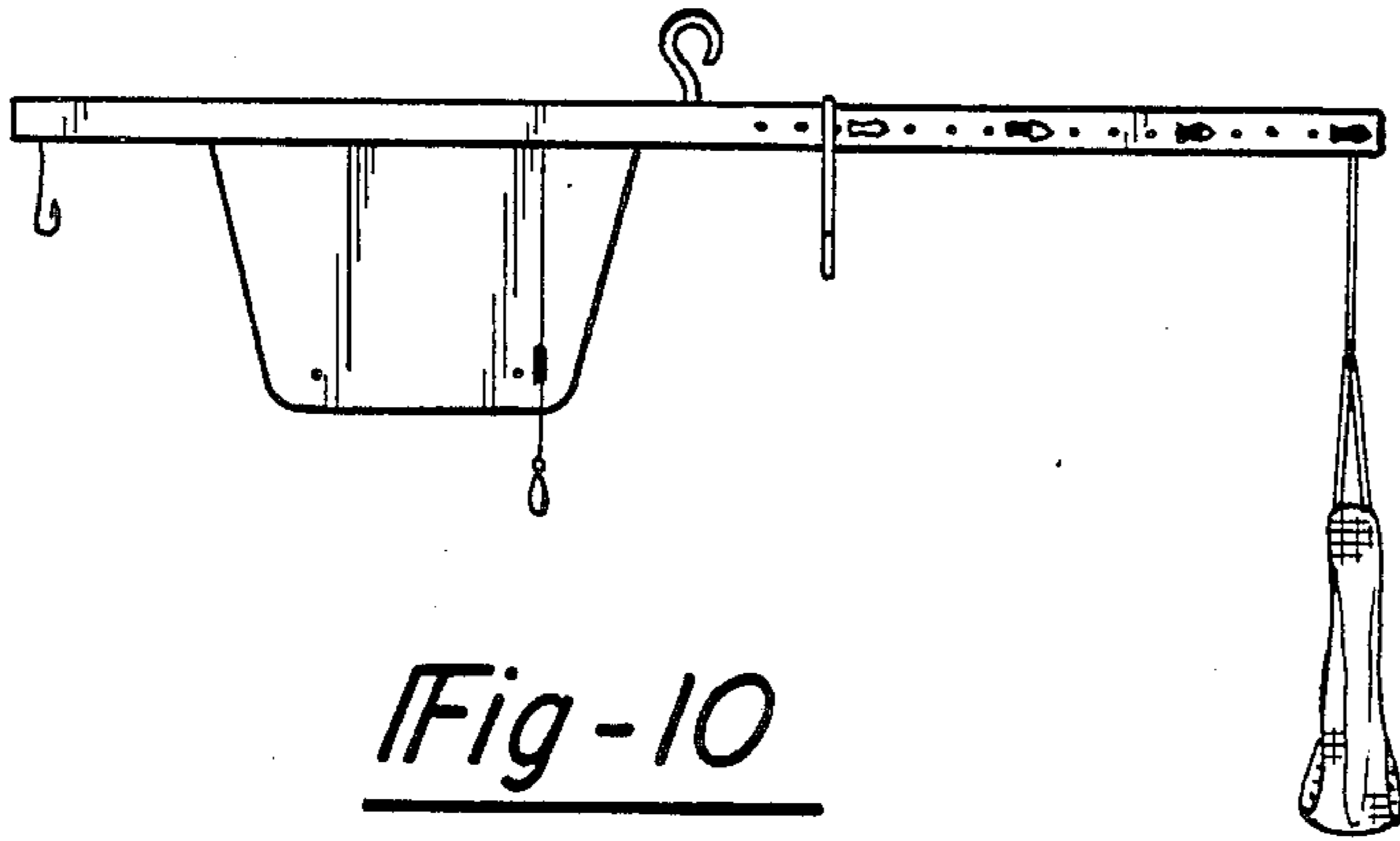


Fig-10



Fig-11



Fig-12

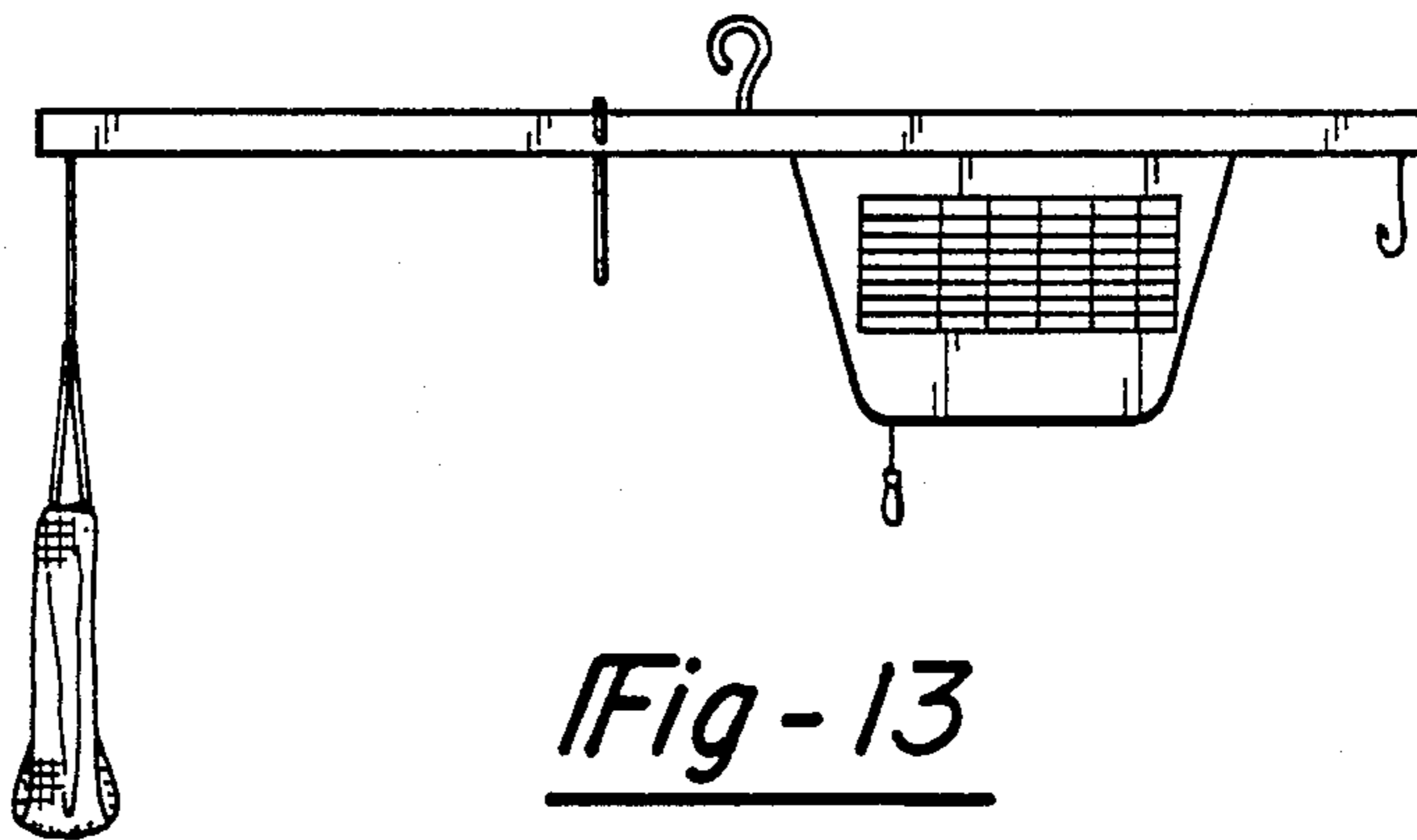


Fig-13



Fig-14