

[54] LOCK FOR DOUBLE DOORS

4,688,408 8/1987 Shroyer 70/232 X

[76] Inventor: Talmadge Ault, 18130 State Rd., North Royalton, Ohio 44133

Primary Examiner—Wallace R. Burke
Assistant Examiner—Brian N. Vinson
Attorney, Agent, or Firm—J. Helen Slough

[**] Term: 14 Years

[57] CLAIM

[21] Appl. No.: 834,023

The ornamental design for a lock for double doors, as shown and described.

[22] Filed: Feb. 14, 1986

[52] U.S. Cl. D8/330; D8/342

[58] Field of Search D8/330-331,
D8/337-346; 292/256.65, 256.67, 259 R, 260,
276-277, 293-294, DIG. 21, DIG. 12, DIG. 41;
70/232

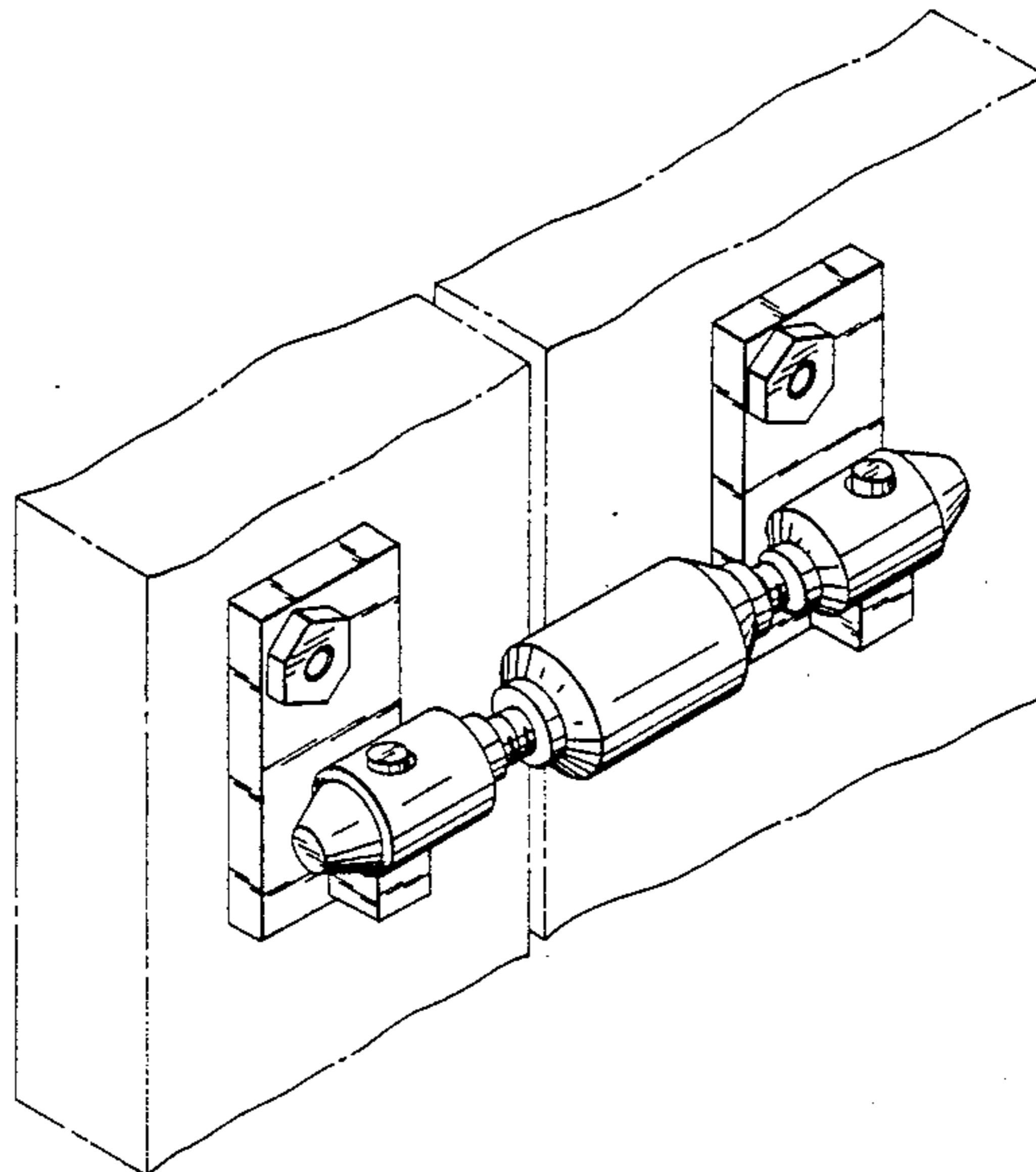
DESCRIPTION

FIG. 1 is a front perspective view of a lock for double doors showing my new design, the broken-line showing of portions of doors for illustrative purposes only, and forming no part of the claimed design;
FIG. 2 is a front elevational view thereof;
FIG. 3 is a top plan view thereof;
FIG. 4 is a left side elevational view thereof;
FIG. 5 is a right side elevational view thereof;
FIG. 6 is a rear elevational view thereof; and,
FIG. 7 is a bottom plan view thereof.

[56] References Cited

U.S. PATENT DOCUMENTS

- D. 256,551 8/1980 Webb D8/340
- 3,643,478 2/1972 McPeake 292/259 X
- 4,003,227 1/1977 Casey 292/258 X



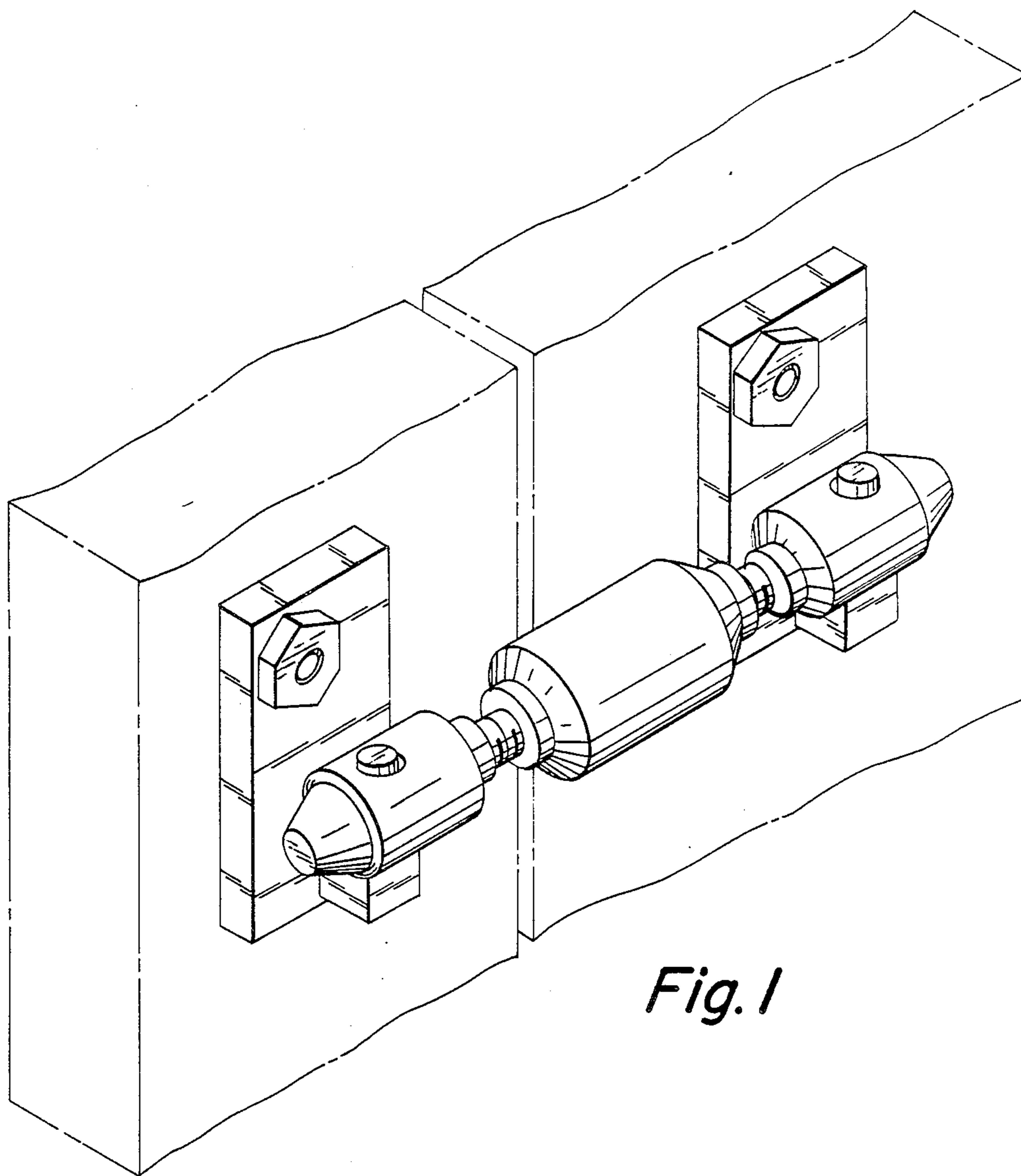


Fig. 1

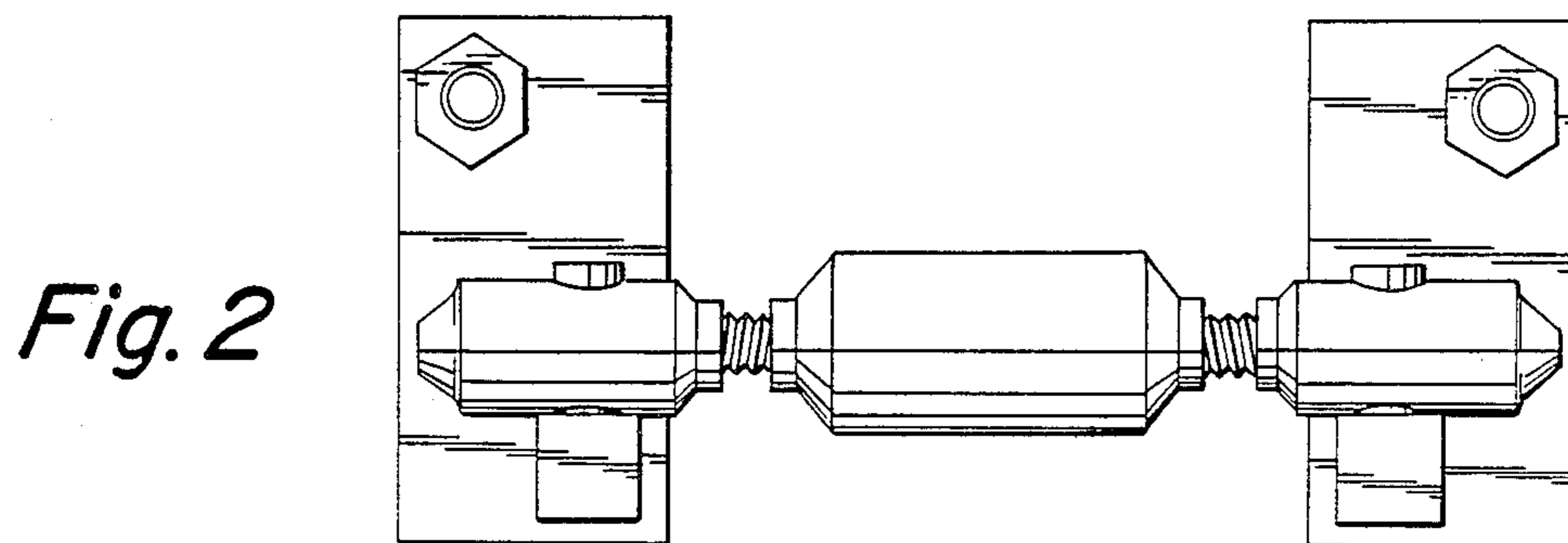


Fig. 2

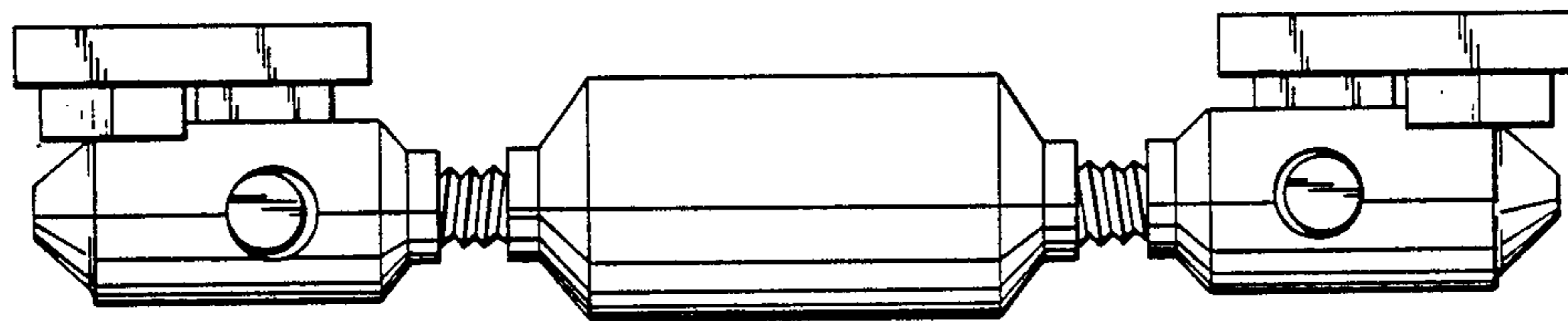


Fig. 3

Fig. 4

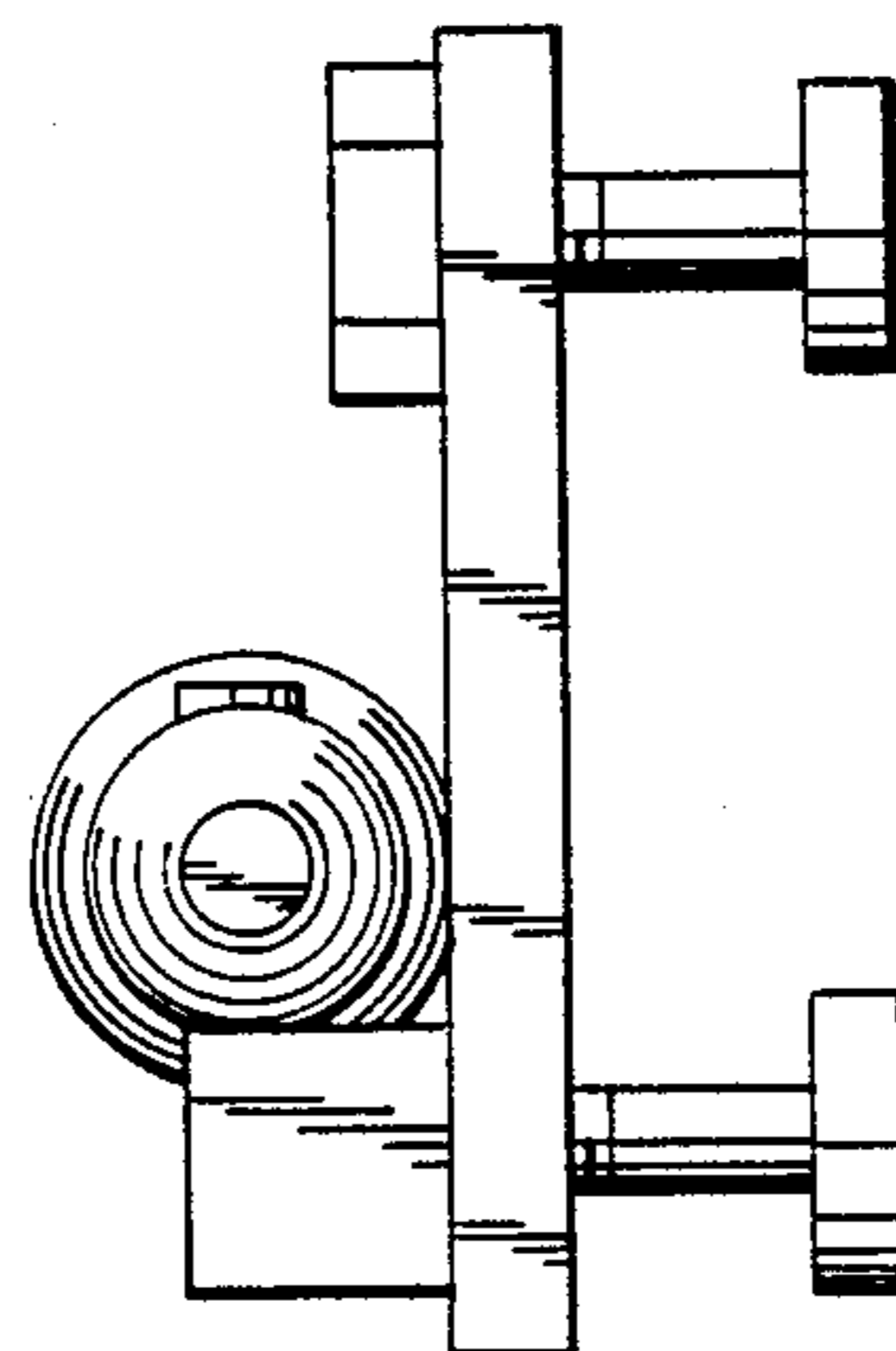
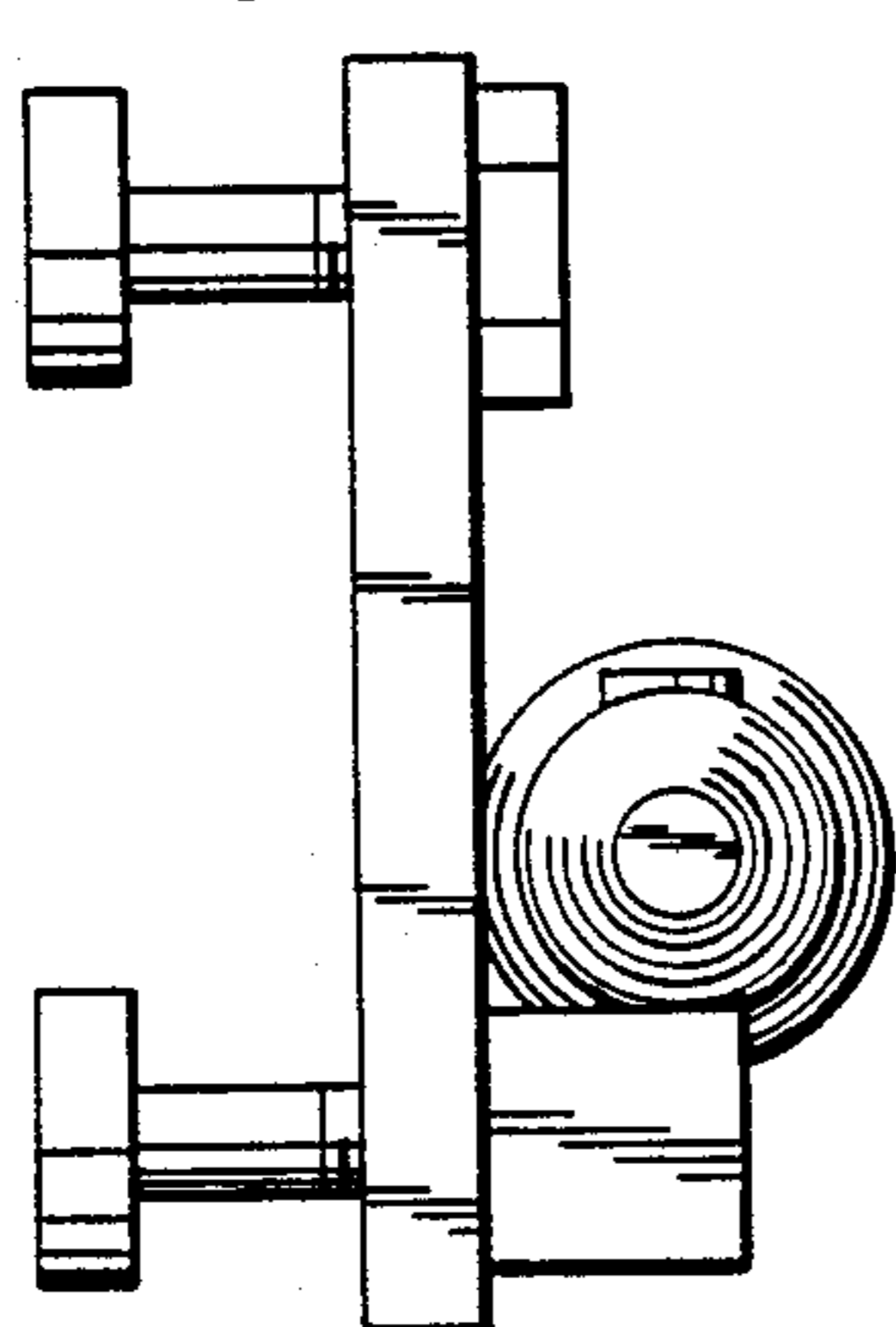


Fig. 5

Fig. 6

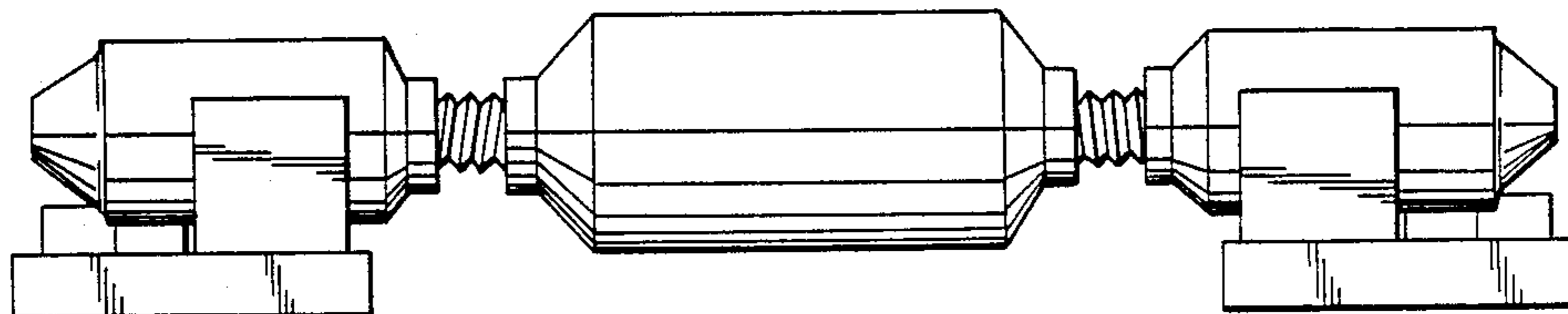
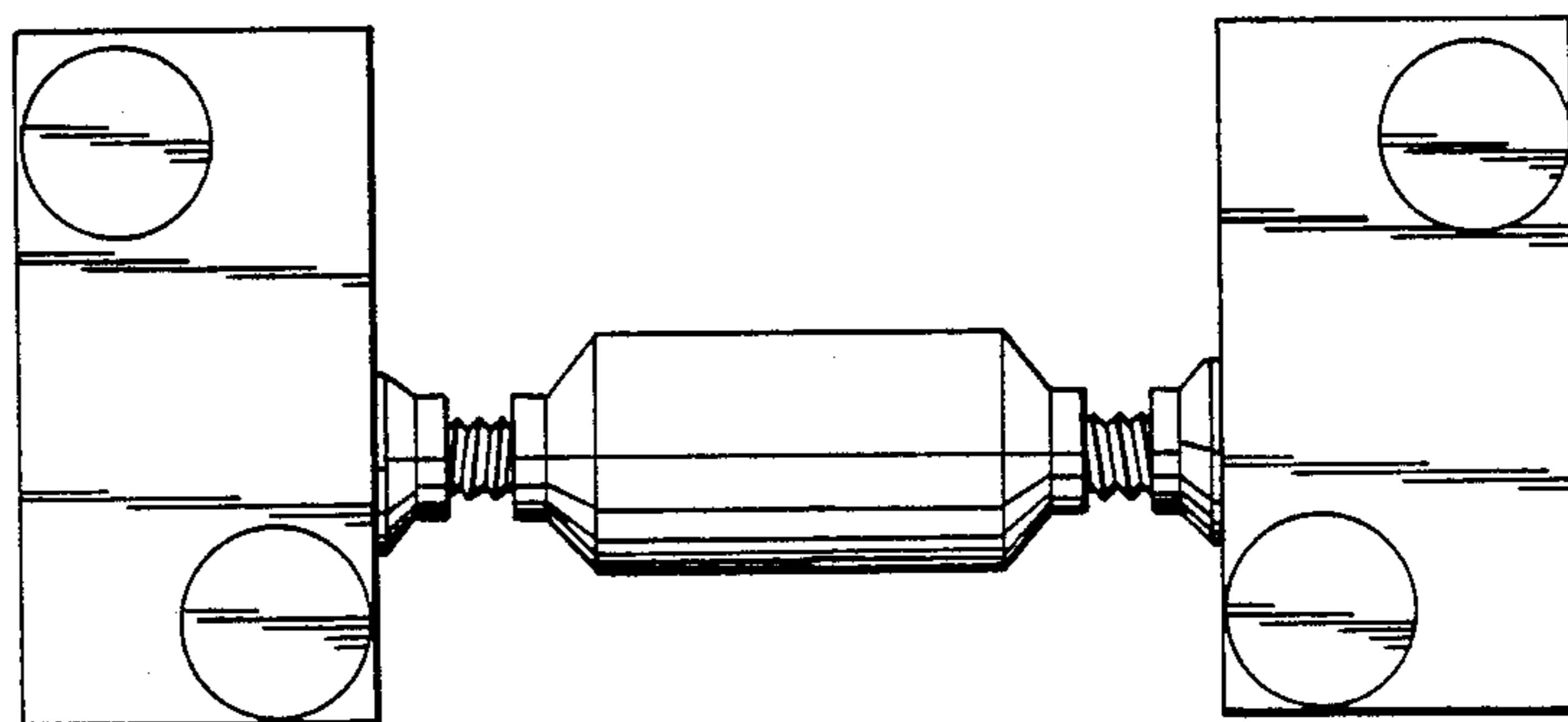


Fig. 7