

[54] LIFTING HANDLE FOR TOILET SEATS

[76] Inventor: Peter K. Purdy, 2648 NW. 87th, Seattle, Wash. 98117

[\*\*] Term: 14 Years

[21] Appl. No.: 808,580

[22] Filed: Dec. 13, 1985

[52] U.S. Cl. .... D8/307

[58] Field of Search ..... D23/309, 311; D8/300, D8/307, 314, 319; 4/251; 16/124

[56] References Cited

U.S. PATENT DOCUMENTS

D. 191,497	10/1961	Hottle	.....	D8/300
D. 237,797	11/1975	Hermann	.....	D8/319
D. 245,095	7/1977	Murray	.....	D23/309 X
D. 273,128	3/1984	Roddick	.....	D8/300
1,999,555	4/1935	Adams	.....	D23/311 X
2,236,576	4/1941	Loebner	.....	4/251
2,758,315	8/1956	Hylton	.....	4/251
3,191,193	6/1965	Bogenberger	.....	4/251
3,717,884	2/1973	Mantooth	.....	4/251 X
3,783,455	1/1974	Vanderbrook	.....	4/251 X
3,935,601	2/1976	Hermann	.....	4/251

4,129,907	12/1978	Vaughan et al.	.....	16/124
4,512,046	3/1985	Riggle	.....	4/251 X
4,519,105	5/1985	Blanck	.....	4/251 X
4,574,401	3/1986	Nakajima	.....	4/251

Primary Examiner—James R. Largen  
Attorney, Agent, or Firm—Ward Brown; Robert W. Beach

[57] CLAIM

The ornamental design for lifting handle for toilet seats, as shown and described.

DESCRIPTION

FIG. 1 is a perspective view taken from the top, front and left side of a lifting handle for toilet seats, showing my new design;

FIG. 2 is a left side elevational view thereof, the right side being a mirror image of the left side shown;

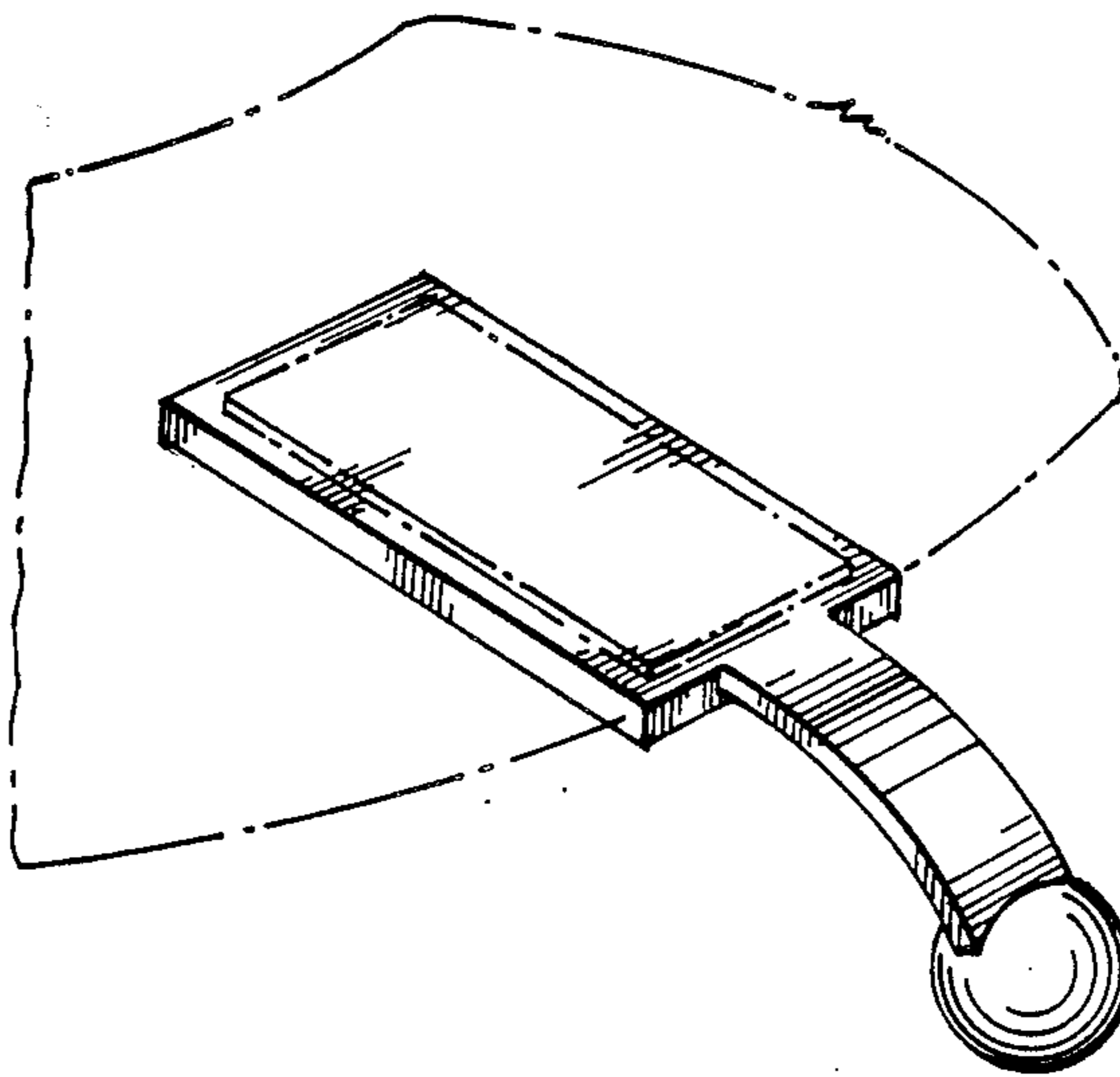
FIG. 3 is a front elevational view thereof;

FIG. 4 is a top plan view thereof;

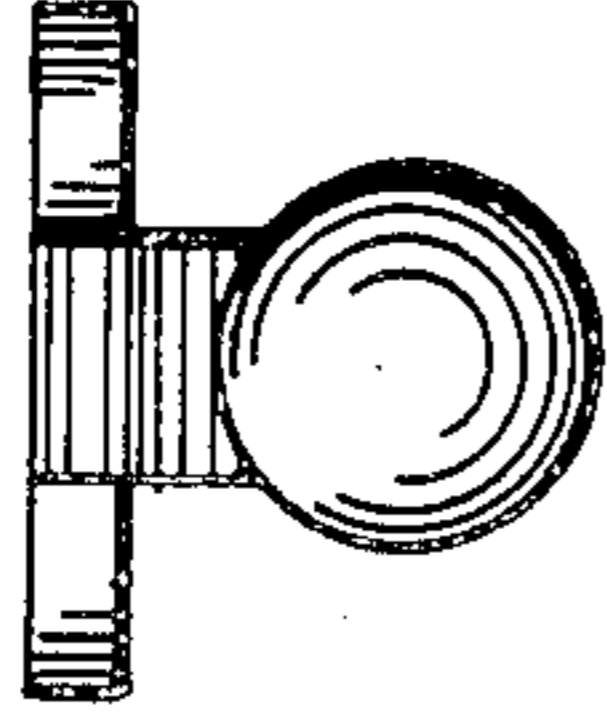
FIG. 5 is a bottom plan view thereof; and

FIG. 6 is a rear elevational view thereof.

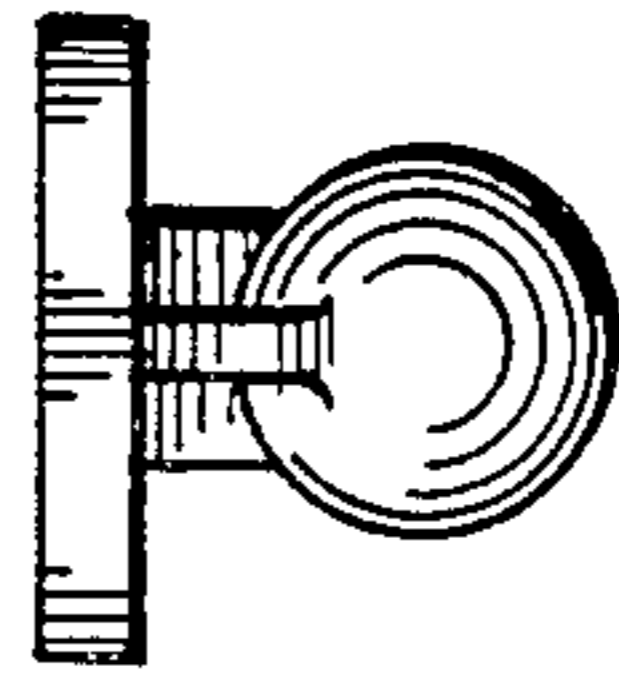
The fragmentary broken line representation of a toilet seat and the broken line representation of an adhesive pad in FIG. 1 is for purposes of illustration only and form no part of the claimed design.



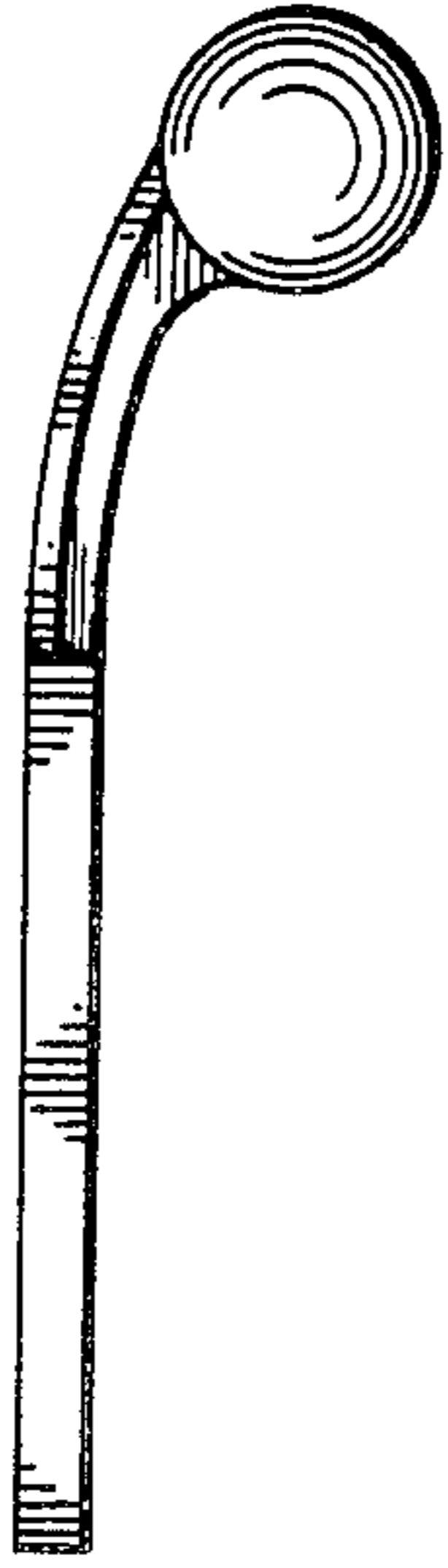
*Fig. 3.*



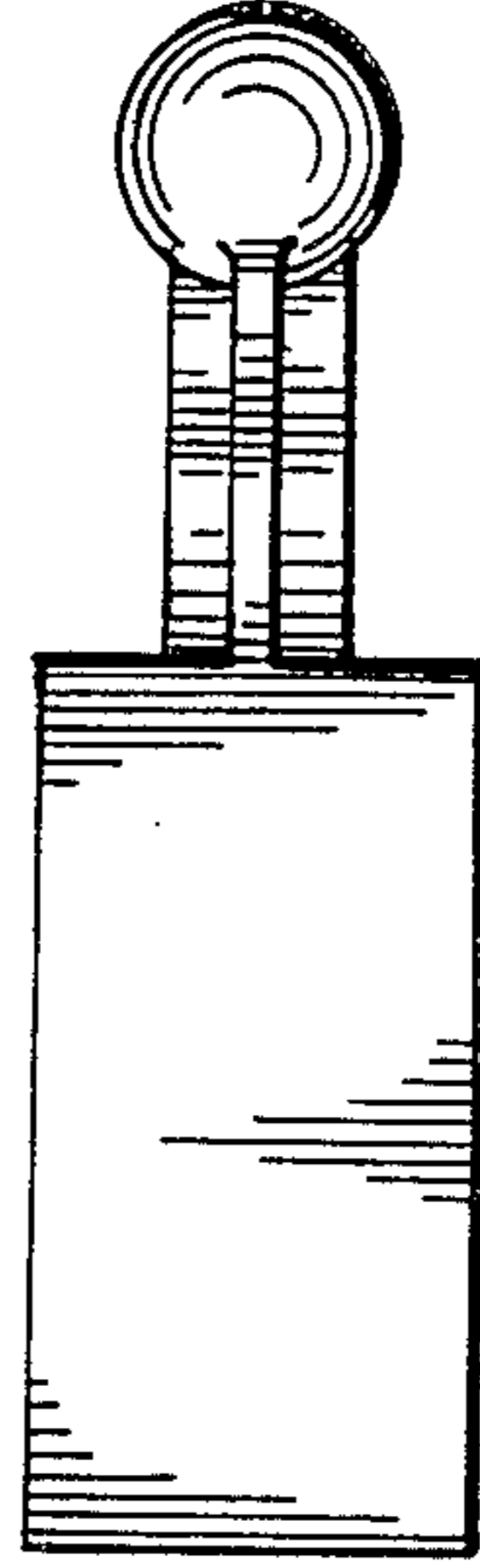
*Fig. 6.*



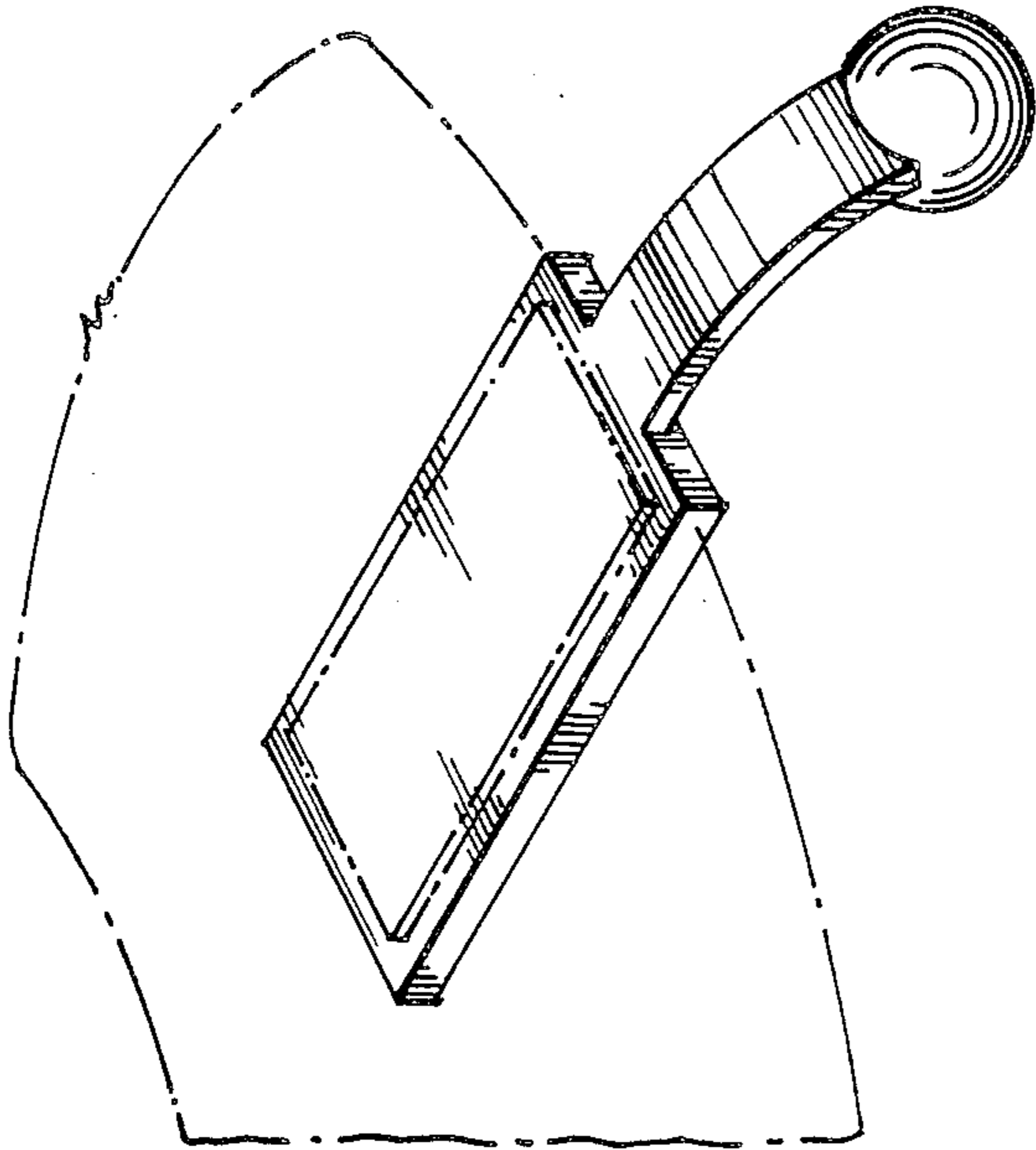
*Fig. 2.*



*Fig. 5.*



*Fig. 1.*



*Fig. 4.*

