

[54] DUAL MODE GREASE GUN

4,601,412 7/1986 Martin 222/256

[75] Inventor: Jerry D. Shew, Niles, Ill.

Primary Examiner—Wallace R. Burke
Assistant Examiner—Brian N. Vinson
Attorney, Agent, or Firm—Lorusso & Loud

[73] Assignee: Stewart Warner Corporation, Niles, Ind.

[57] CLAIM

[**] Term: 14 Years

The ornamental design for a dual mode grease gun, as shown and described.

[21] Appl. No.: 729,225

DESCRIPTION

[22] Filed: May 1, 1985

[52] U.S. Cl. D8/14.1

FIG. 1 is a perspective view of a dual mode grease gun showing my new design;

[58] Field of Search D8/14.1; 222/256, 260, 222/320, 324, 327, 340, 372, 383; 184/38.1, 14, 26

FIG. 2 is an enlarged right side elevational view thereof;

FIG. 3 is an enlarged front elevational view thereof;

FIG. 4 is an enlarged rear elevational view thereof;

FIG. 5 is an enlarged left side elevational view thereof;

FIG. 6 is an enlarged top plan view thereof;

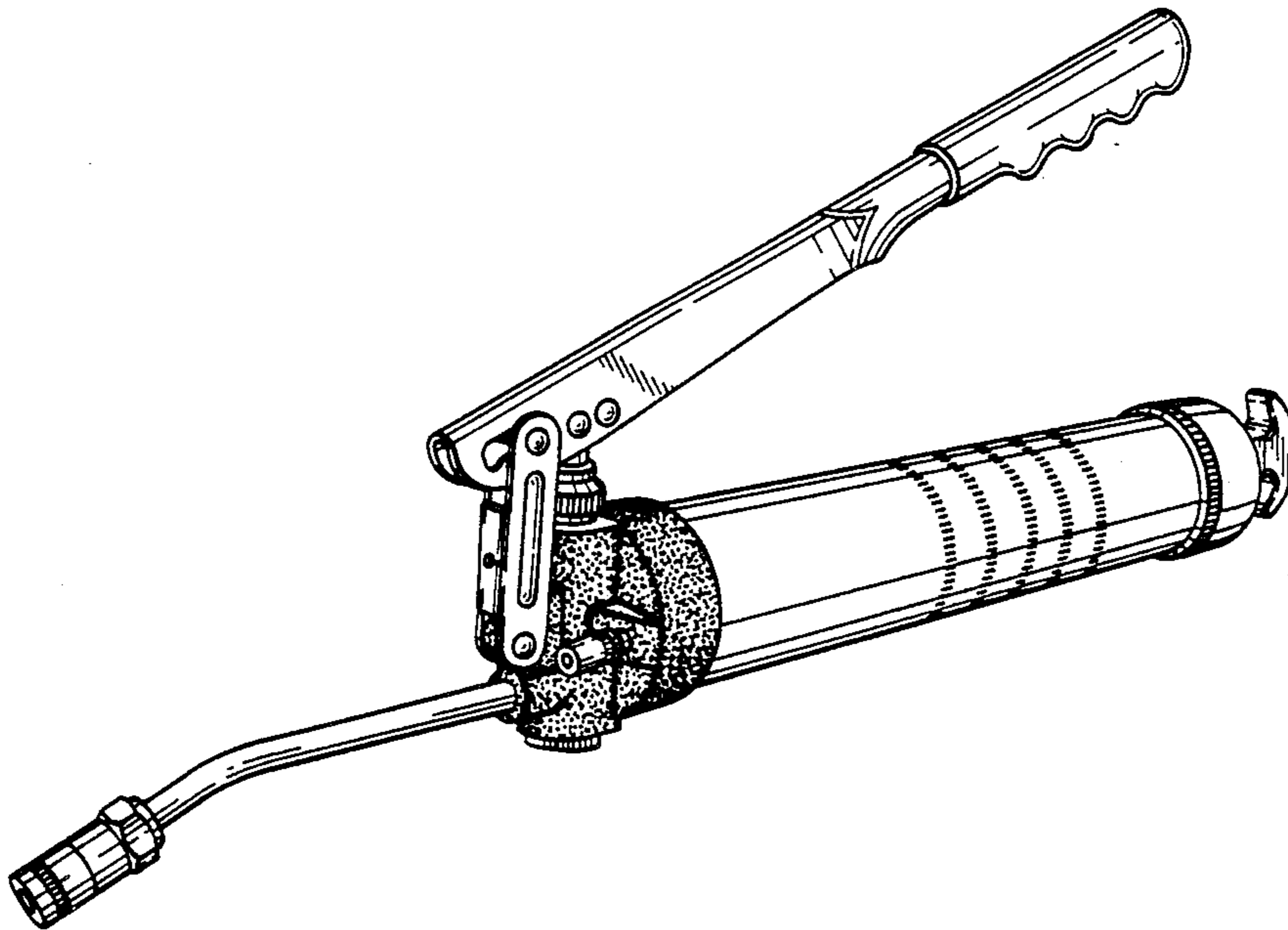
FIG. 7 is an enlarged bottom plan view thereof; and

FIG. 8 is a perspective view thereof, with the lever shown in the raised position.

[56] References Cited

U.S. PATENT DOCUMENTS

D. 133,007	7/1942	Hawkins	D8/14.1
D. 140,987	4/1945	Sundberg	D8/14.1
3,021,036	2/1962	Guedon	222/256
3,187,959	6/1965	Morehouse	222/256



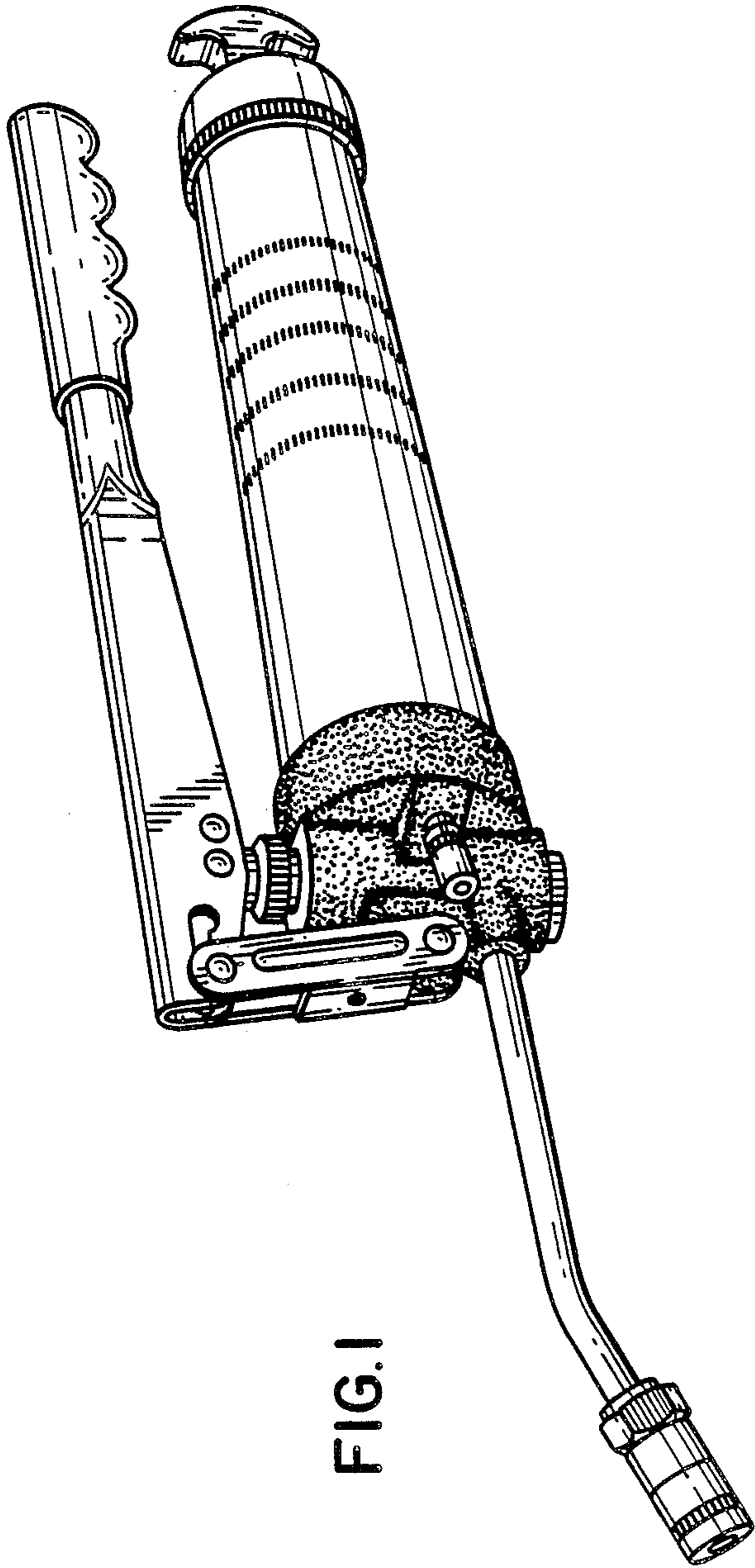


FIG. 1

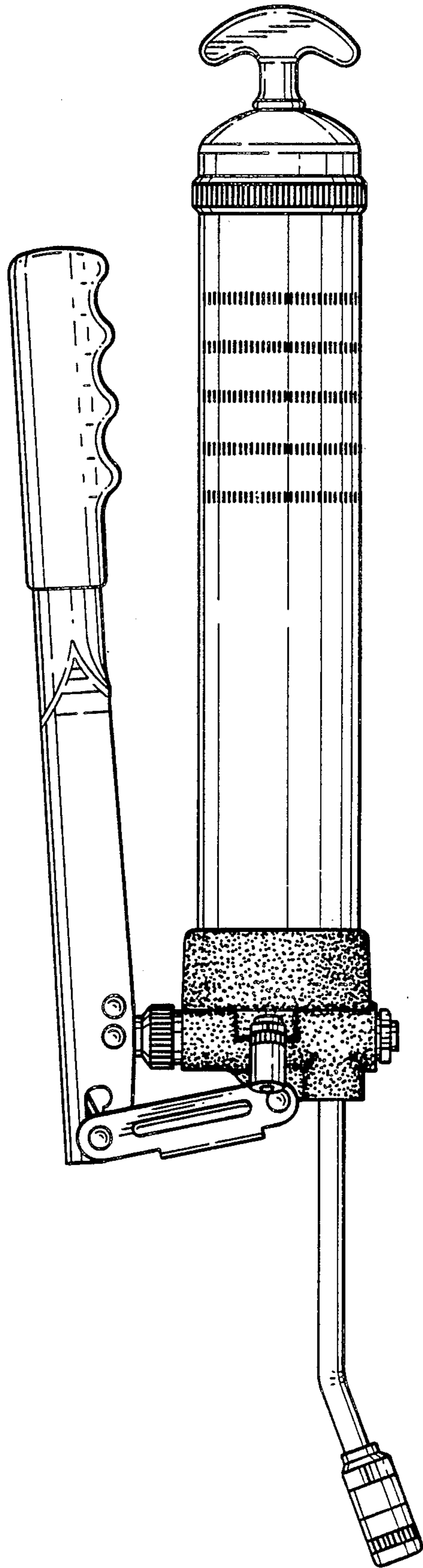


FIG. 2

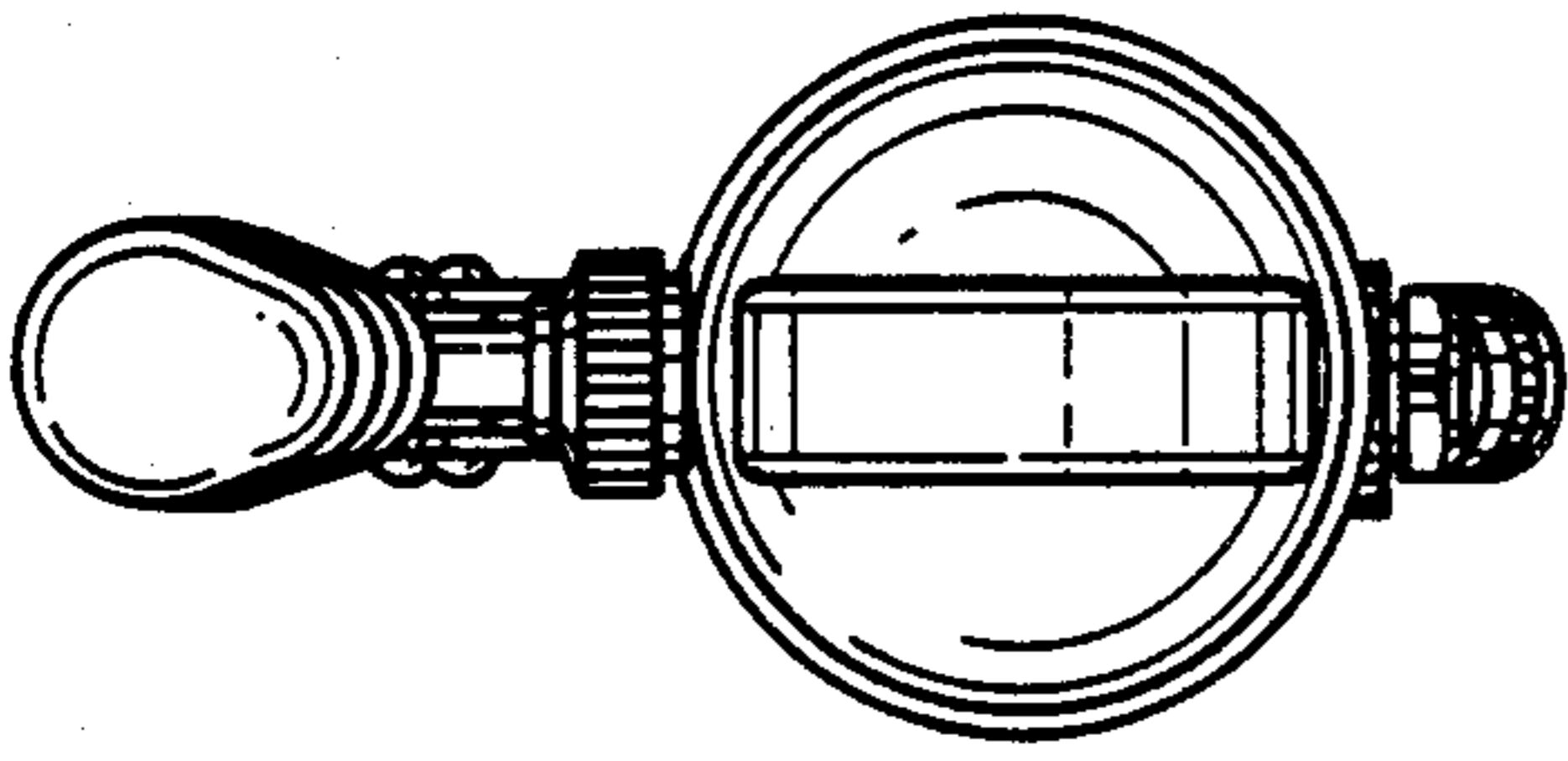


FIG. 4

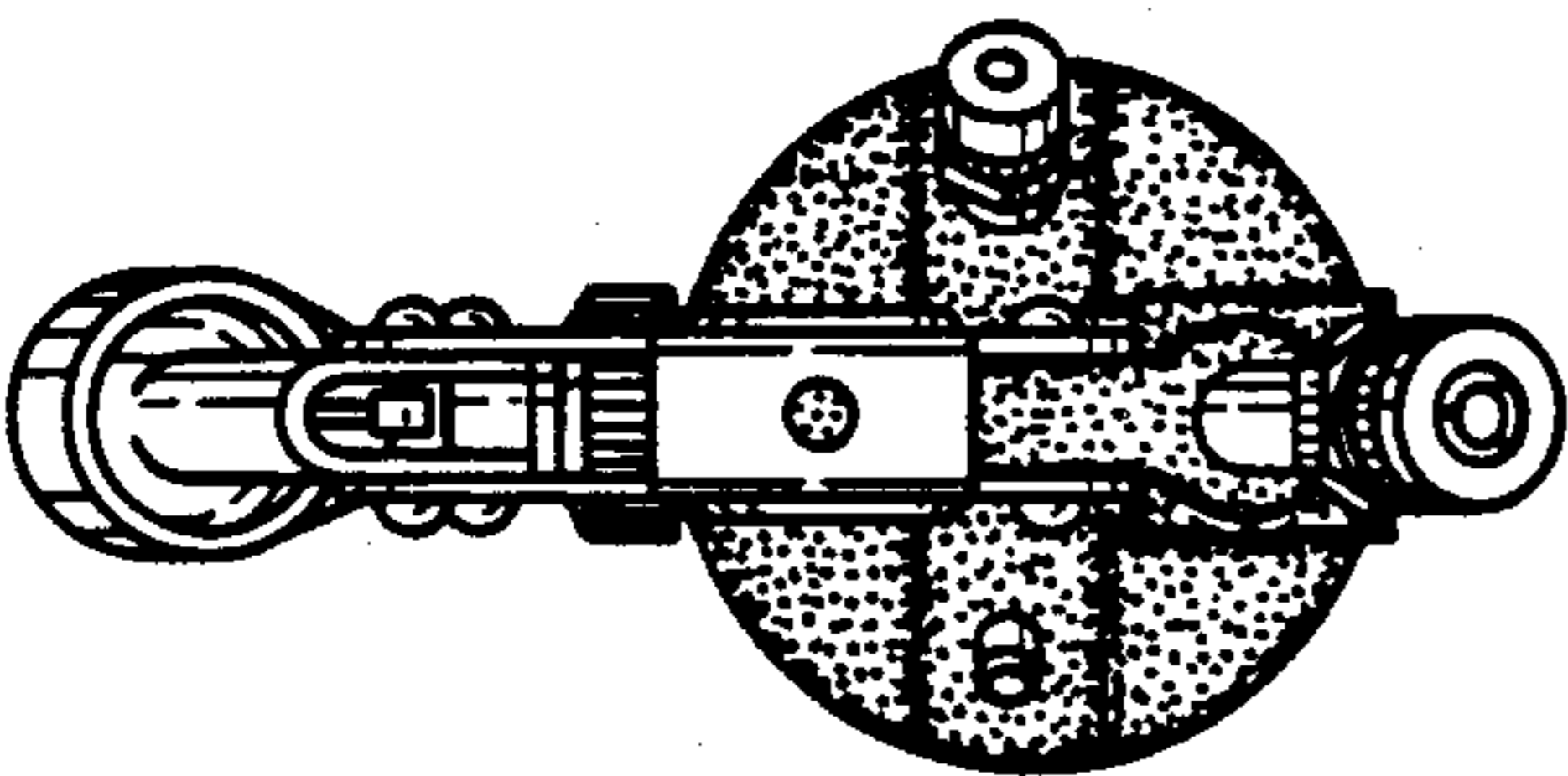


FIG. 3

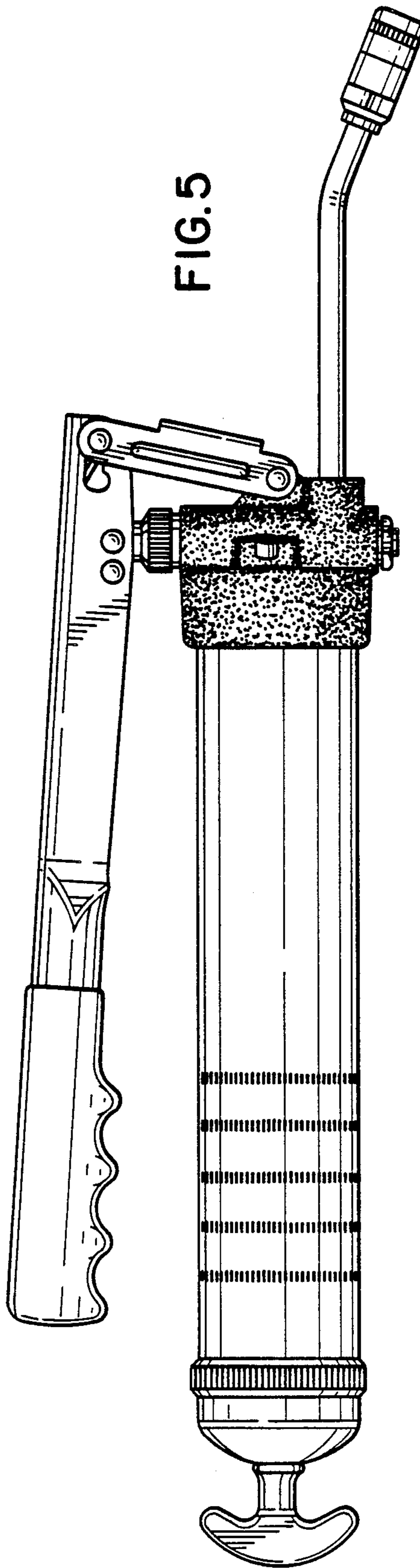


FIG. 5

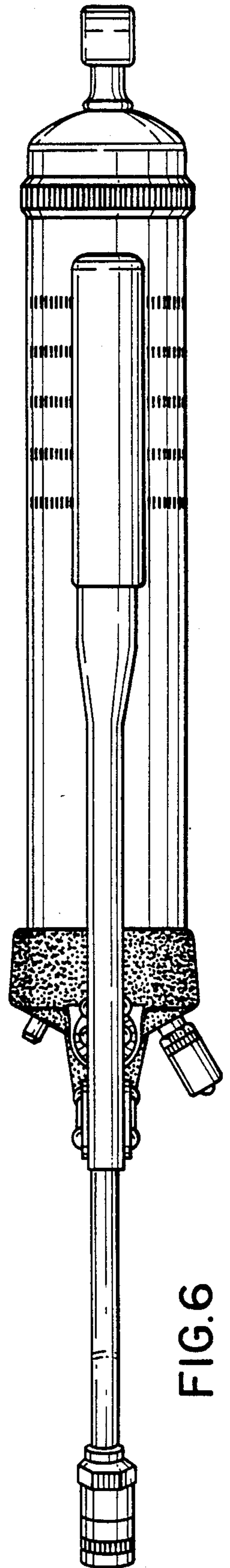


FIG. 6

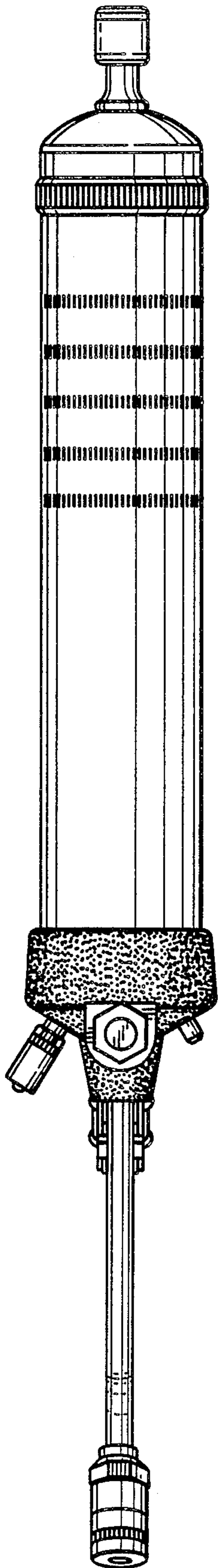


FIG. 7

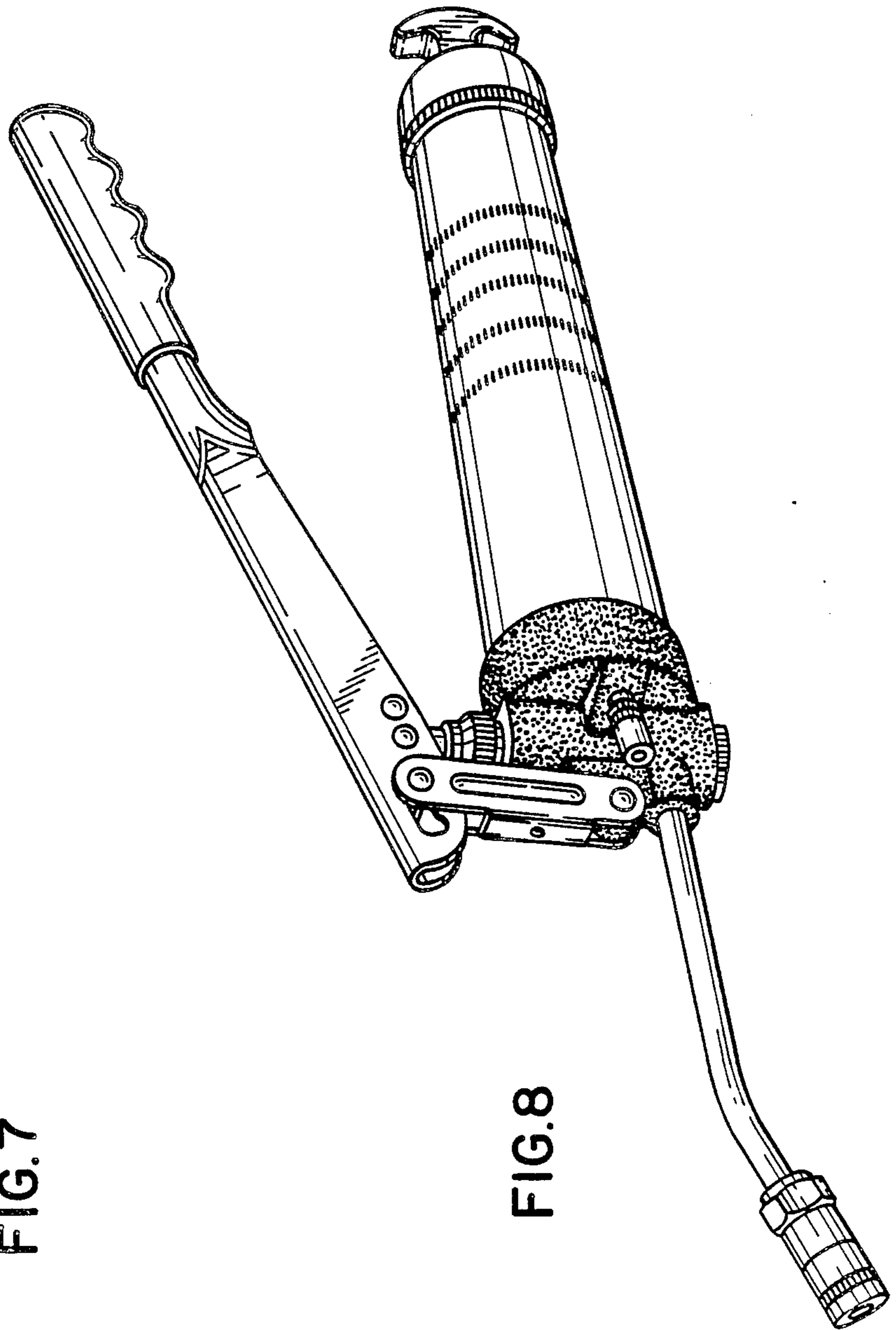


FIG. 8