

[54] DISH FOR BUTTER

[76] Inventor: Ronald DeVito, 394 Somerville Pl., Yonkers, N.Y. 10703

[**] Term: 14 Years

[21] Appl. No.: 770,451

[22] Filed: Aug. 29, 1985

[52] U.S. Cl. D7/84

[58] Field of Search D7/37, 84, 43; 30/115

[56] References Cited

U.S. PATENT DOCUMENTS

D. 81,225	5/1930	Boattenhamer	D7/37
D. 158,999	6/1950	Paul	D7/84 X
D. 204,614	5/1966	Swett	D7/84
2,595,696	5/1952	Paul	D7/43

Primary Examiner—Bernard Ansher
Assistant Examiner—Terry Pfeffer
Attorney, Agent, or Firm—John F. Ohlandt

[57] CLAIM

The ornamental design for a dish for butter, as shown and described.

DESCRIPTION

FIG. 1 is a perspective view of a dish for butter showing my new design, the lid shown in broken lines for illustrative purposes only;

FIG. 2 is a side elevation view thereof; the opposite side elevation is a substantial mirror image;

FIG. 3 is a top plan view thereof;

FIG. 4 is a right end elevation view thereof;

FIG. 5 is a bottom plan view thereof;

FIG. 6 is a left end elevation view thereof.

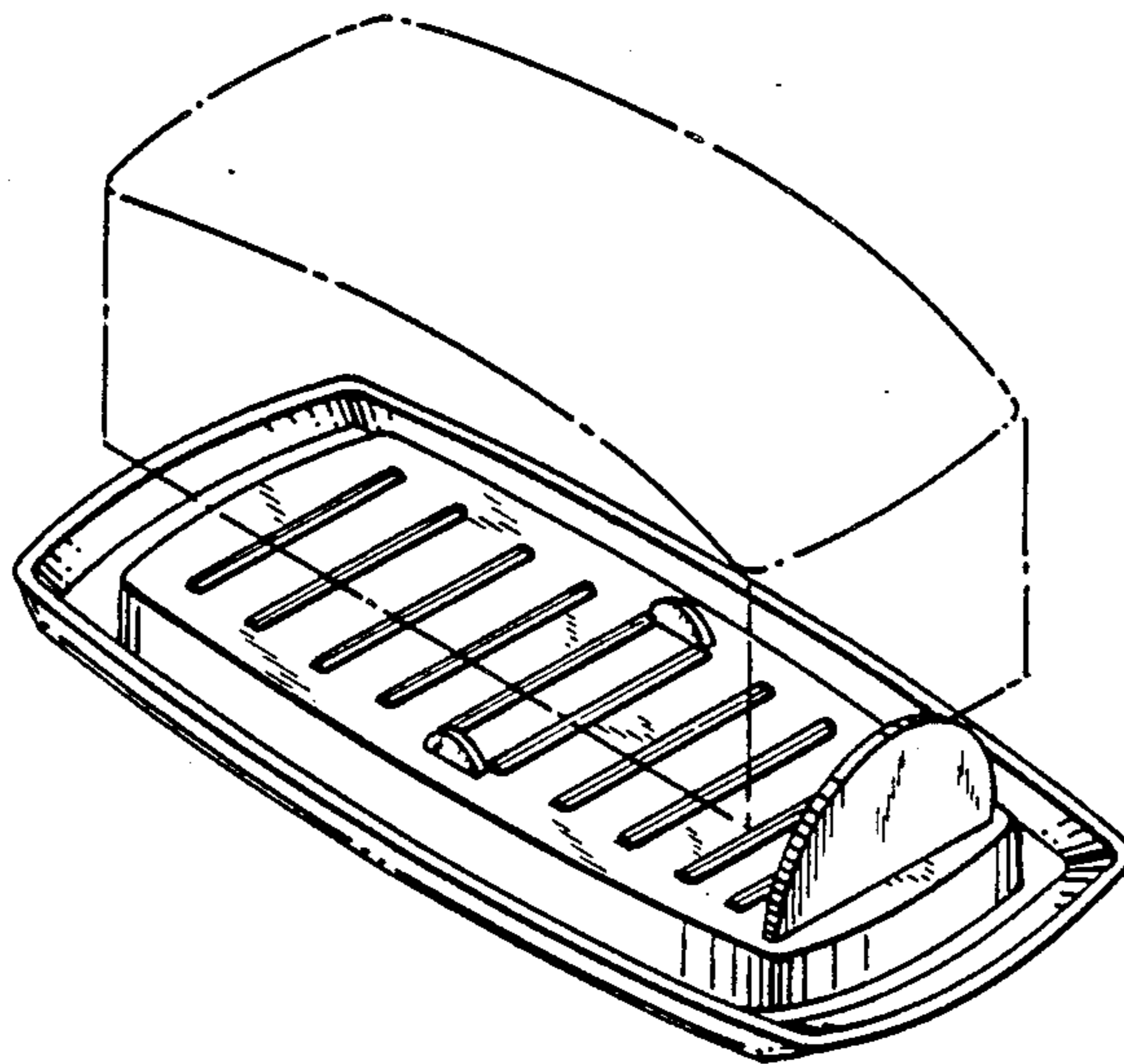


FIG.1

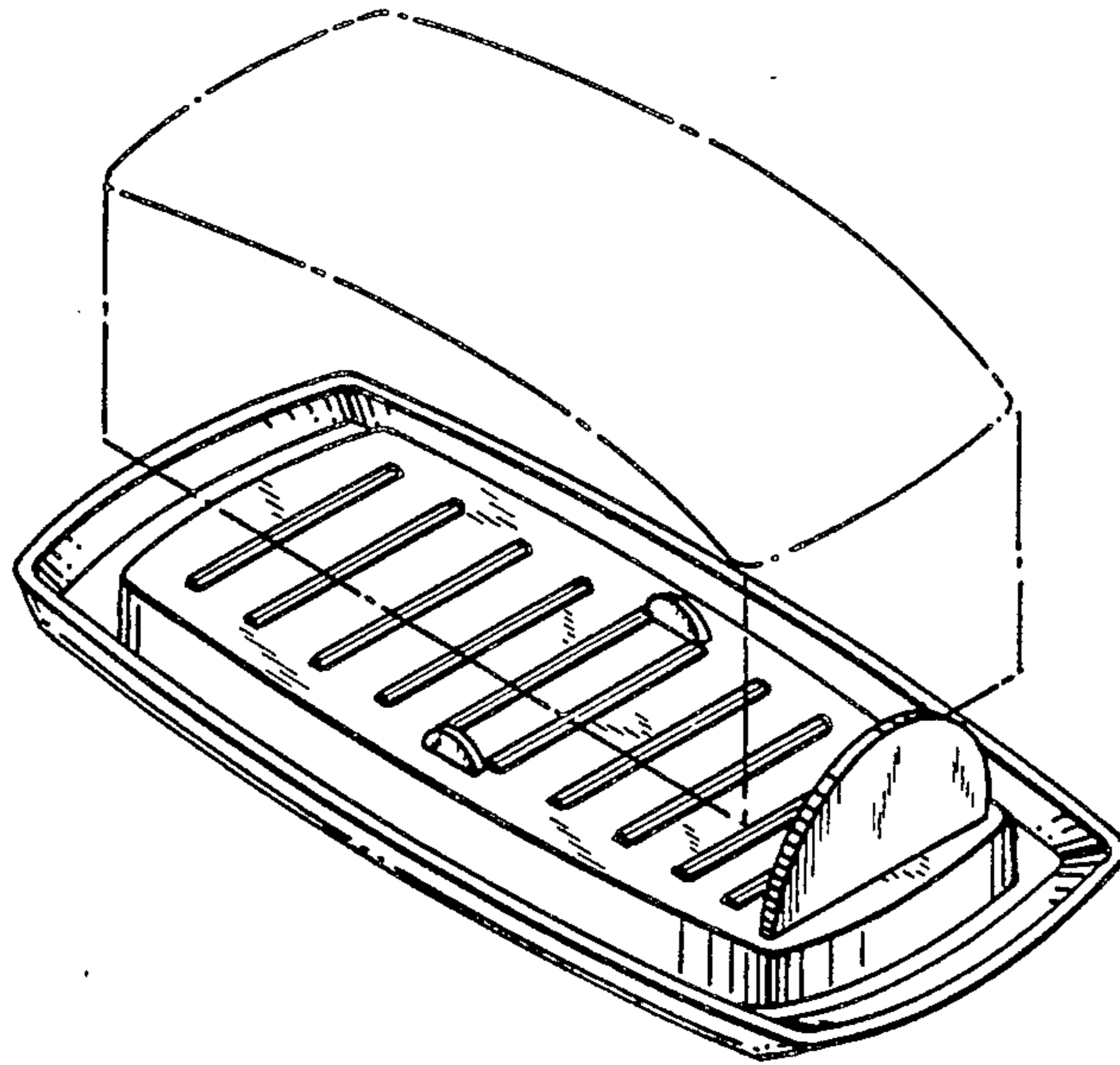


FIG.2

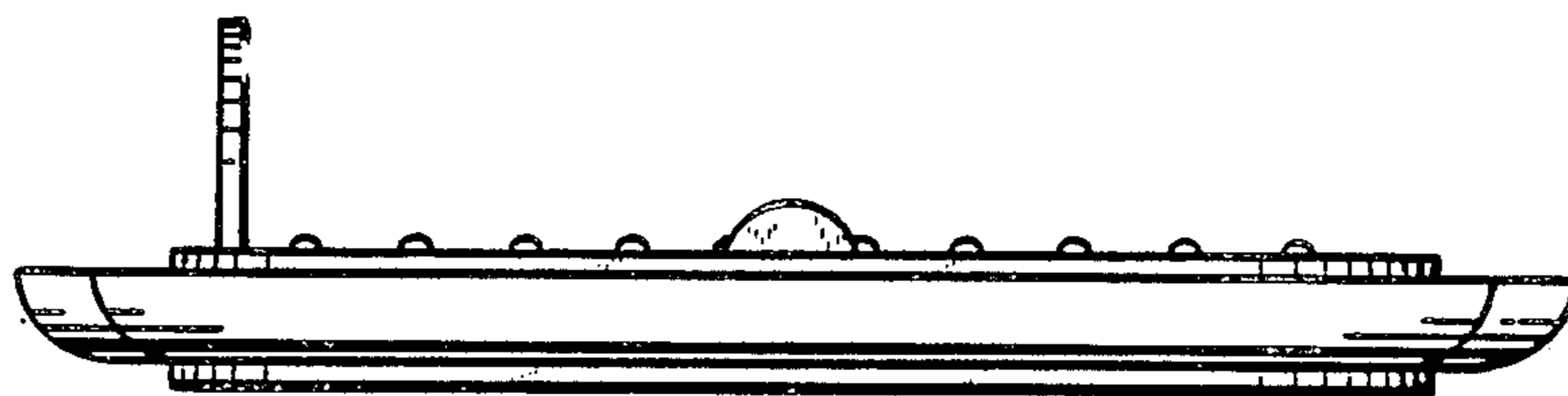


FIG.3

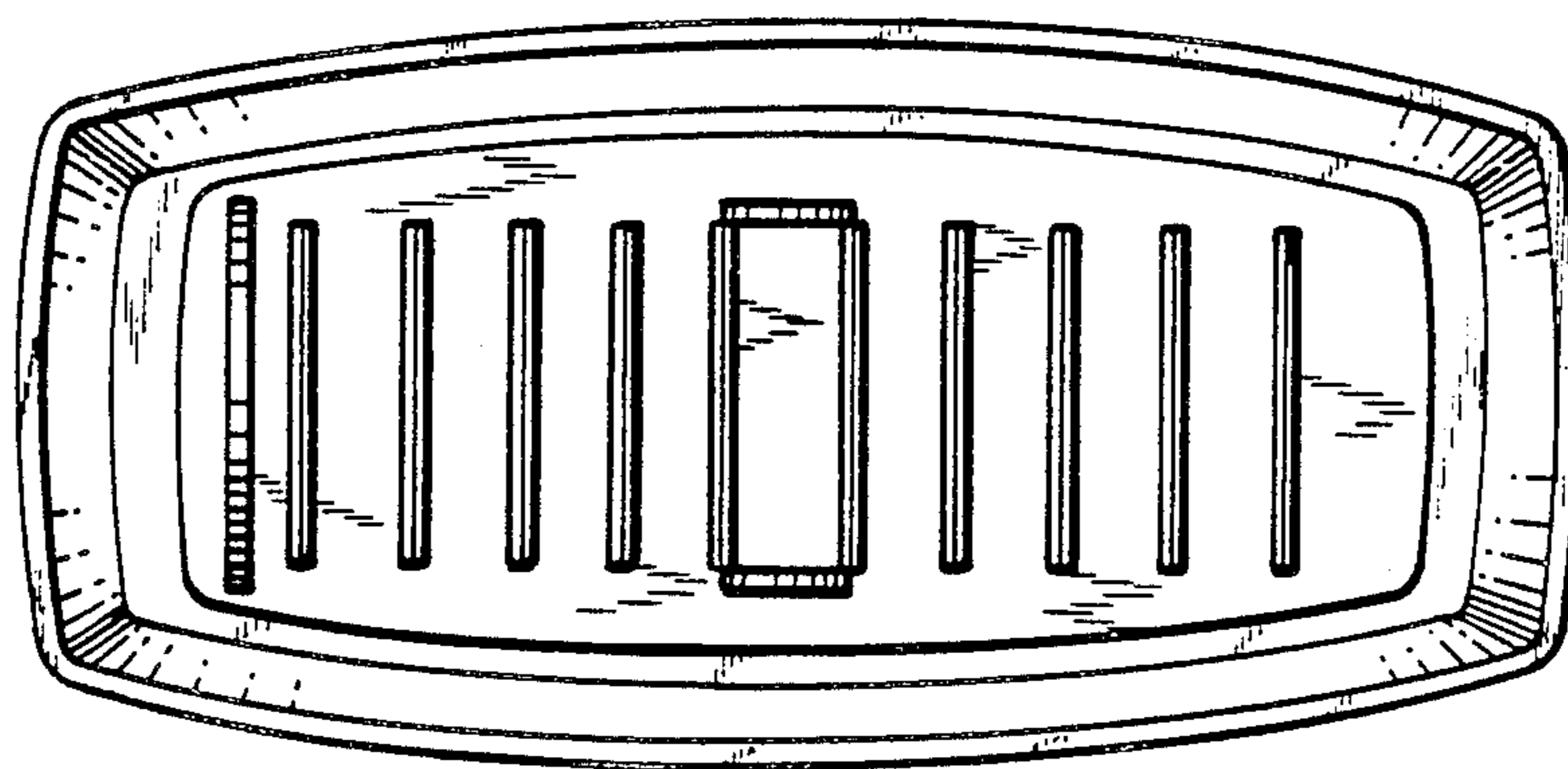


FIG.4

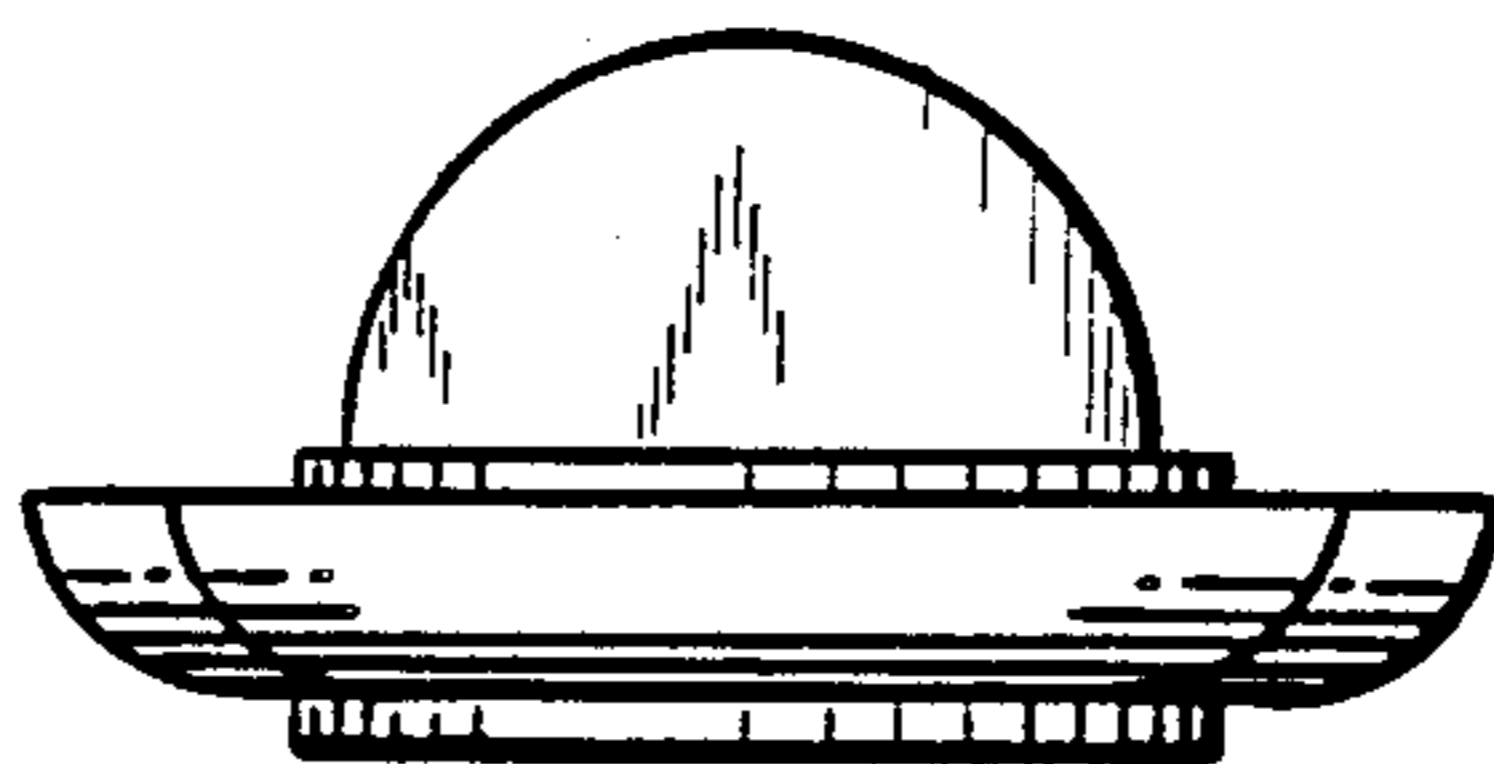


FIG.5

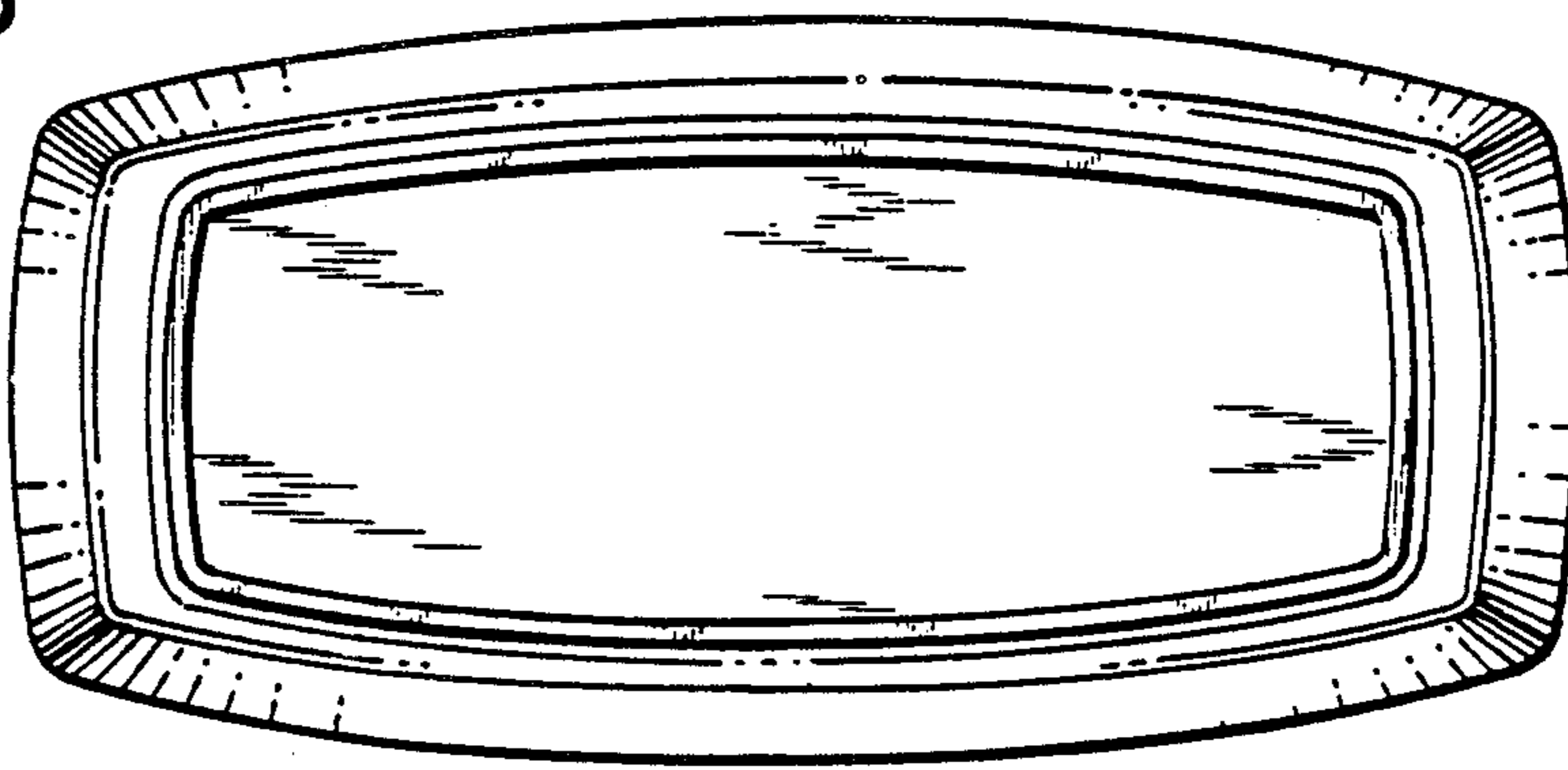


FIG.6

