

[54] CHAIR BASE OR SIMILAR ARTICLE

[75] Inventor: Stephan du Rées, Lidingö, Sweden

[73] Assignee: Mercado Rehabilitering, Stockholm, Sweden

[\*\*] Term: 14 Years

[21] Appl. No.: 737,858

[22] Filed: May 28, 1985

[30] Foreign Application Priority Data

Nov. 28, 1984 [SE] Sweden ..... 843179  
Nov. 28, 1984 [SE] Sweden ..... 843180  
Nov. 28, 1984 [SE] Sweden ..... 843181  
Nov. 28, 1984 [SE] Sweden ..... 843182

[52] U.S. Cl. .... D6/498; D6/466

[58] Field of Search ..... D6/431, 467, 468, 466,  
D6/498; 248/188.7

[56] References Cited

U.S. PATENT DOCUMENTS

D. 206,000 10/1966 Moore et al. .... D6/498  
D. 268,458 4/1983 Schoenig ..... D6/431  
3,062,494 11/1962 French ..... 248/188.7 X

Primary Examiner—Bruce W. Dunkins  
Attorney, Agent, or Firm—Sughrue, Mion, Zinn,  
Macpeak & Seas

[57] CLAIM

The ornamental design for a chair base or similar article, as shown and described.

DESCRIPTION

FIG. 1 is a perspective view of a chair base or similar article, showing my design;

FIG. 2 is a perspective view of a chair base, showing a second embodiment of my design;

FIG. 3 is a perspective view of a chair base showing a third embodiment of my design; and,

FIG. 4 is a perspective view of a chair base showing a fourth embodiment of my design.

The chair base forms are generally symmetrical about a vertical axis while the undisclosed bottom surfaces are unadorned.

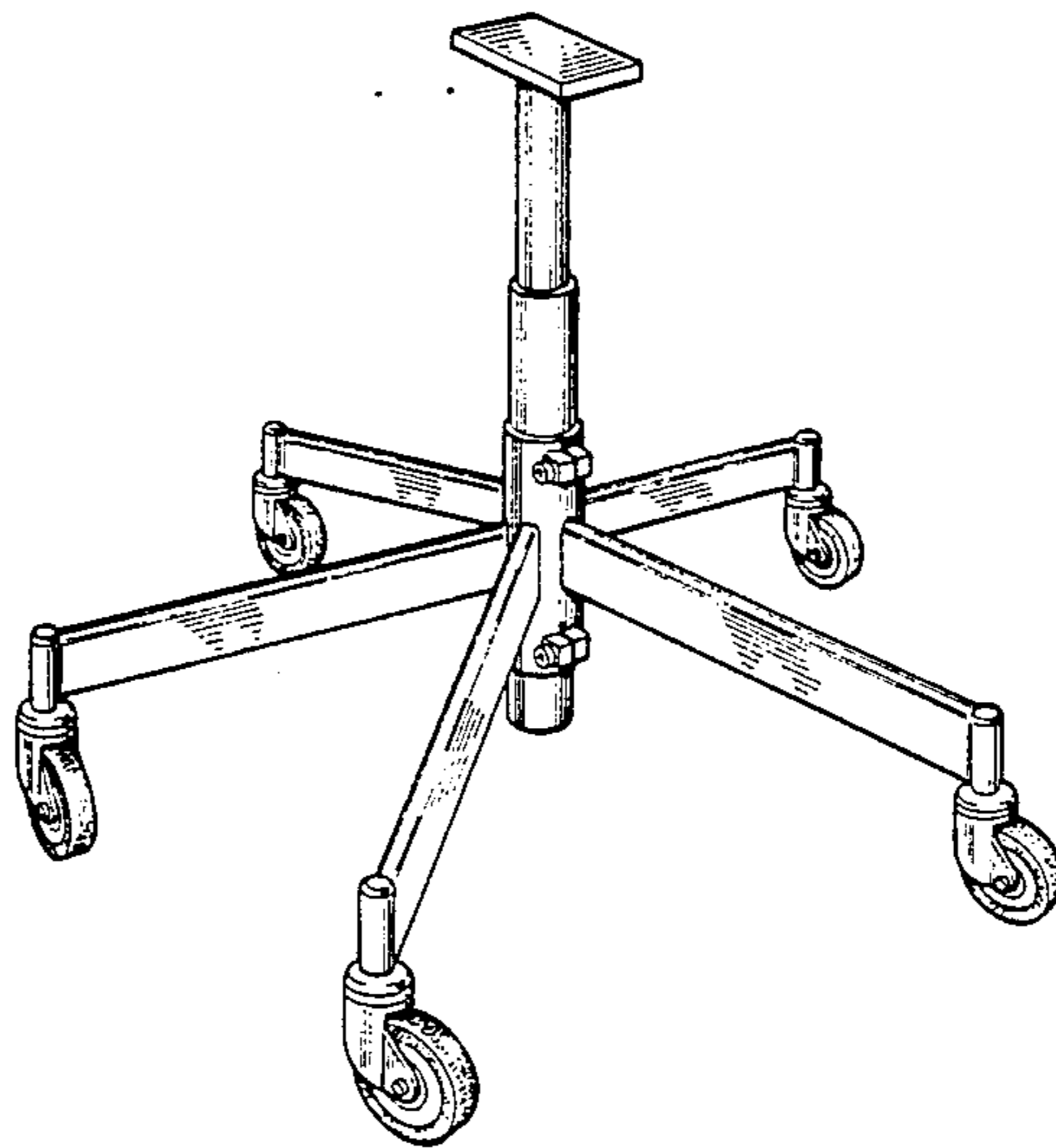


FIG. 1

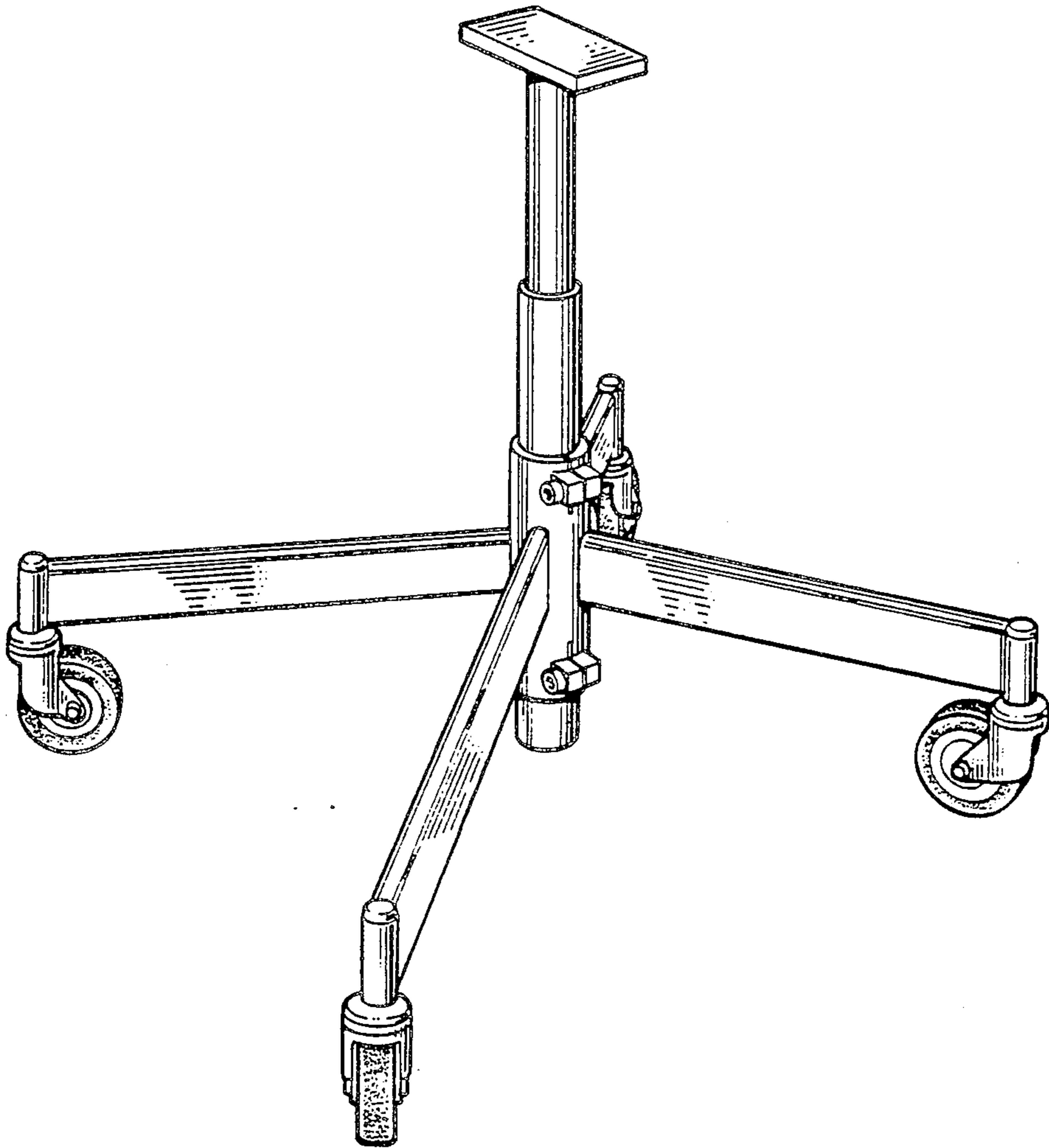
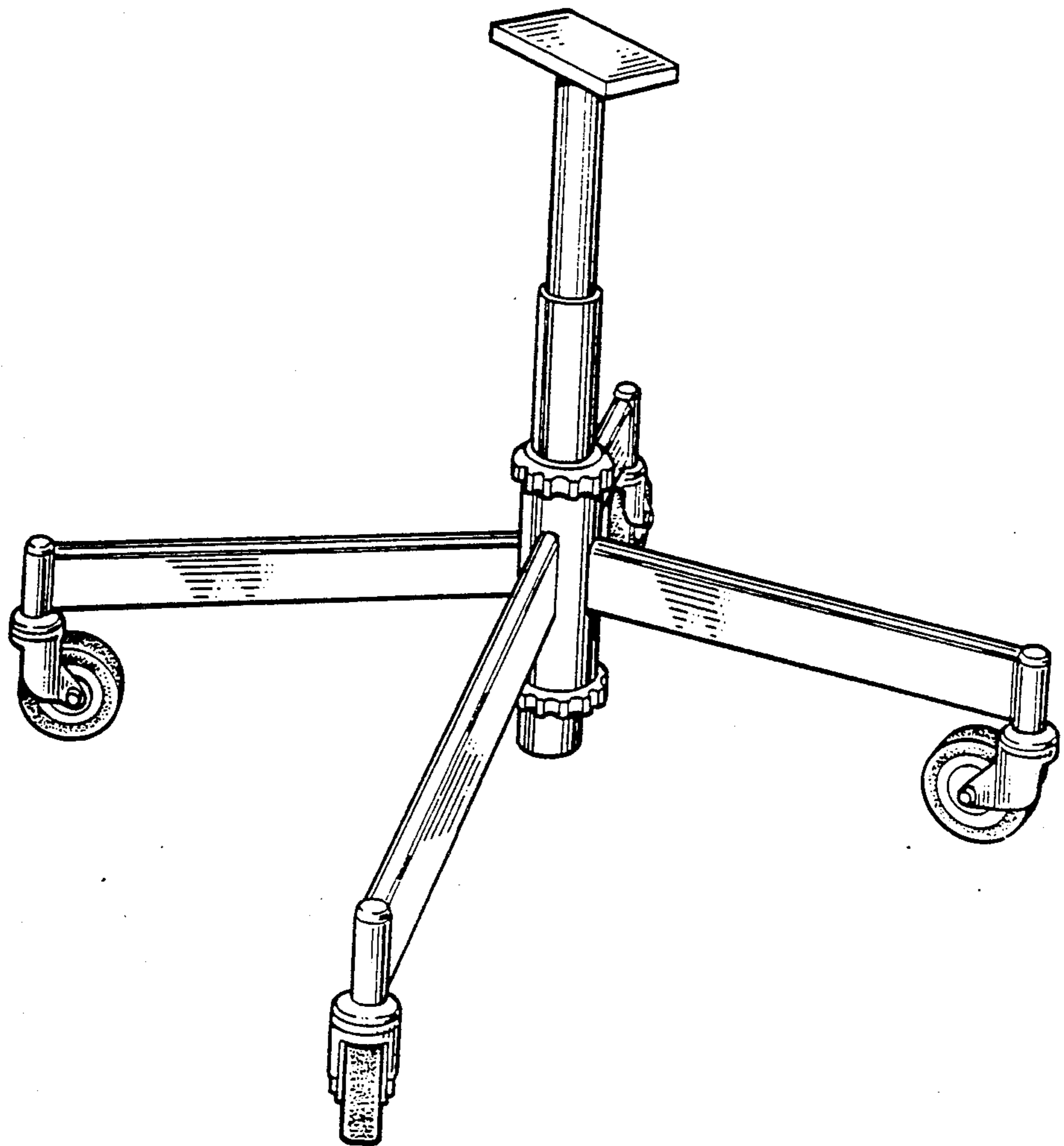


FIG. 2



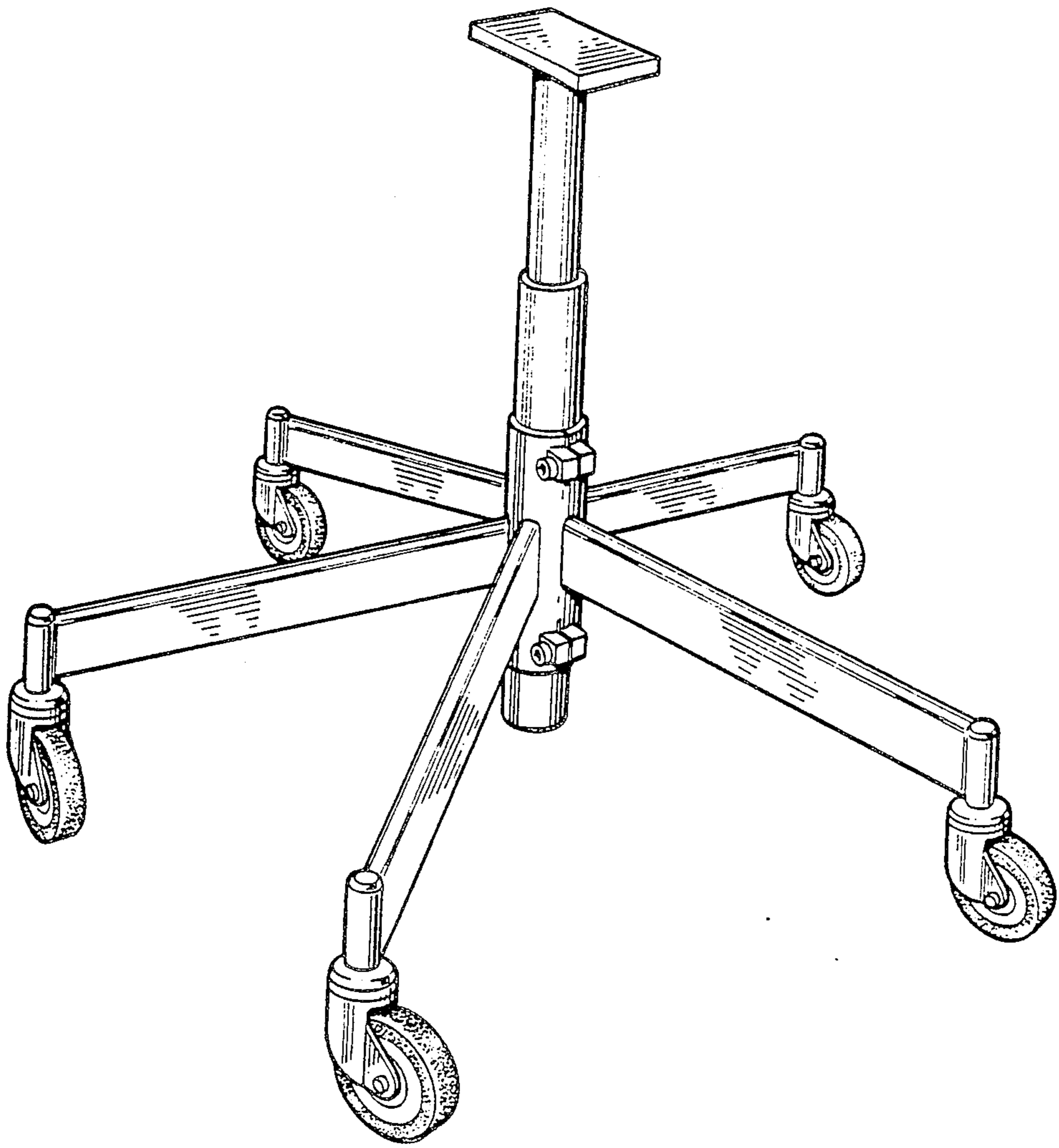


FIG. 3

FIG. 4

