

[54] SKI RACK  
 [76] Inventor: Richard G. Brace, Two Maple La.,  
 Dover, Mass. 02030  
 [\*\*] Term: 14 Years  
 [21] Appl. No.: 803,841  
 [22] Filed: Dec. 2, 1985  
 [52] U.S. Cl. .... D6/457; D6/458  
 [58] Field of Search ..... D6/455, 457, 458, 461;  
 211/70.5, 44

3,874,512 4/1975 Wegley et al. .... 211/70.5 X  
 4,222,490 9/1980 Wood, Jr. .... 211/70.5

FOREIGN PATENT DOCUMENTS

1335767 7/1963 France ..... 211/70.5

Primary Examiner—Carmen H. Vales

[57] CLAIM

The ornamental design for a ski rack, substantially as shown and described.

DESCRIPTION

FIG. 1 is a side elevational view of a ski rack showing my new design, the opposite side being identical thereto;

FIG. 2 is a quarter elevational view thereof;

FIG. 3 is a top plan view thereof;

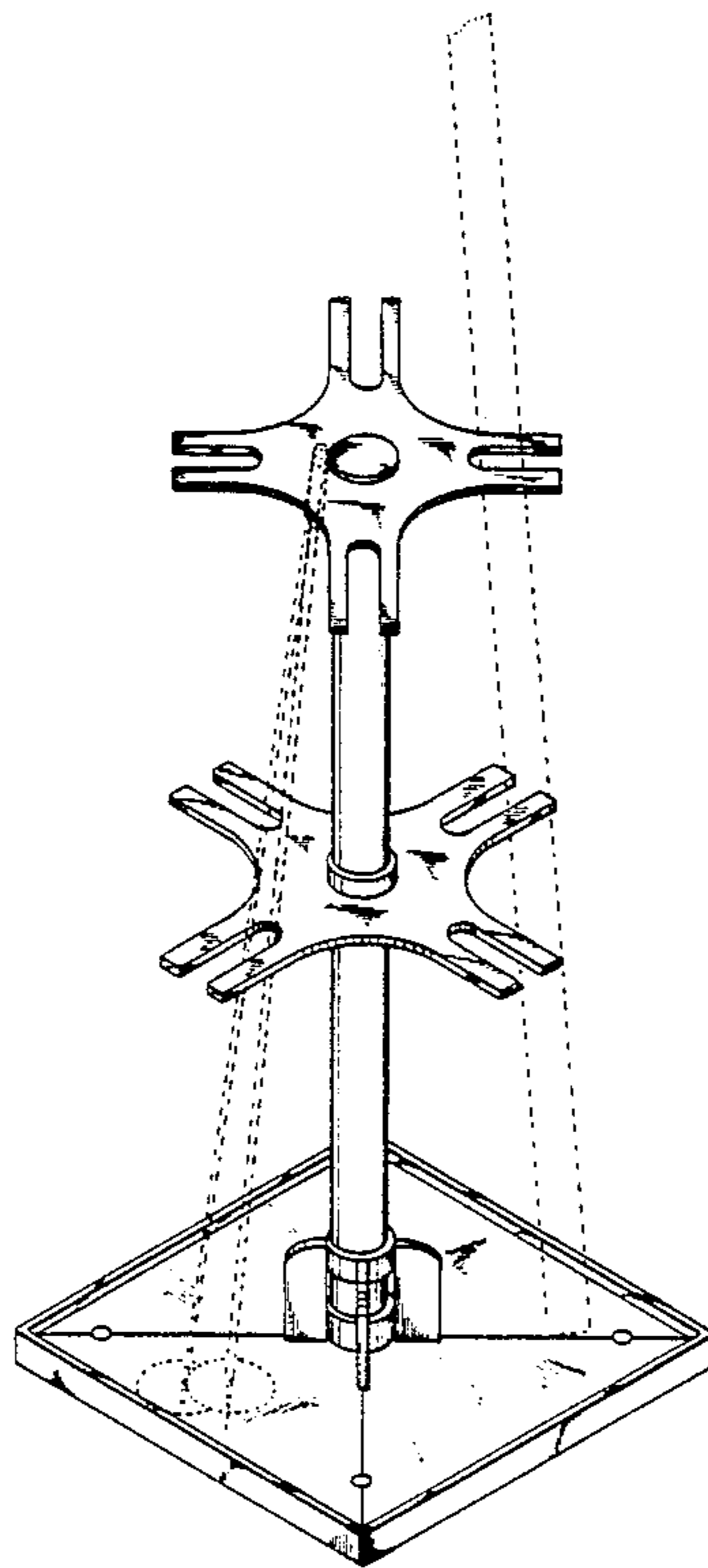
FIG. 4 is a bottom plan view thereof; and

FIG. 5 is a perspective view with the showing of environmental structure in broken lines for illustrative purposes only.

[56] References Cited

U.S. PATENT DOCUMENTS

D. 137,374	2/1944	Hansen et al. ....	D6/457
D. 206,699	1/1967	Douglas .....	D6/458
D. 206,920	2/1967	Braun .....	D6/467
D. 237,752	11/1975	Hendry .....	D6/457
D. 243,645	3/1977	Slack .....	D6/457
D. 263,780	4/1982	Hildebrand et al. ....	D6/457
2,963,165	12/1960	Steiner .....	211/70.5 X



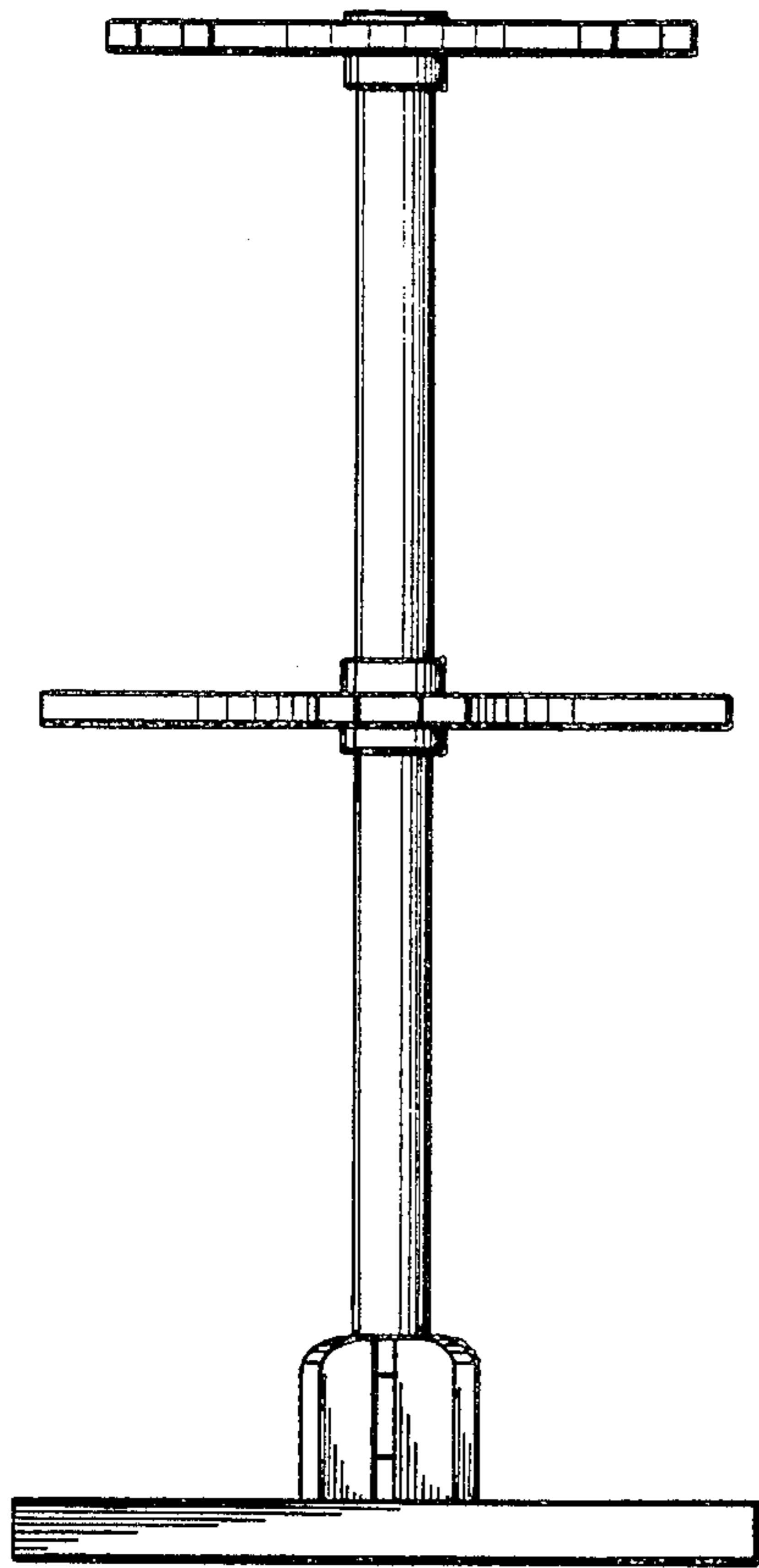


FIG. 1

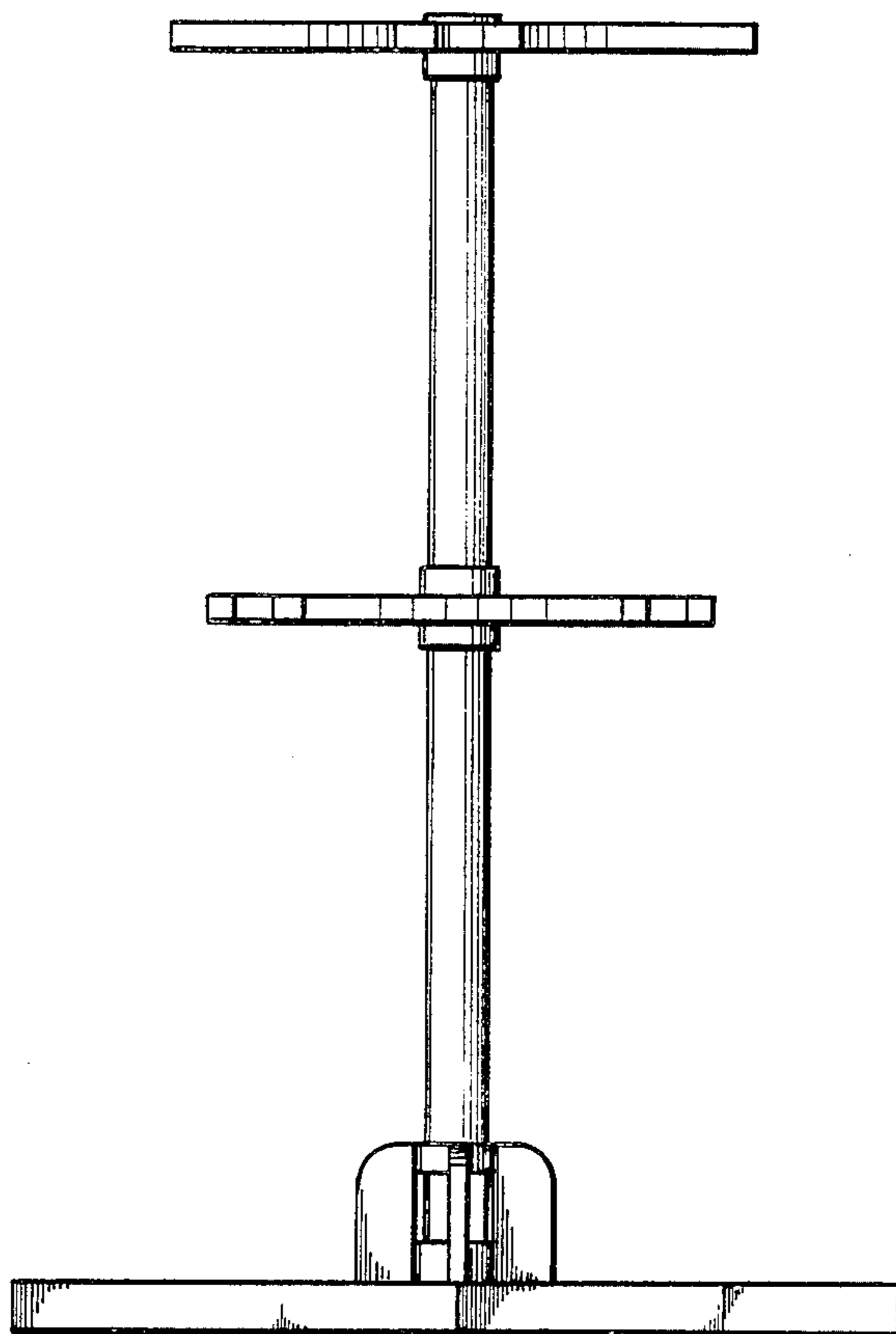


FIG. 2

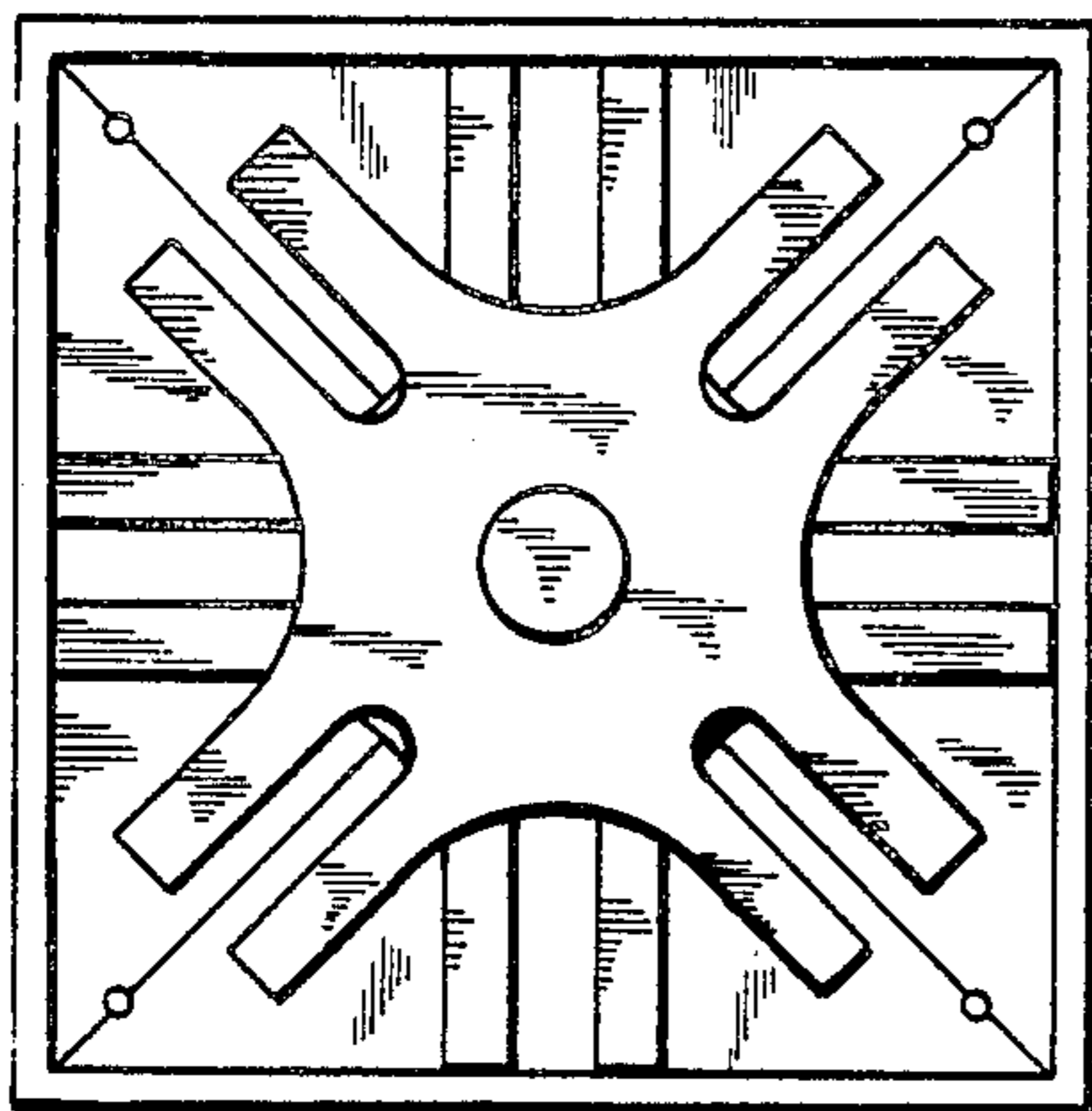


FIG. 3

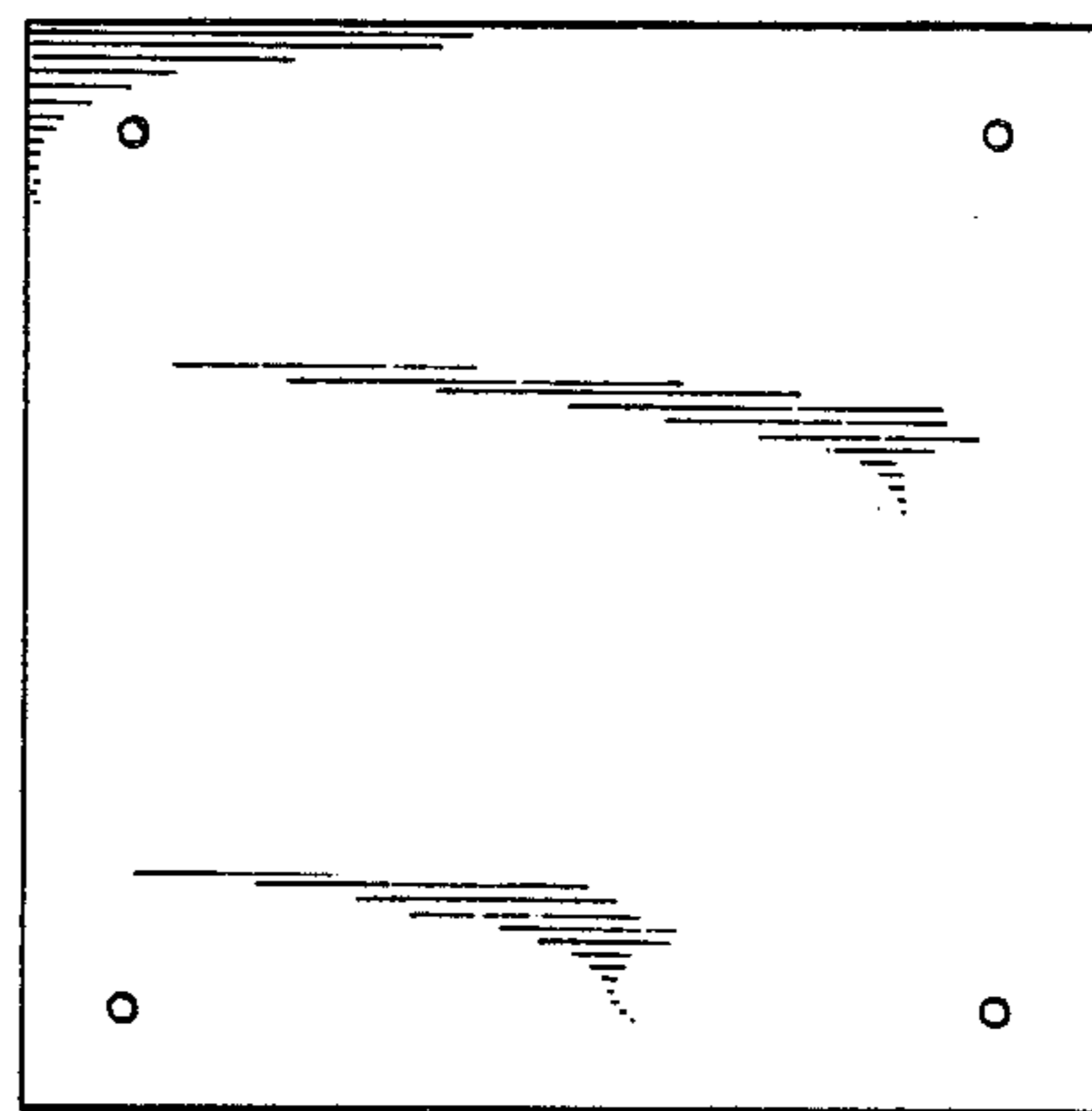


FIG. 4

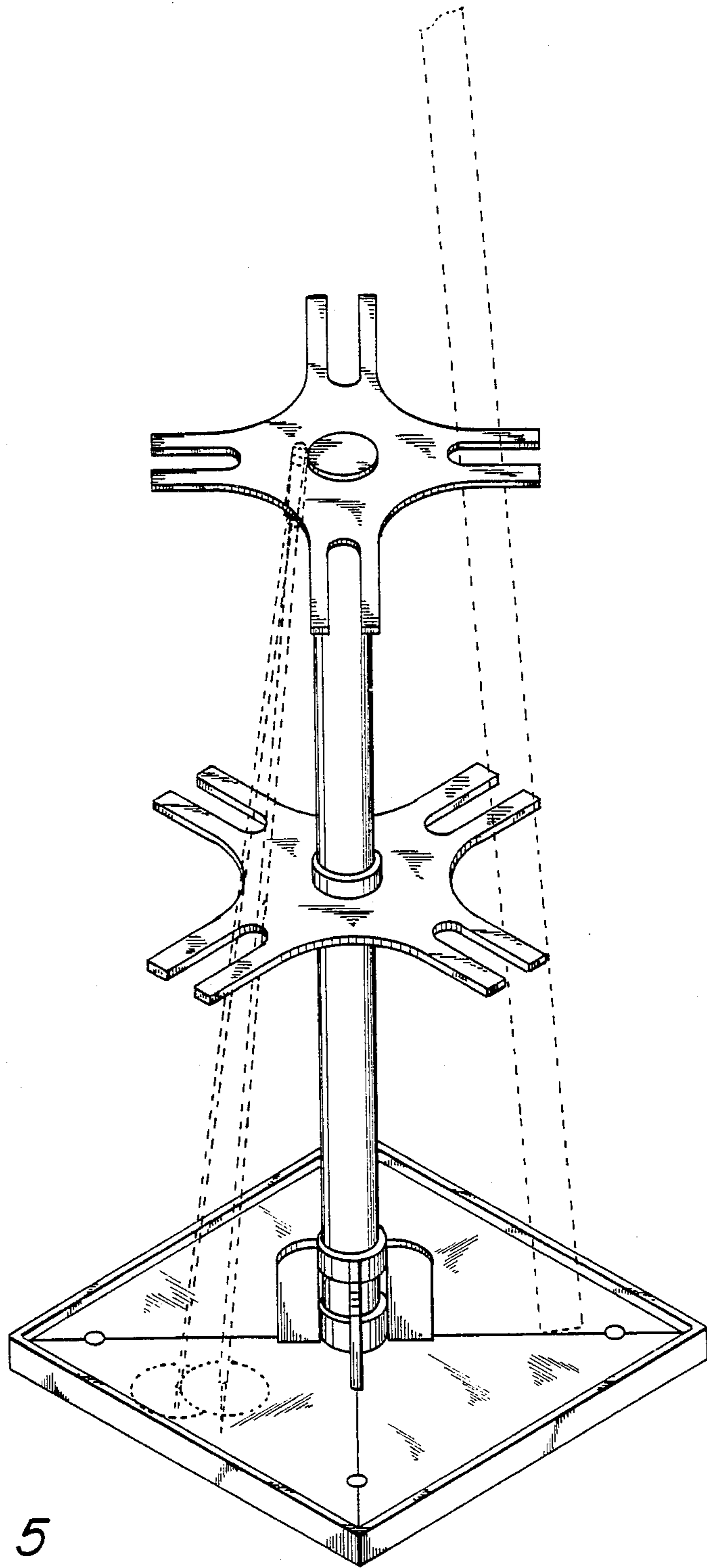


FIG. 5