

[54] ADJUSTABLE TABLE

[75] Inventor: Lester Beall, Jr., Denver, N.C.

[73] Assignee: CM Furniture Co., Maiden, N.C.

[**] Term: 14 Years

[21] Appl. No.: 779,574

[22] Filed: Sep. 24, 1985

[52] U.S. Cl. D6/430; D6/478; D6/484

[58] Field of Search D6/429, 430, 477, 478, D6/480, 484, 487; 108/59, 64, 65, 66, 83

[56] References Cited

U.S. PATENT DOCUMENTS

D. 254,825	4/1980	Crespi	D6/474
D. 274,577	7/1984	Berry, Jr.	D6/474
D. 284,339	6/1986	Berry, Jr.	D6/484 X
D. 284,340	6/1986	Berry, Jr.	D6/484 X
D. 284,431	7/1986	Berry, Jr.	D6/484 X
D. 285,267	8/1986	Berry, Jr.	D6/430
D. 288,637	3/1987	Winzeler, III	D6/487 X

OTHER PUBLICATIONS

Design Institute of America, ©1983, Table Sect., Table No. 303-B, Pivot Top Table.

Design Institute of America, ©1983, Table Sect., Table No. 315-B21, Chairside Pivot Table.

Design Institute of America, ©1983, Table Sect., Table No. 302-C, Pivot Top Cocktail Table.

Primary Examiner—Bruce W. Dunkins

Attorney, Agent, or Firm—Lane & Aitken

[57] CLAIM

The ornamental design for an adjustable table, as shown and described.

DESCRIPTION

FIG. 1 is a perspective view of an adjustable table showing my design;

FIG. 2 is a top plan view thereof;

FIG. 3 is a perspective view of the table of FIG. 1 shown in an alternate position;

FIG. 4 is a perspective view of the table of FIG. 1 wherein same is shown in a third alternate position; and

FIG. 5 is a perspective view of the table of FIG. 1 wherein same is shown in a fourth alternate position.

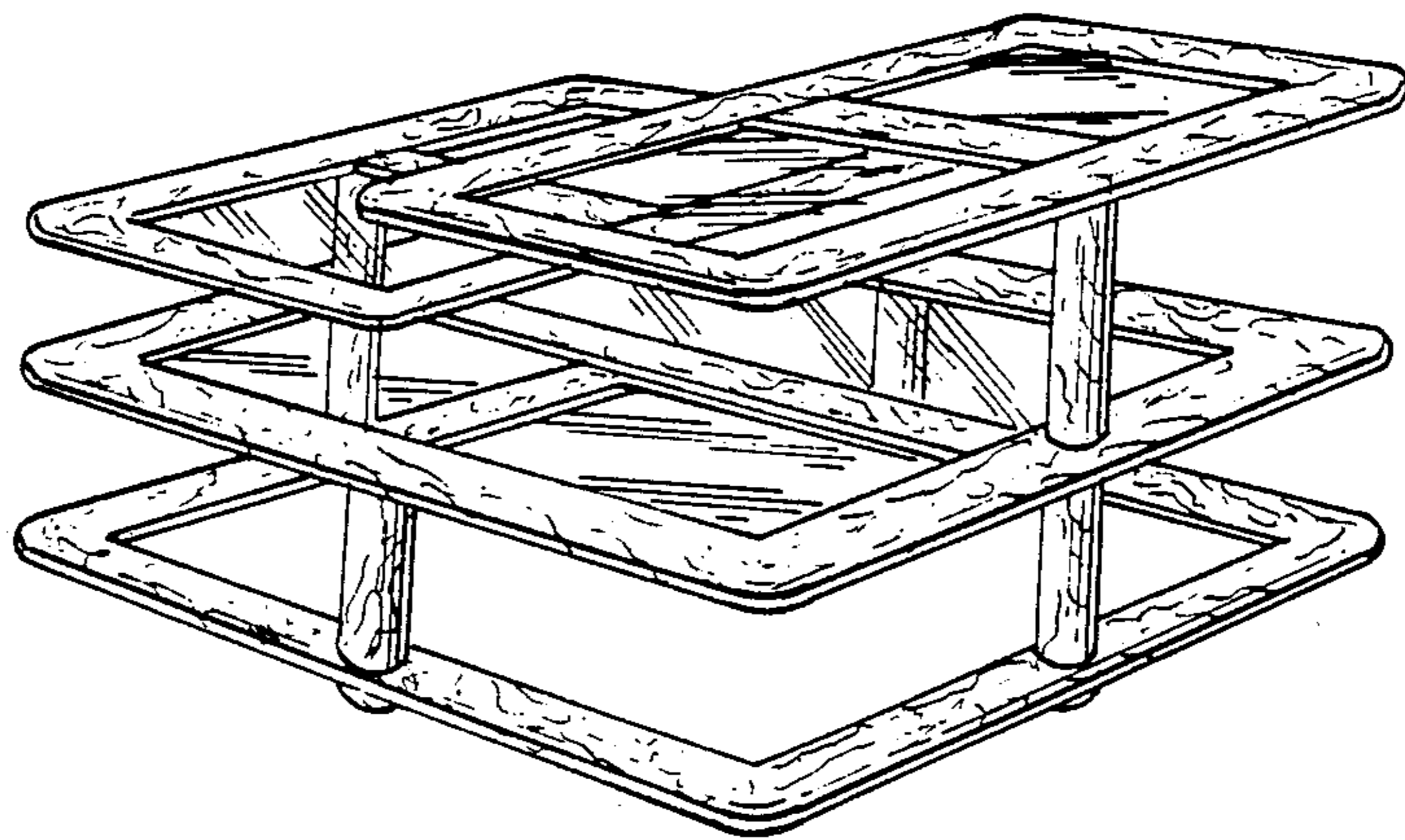


FIG. 1.

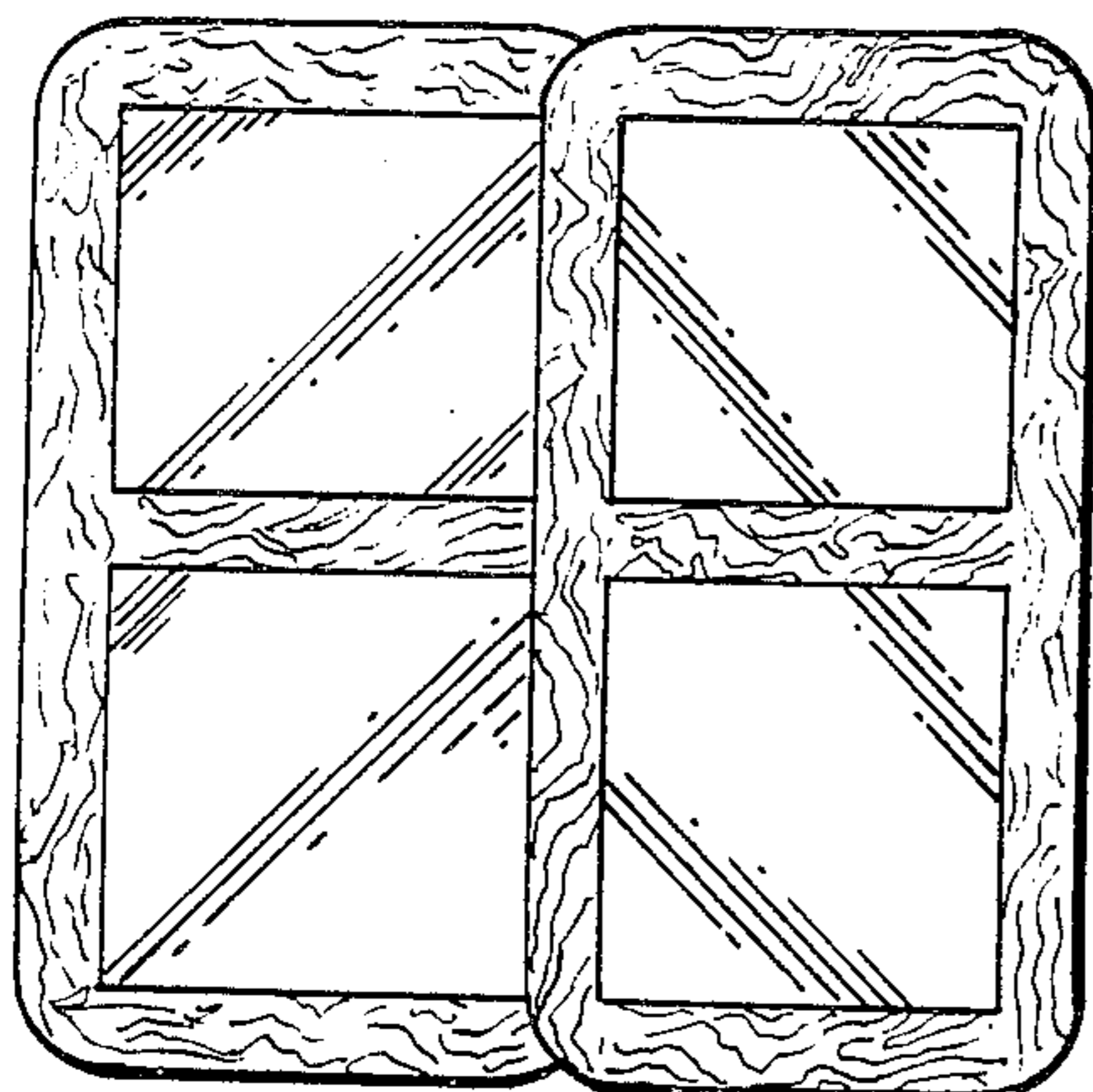
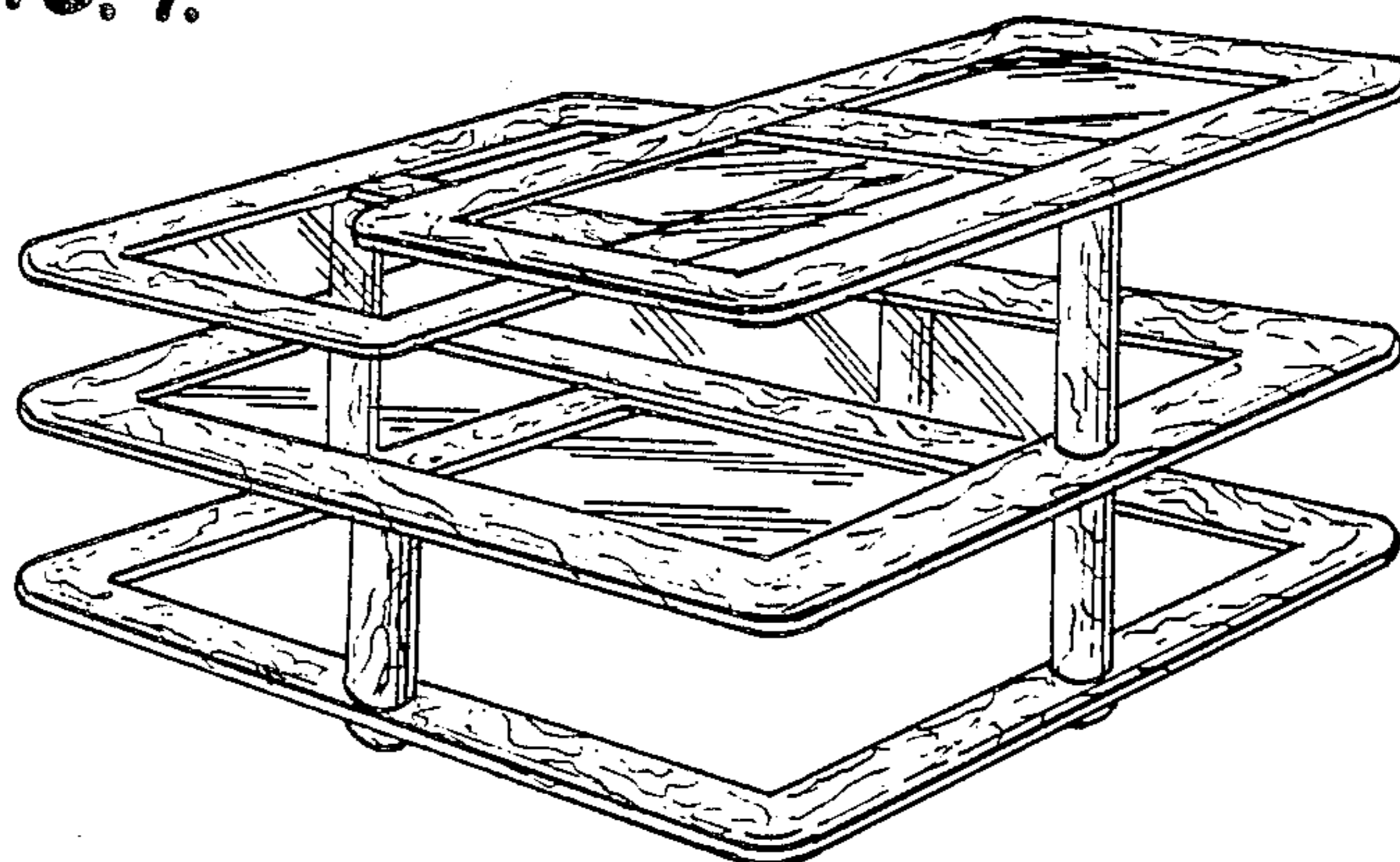


FIG. 2.

FIG. 3.

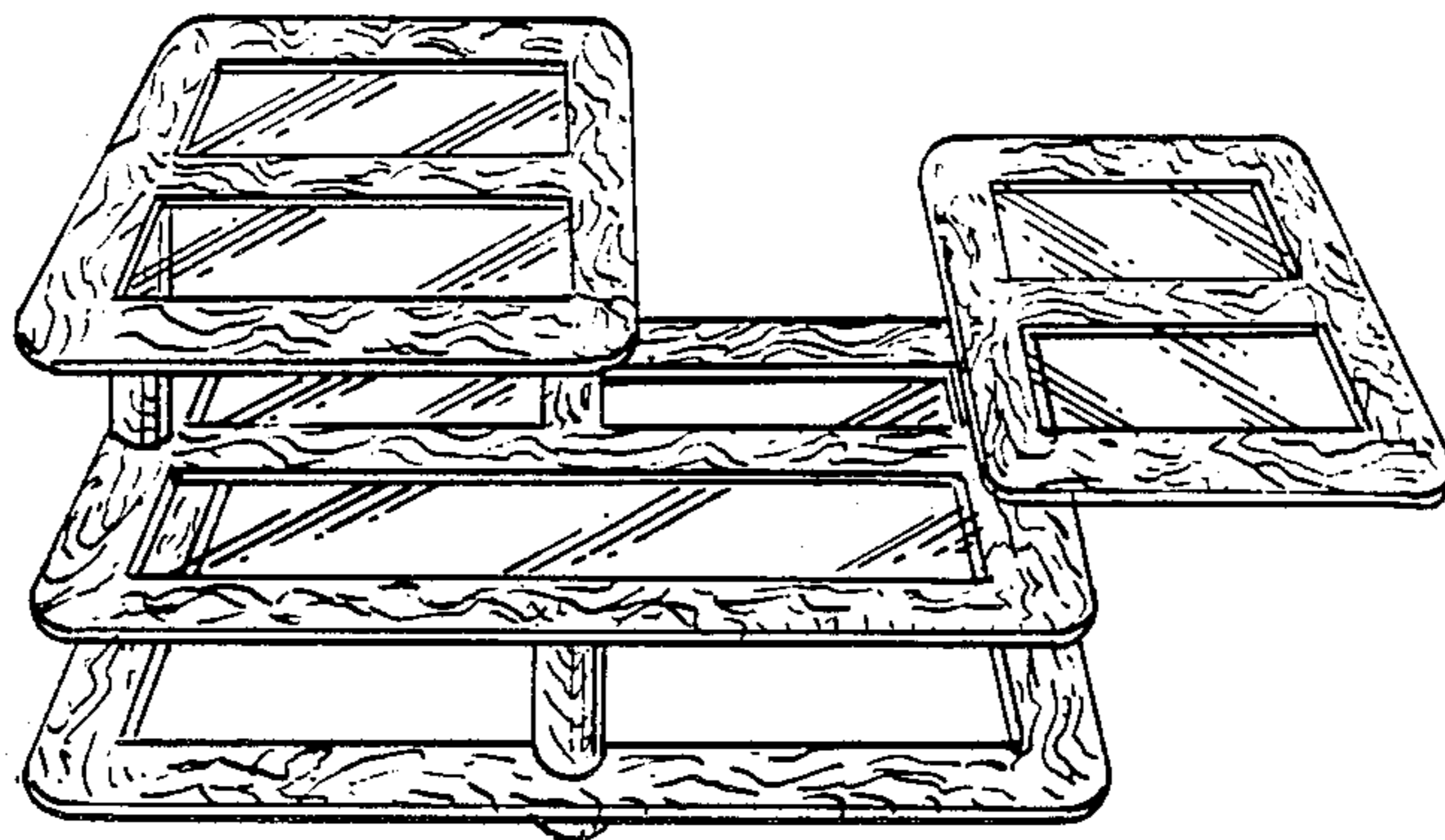


FIG. 4.

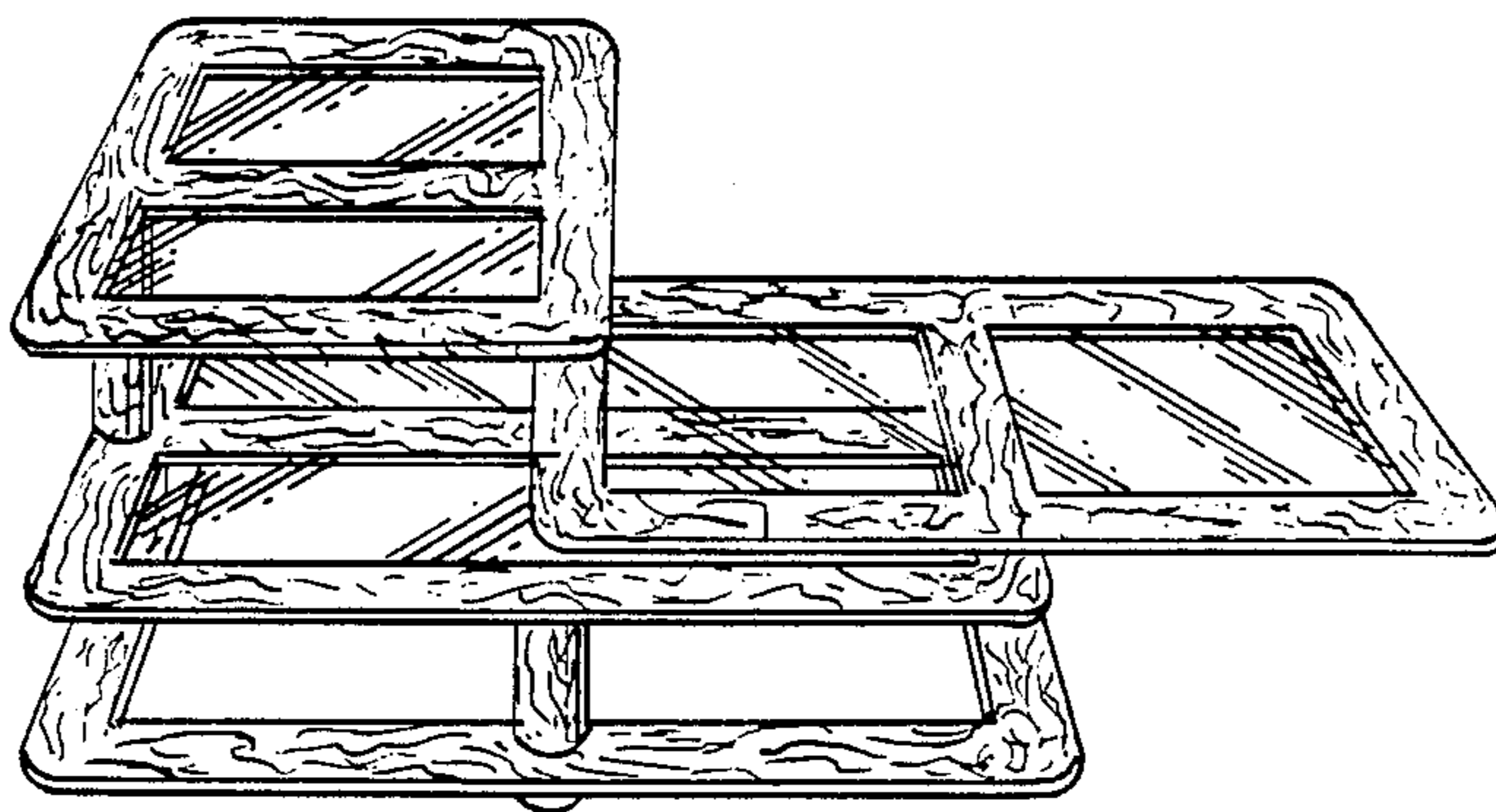


FIG. 5.

