

- [54] FOLDABLE TABLE, BOOK REST AND LIGHT COMBINATION
- [76] Inventor: Wilma Walker, 3707 Company St.,
College Station, Ark. 72053
- [**] Term: 14 Years
- [21] Appl. No.: 787,478
- [22] Filed: Oct. 15, 1985
- [52] U.S. Cl. D6/399; D6/406;
D6/419; D6/420; D6/429; D6/431
- [58] Field of Search D6/397, 399, 429, 431,
D6/406, 419, 420; 248/455, 456, 453, 444.1;
108/5, 6, 136, 144, 149, 150; 312/194-196

2,173,379	9/1939	Smith	248/456
2,579,740	12/1951	Hiemenz	248/456
2,678,858	5/1954	Davis	108/6 X
3,644,629	5/1972	Reed	248/454 X
4,021,013	5/1977	Wiersma	248/453

OTHER PUBLICATIONS

The Gift and Art Buyer, Dec. 1947, p. 135; Bed Tray with light; top left on page.

Primary Examiner—Carmen H. Vales
Attorney, Agent, or Firm—W. C. Tupman

[57] CLAIM

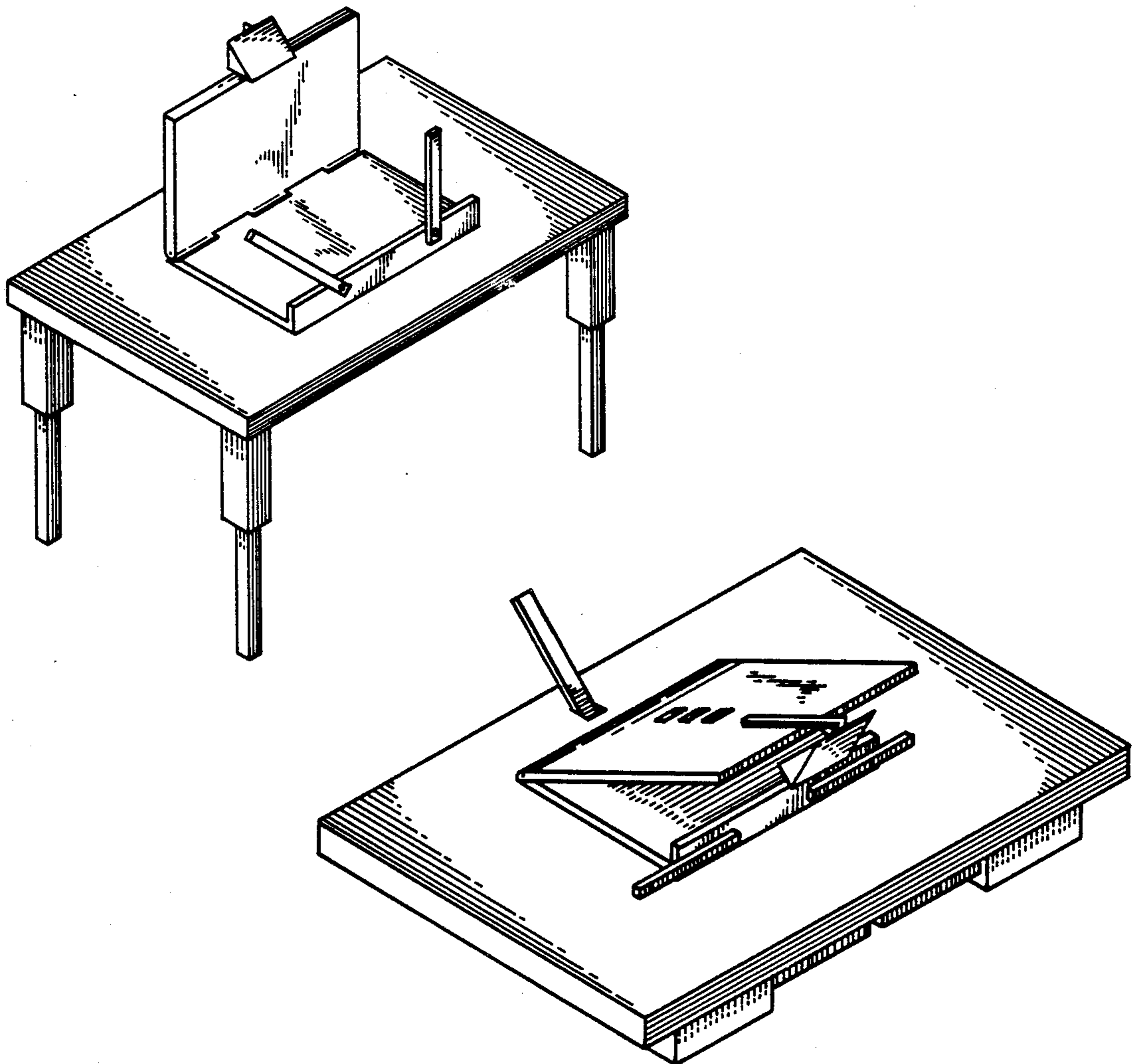
The ornamental design for a foldable table, book rest and light combination, substantially as shown and described.

[56] References Cited
U.S. PATENT DOCUMENTS

D. 118,484	1/1940	Salomon	D6/419 X
D. 212,541	10/1968	Taylor	D6/399
D. 235,376	6/1975	Peets	D6/431 X
D. 237,334	10/1975	Garofalo, Jr.	D6/419
D. 285,392	9/1986	Thompson	D6/399
1,942,340	1/1934	Madden	248/456

DESCRIPTION

FIG. 1 is a perspective view of a foldable table, book rest and light combination showing my new design; FIG. 2 is a left side elevational view thereof; FIG. 3 is a front elevational view thereof; FIG. 4 is a top plan view thereof; and FIG. 5 is a top perspective view in folded condition.



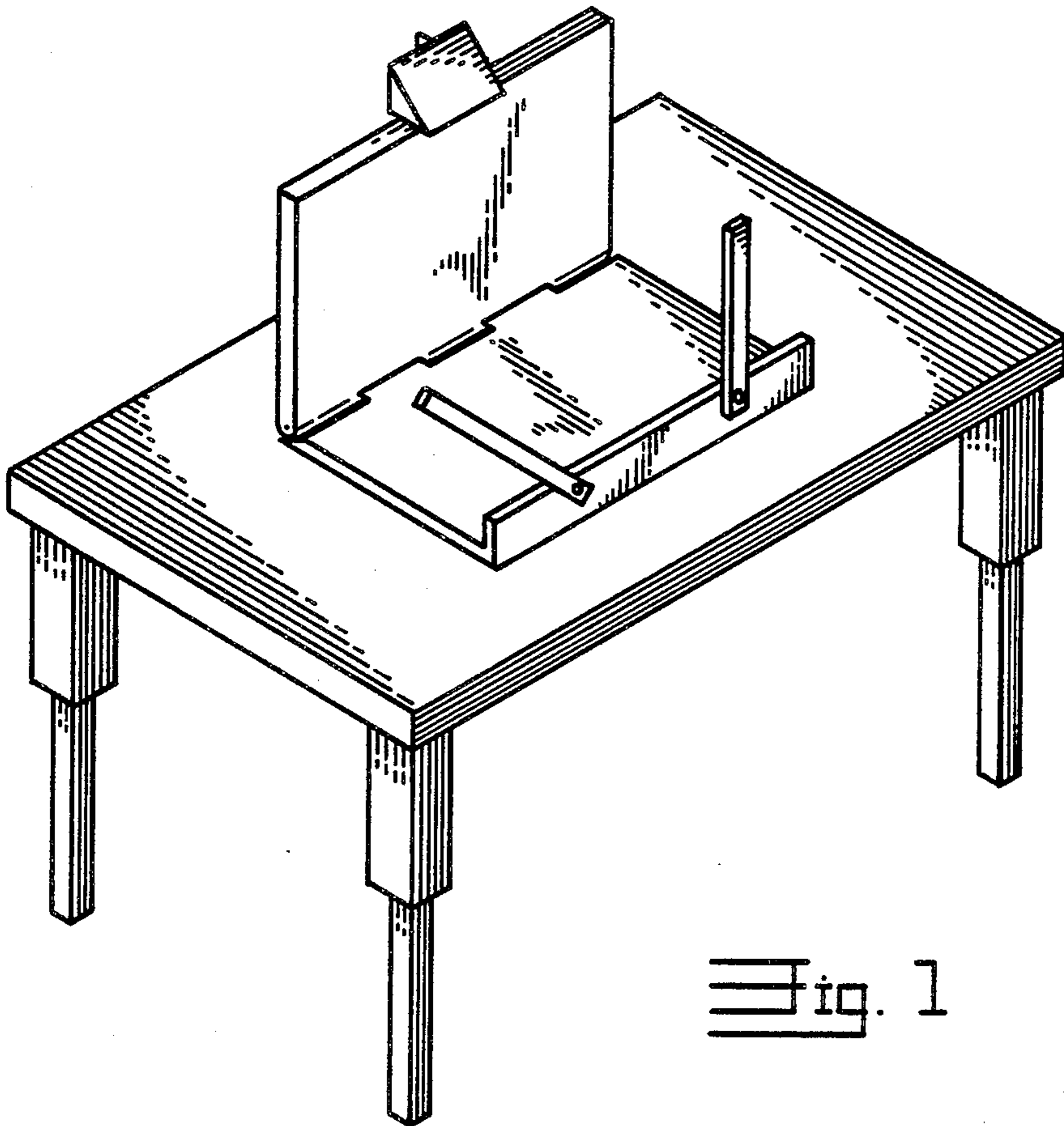


Fig. 1

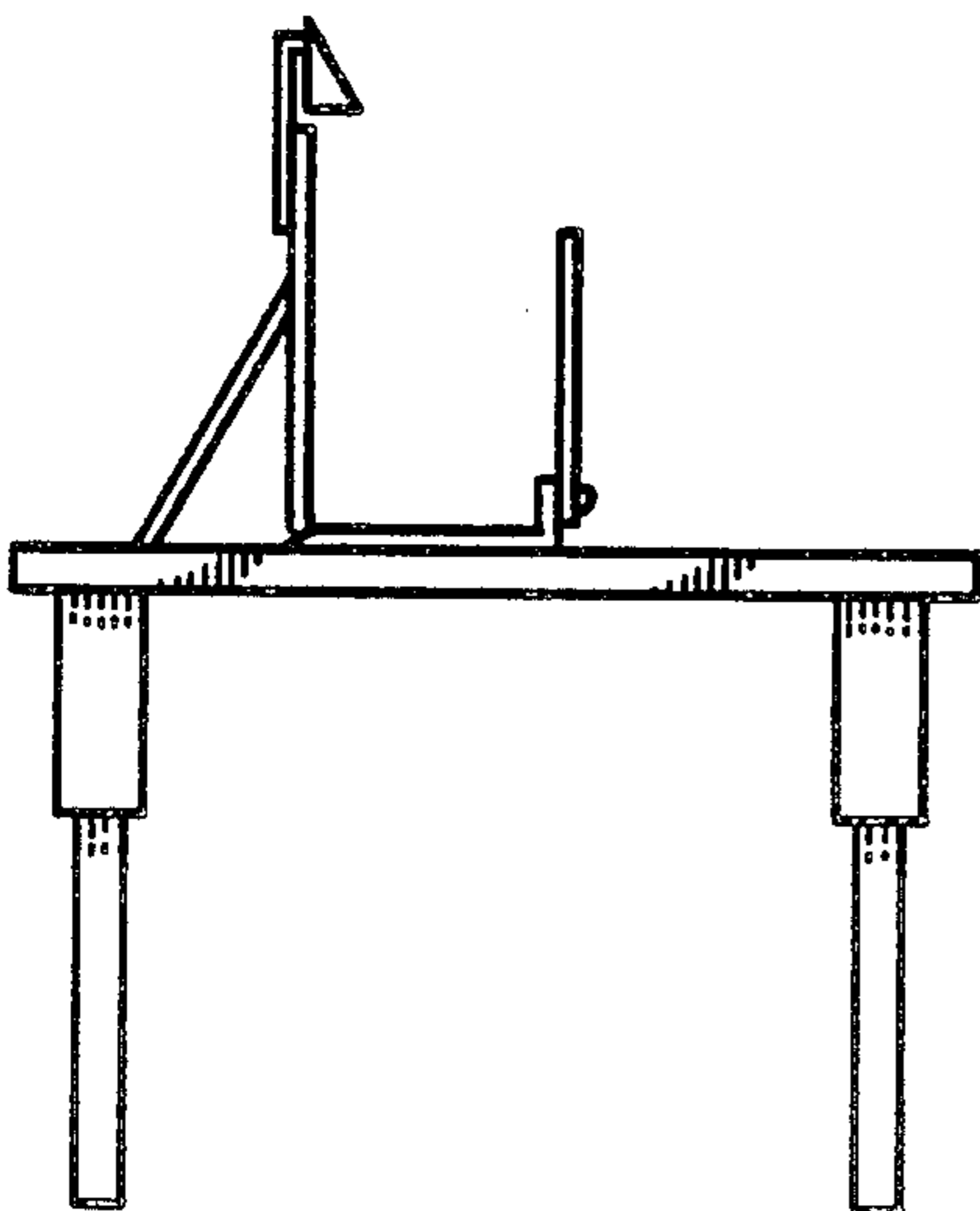


Fig. 2

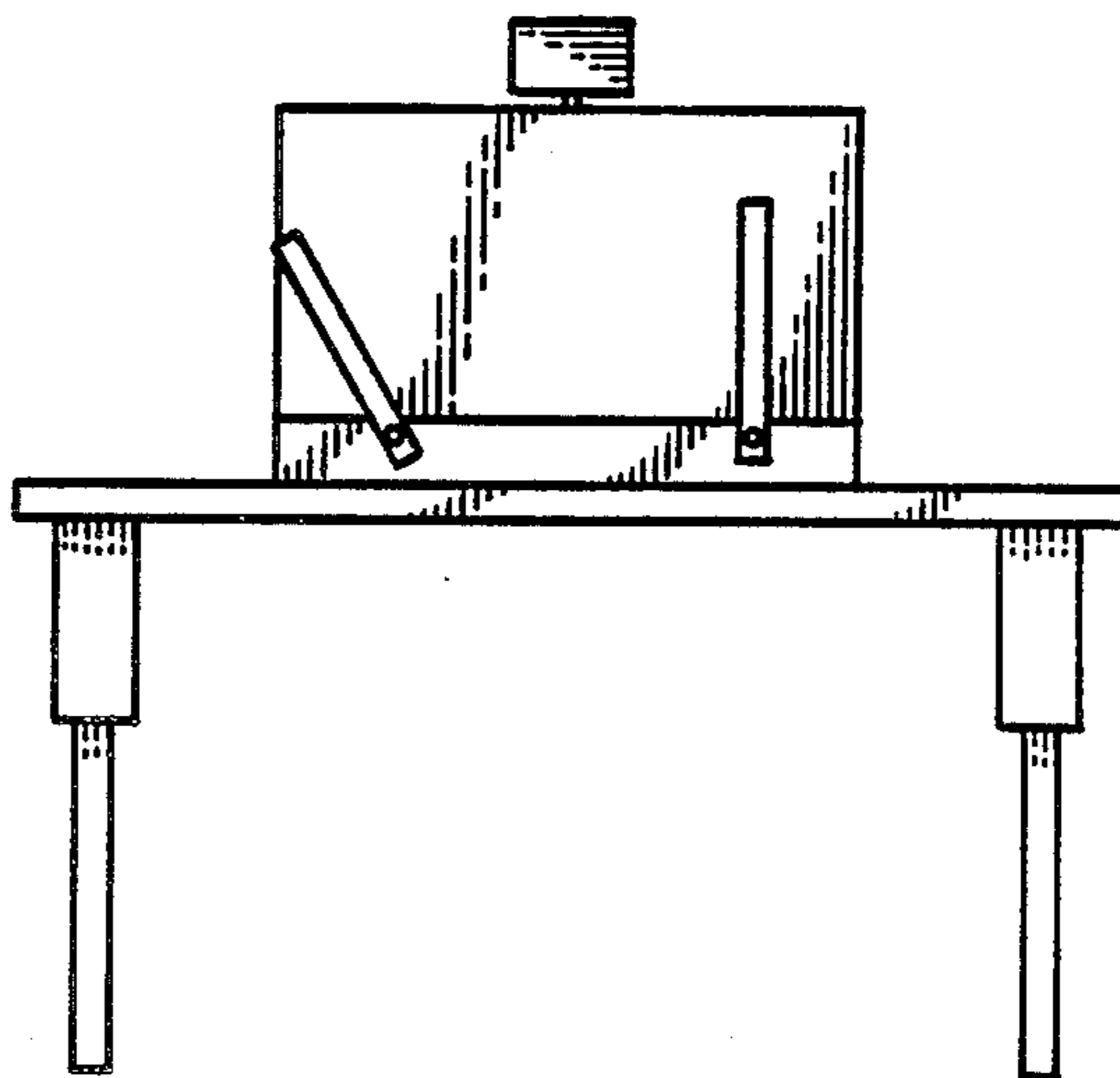


Fig. 3

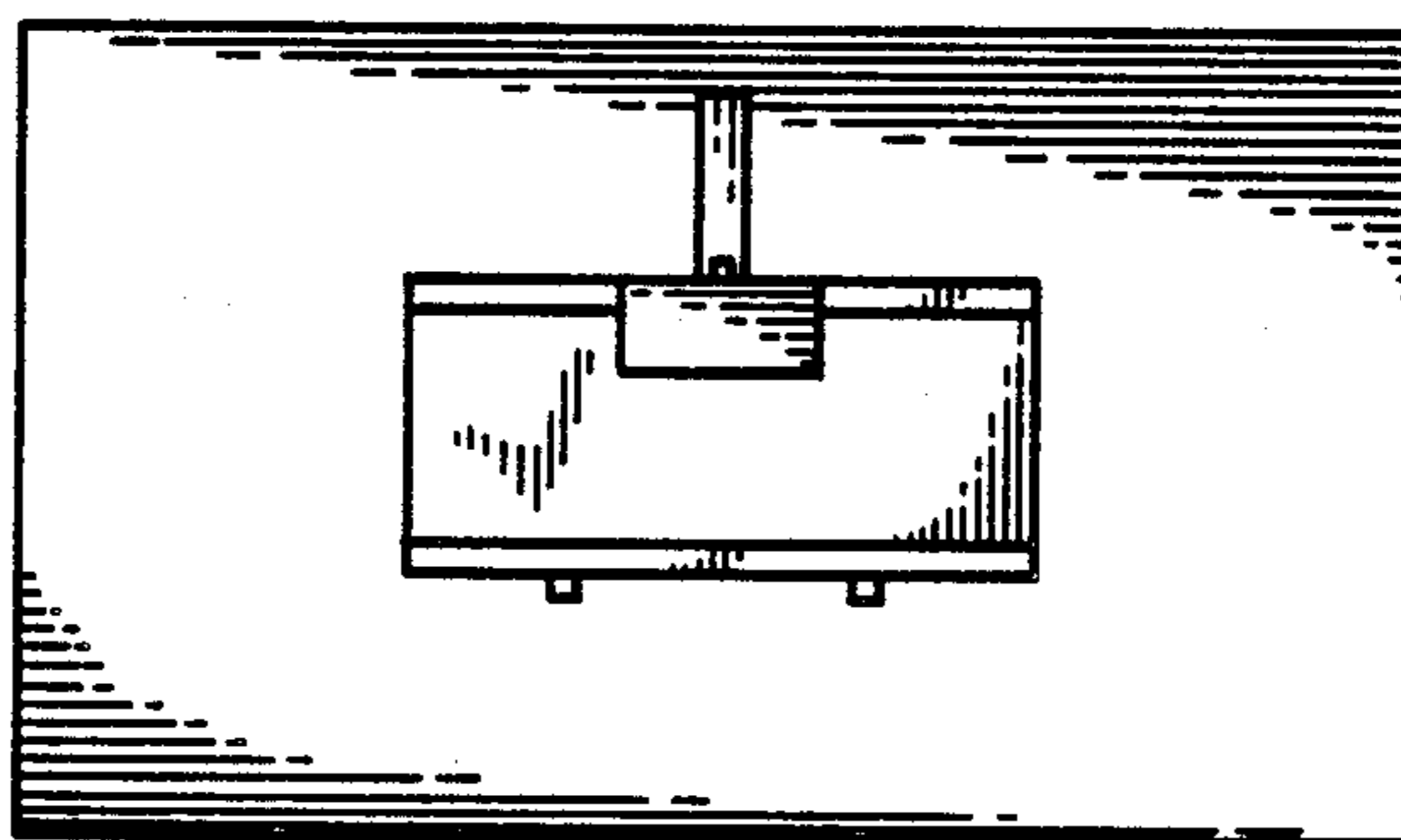


Fig. 4

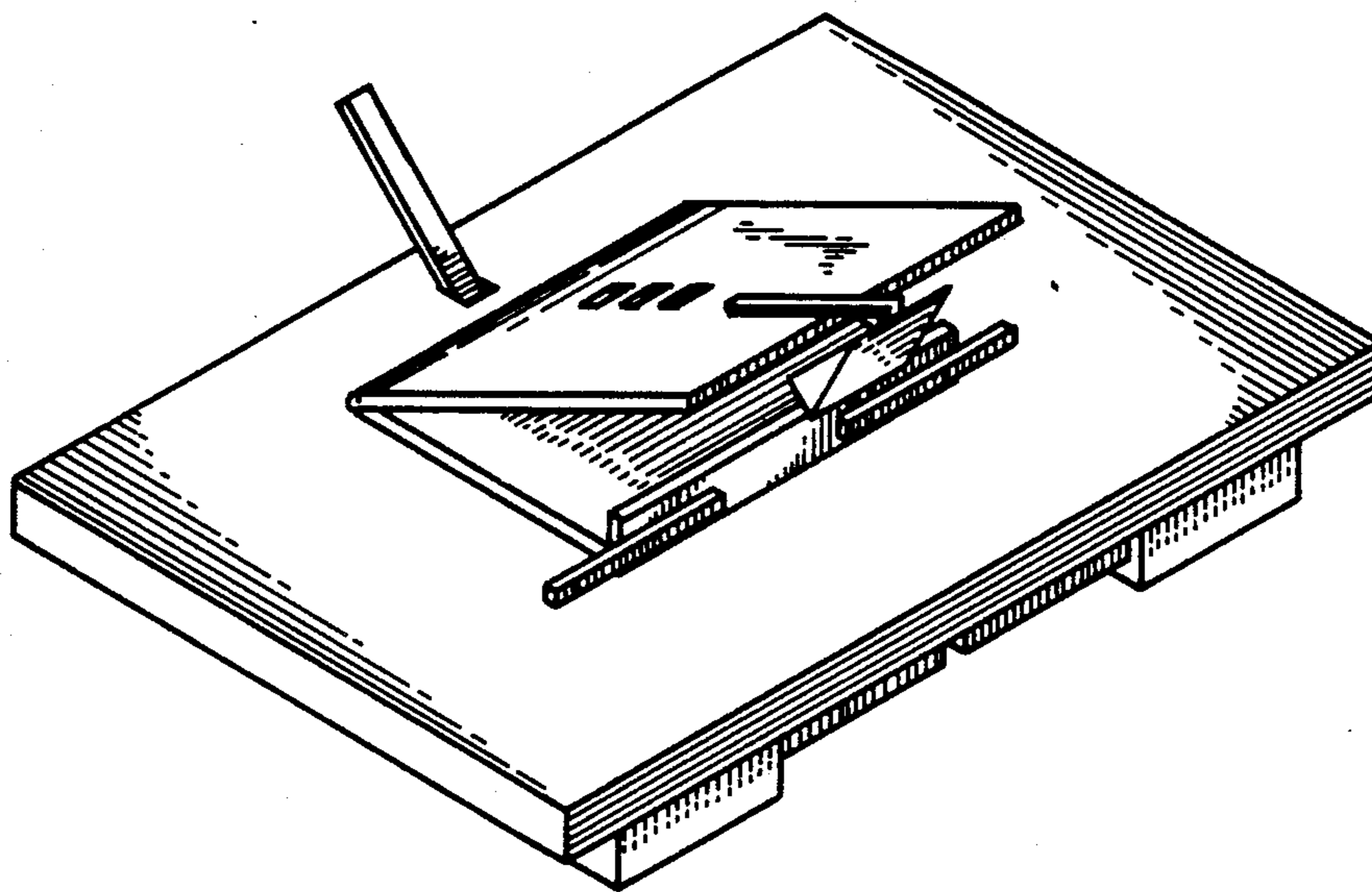


Fig. 5