

[54] LOUNGE CHAIR FRAME OR SIMILAR ARTICLE

[75] Inventor: Marks M. Conn, Moorpark, Calif.

[73] Assignee: Mallin Company, Los Angeles, Calif.

[**] Term: 14 Years

[21] Appl. No.: 805,136

[22] Filed: Nov. 14, 1985

[52] U.S. Cl. D6/361

[58] Field of Search D6/334, 360, 361, 367, D6/368; 297/21, 271, 423, 441, 325

[56] References Cited

U.S. PATENT DOCUMENTS

- D. 208,698 9/1967 Ellsworth et al. D6/361
- D. 279,335 6/1985 Frinier D6/361
- D. 280,276 8/1985 McKay D6/361 X
- D. 281,560 12/1985 Murry D6/361 X
- D. 283,088 3/1986 McKay D6/361
- D. 285,027 8/1986 McBride D6/361
- D. 285,628 9/1986 Zola D6/361

- D. 287,552 1/1987 Vandeminden D6/361
- D. 291,749 9/1987 Conn D6/361
- 4,066,293 1/1978 Meier 297/325
- 4,234,226 11/1980 Colby 297/21

Primary Examiner—Bruce W. Dunkins
Attorney, Agent, or Firm—Spensley Horn Jubas & Lubitz

[57] CLAIM

The ornamental design for a lounge chair frame or similar article, as shown.

DESCRIPTION

FIG. 1 is a perspective view illustrating a lounge chair frame or similar article of my design;
FIG. 2 is a front elevation view thereof;
FIG. 3 is a side elevation view thereof;
FIG. 4 is a rear elevation view thereof;
FIG. 5 is a top view thereof;
FIG. 6 is a bottom view thereof;
FIG. 7 is a sectional view thereof taken along the plane 7—7 of FIG. 1 and looking in the direction of the arrows.

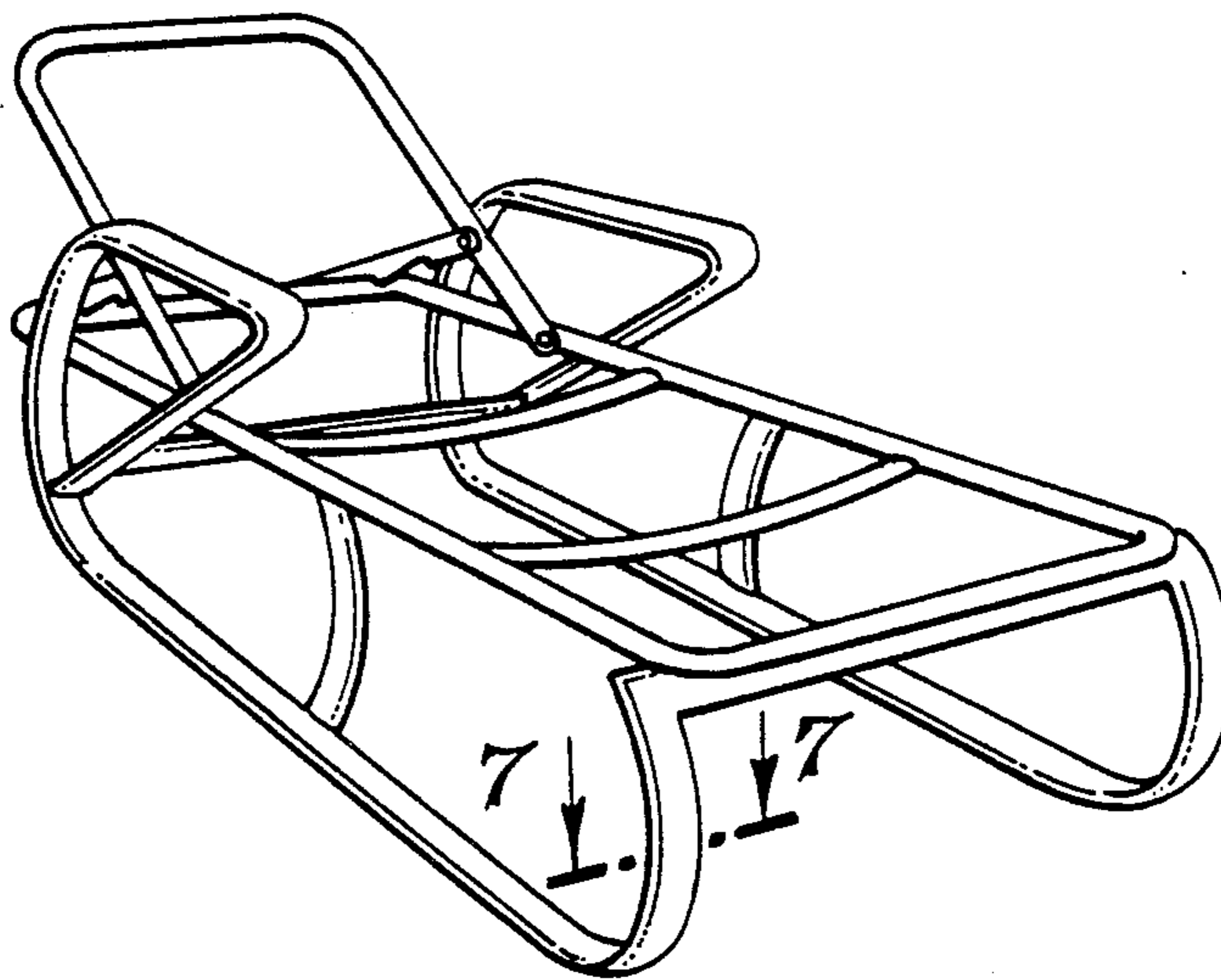


FIG. 1

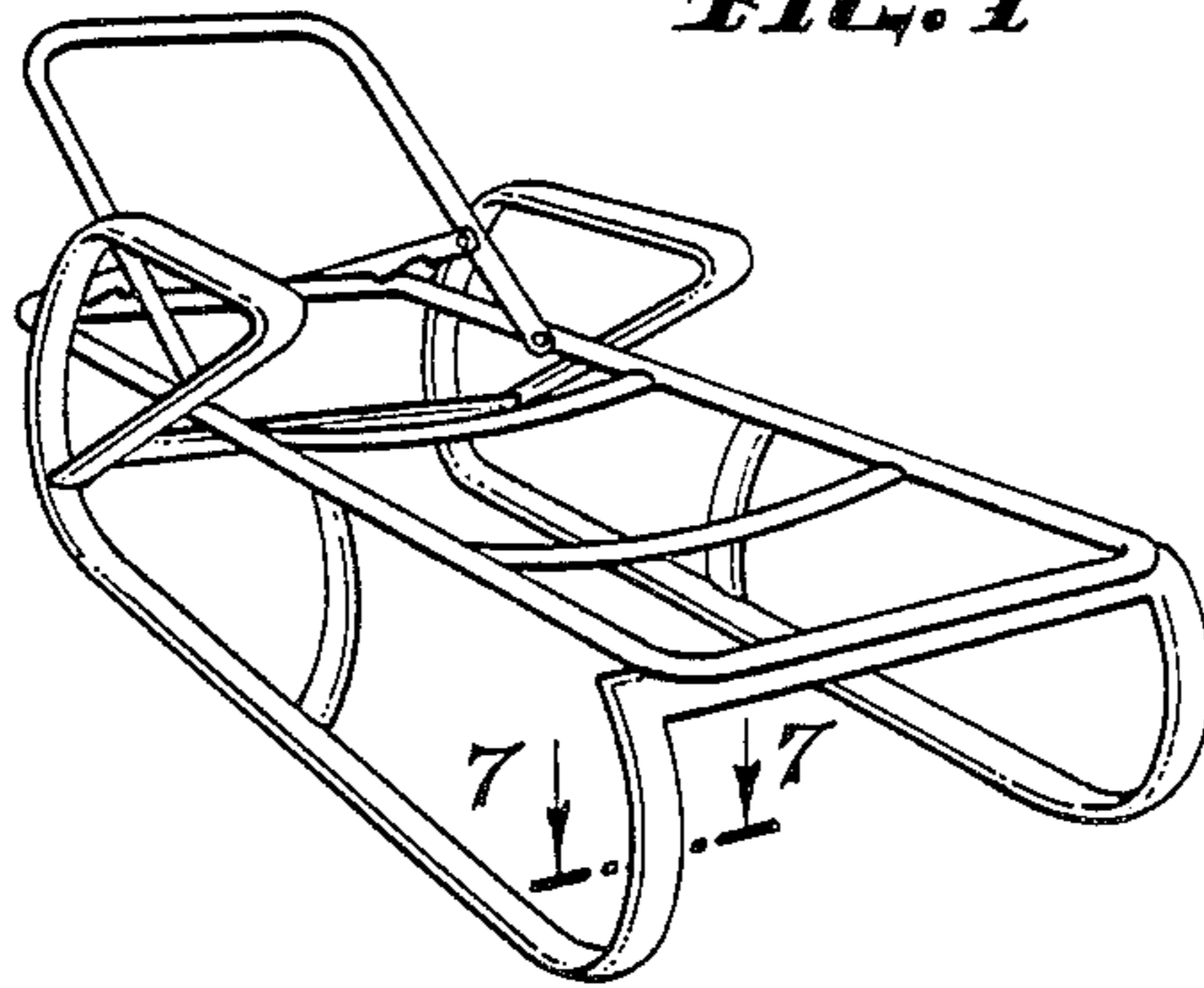


FIG. 2

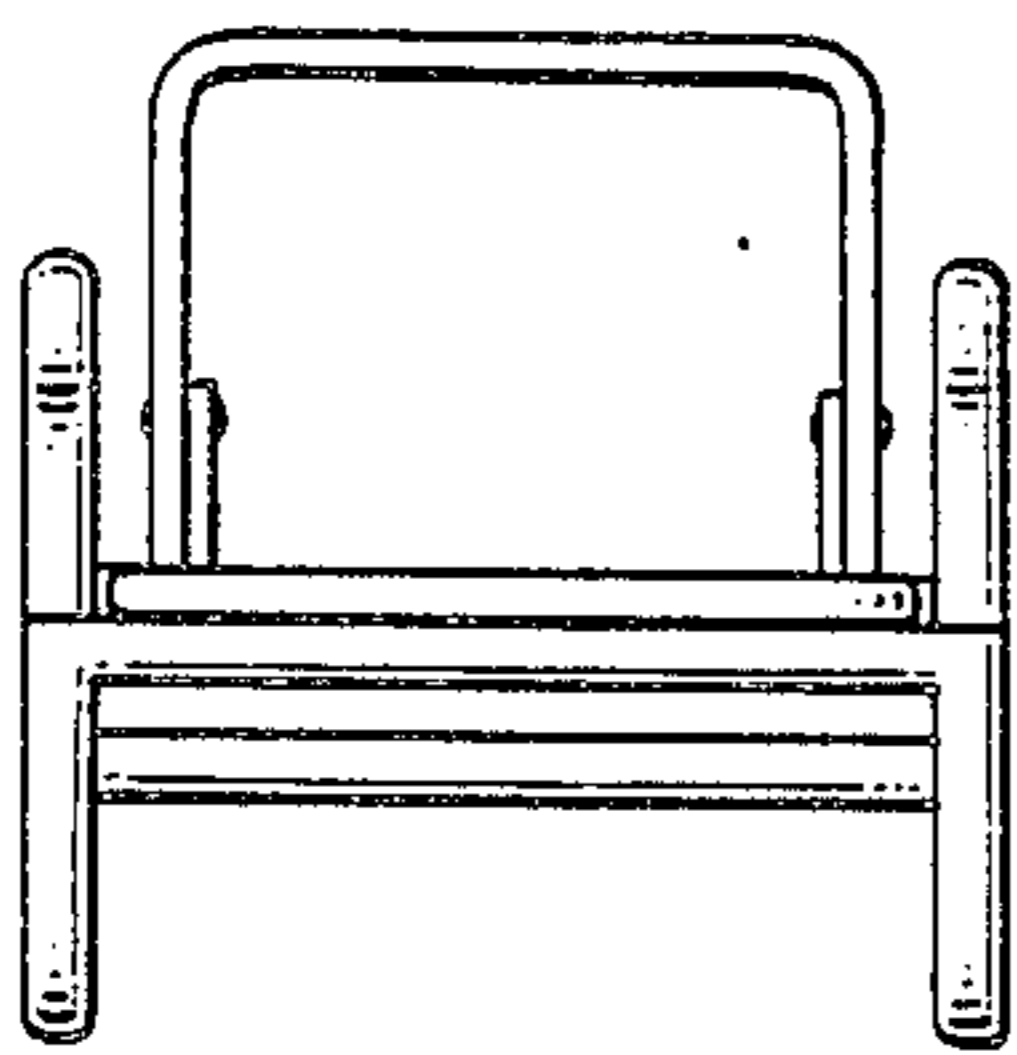


FIG. 3

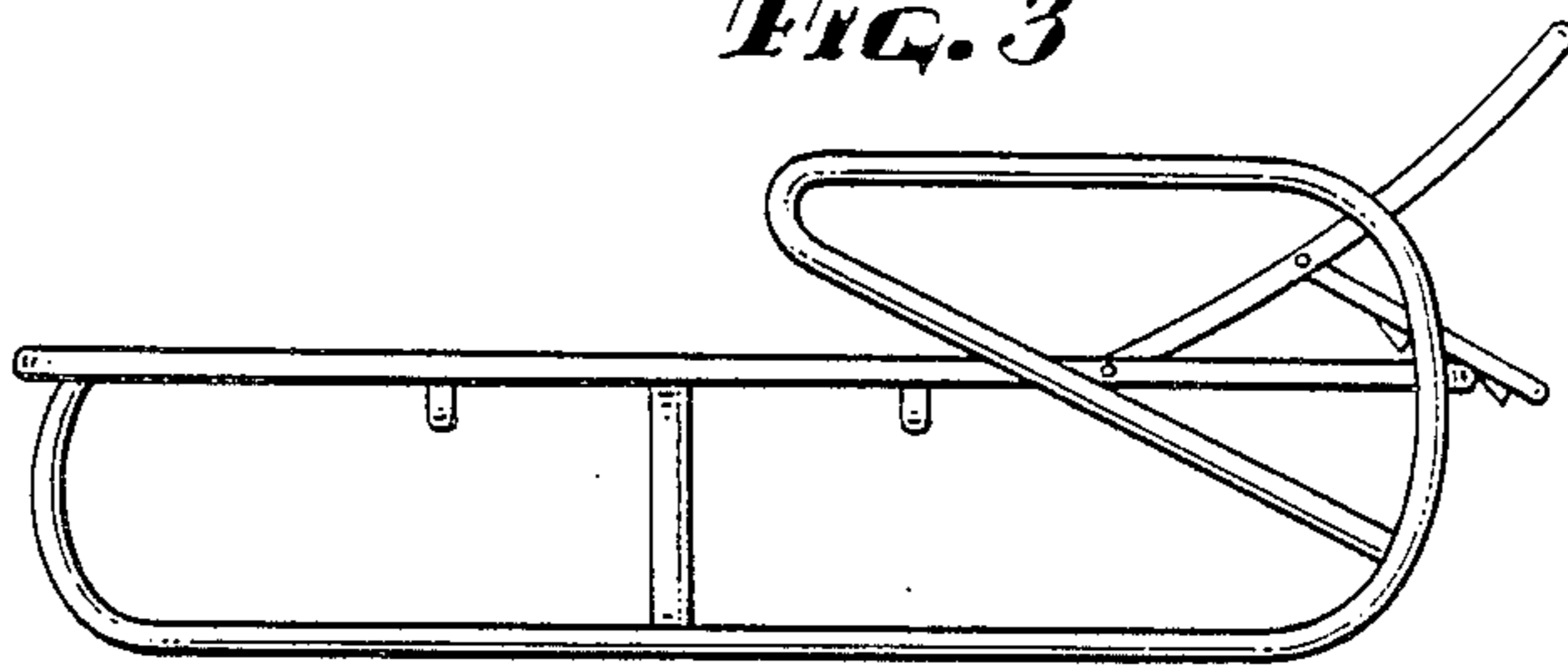


FIG. 4

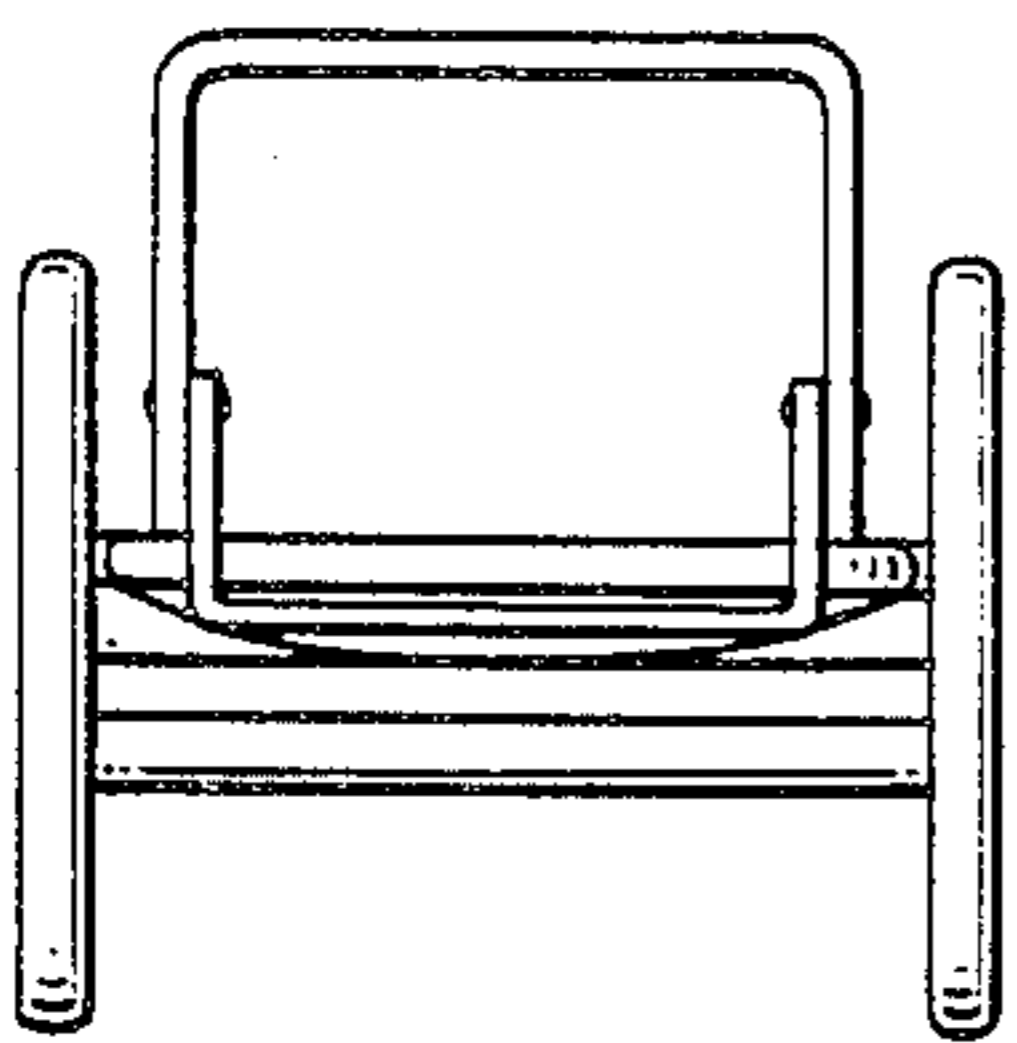


FIG. 5

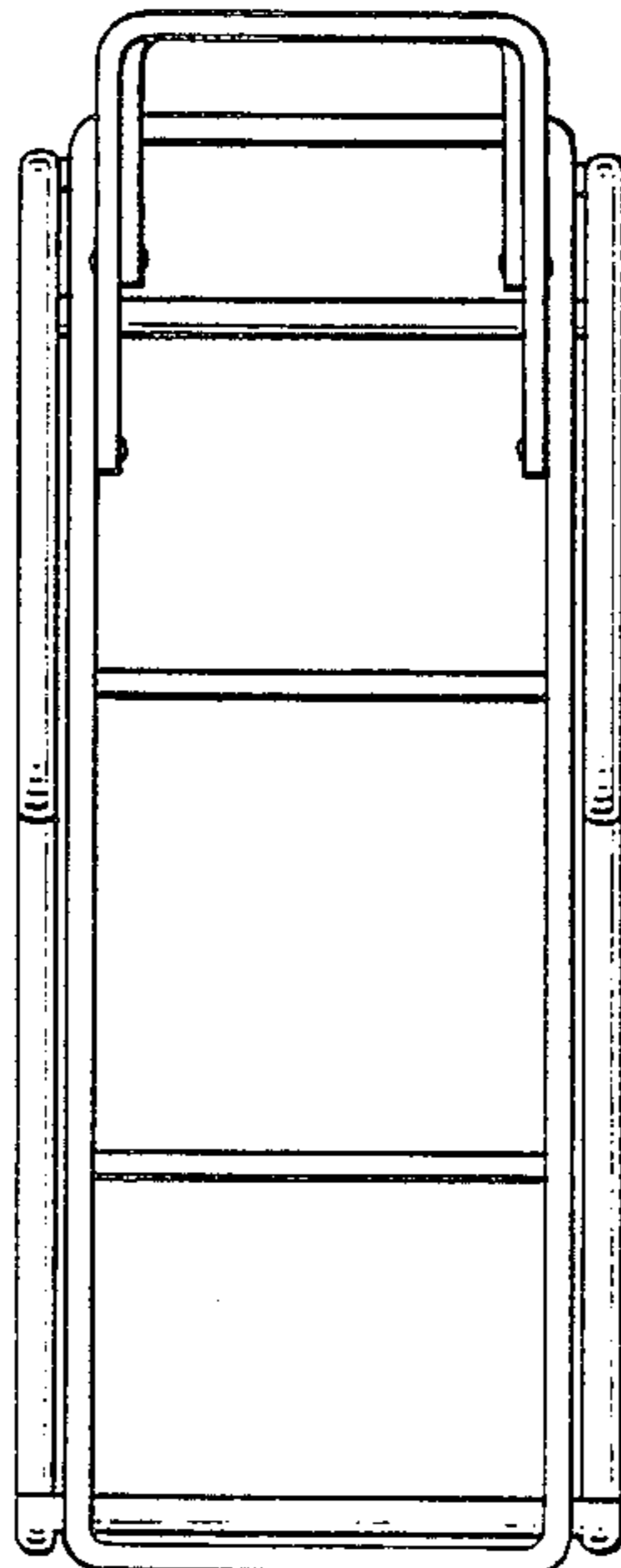


FIG. 6

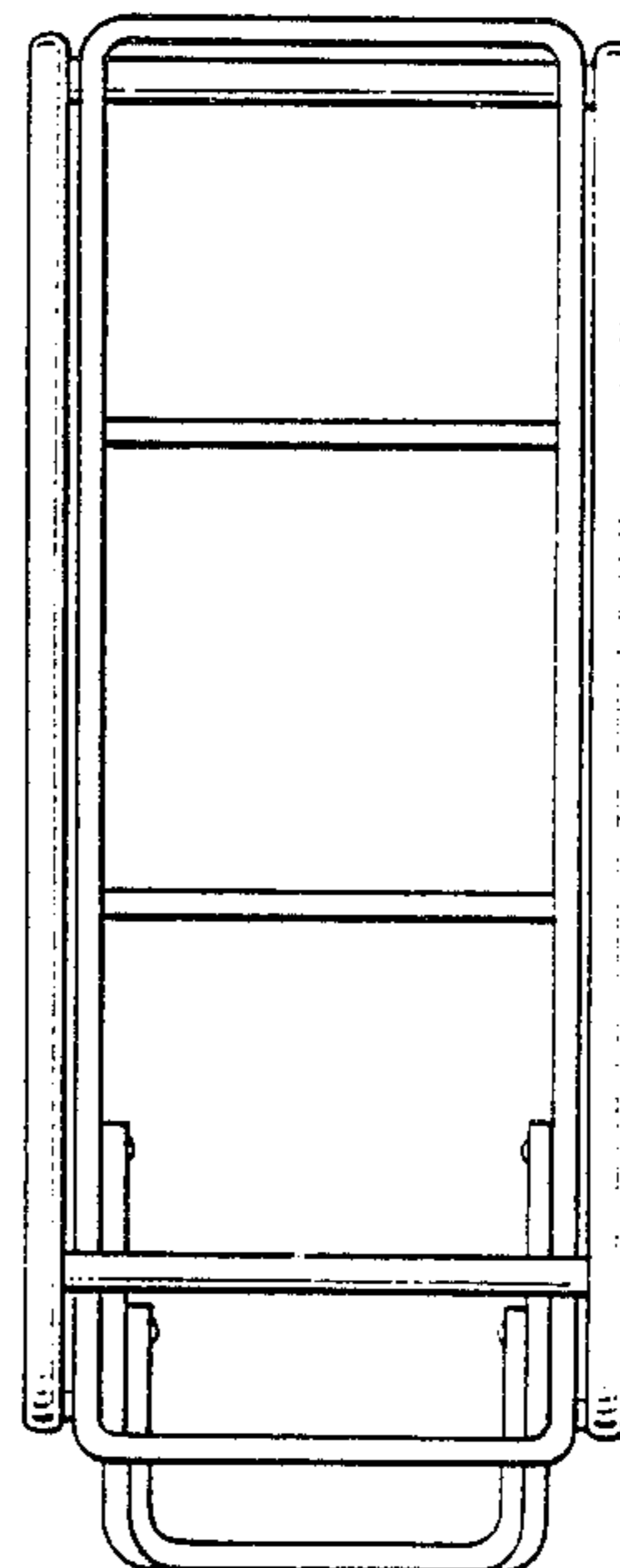


FIG. 7

