

[54] COMBINED BACKPACK AND SEAT

[76] Inventor: Timothy D. Thomas, R.R. 5, Box 391, Huron, S. Dak. 57350

[**] Term: 14 Years

[21] Appl. No.: 767,120

[22] Filed: Aug. 19, 1985

[52] U.S. Cl. D6/336

[58] Field of Search D6/333, 335, 336, 367, D6/368; D3/31, 32; 190/8; 224/155, 210, 213, 259, 261, 263

[56] References Cited

U.S. PATENT DOCUMENTS

- D. 274,581 7/1984 Gallock D6/336
- D. 275,622 9/1984 Pierce et al. D3/32

- D. 281,119 10/1985 Kalkus D6/336 X
- D. 284,910 8/1986 Handy D6/336
- 3,206,087 9/1965 Tyrrell D3/32 X
- 4,096,978 6/1978 Noice D3/32 X
- 4,286,739 9/1981 Silcott et al. D3/32 X

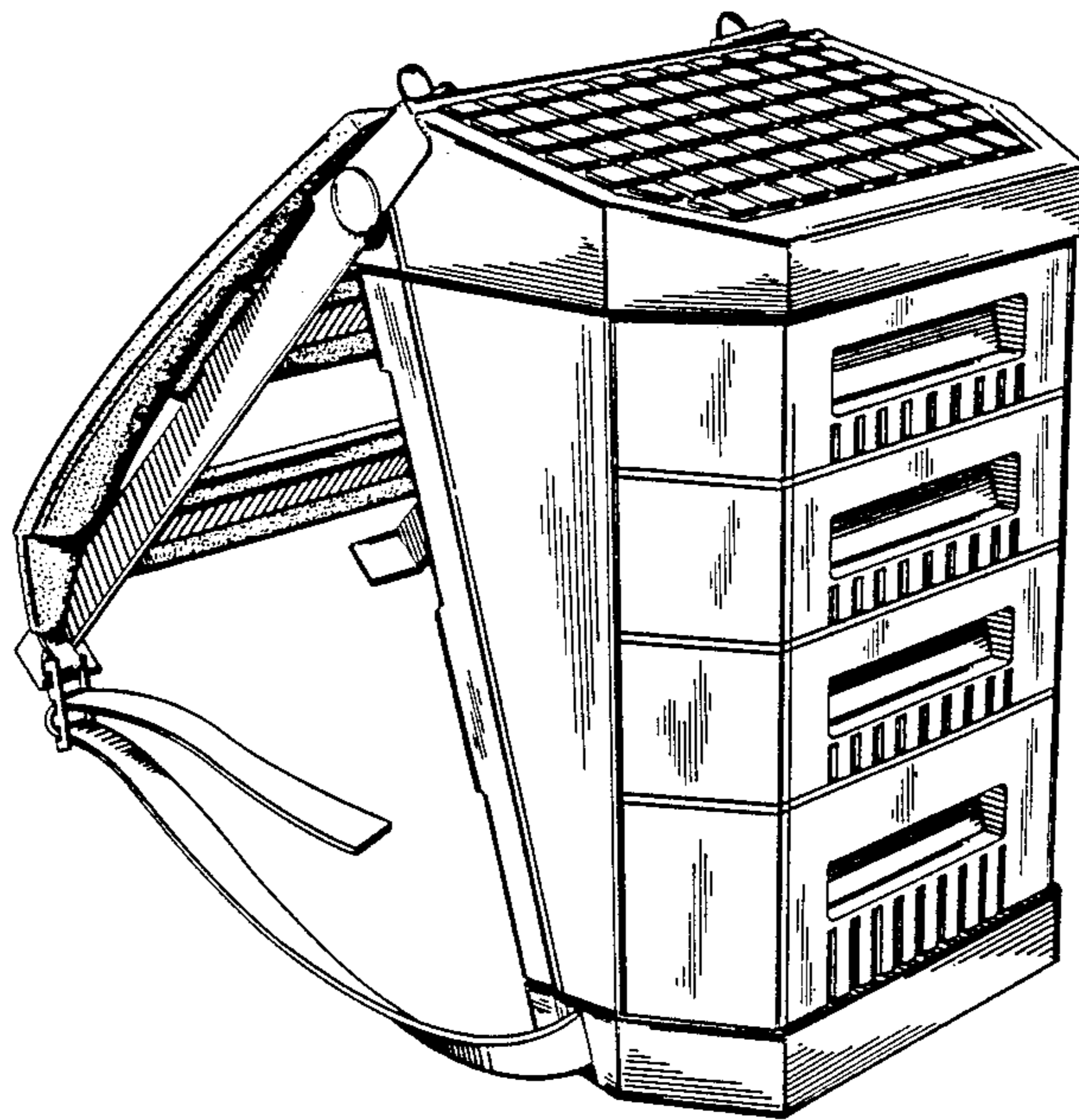
Primary Examiner—Bruce W. Dunkins

[57] CLAIM

The ornamental design for a combined backpack and seat, as shown.

DESCRIPTION

FIG. 1 is a frontal view of the backpack with the supports extended,
 FIG. 2 is a rear view of the backpack in a similar position to FIG. 1,
 FIG. 3 is a frontal view with the supports collapsed, and
 FIG. 4 is a top view showing the seat on top of the pack.



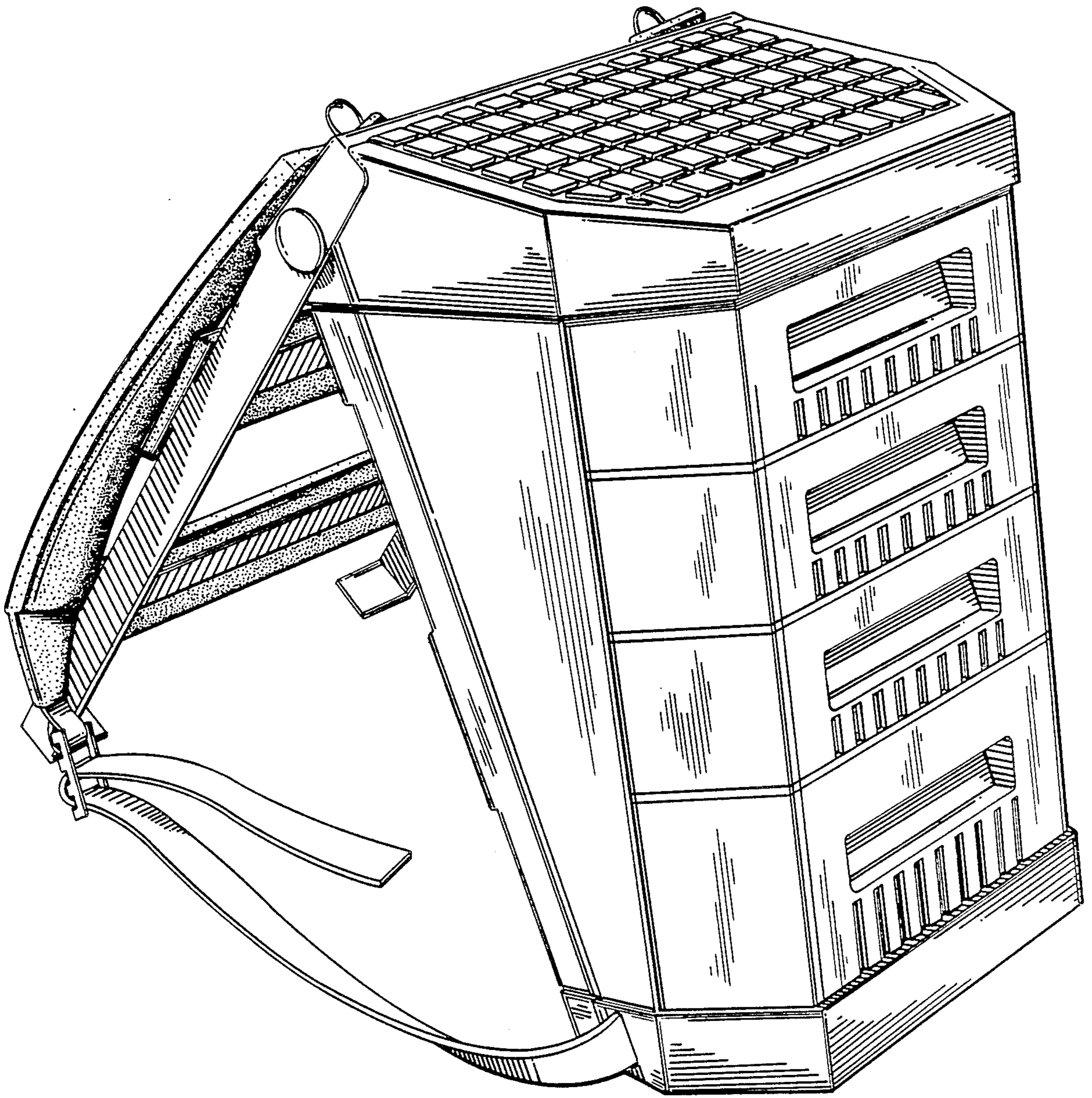


Fig. 1

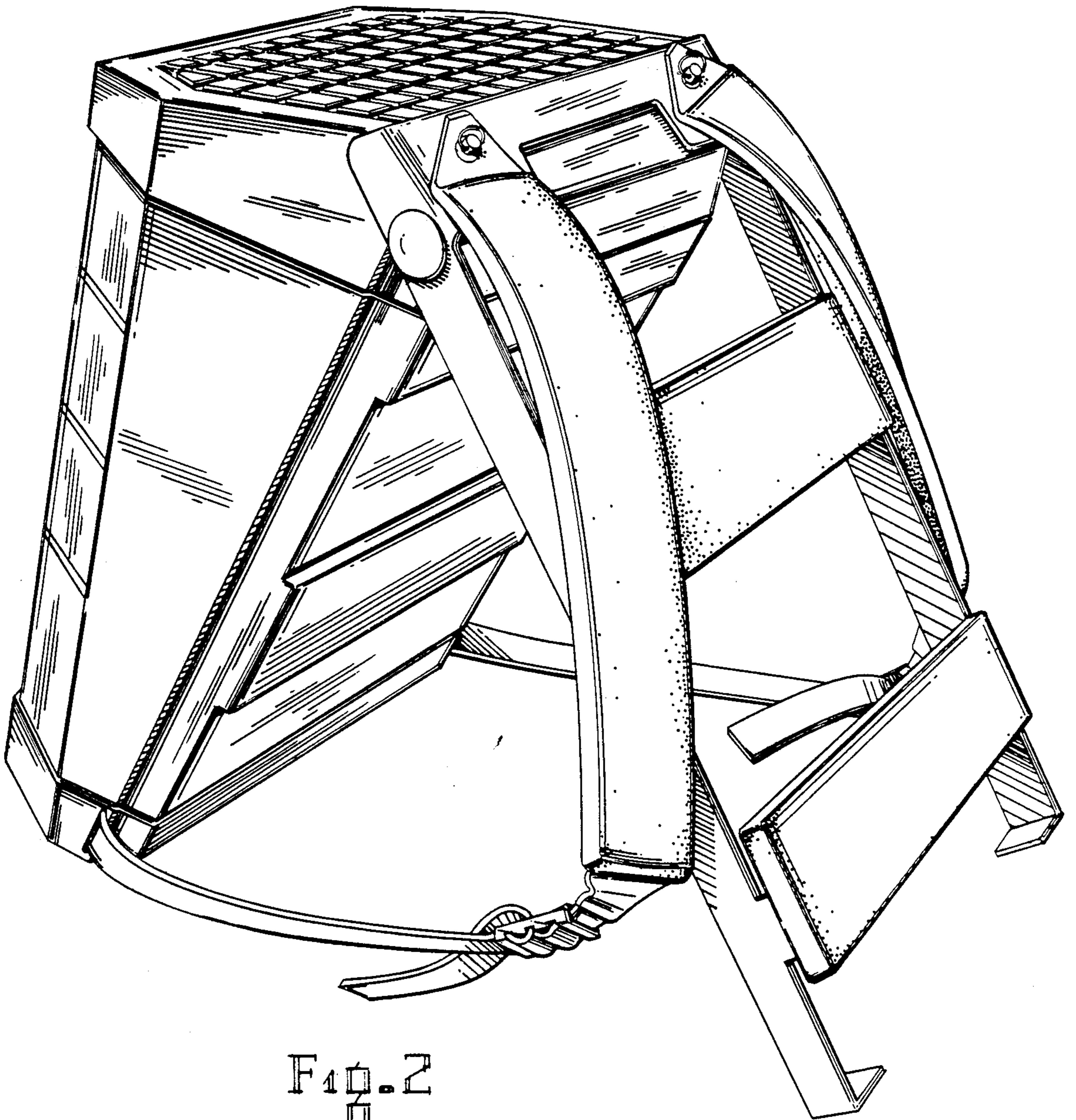


Fig. 2

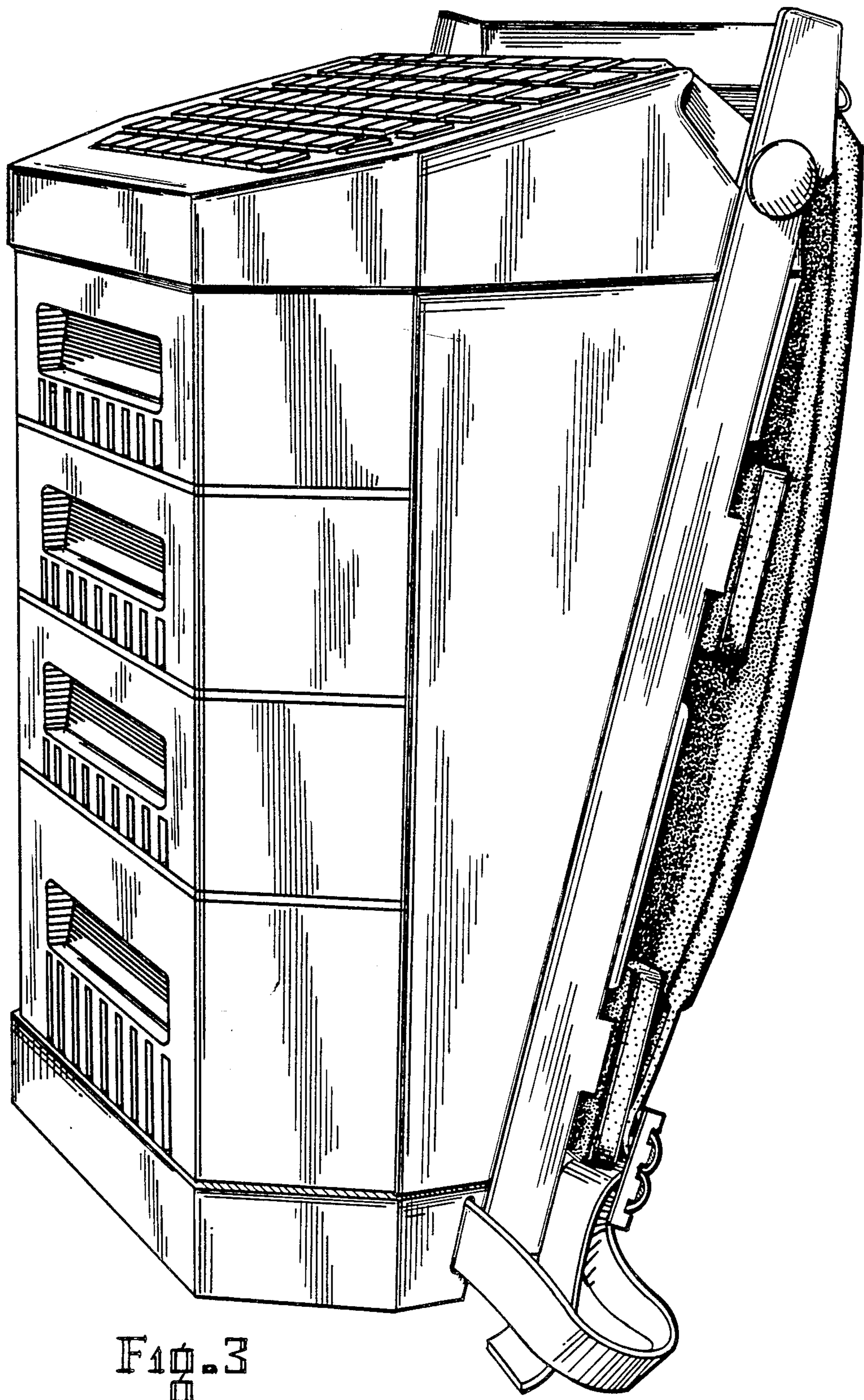


Fig. 3

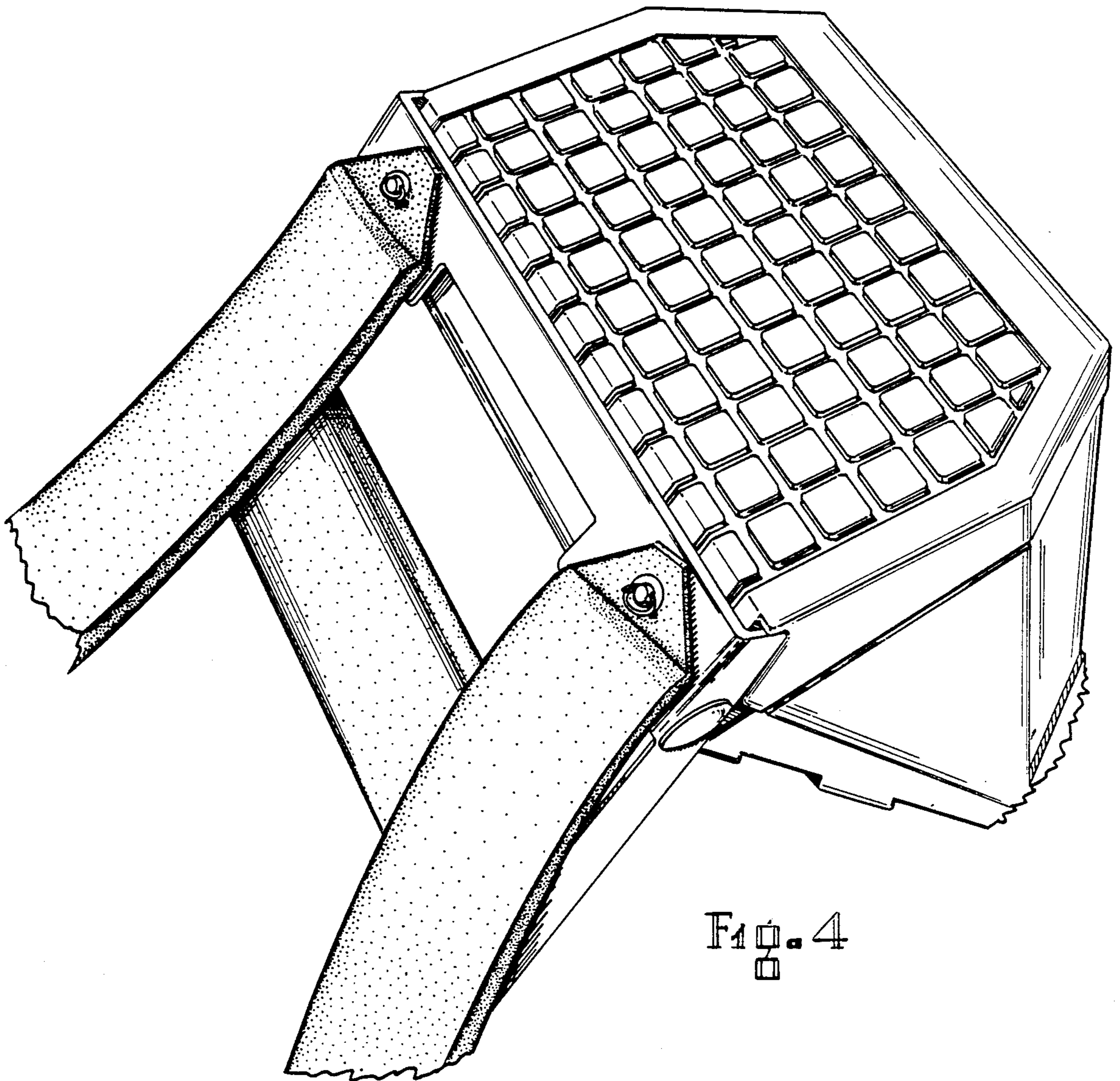


Fig. 4