

- [54] COMBINED AIR FILTRATION HOUSING AND CONVEYOR UNIT
- [75] Inventors: Rutherford L. Cooper; Brian D. Walter, both of Huntington, Ind.
- [73] Assignee: Shuttleworth, Inc., Huntington, Ind.
- [**] Term: 14 Years
- [21] Appl. No.: 718,738
- [22] Filed: Apr. 1, 1985
- [52] U.S. Cl. D34/29; D23/370; D23/355
- [58] Field of Search D34/28, 29; D23/139, D23/140, 149, 151; 55/385 A; 98/15.3; 198/860.3, 860.4, 781; 34/105

Semiconductor FAB Lones," by Peter G. Borden, Gerald Price and Fred Scholz, preprint of an article in *Industrial Research & Development Magazine*, Jul. 1983.

Primary Examiner—James M. Gandy
Assistant Examiner—Kay H. Chin
Attorney, Agent, or Firm—Woodard, Emhardt, Naughton, Moriarty & McNett

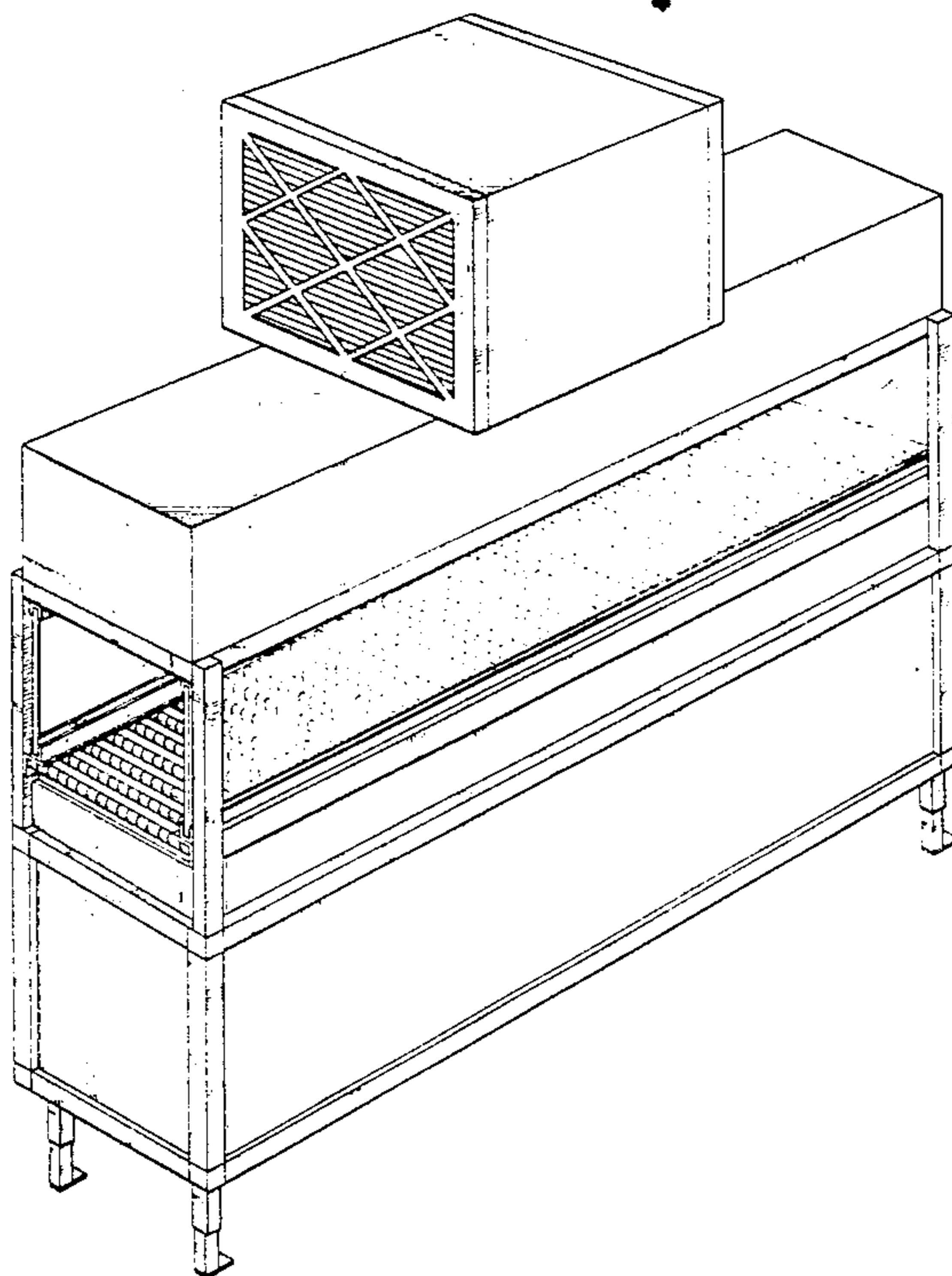
[57] CLAIM

The ornamental design for a combined air filtration housing and conveyor unit, as shown and described.

DESCRIPTION

FIG. 1 is a top plan view of a combined air filtration housing and conveyor unit showing our new design; FIG. 2 is a front elevational view thereof, the rear elevational view being a mirror image of that shown; FIG. 3 is a side elevational view thereof, the opposite side elevational view being a mirror image of that shown; FIG. 4 is a bottom plan view thereof; FIG. 5 is a perspective view thereof.

- [56] **References Cited**
- U.S. PATENT DOCUMENTS**
- D. 290,290 6/1987 Jones, Jr. D34/29
- 2,709,954 6/1955 Baker 98/115.3
- 4,016,809 4/1977 Austin 98/115.3
- OTHER PUBLICATIONS**
- "A Cassette Transport System for the Automation of



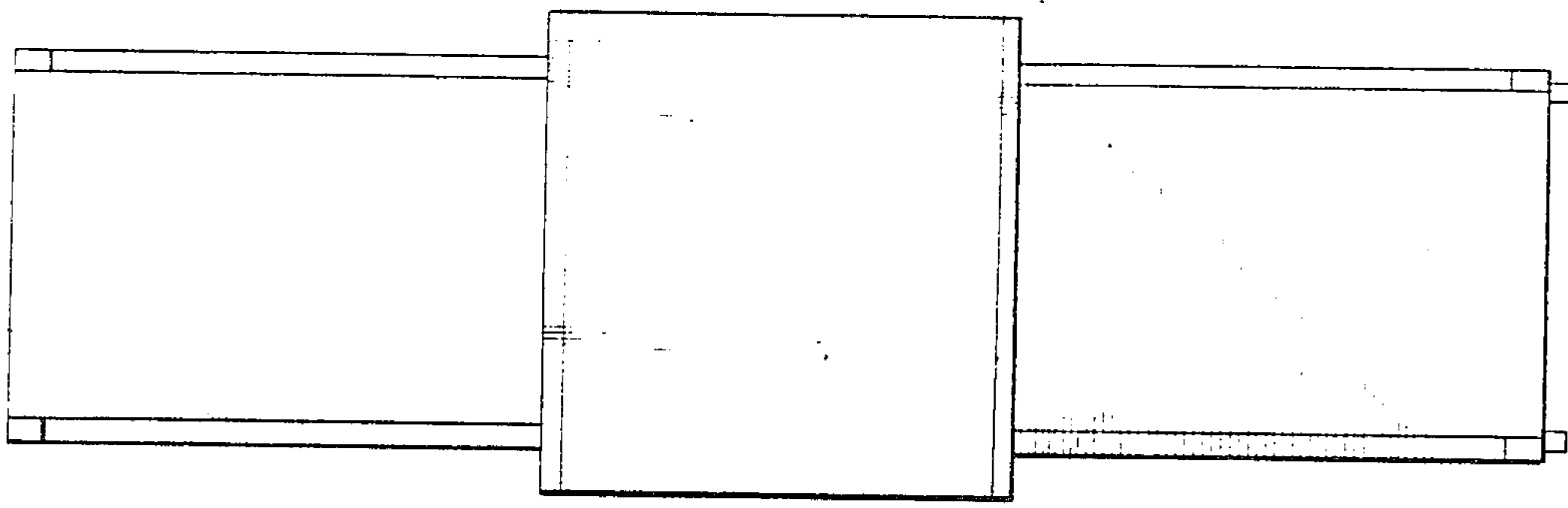


Fig. 1

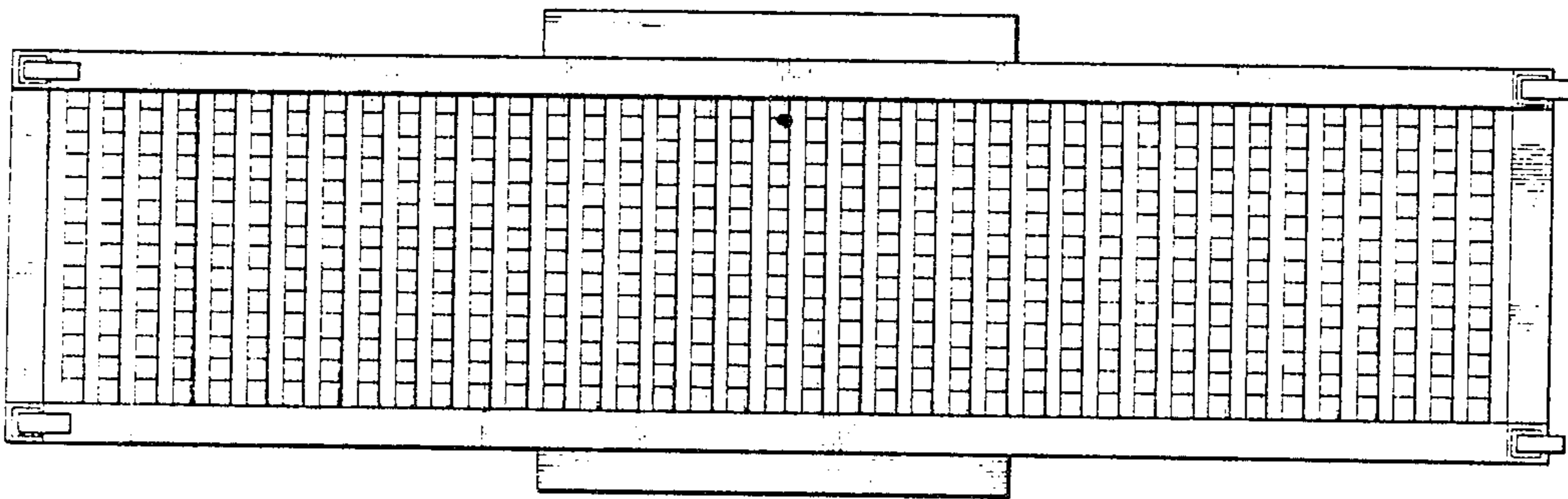


Fig. 4

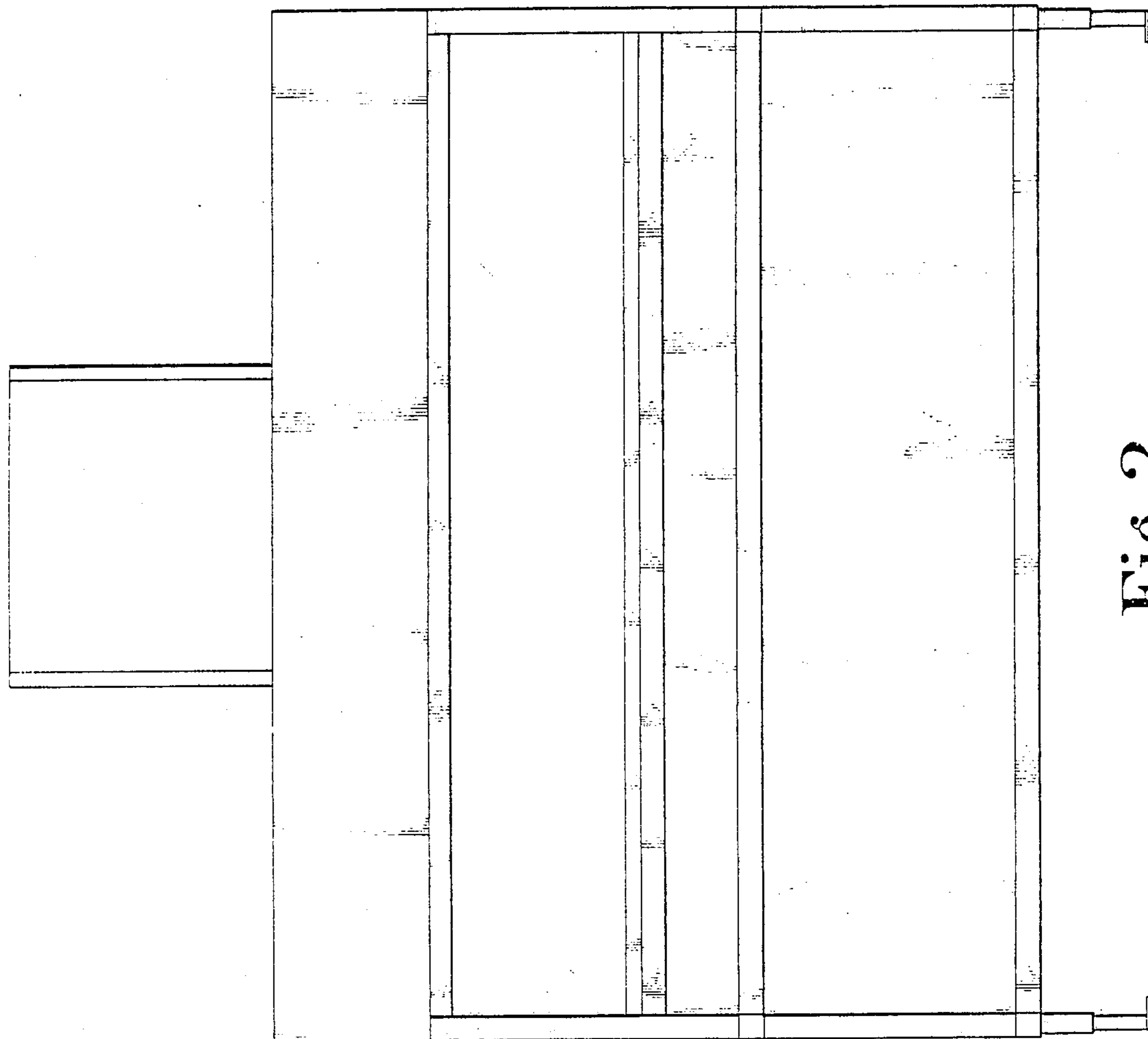


Fig. 2

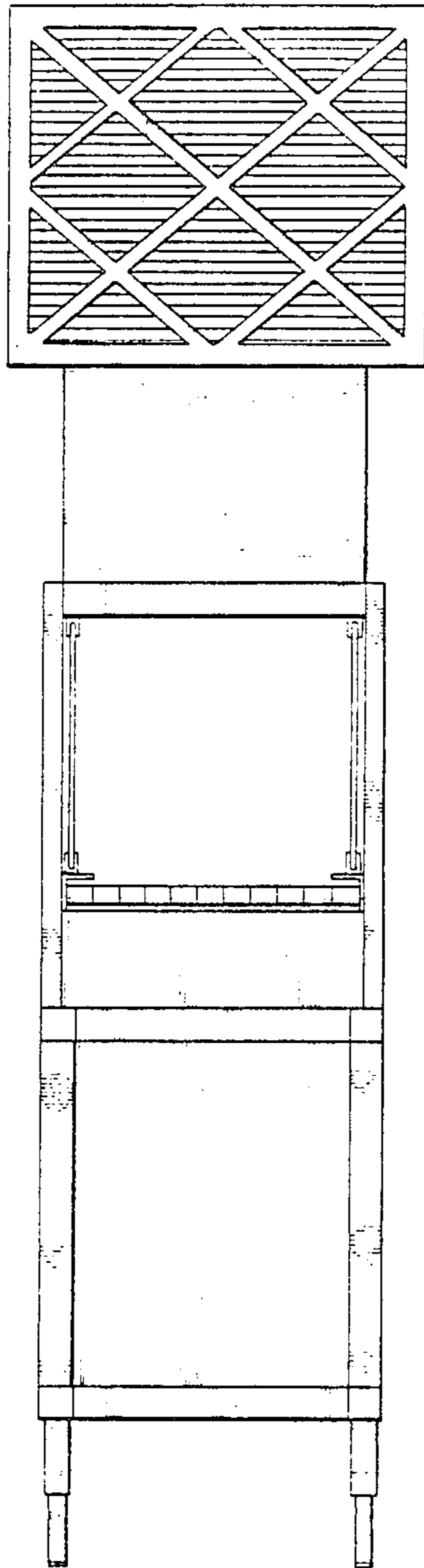


Fig. 3

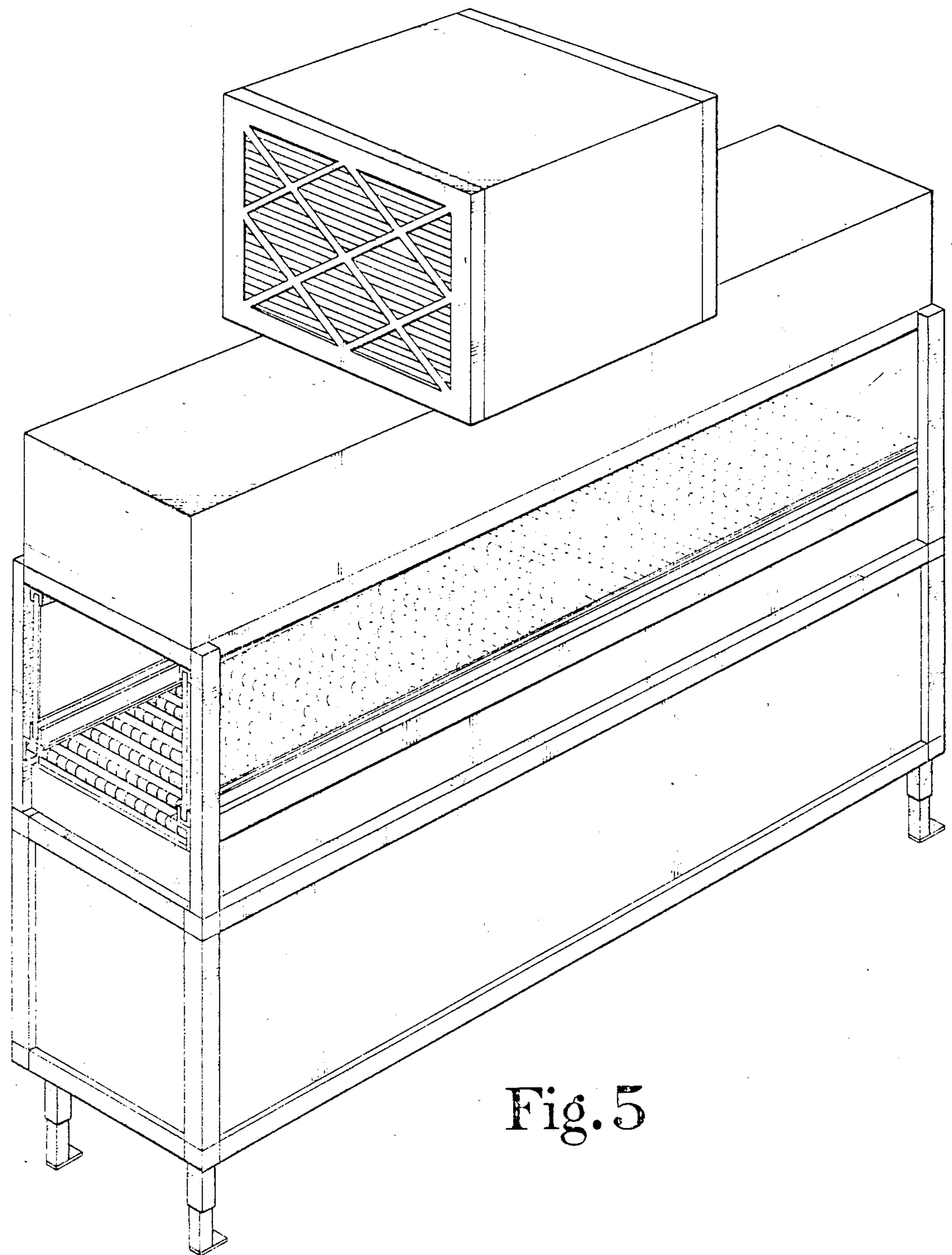


Fig. 5