

[54] HAND-HELD LIGHT

[76] Inventor: Meng-Chang Hsiao, 2nd Fl., 171, Chung Hsiao E. Road, Sec. 6, Taipei, Taiwan

[**] Term: 14 Years

[21] Appl. No.: 784,194

[22] Filed: Oct. 4, 1985

[52] U.S. Cl. D26/48

[58] Field of Search D26/37-50; 362/157, 158, 183-208

[56] References Cited

U.S. PATENT DOCUMENTS

D. 276,375 11/1984 Fenne D26/44

Primary Examiner—Susan J. Lucas
Attorney, Agent, or Firm—Lane and Aitken

[57] CLAIM

The ornamental design for hand-held light, as shown.

DESCRIPTION

FIG. 1 is a perspective view of a hand-held light showing my design;

FIG. 2 is a front elevational view thereof;

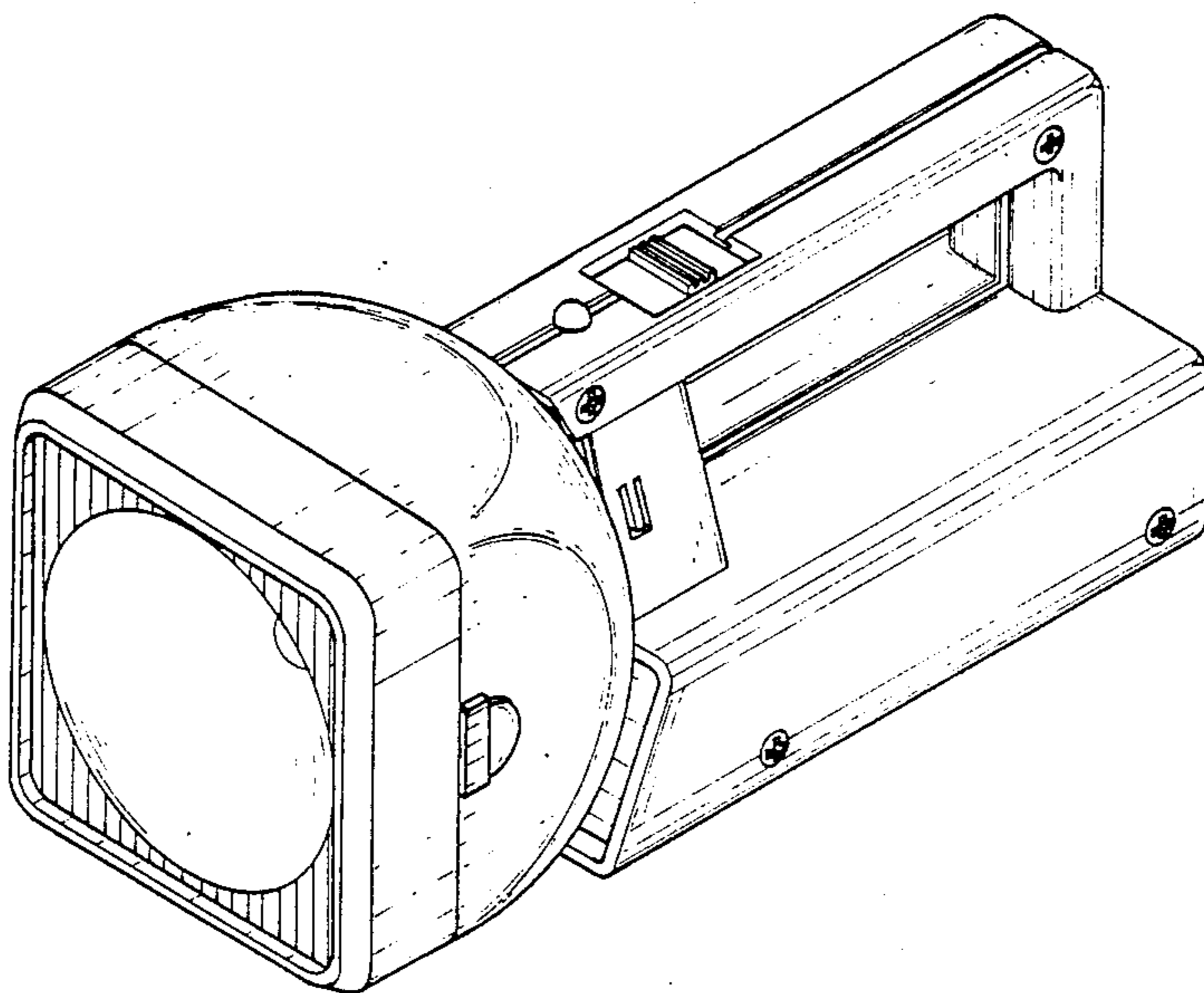
FIG. 3 is a rear elevational view thereof;

FIG. 4 is a right side elevational view thereof;

FIG. 5 is a left side elevational view thereof;

FIG. 6 is a top plan view thereof; and

FIG. 7 is a bottom plan view thereof.



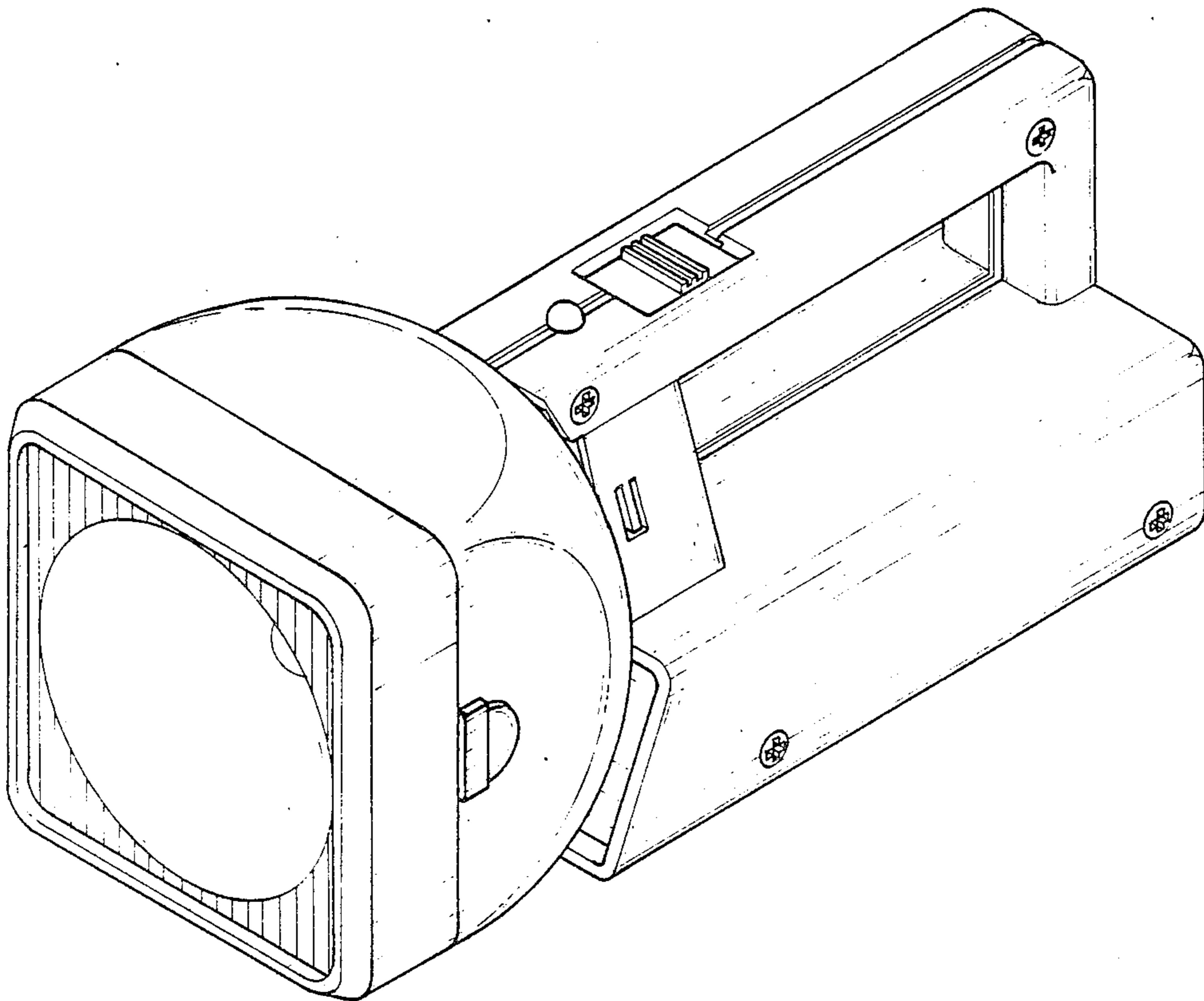


FIG. 1

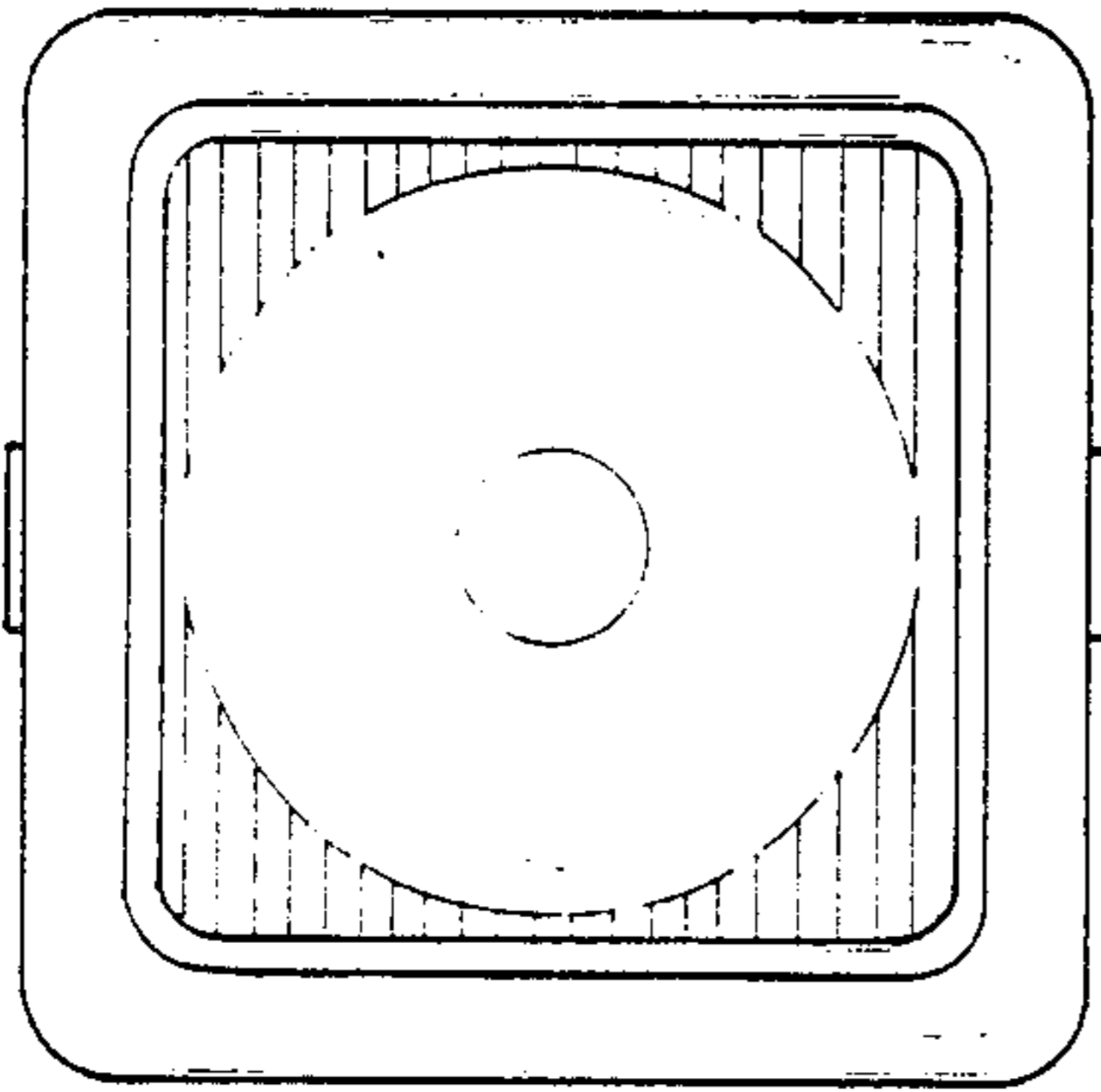


FIG. 2

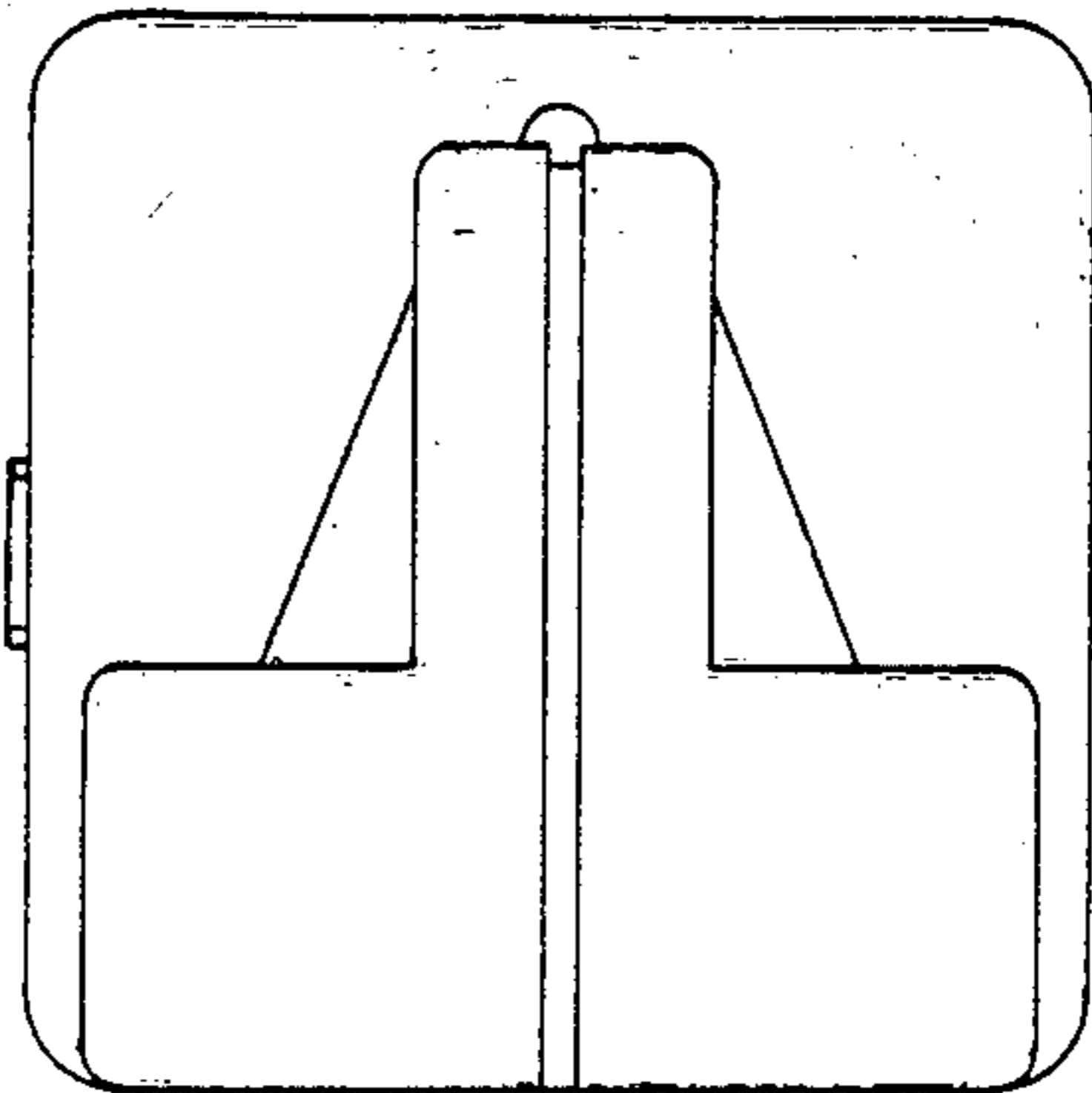


FIG. 3

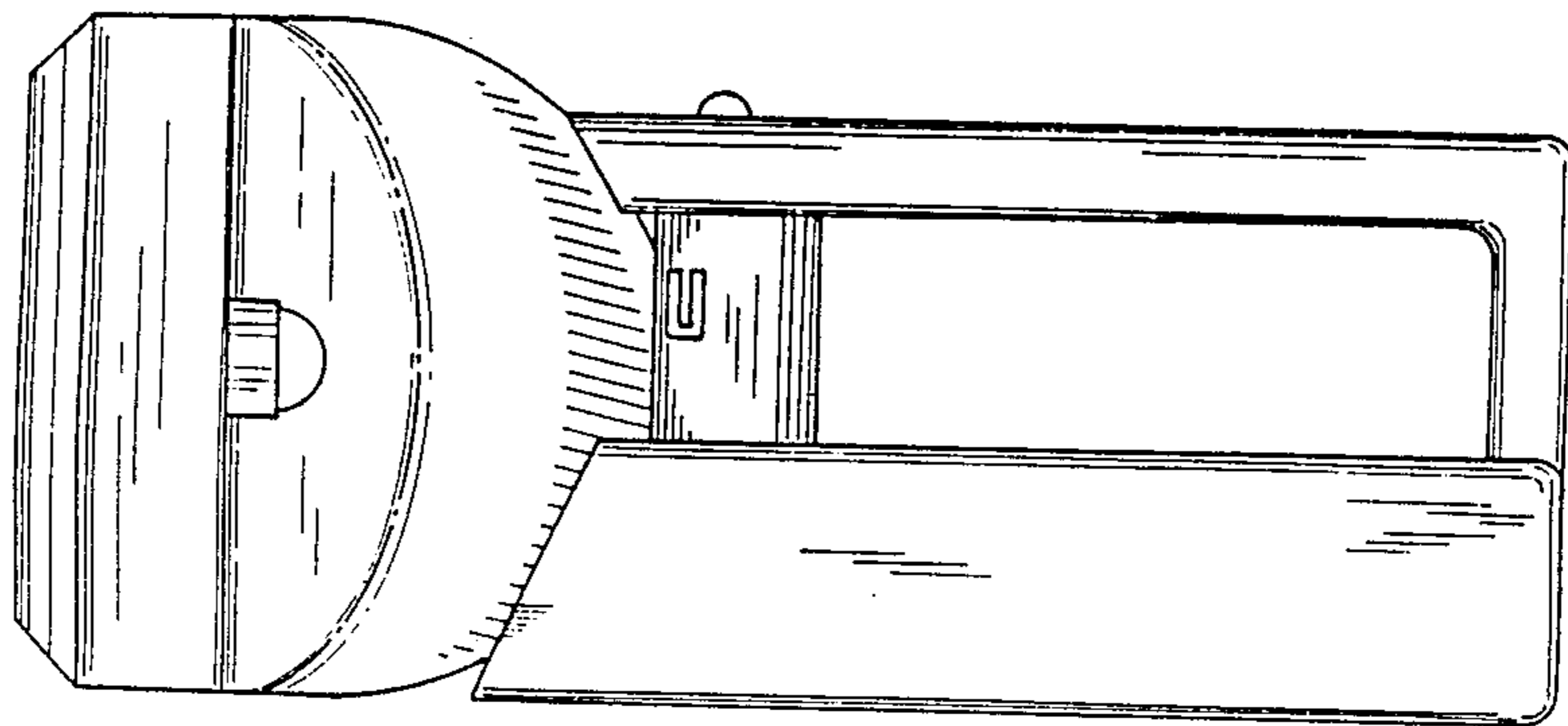


Fig. 4

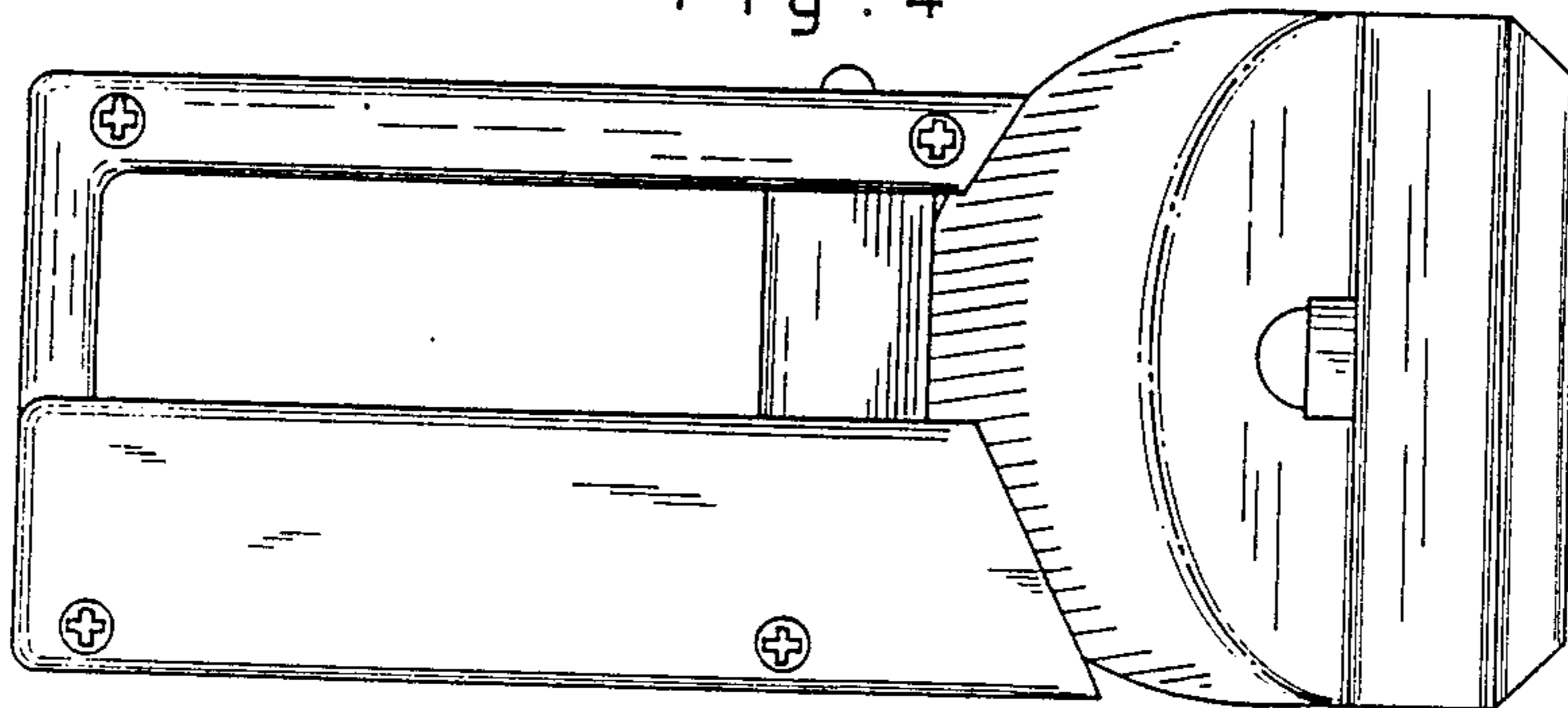


Fig. 5

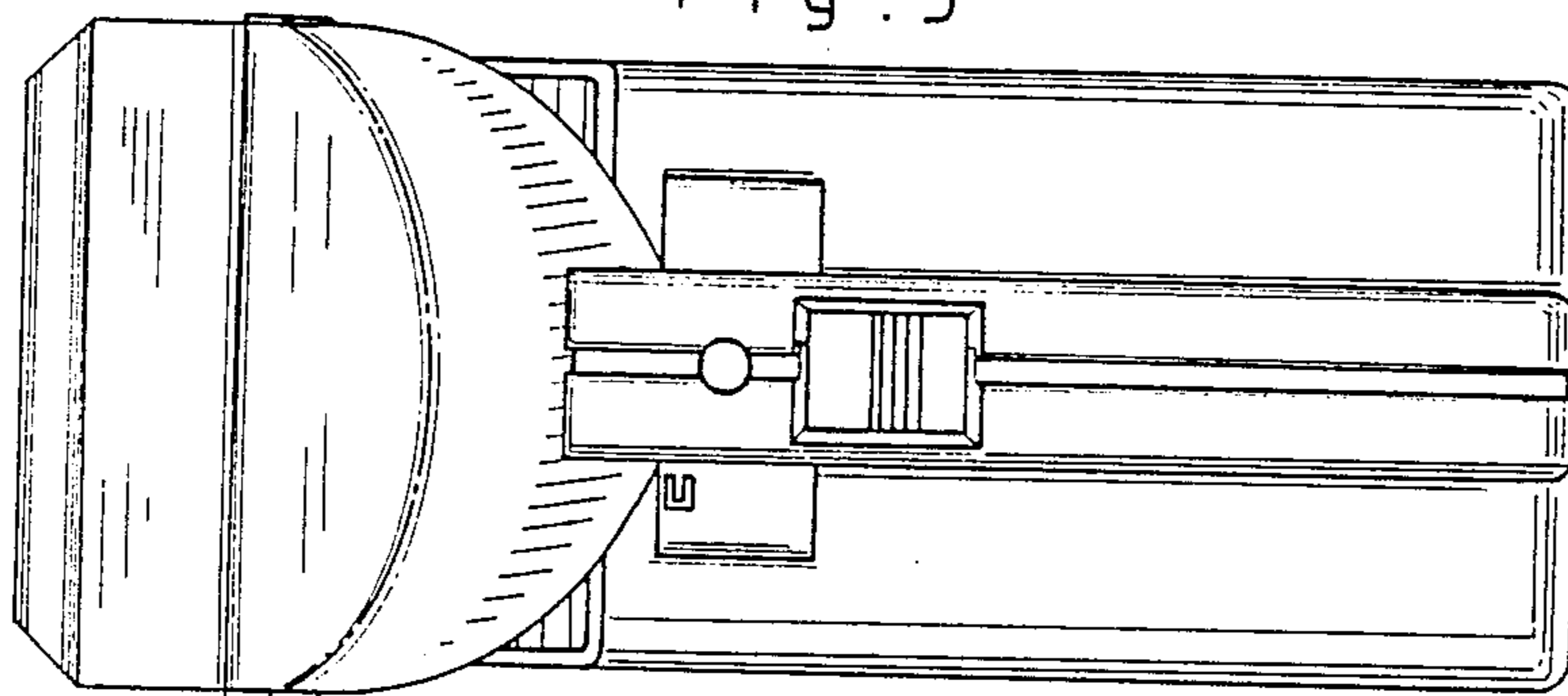


Fig. 6

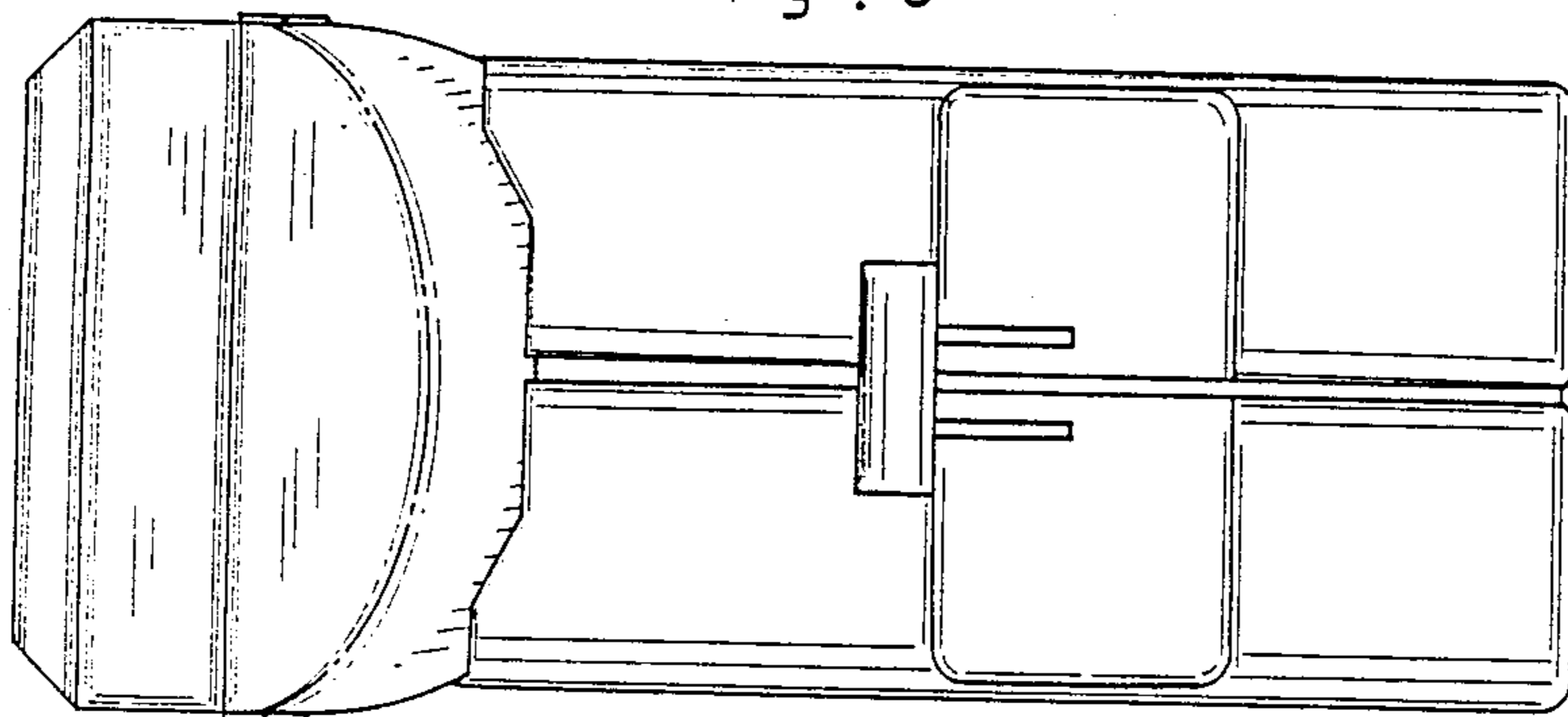


Fig. 7