

[54] CLIP FOR A BABY'S PACIFIER

[76] Inventors: Rosalie A. Jefferson; Robert A. Jefferson, both of 1529 Windsor Dr., Desoto, Tex. 75115

[**] Term: 14 Years

[21] Appl. No.: 746,766

[22] Filed: Jun. 20, 1985

[52] U.S. Cl. D24/34; D24/45

[58] Field of Search D24/45, 46, 34; 24/455, 24/456, 3 C, 3 G, 3 J, 3 M; 128/359, 360; D8/394, 395

[56] References Cited

U.S. PATENT DOCUMENTS

- D. 225,039 10/1972 Sauritis D24/46
- D. 276,939 12/1984 Pascoe D24/46

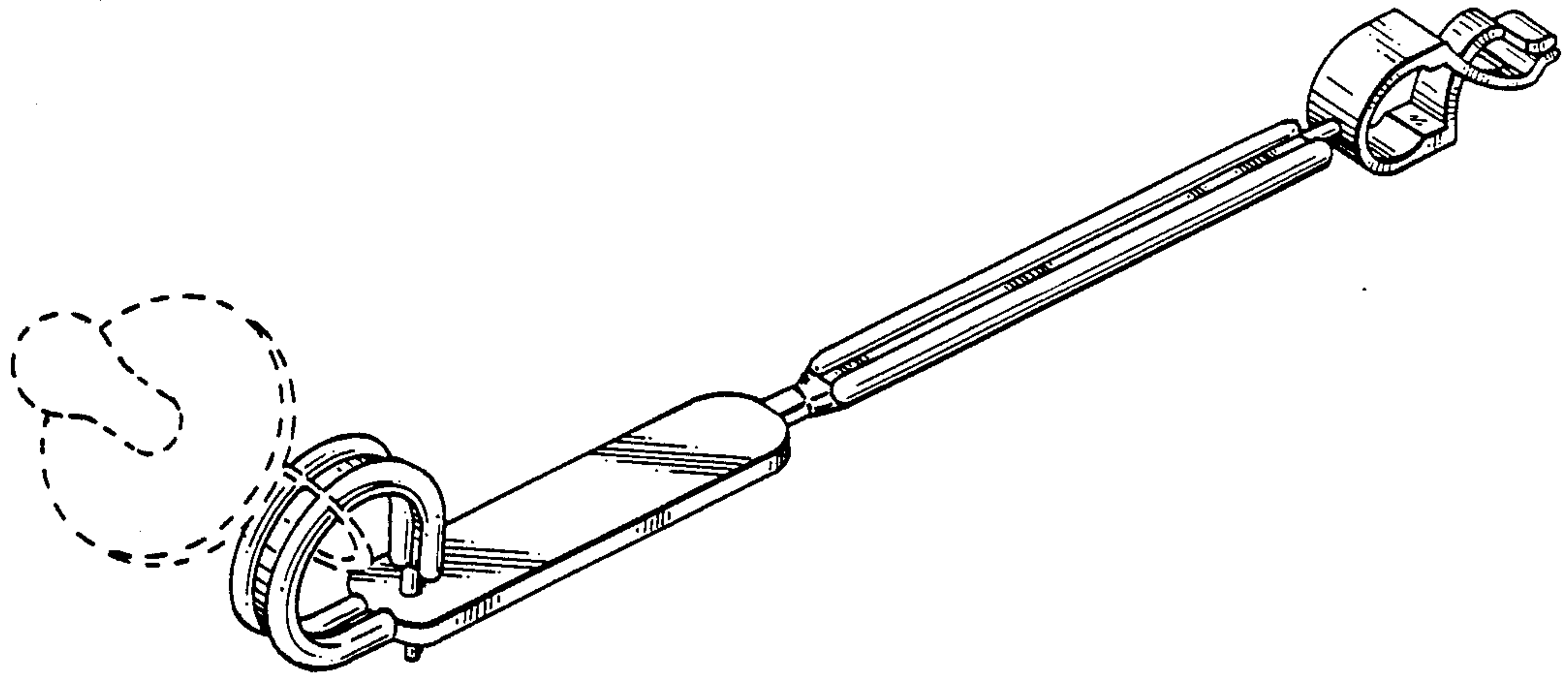
Primary Examiner—A. Hugo Word
Assistant Examiner—Stella M. Reid
Attorney, Agent, or Firm—W. Kirk McCord

[57] CLAIM

The ornamental design for a clip for a baby's pacifier, as shown and described.

DESCRIPTION

FIG. 1 is a perspective view of a clip for a baby's pacifier showing our new design;
FIG. 2 is a top plan view thereof;
FIG. 3 is a side elevational view thereof;
FIG. 4 is a bottom plan view thereof;
FIG. 5 is a left hand elevational view thereof; and
FIG. 6 is a right hand elevational view thereof.
The broken line showing of the pacifier is for illustrative purposes only and forms no part of the claimed design.



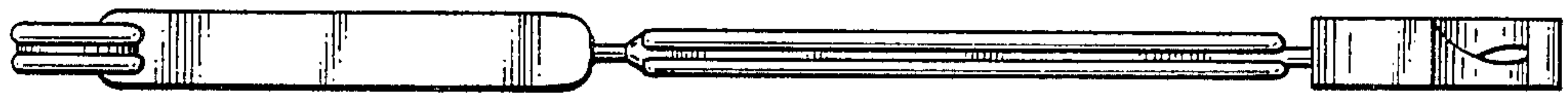
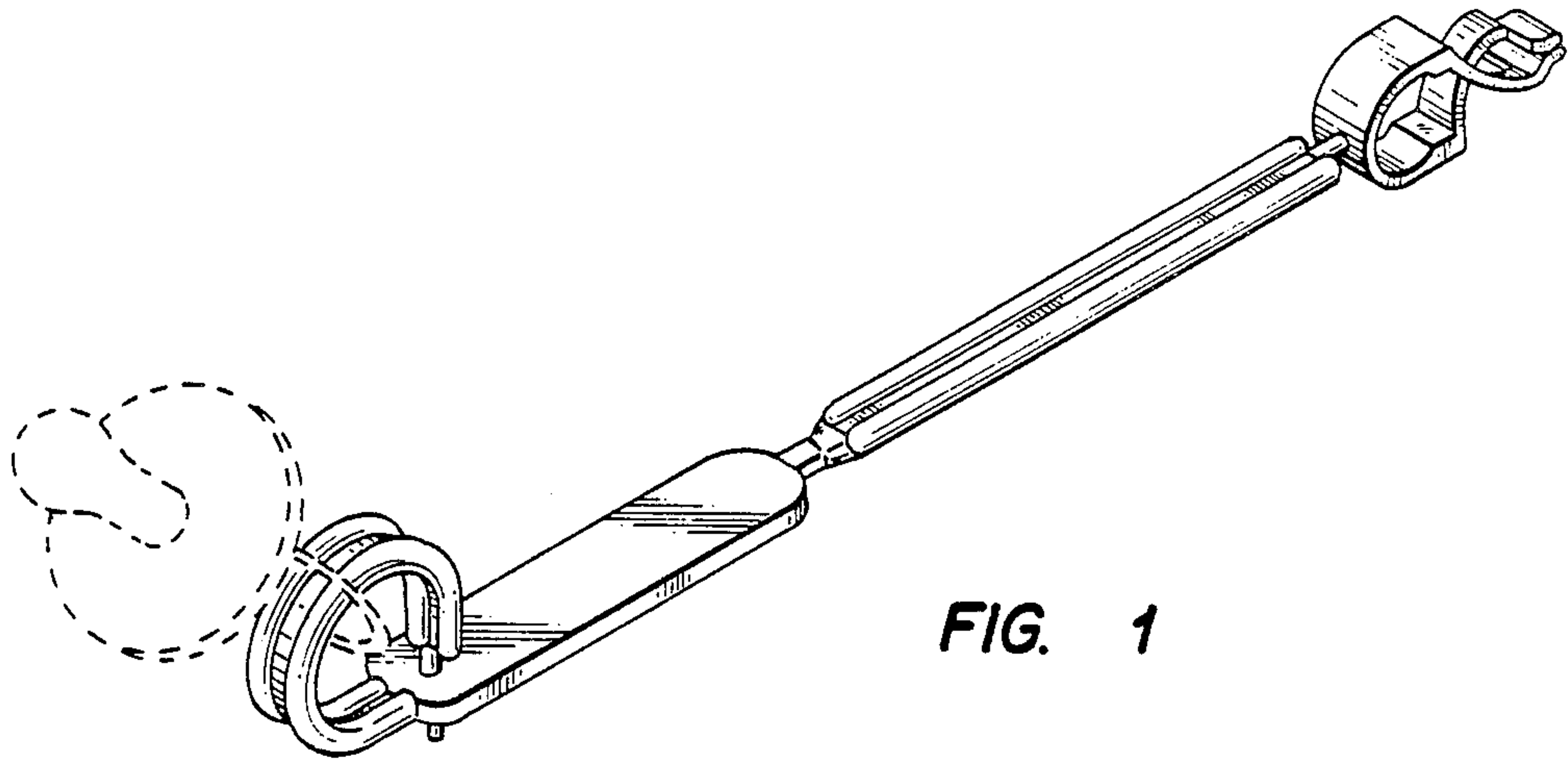


FIG. 2

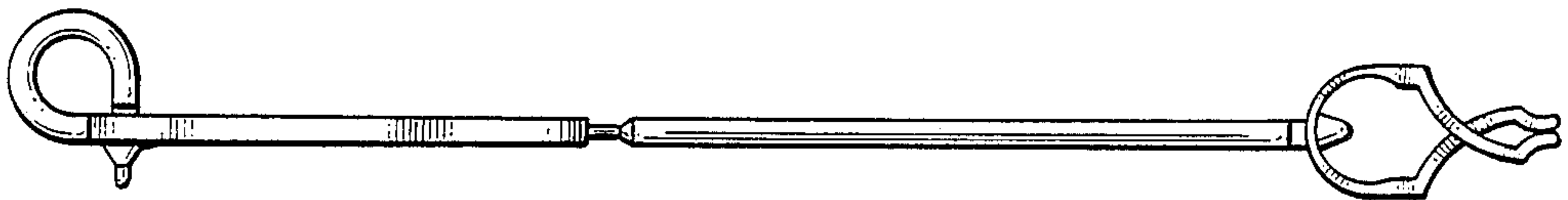


FIG. 3

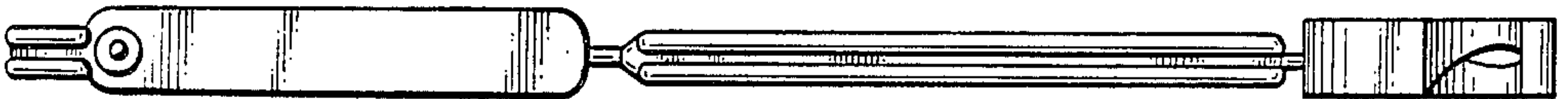


FIG. 4

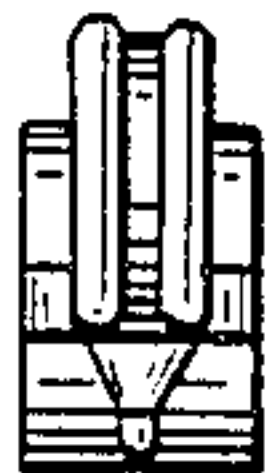


FIG. 5



FIG. 6