

[54] SLIT LAMP FOR EXAMINING THE STRUCTURE OF A PATIENT'S EYE

4,477,159 10/1984 Mizuno et al. .... 351/221  
4,520,816 6/1985 Schachar et al. .... 351/200 X

[75] Inventor: Edwin A. Speaker, Brockport, N.Y.

Primary Examiner—A. Hugo Word  
Assistant Examiner—Stella M. Reid  
Attorney, Agent, or Firm—Alan H. Spencer

[73] Assignee: Cambridge Instruments Inc., Buffalo, N.Y.

[\*\*] Term: 14 Years

[57] CLAIM

[21] Appl. No.: 738,796

The ornamental design for a slit lamp for examining the structure of a patient's eye, substantially as shown and described.

[22] Filed: May 28, 1985

[52] U.S. Cl. .... D24/17

DESCRIPTION

[58] Field of Search ..... D24/1.1, 17; 351/200, 351/205, 206, 211, 214, 217, 221

FIG. 1 is a right front perspective view of a slit lamp for examining the structure of a patient's eye showing my new design;

[56] References Cited

U.S. PATENT DOCUMENTS

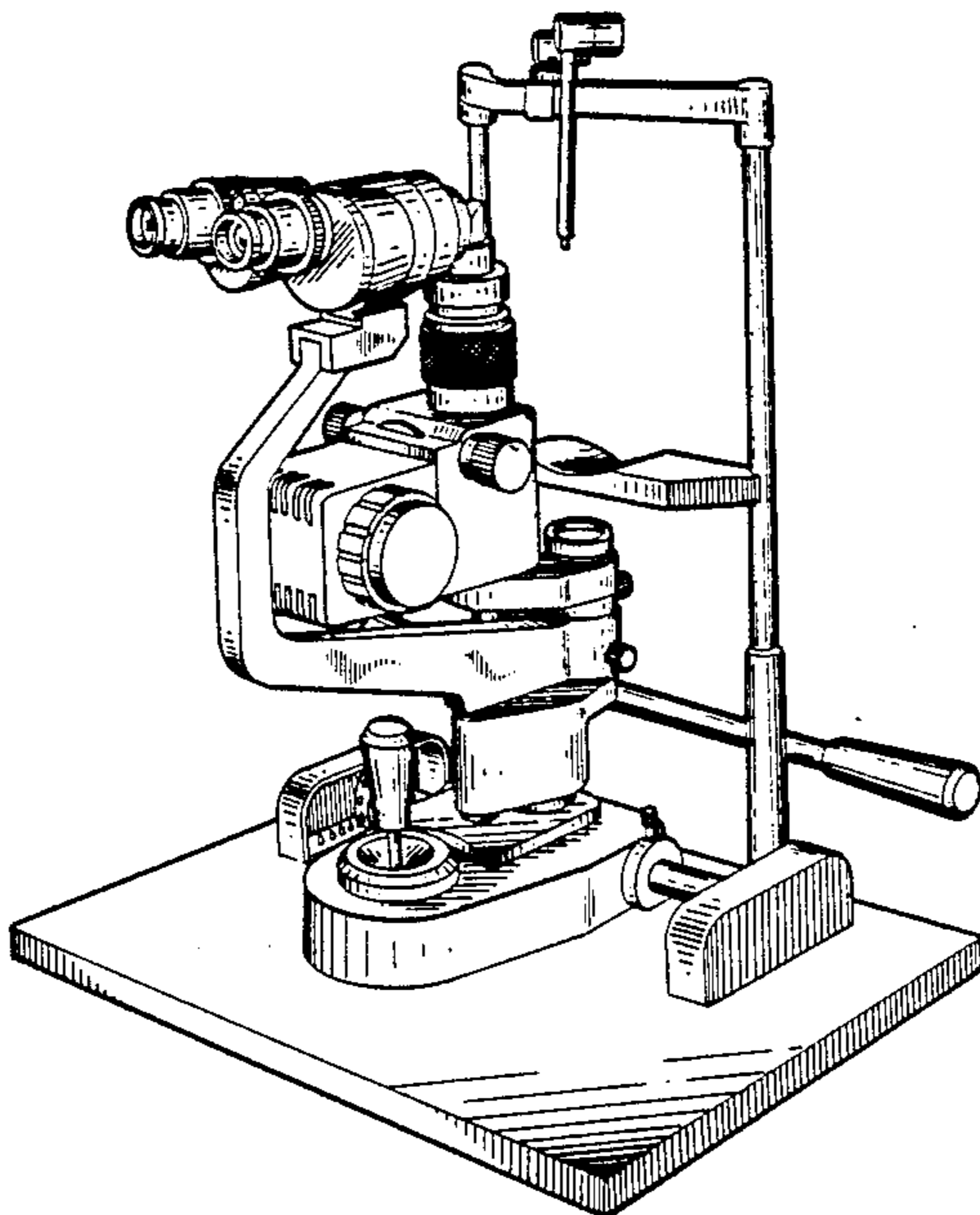
D. 254,933 5/1980 Muller ..... D24/17  
3,944,342 3/1976 Martinez ..... 351/206  
4,125,320 11/1978 Rassow et al. .... 351/211

FIG. 2 is a left side perspective view thereof;

FIG. 3 is a rear perspective view thereof; and

FIG. 4 is a front perspective view thereof.

The bottom of the design is substantially plain and unornamented.



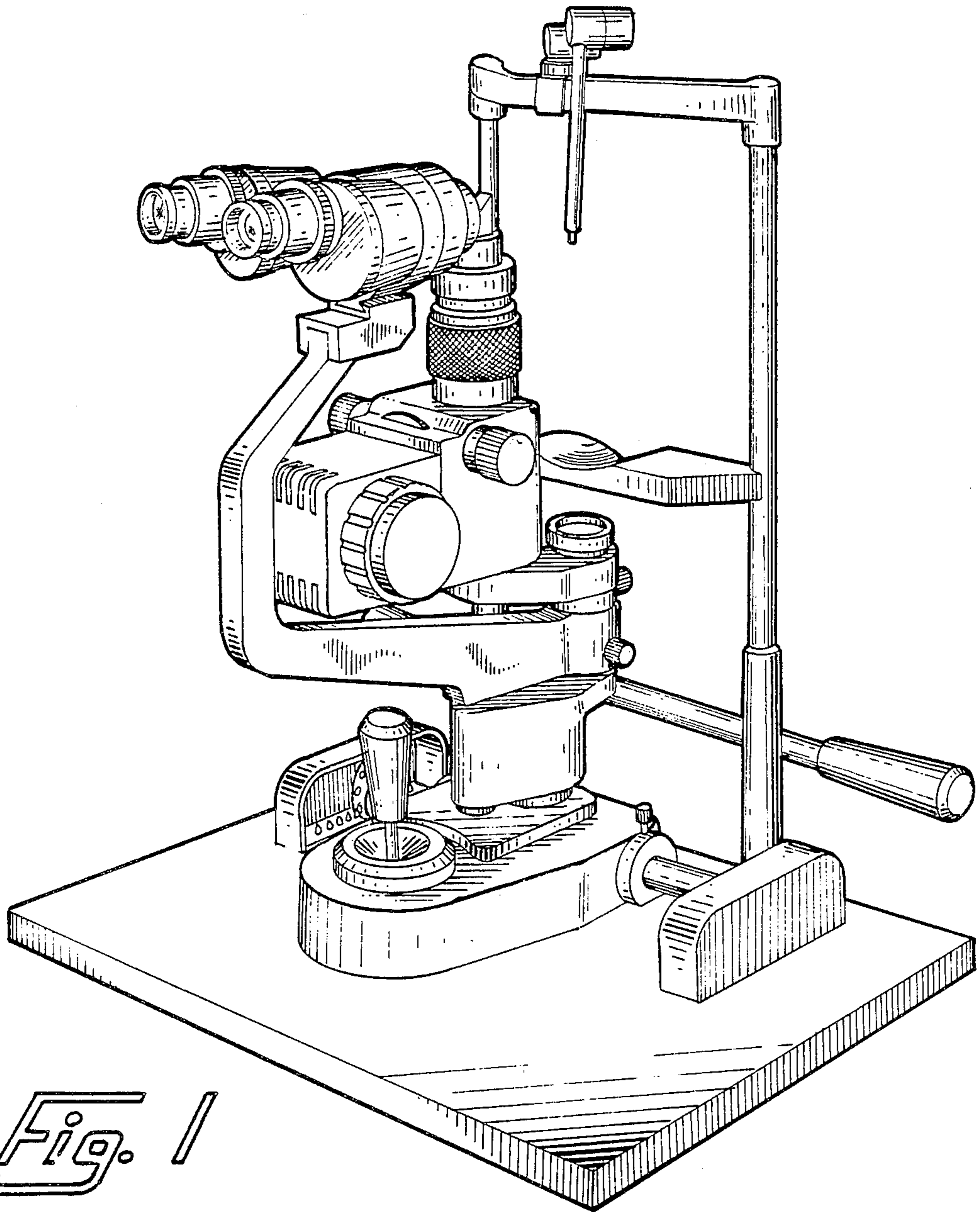
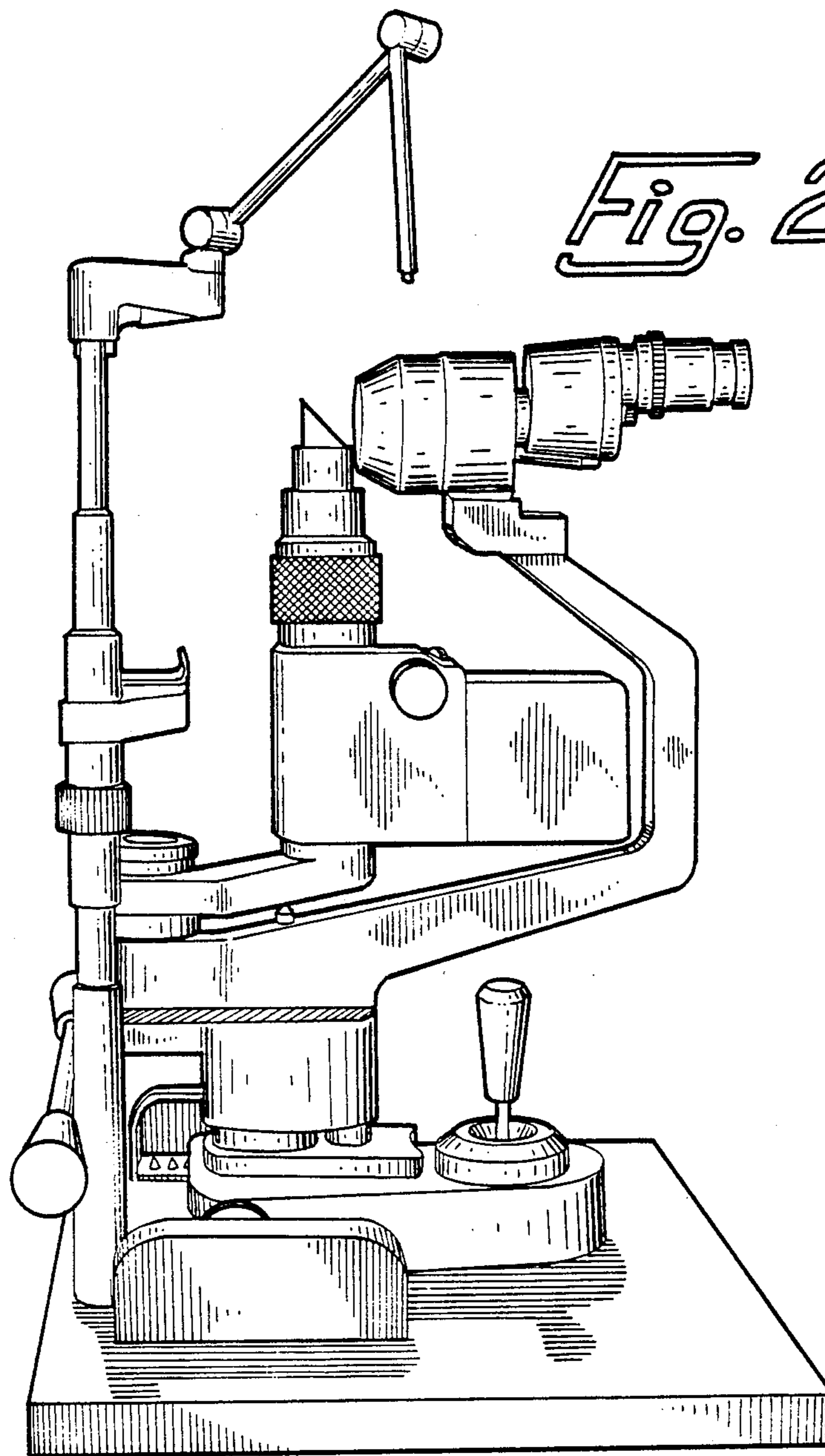
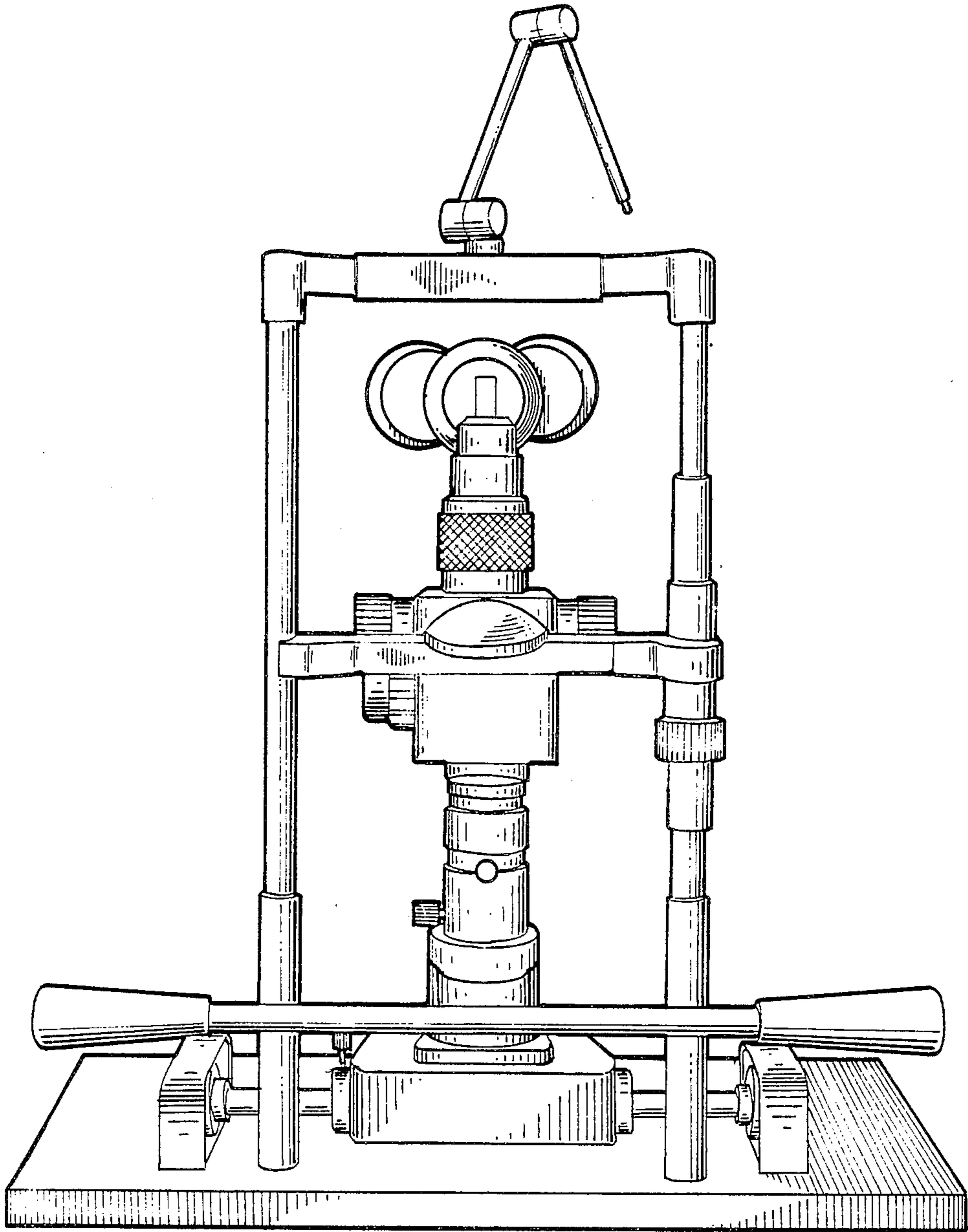
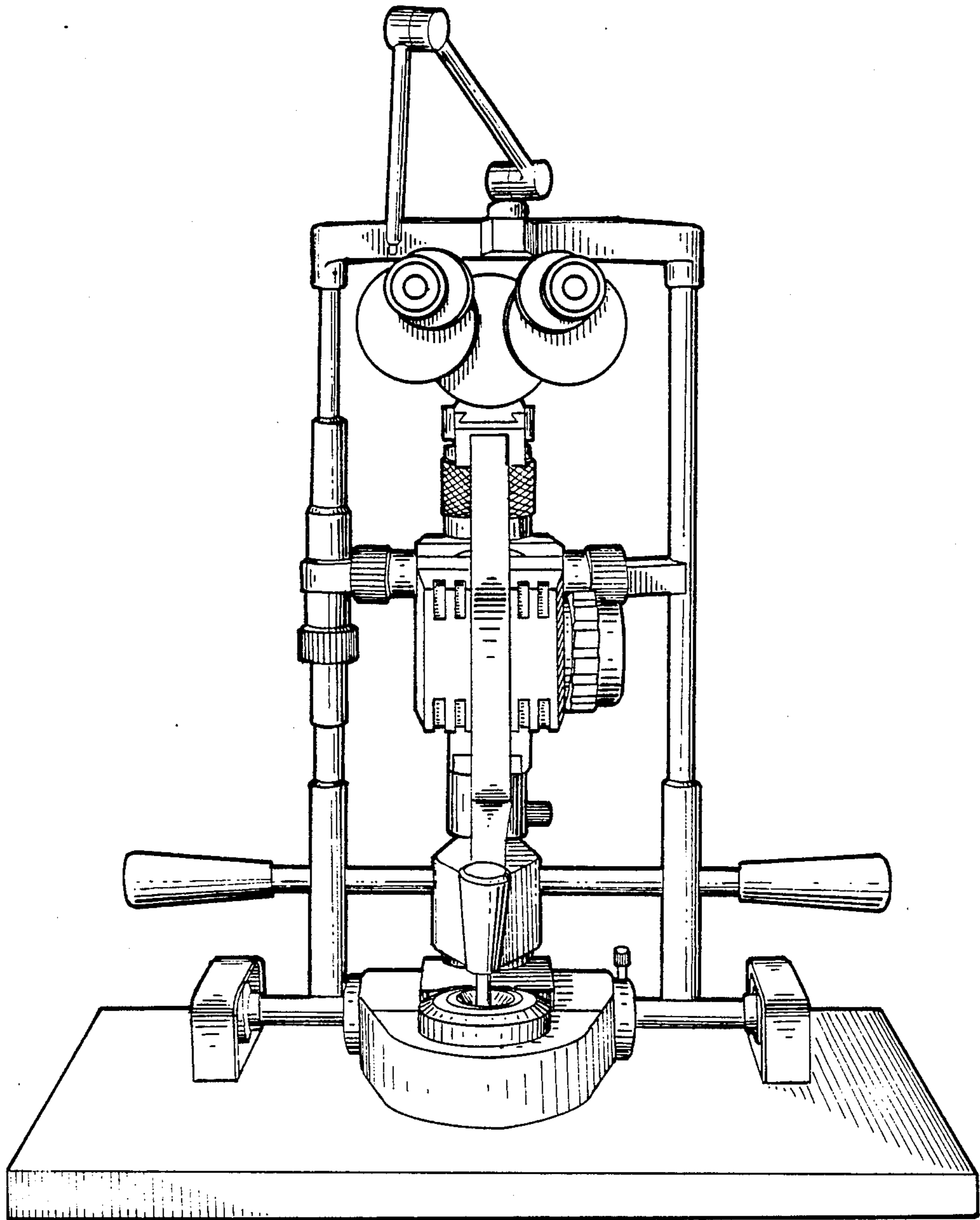


Fig. 1





*Fig. 3*



*Fig. 4*