

[54] CEILING FAN
[75] Inventor: Shelley A. Greenberg, Encino, Calif.
[73] Assignee: Beverly Hills Trading Company, Inc.,
Los Angeles, Calif.
[**] Term: 14 Years
[21] Appl. No.: 81,895
[22] Filed: Aug. 5, 1987
[52] U.S. Cl. D23/385; D23/377;
D23/379
[58] Field of Search D23/370, 377, 379, 385,
D23/387-388, 390; D26/72, 81, 83-85;
362/147-148, 150, 255, 257, 268, 457

D. 290,873 7/1987 Chen D23/158
4,396,352 8/1983 Pearce 416/206
4,402,649 9/1983 Laurel 416/5
4,428,032 1/1984 Workman 362/96
4,685,038 8/1987 Huang 362/147 X

OTHER PUBLICATIONS

Homestead ceiling fan—"Contemporary Superfan"—
Home Lighting and Accessories, Dec. 1985, p. 47.

Primary Examiner—Wallace R. Burke
Assistant Examiner—Brian N. Vinson
Attorney, Agent, or Firm—Bernard, Rothwell & Brown

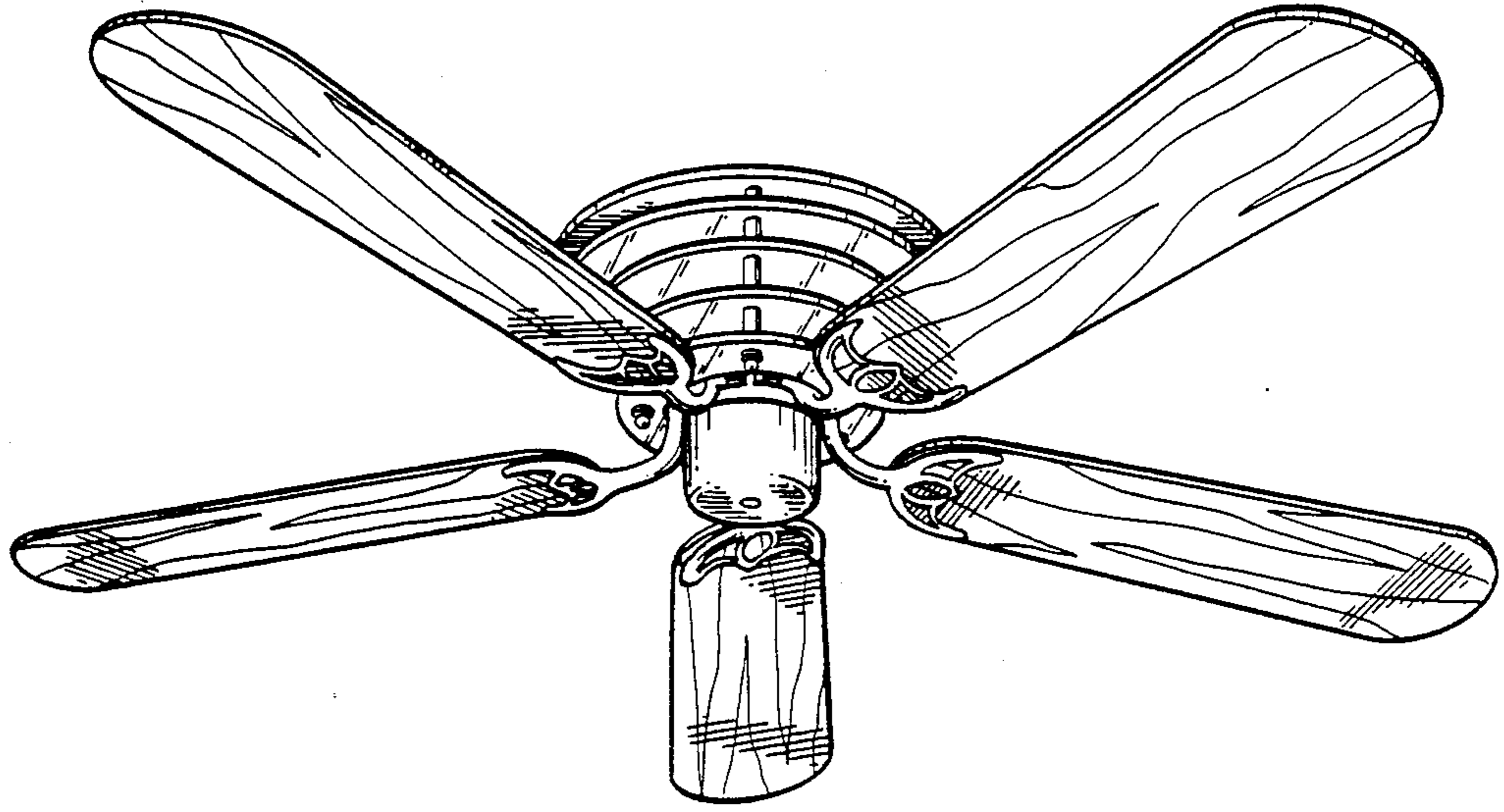
CLAIM

[57] The ornamental design of a ceiling fan, as shown and
described.

DESCRIPTION

FIG. 1 is a bottom perspective view of a ceiling fan
showing my new design;
FIG. 2 is a top plan view thereof;
FIG. 3 is a bottom plan view thereof; and
FIG. 4 is a side elevational view thereof, the sides adja-
cent and opposite being substantially similar in appear-
ance.

[56] References Cited
U.S. PATENT DOCUMENTS
D. 149,133 3/1948 Kisling D23/377
D. 262,570 1/1982 Lock D23/158
D. 265,681 8/1982 Kan D23/158
D. 268,521 4/1983 Clemente D23/158
D. 270,563 9/1983 Phillips D23/158
D. 285,720 9/1986 Markwardt D23/158
D. 290,748 7/1987 Kawai D23/377



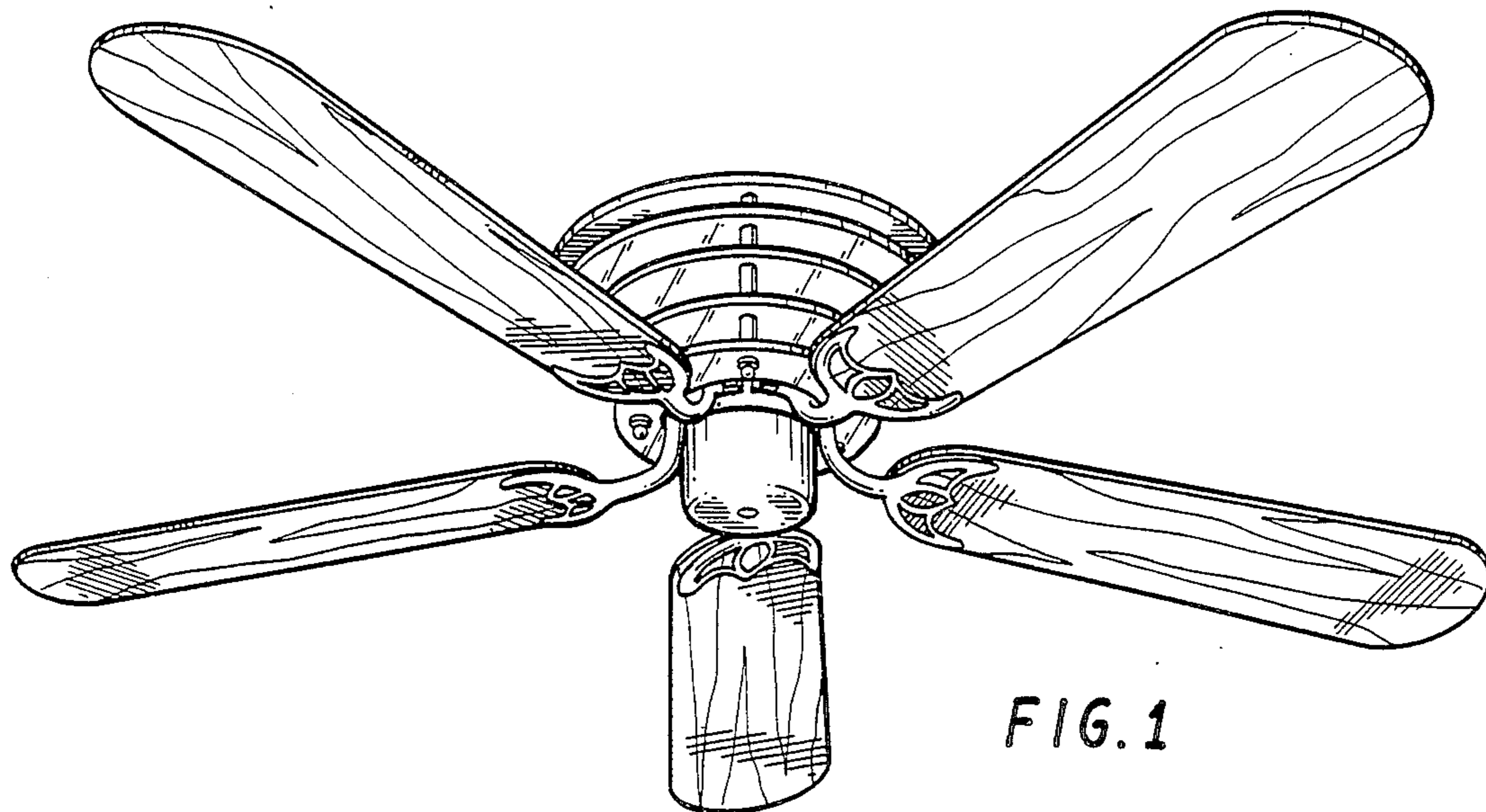


FIG. 1

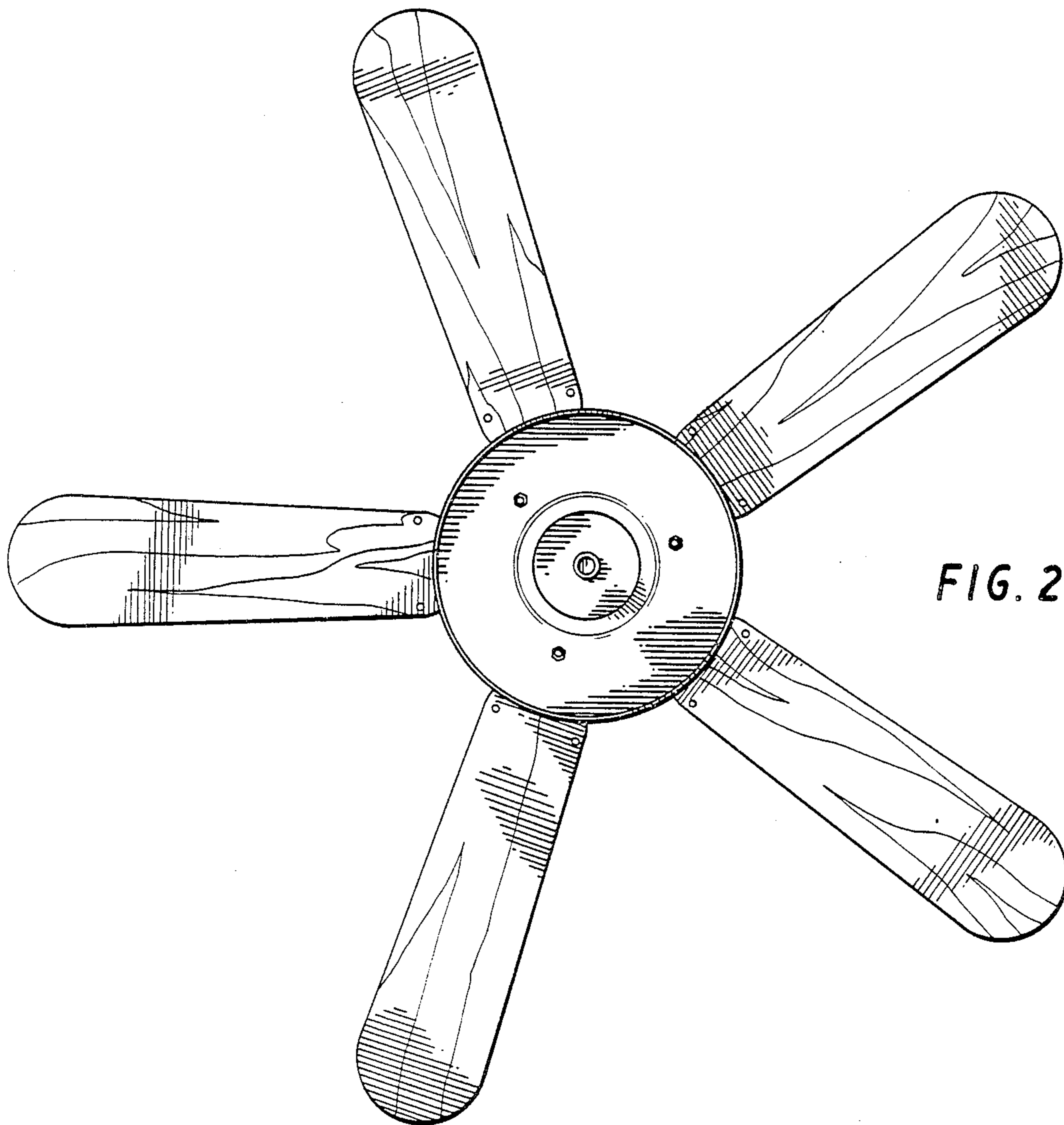


FIG. 2

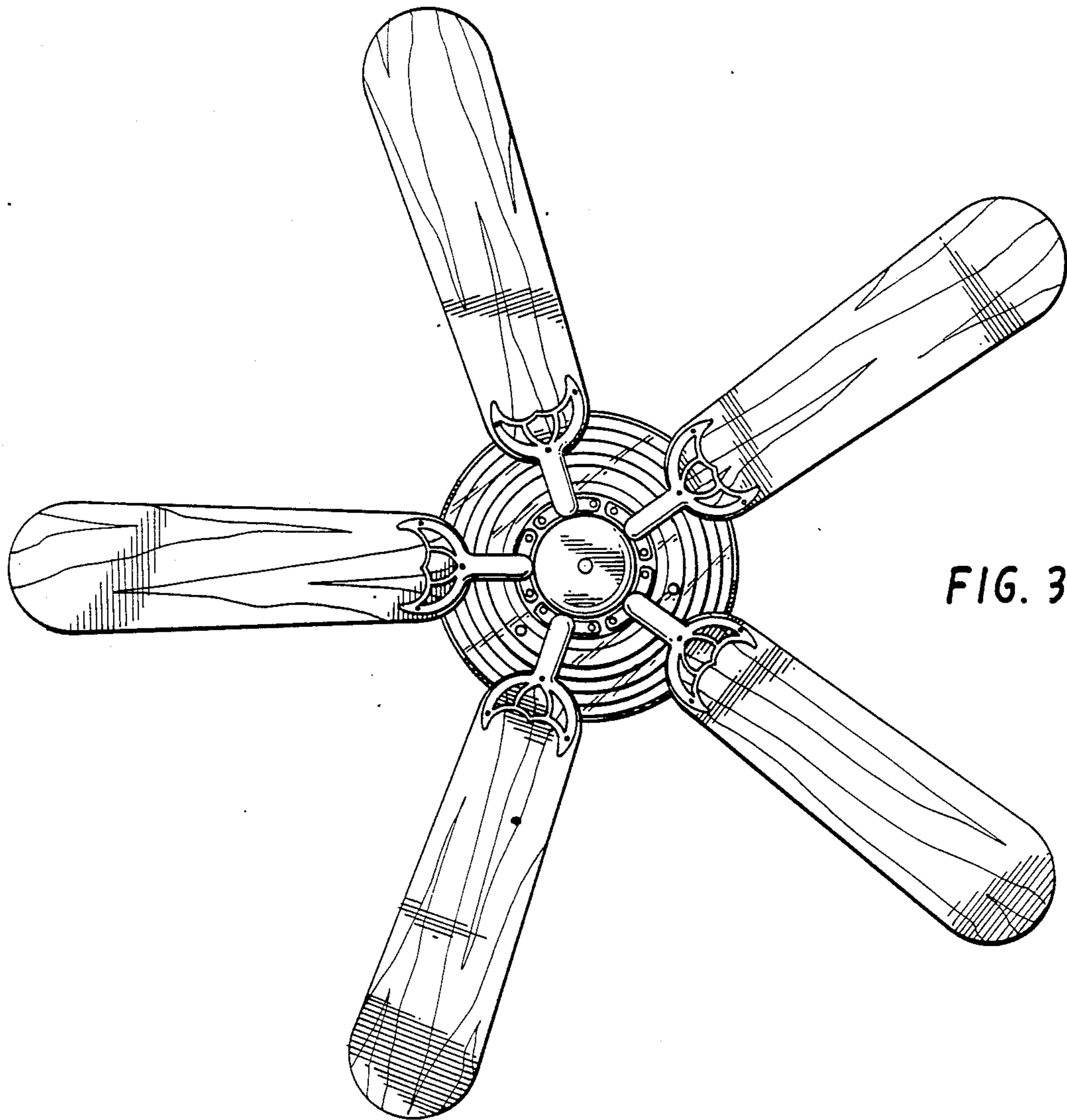


FIG. 3

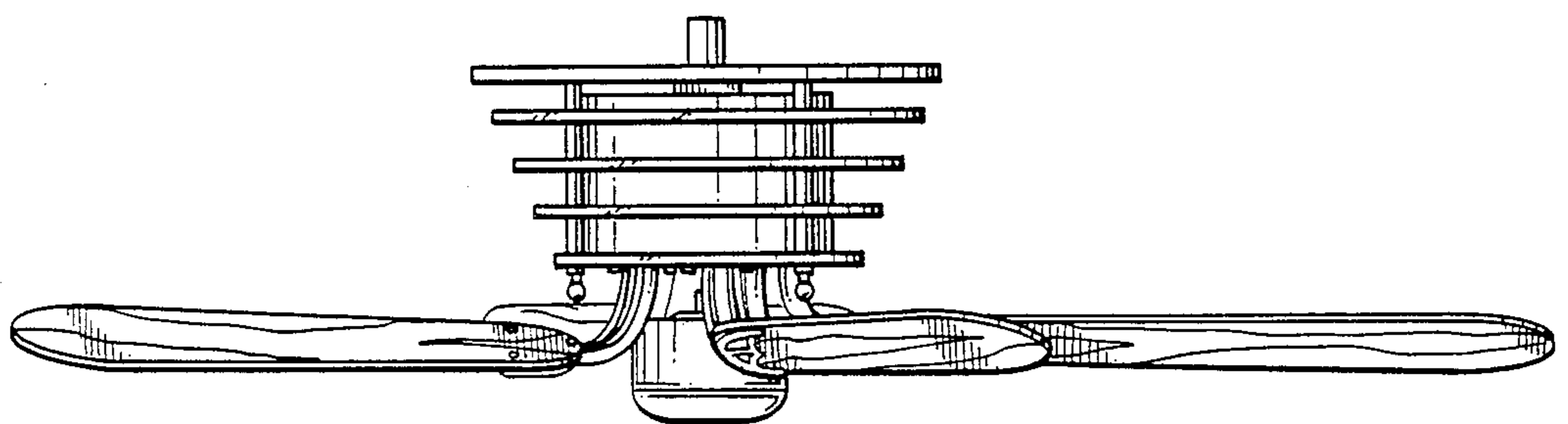


FIG. 4