

[54] SPOUT

[75] Inventor: Holly K. Yost, North Hollywood, Calif.

[73] Assignee: Price Pfister, Inc., Pacoima, Calif.

[**] Term: 14 Years

[21] Appl. No.: 860,767

[22] Filed: May 7, 1986

[52] U.S. Cl. D23/255

[58] Field of Search D23/238-243, D23/255-257; 4/191, 192; 137/801

[56] References Cited

U.S. PATENT DOCUMENTS

- D. 200,622 3/1965 Whitener D23/255
- D. 243,240 2/1977 Dreibelbis D23/241
- D. 276,259 11/1984 Miller D23/241
- D. 280,010 8/1985 Miller et al. D23/257

- D. 287,747 1/1987 Miller et al. D23/255
- D. 288,835 3/1987 Yost D23/241

Primary Examiner—James R. Largen
Attorney, Agent, or Firm—Blakely, Sokoloff, Taylor & Zafman

[57] CLAIM

The ornamental design for spout, substantially as shown and described.

DESCRIPTION

FIG. 1 is a top plan view of a spout incorporating my new design.

FIG. 2 is a front elevational view thereof.

FIG. 3 is a right side elevational view thereof, the left side being a mirror image of the right side shown.

FIG. 4 is a rear elevational view thereof.

The fragmentary broken line showing of a sink in FIGS. 2, 3 and 4 is for purposes of illustration only and forms no part of the claimed design.

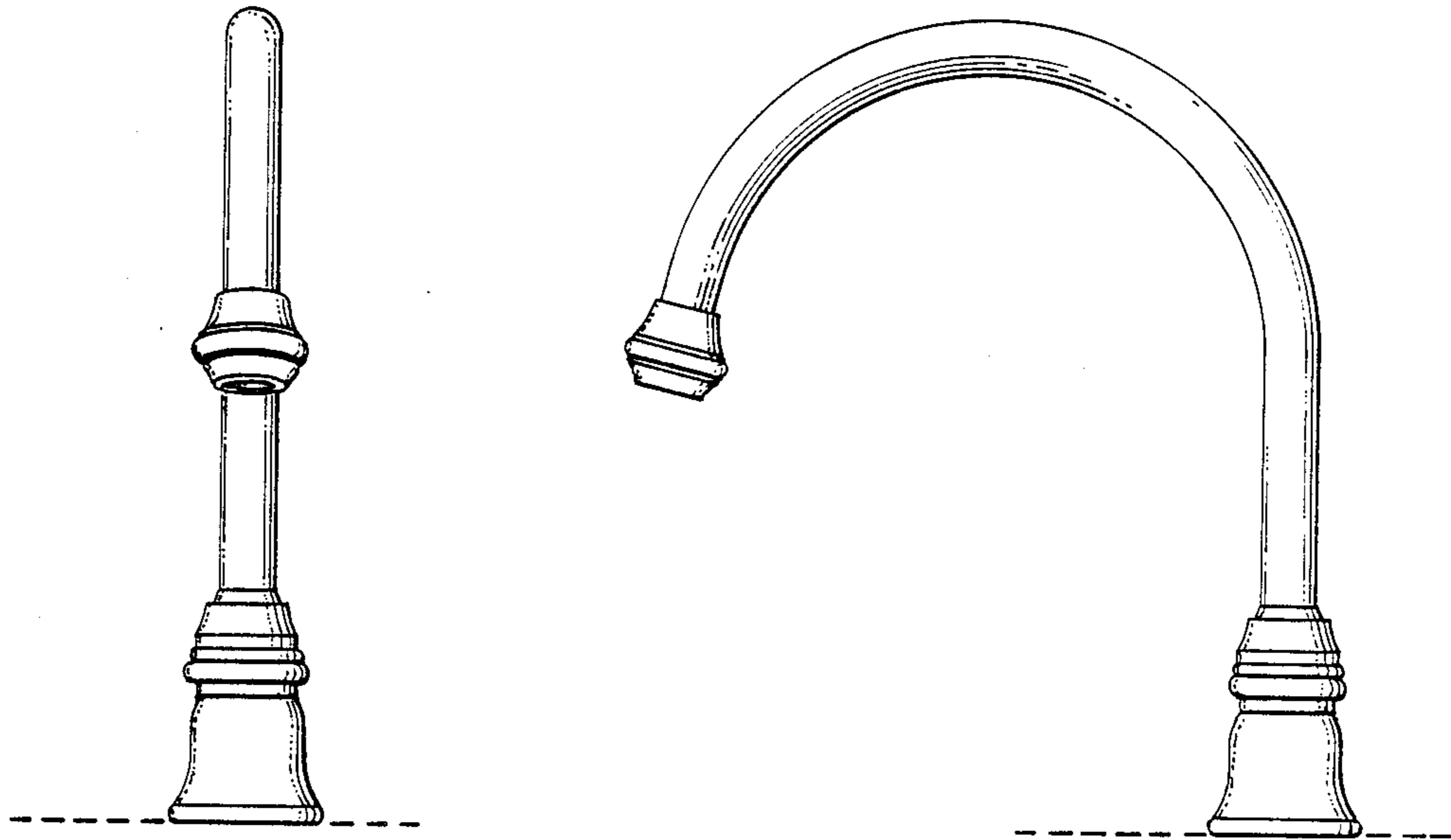


Fig. 1

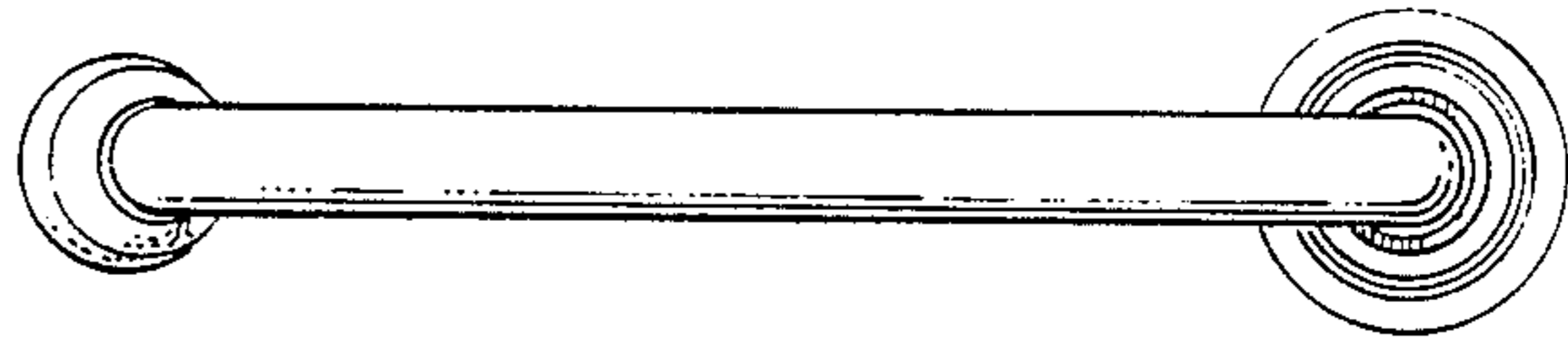


Fig. 2

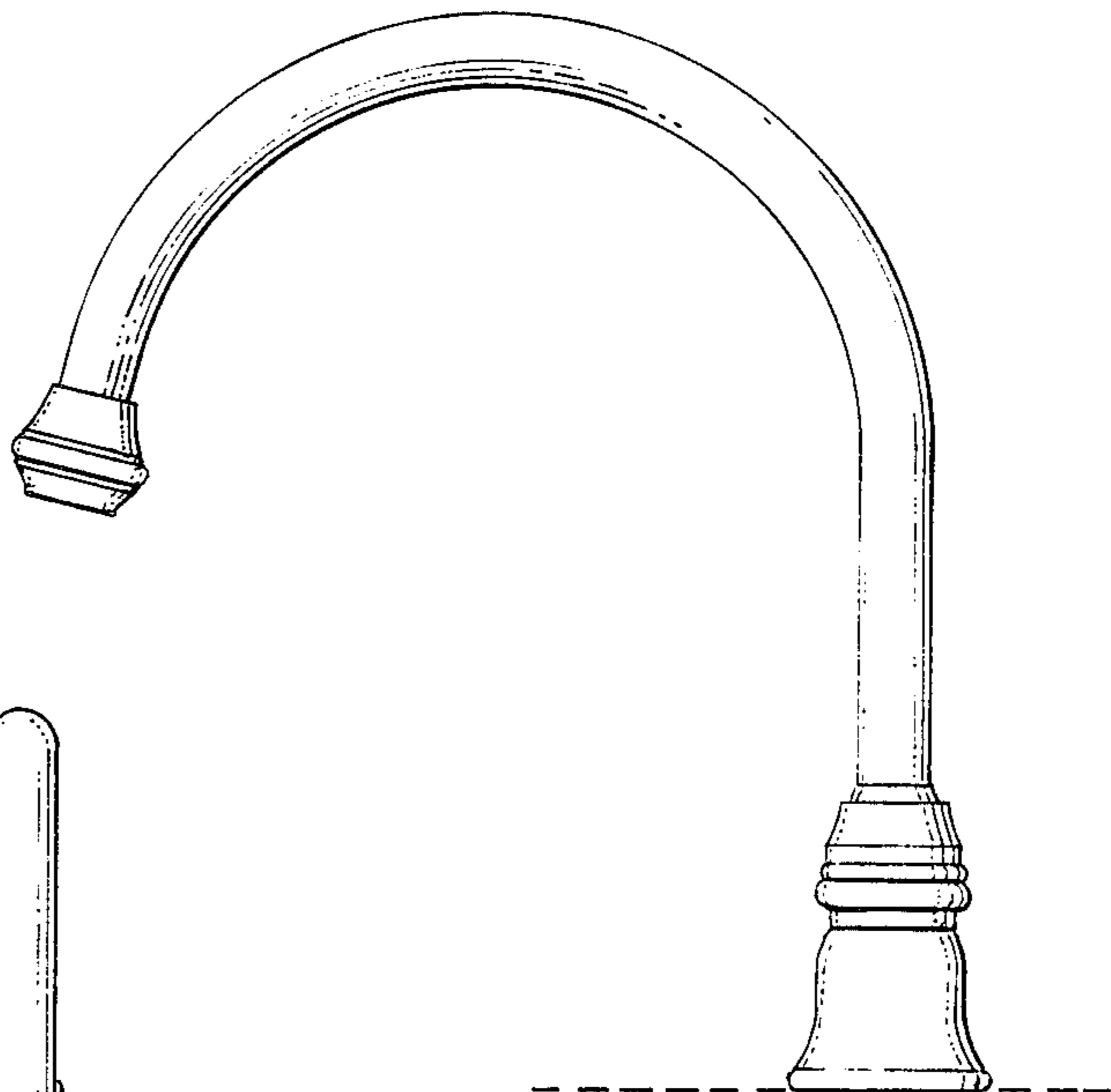
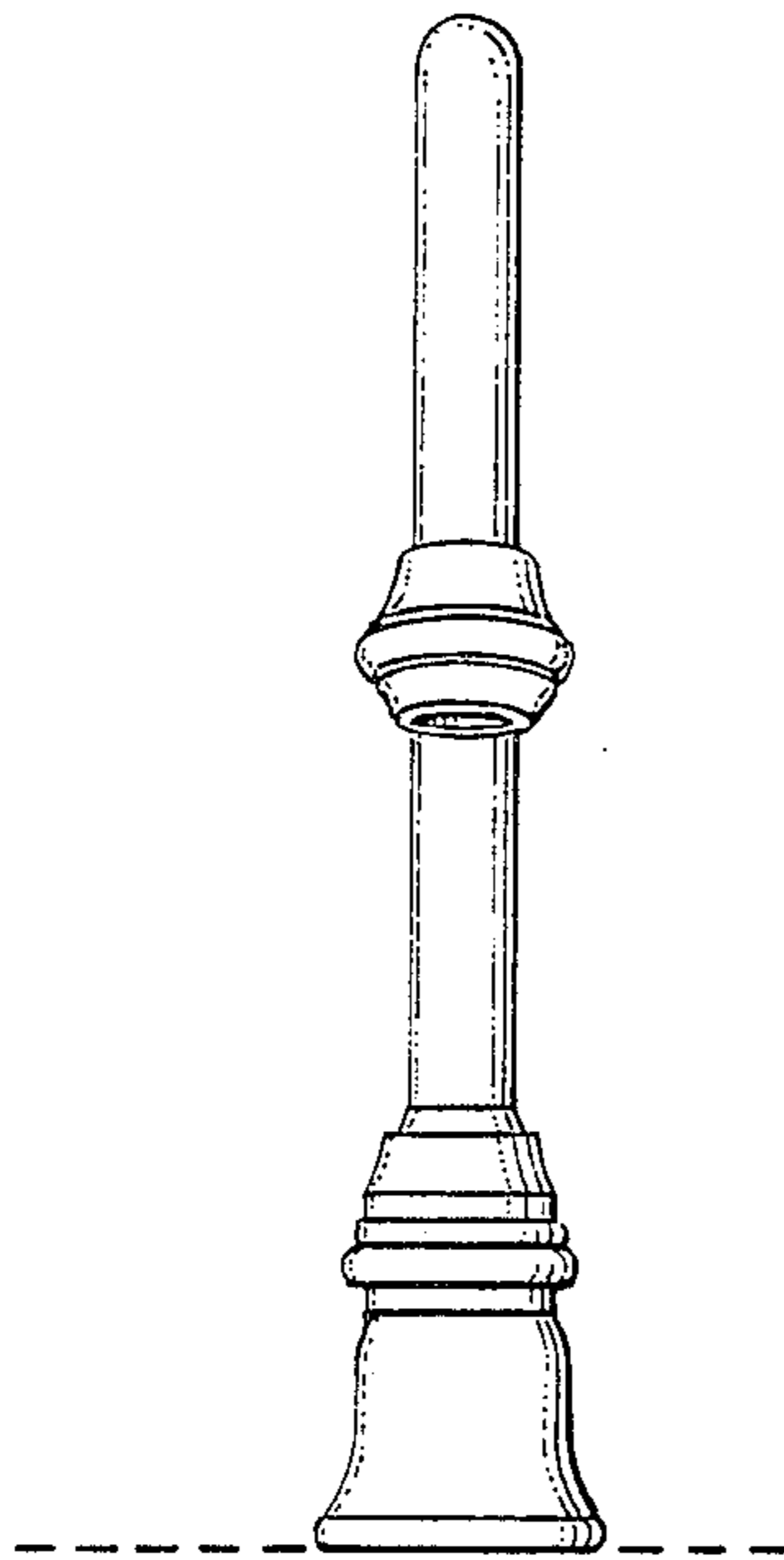


Fig. 3

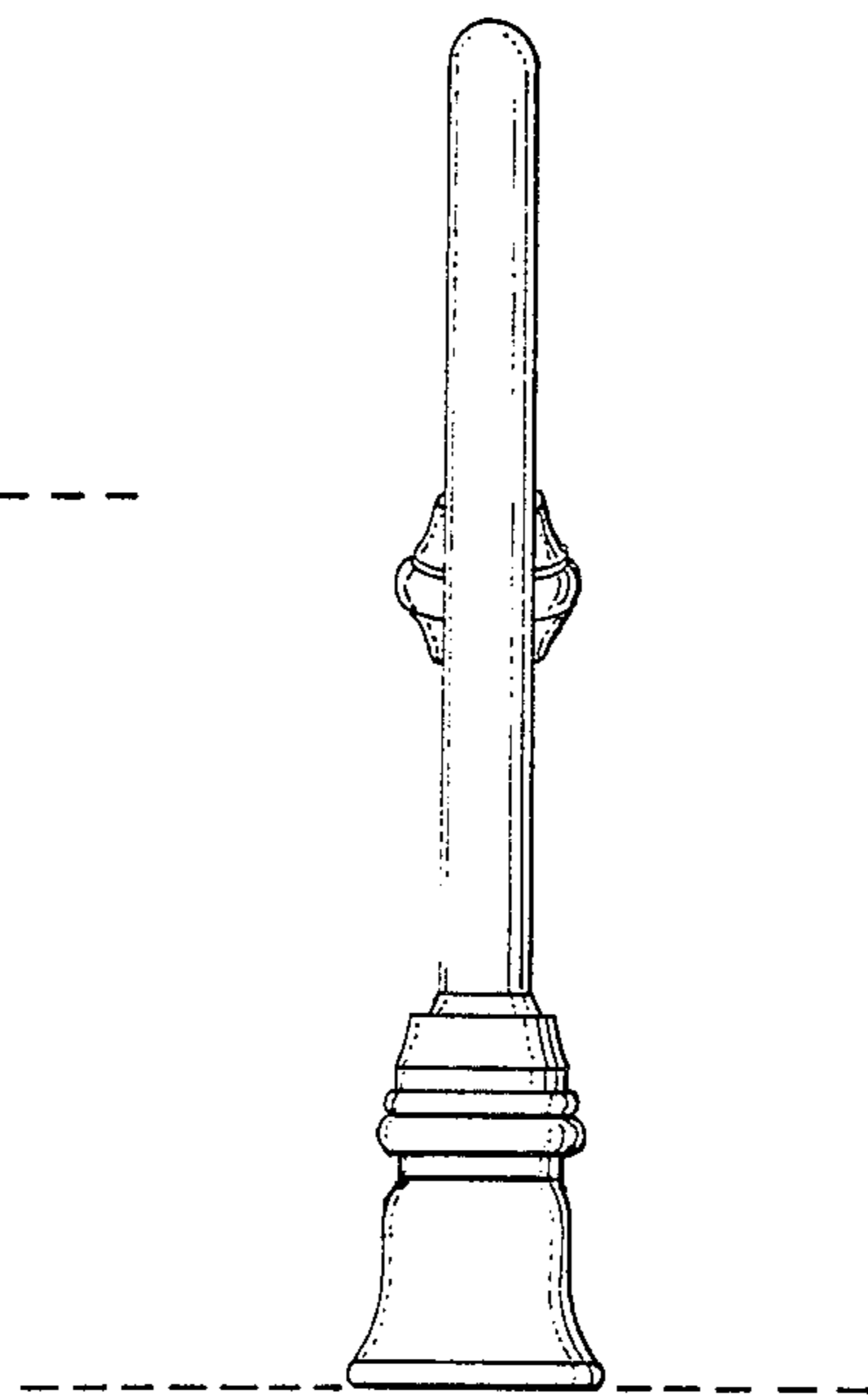


Fig. 4