

[54] SPRAY GUN

4,369,546 1/1983 Zientara ..... 239/526 X

[75] Inventor: Thomas W. Dalton, Los Angeles, Calif.

[73] Assignee: Sharpe Manufacturing Corporation, Los Angeles, Calif.

[\*\*] Term: 14 Years

[21] Appl. No.: 757,801

[22] Filed: Jul. 22, 1985

[52] U.S. Cl. .... D23/226

[58] Field of Search ..... D23/213, 223-226; 239/152-154, 288.3, 288.5, 302, 310, 318, 332, 337, 525-528, DIG. 14

[56] References Cited

U.S. PATENT DOCUMENTS

- D. 117,308 10/1939 Tammen ..... D23/226
- D. 133,223 7/1942 Tammen ..... D23/226
- D. 141,730 7/1945 Baur ..... D23/226

OTHER PUBLICATIONS

Binks Mfg. catalogue 956A (1966), p. 1, Model 62 Spray Gun.

Primary Examiner—Wallace R. Burke  
Assistant Examiner—Brian N. Vinson  
Attorney, Agent, or Firm—Herzig & Yanny

[57] CLAIM

The ornamental design for a spray gun, as shown and described.

DESCRIPTION

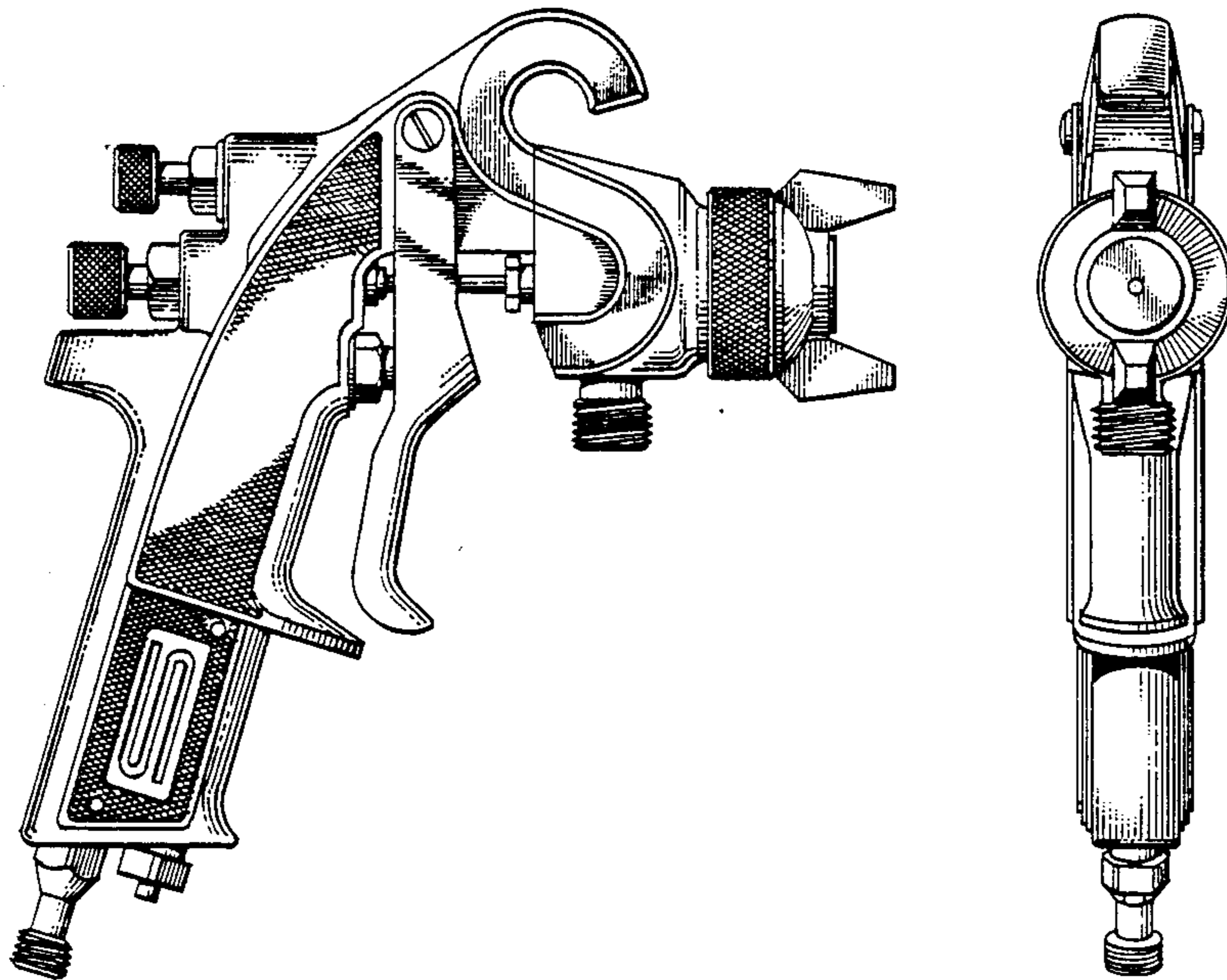
FIG. 1 is a left side elevational view of a spray gun showing my new design, the right side being a mirror image;

FIG. 2 is a front elevational view thereof;

FIG. 3 is a top plan view thereof;

FIG. 4 is a rear elevational view thereof; and,

FIG. 5 is a bottom plan view thereof.



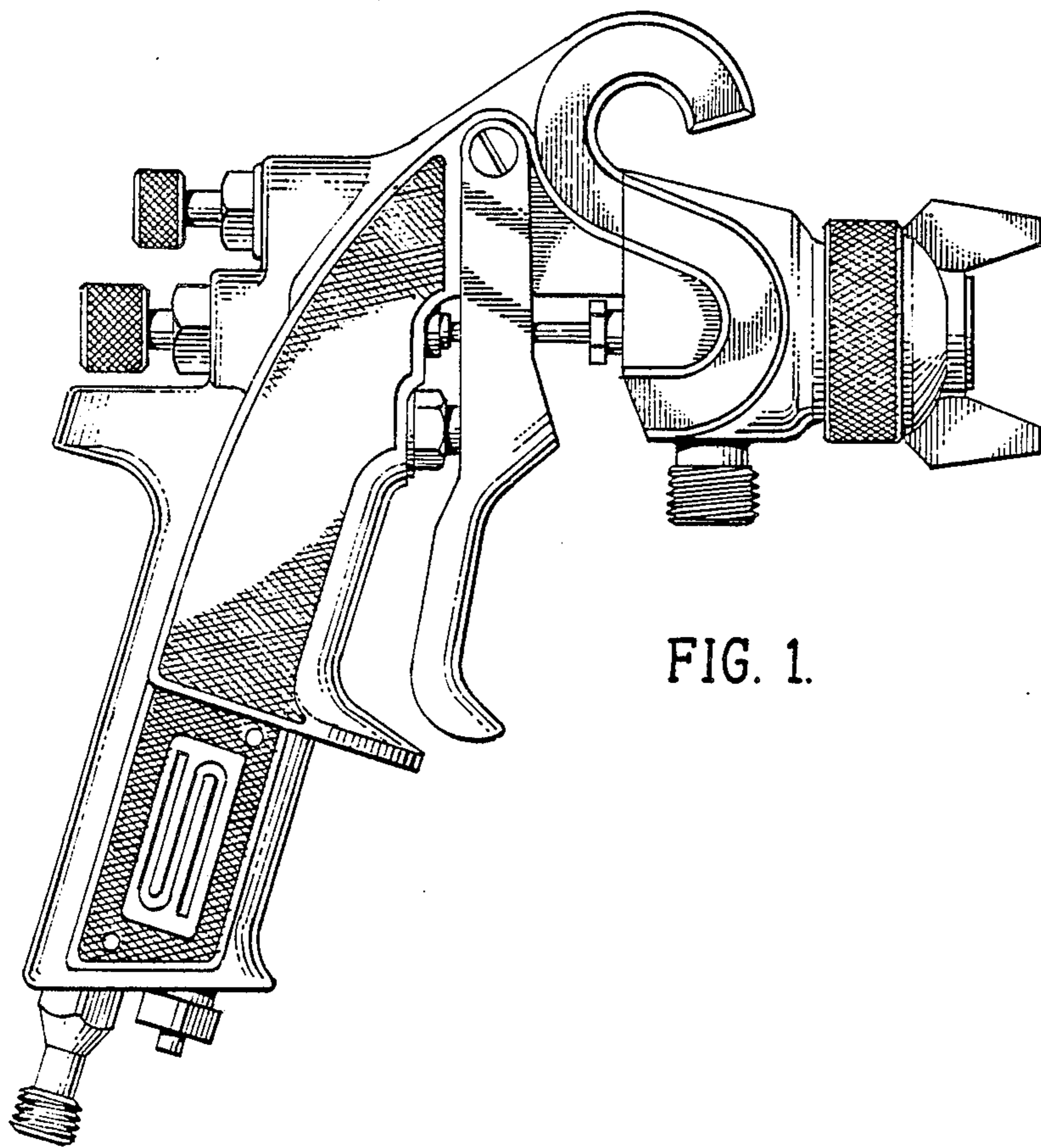


FIG. 1.

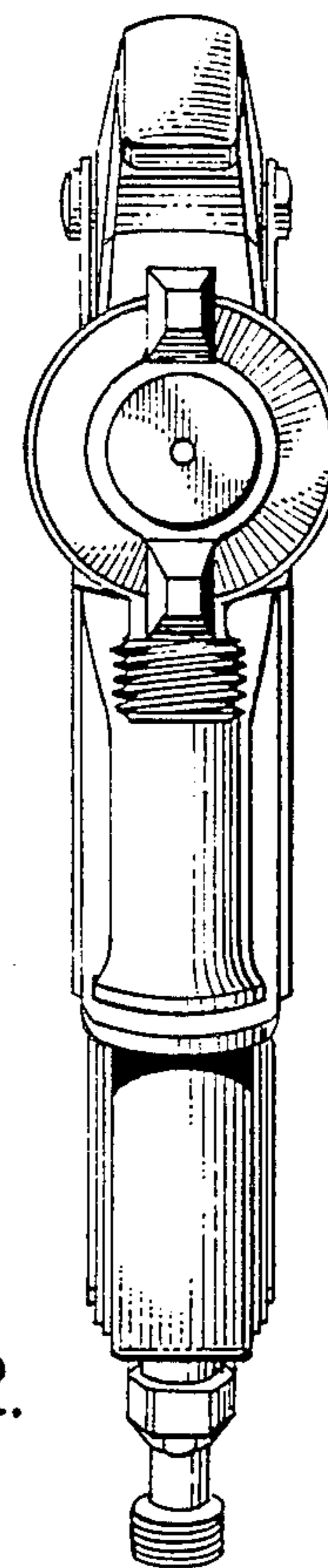


FIG. 2.

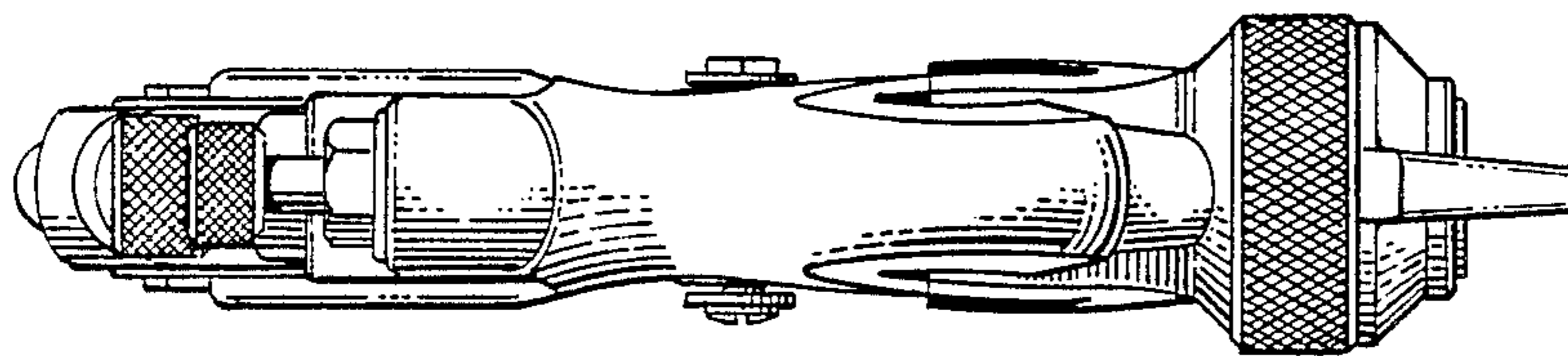


FIG. 3.

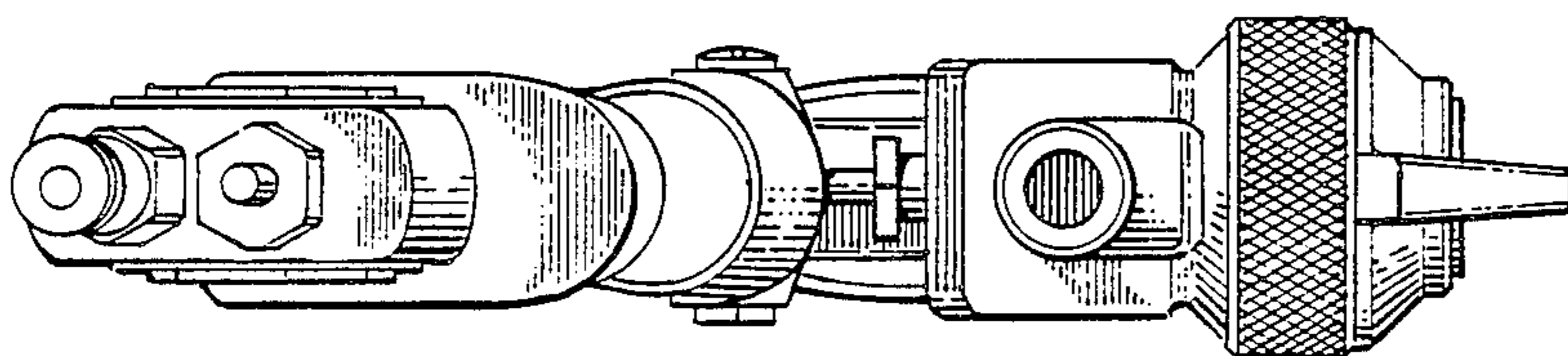


FIG. 5.

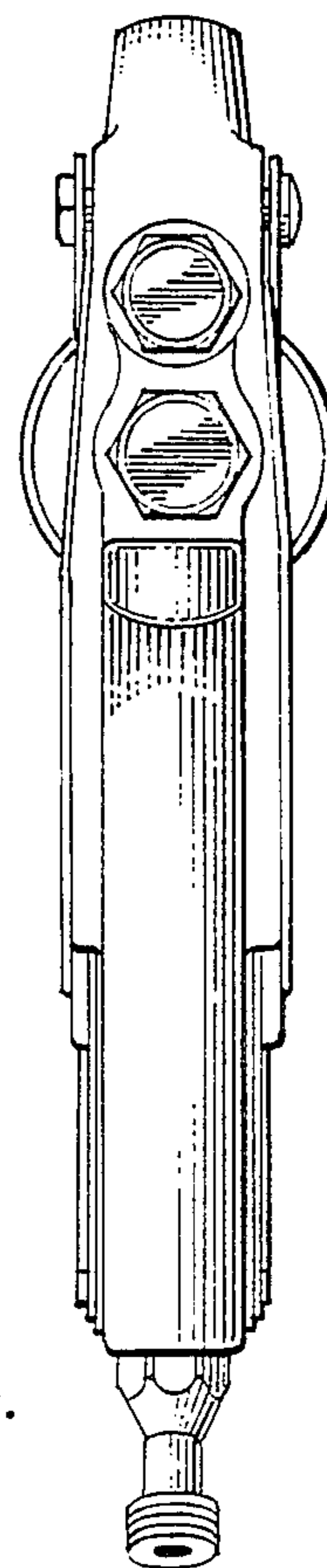


FIG. 4.