

[54] RECONFIGURABLE TOY CASSETTE

[75] Inventor: Takashi Matsuda, Tokyo, Japan

[73] Assignee: Takara Co., Ltd., Tokyo, Japan

[**] Term: 14 Years

[21] Appl. No.: 768,513

[22] Filed: Aug. 22, 1985

[30] Foreign Application Priority Data

Mar. 15, 1985 [JP] Japan 60-10044

[52] U.S. Cl. D21/150; D21/59;
D21/163

[58] Field of Search D21/163, 150;
446/71-76, 376, 487

[56] References Cited

U.S. PATENT DOCUMENTS

- D. 219,986 2/1971 Horwitz et al. D21/154
- D. 283,336 4/1986 Matsuda D21/150
- D. 286,421 10/1986 Maruyama D21/150

Primary Examiner—Melvin B. Feifer
Attorney, Agent, or Firm—Price, Gess & Ubell

[57] CLAIM

The ornamental design for a reconfigurable toy cassette, substantially as shown and described.

DESCRIPTION

FIG. 1 is a front side perspective view of a reconfigurable toy cassette, showing my new design;
 FIG. 2 is a front elevational view thereof;
 FIG. 3 is a right elevational side view thereof;
 FIG. 4 is a left elevational side view thereof;
 FIG. 5 is a rear elevational view thereof;
 FIG. 6 is a top plan view thereof;
 FIG. 7 is a bottom plan view thereof;
 FIG. 8 is a front side perspective view of the toy reconfigured into a lion configuration;
 FIG. 9 is a front elevational view thereof;
 FIG. 10 is a right elevational side view thereof;
 FIG. 11 is a left elevational side view thereof;
 FIG. 12 is a rear elevational view thereof;
 FIG. 13 is a top plan view thereof; and
 FIG. 14 is a bottom plan view thereof.

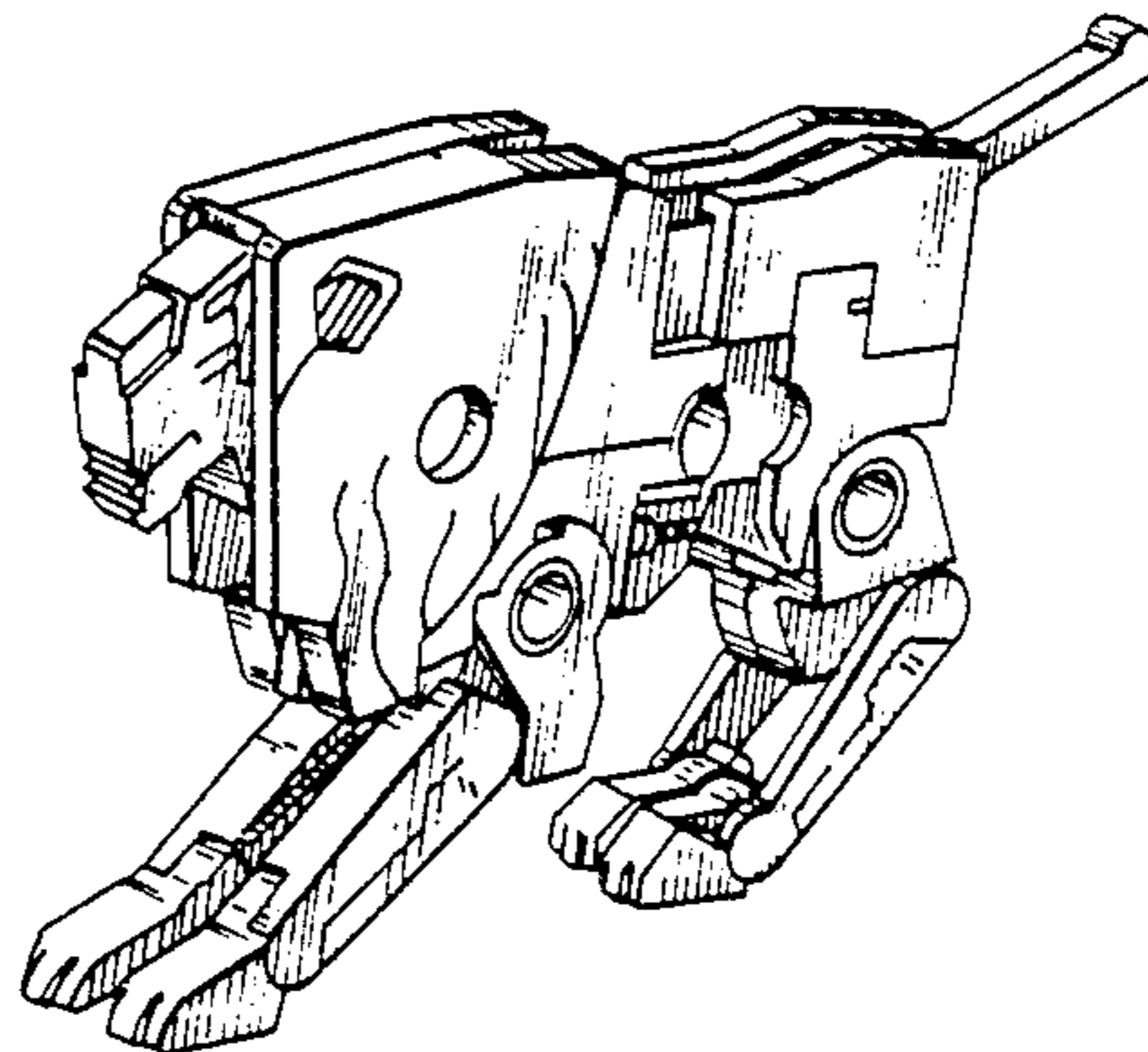
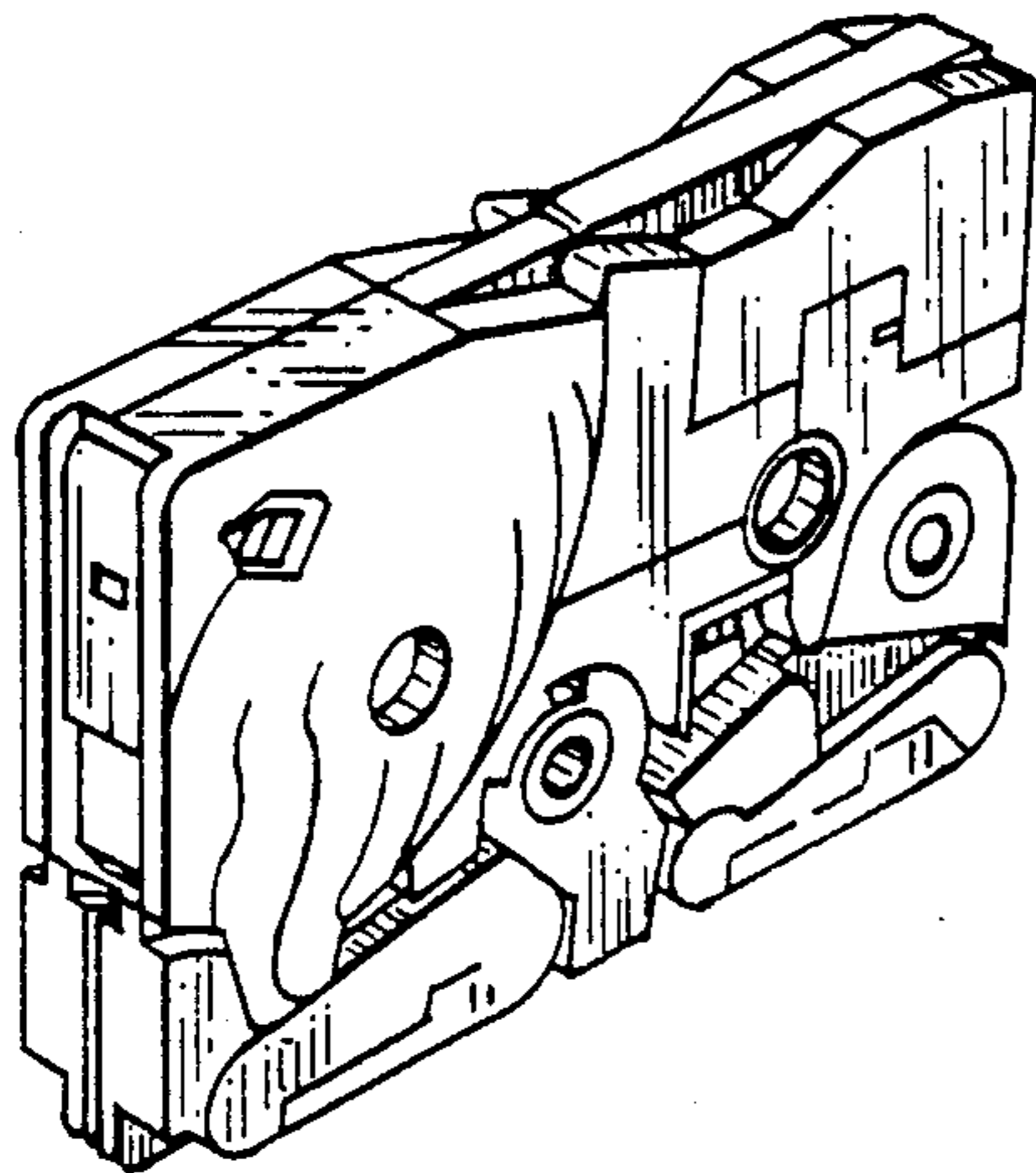


FIG. 1

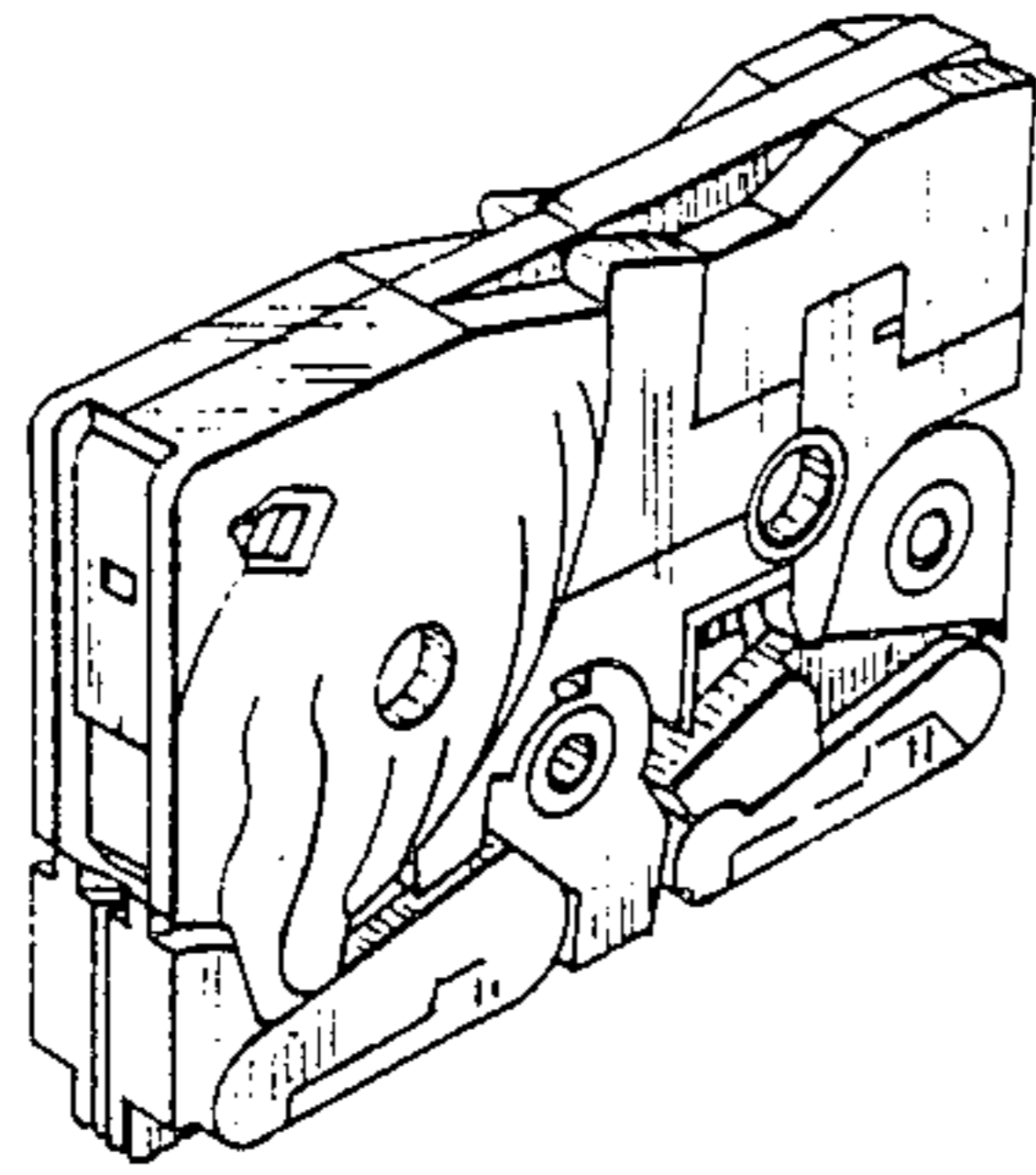


FIG. 2

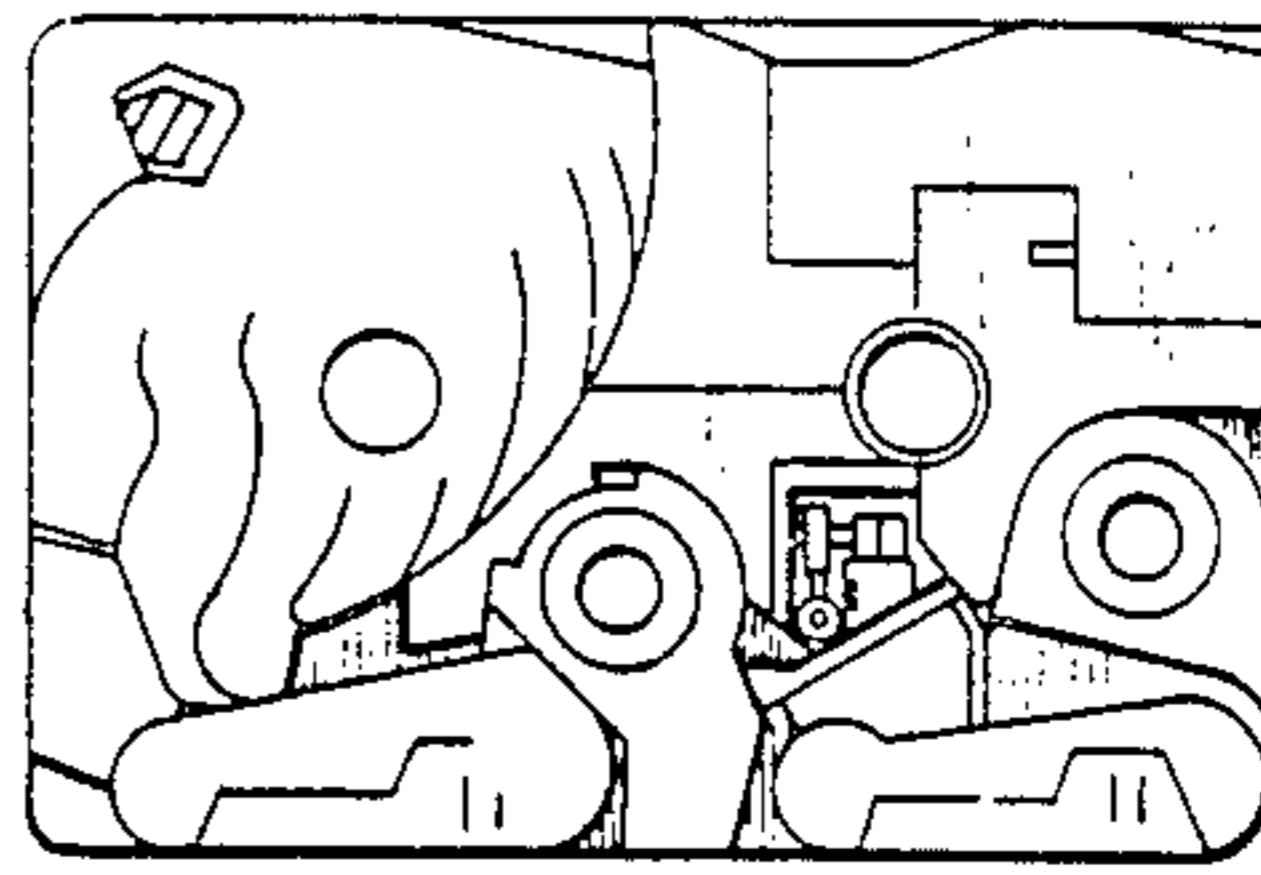


FIG. 3



FIG. 4

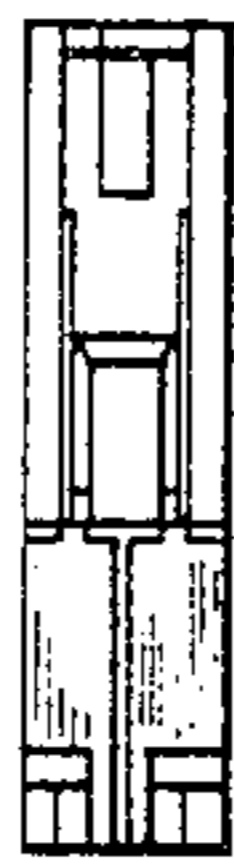


FIG. 5

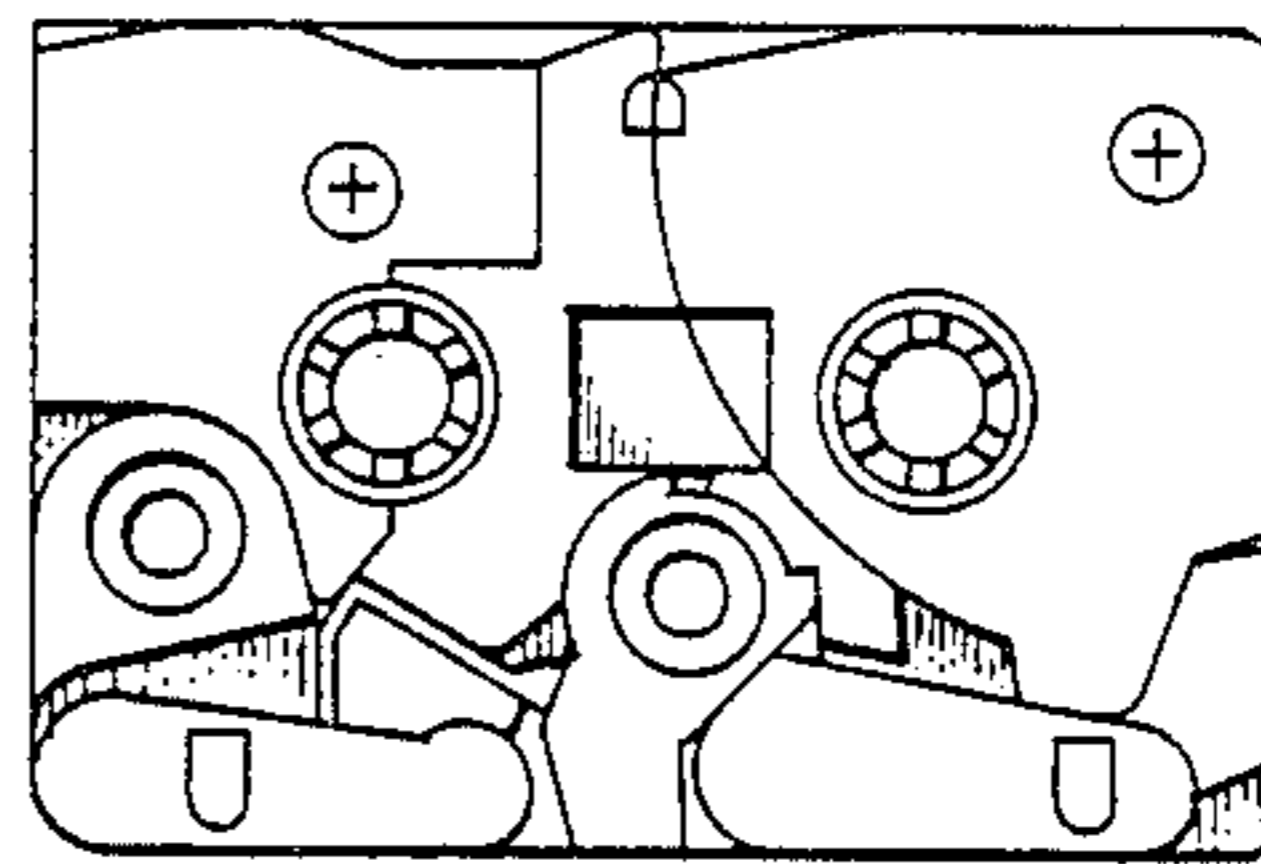
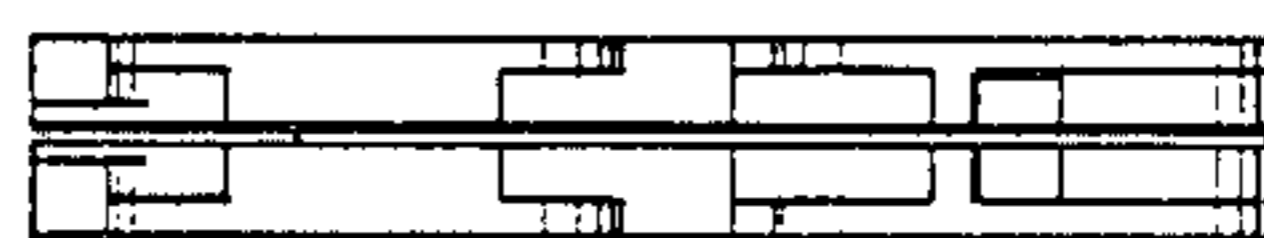


FIG. 6



FIG. 7



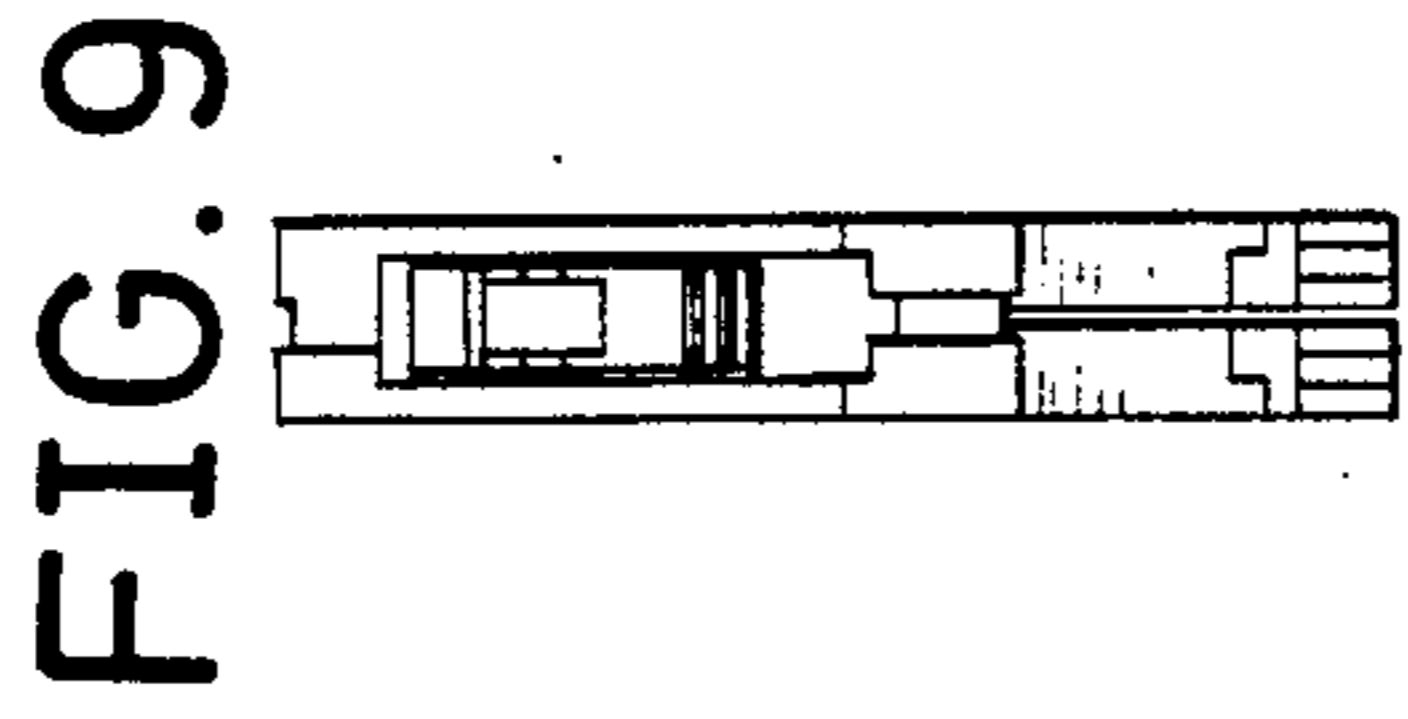
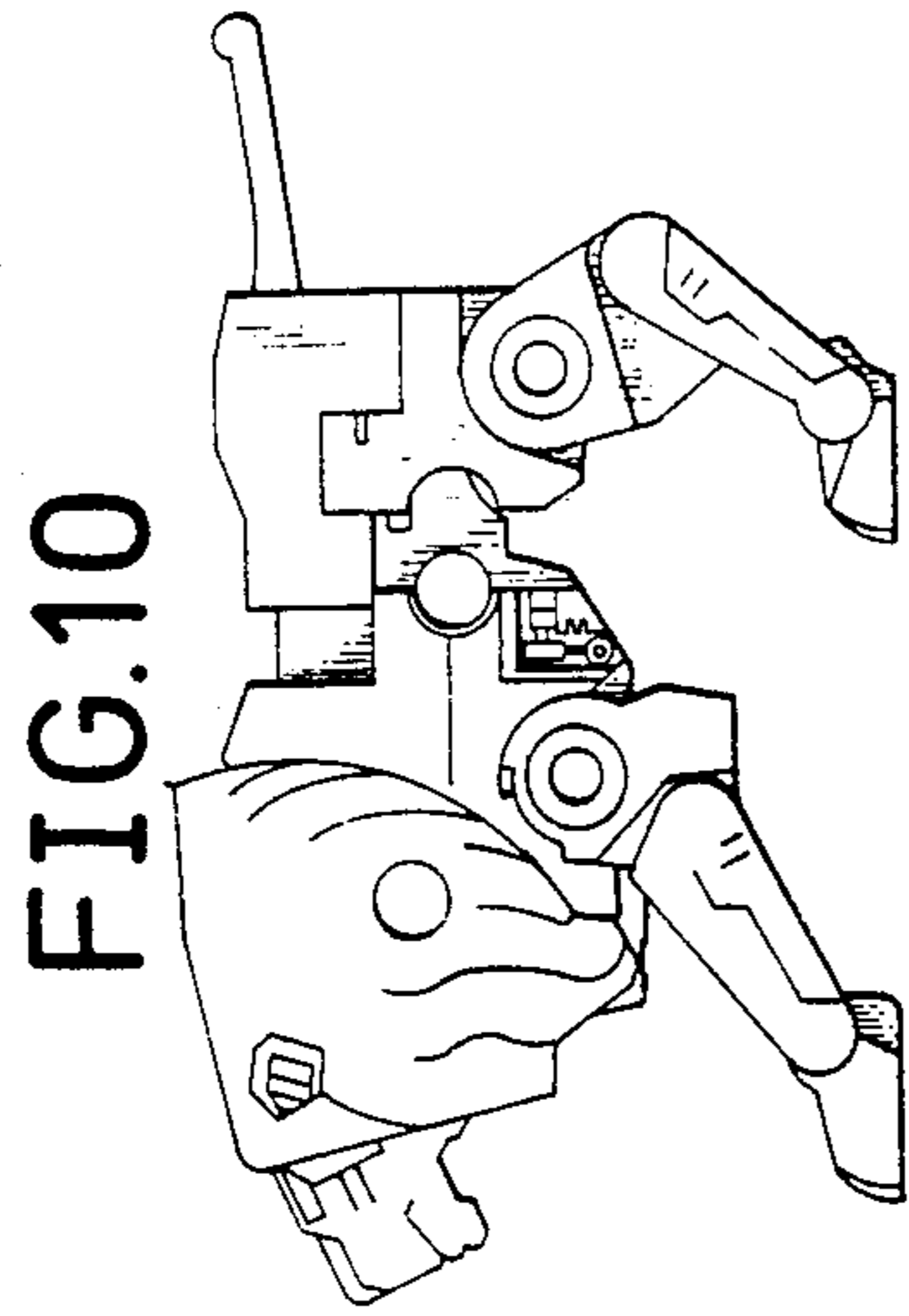


FIG. 8

FIG. 9

FIG. 10

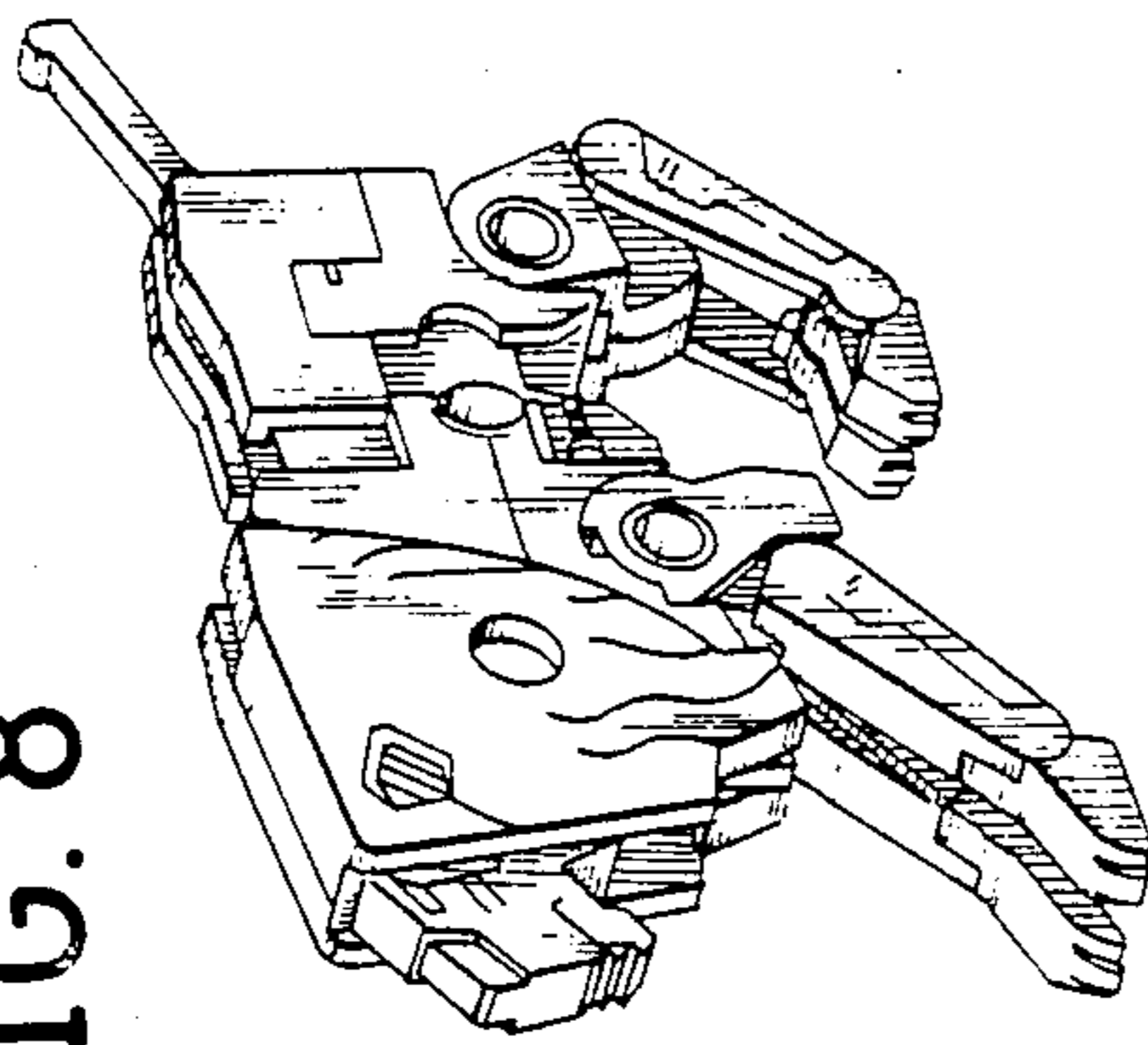


FIG. 11

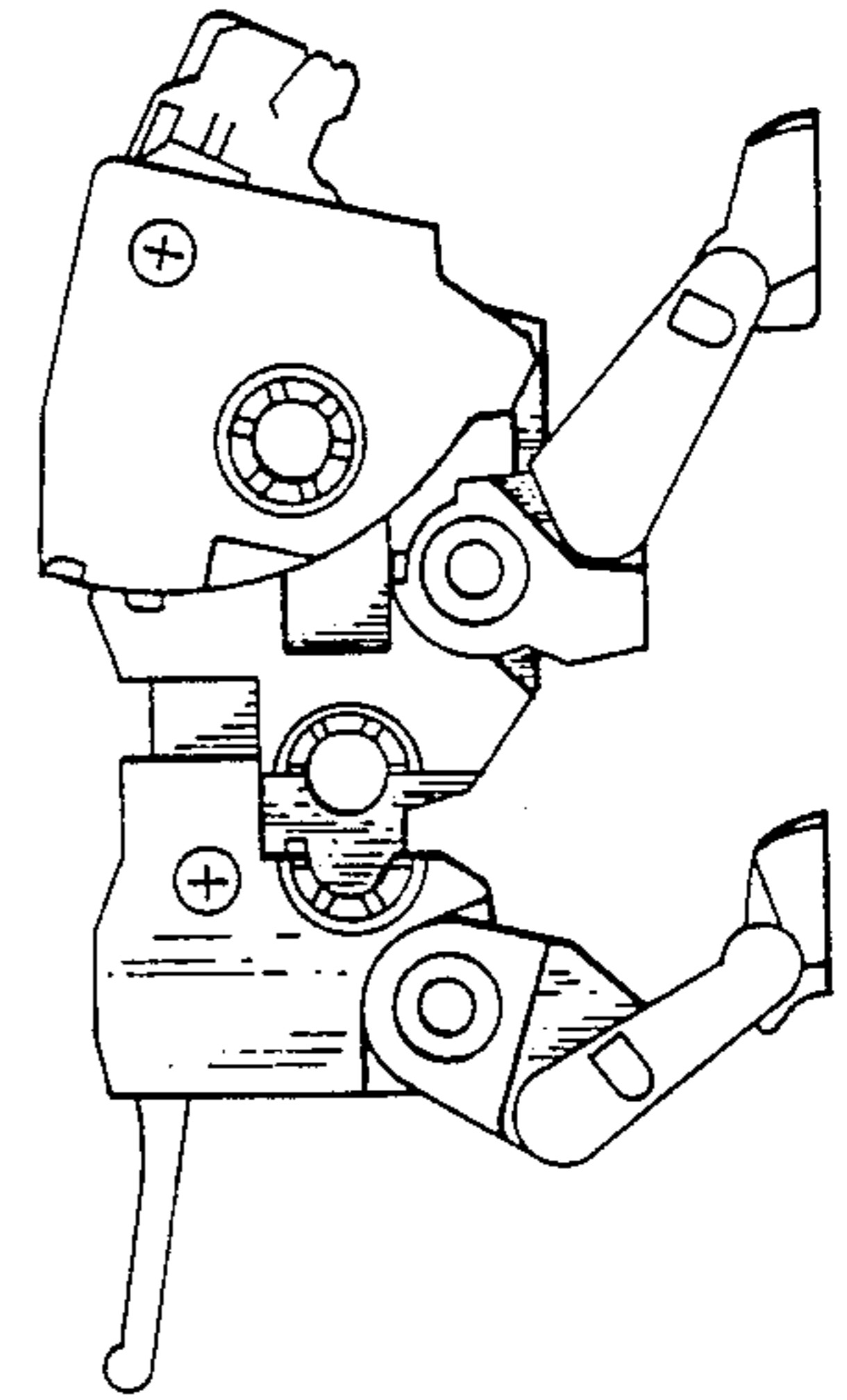


FIG. 12

FIG. 13

FIG. 14

