

[54] COMBINED STACKING LETTER TRAY WITH ORGANIZER

D. 290,268 6/1987 Tsang et al. D19/90
D. 290,852 7/1987 Wang D19/90

[75] Inventor: Donald B. Rabig, Elizabeth, N.J.

Primary Examiner—Charles A. Rademaker
Attorney, Agent, or Firm—Peter L. Berger

[73] Assignee: Sterling Plastics Co., Mountainside, N.J.

[57] CLAIM

[**] Term: 14 Years

The ornamental design for a combined stacking letter tray with organizer, substantially as shown and described.

[21] Appl. No.: 775,688

[22] Filed: Sep. 13, 1985

DESCRIPTION

[52] U.S. Cl. D19/92; D19/90

[58] Field of Search D19/86, 90, 92, 69, D19/67, 75-78; D10/2; 211/11, 126

FIG. 1 is a perspective view of a combined stacking letter tray with organizer, showing my new design; FIG. 2 is a front elevational view thereof; FIG. 3 is a top plan view thereof; FIG. 4 is a right side elevational view thereof, the side opposite being a mirror image; FIG. 5 is a rear elevational view thereof; and, FIG. 6 is a bottom plan view thereof.

[56] References Cited

U.S. PATENT DOCUMENTS

D. 270,256 8/1983 Sankey D19/90
D. 290,141 6/1987 Rabig D19/90

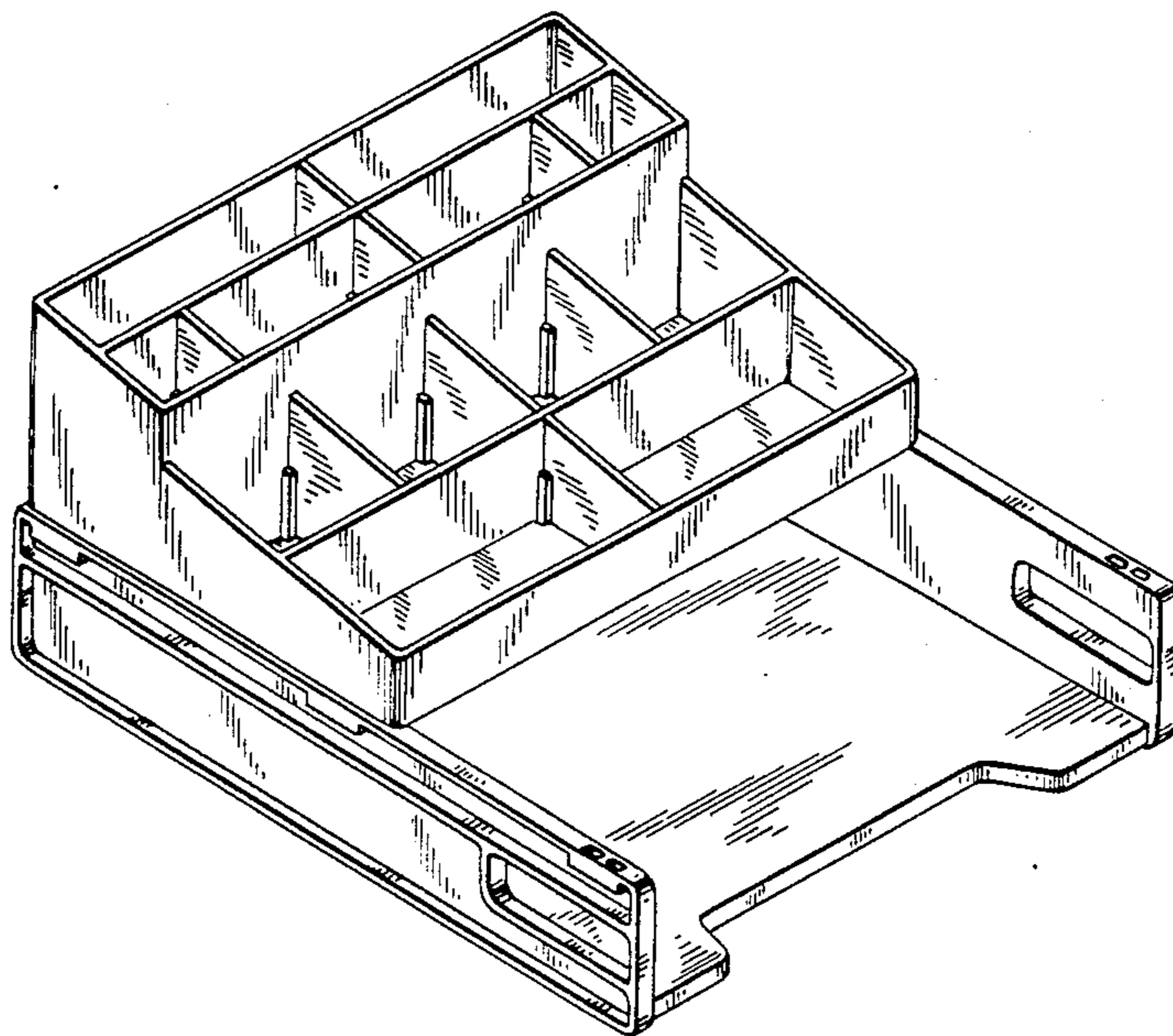


FIG. 1

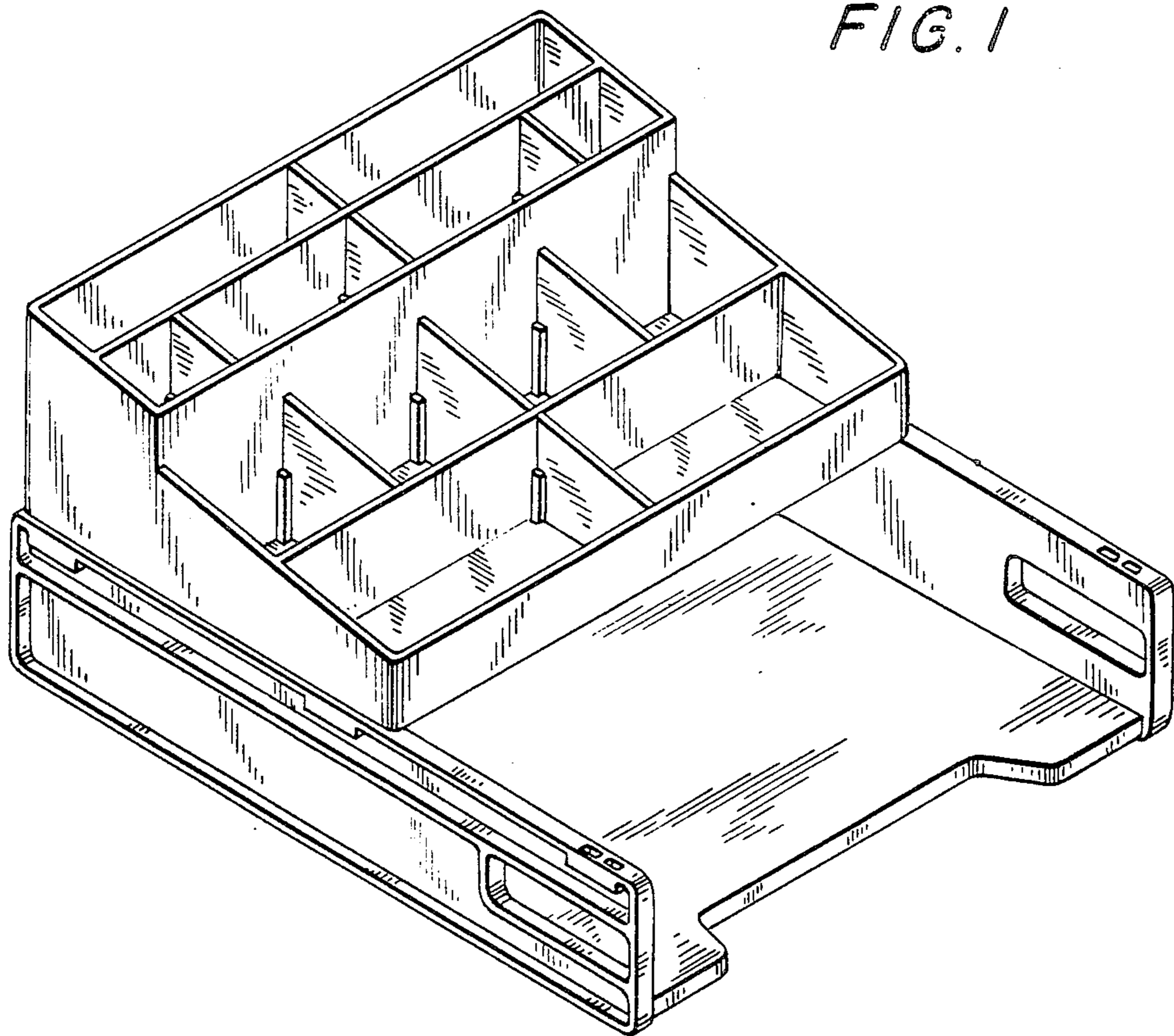
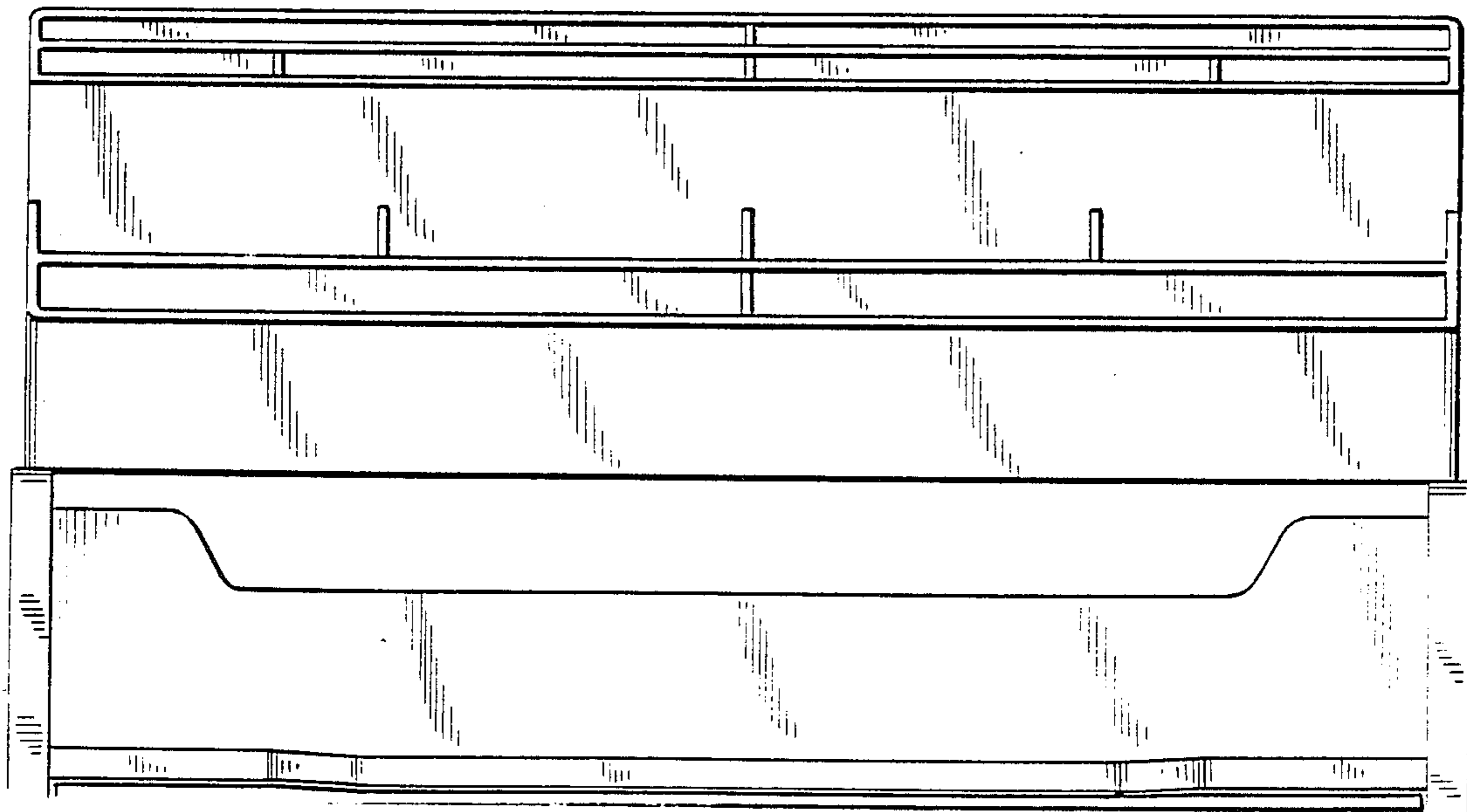


FIG. 2



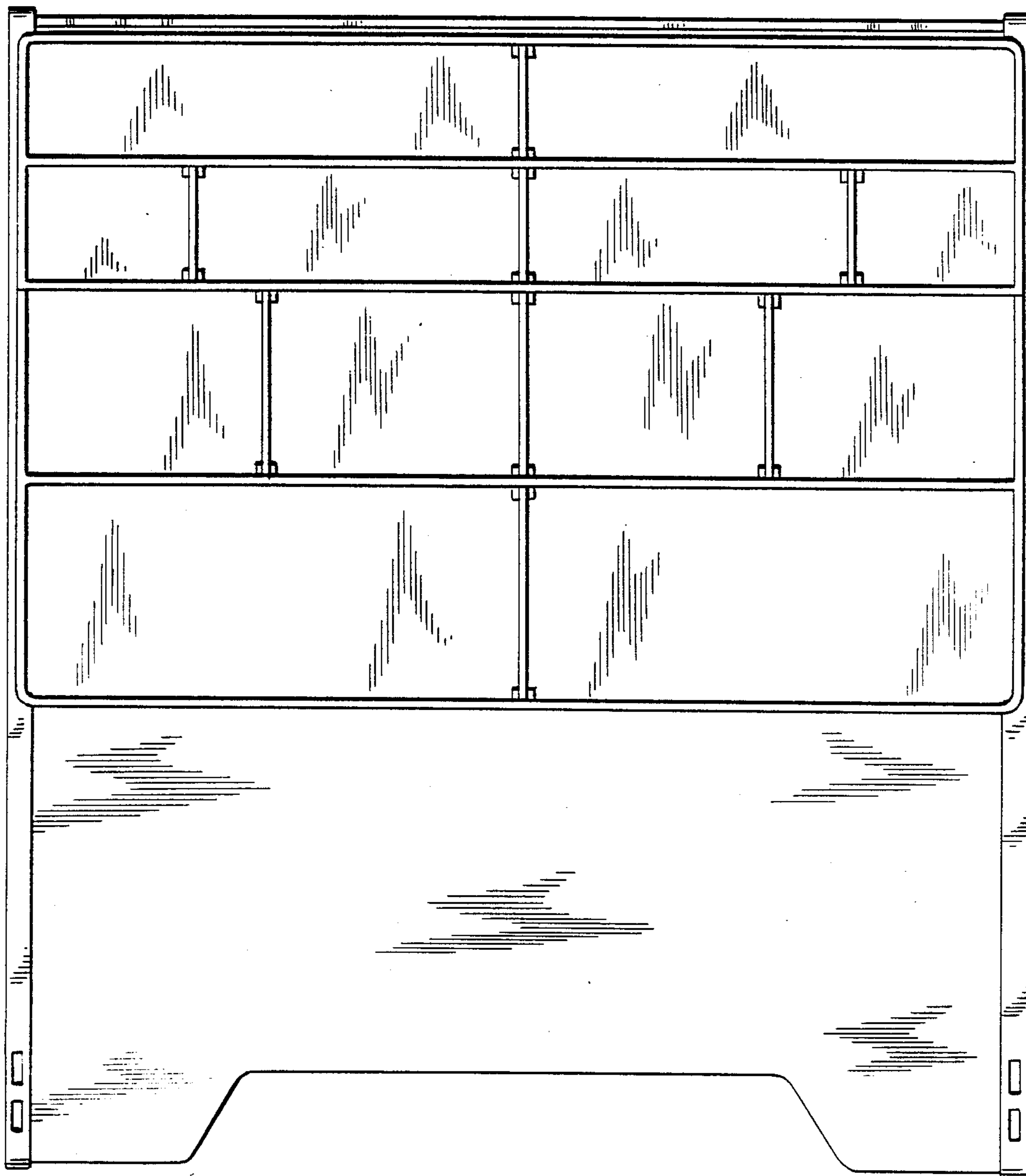


FIG. 3

FIG. 4

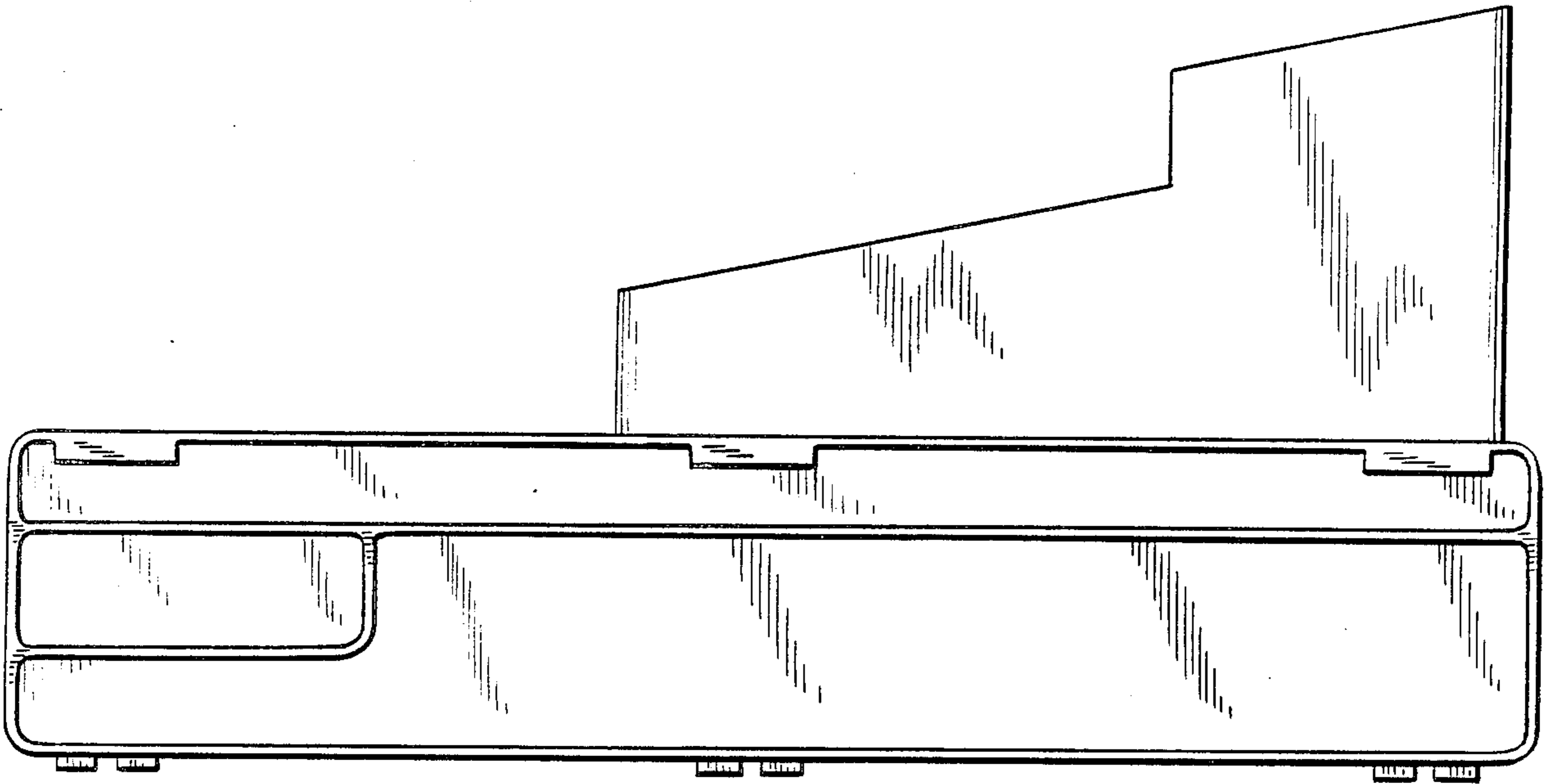
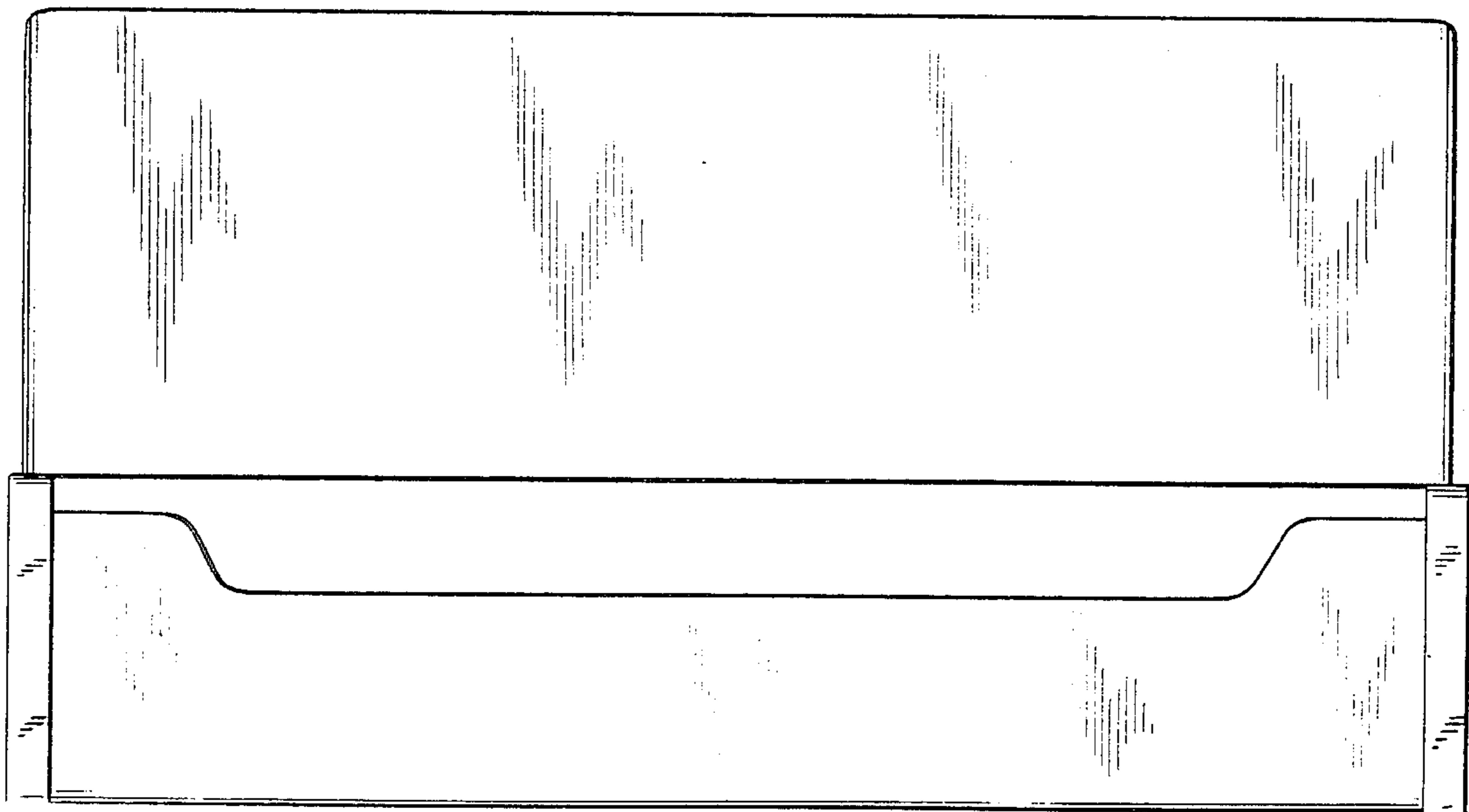


FIG. 5



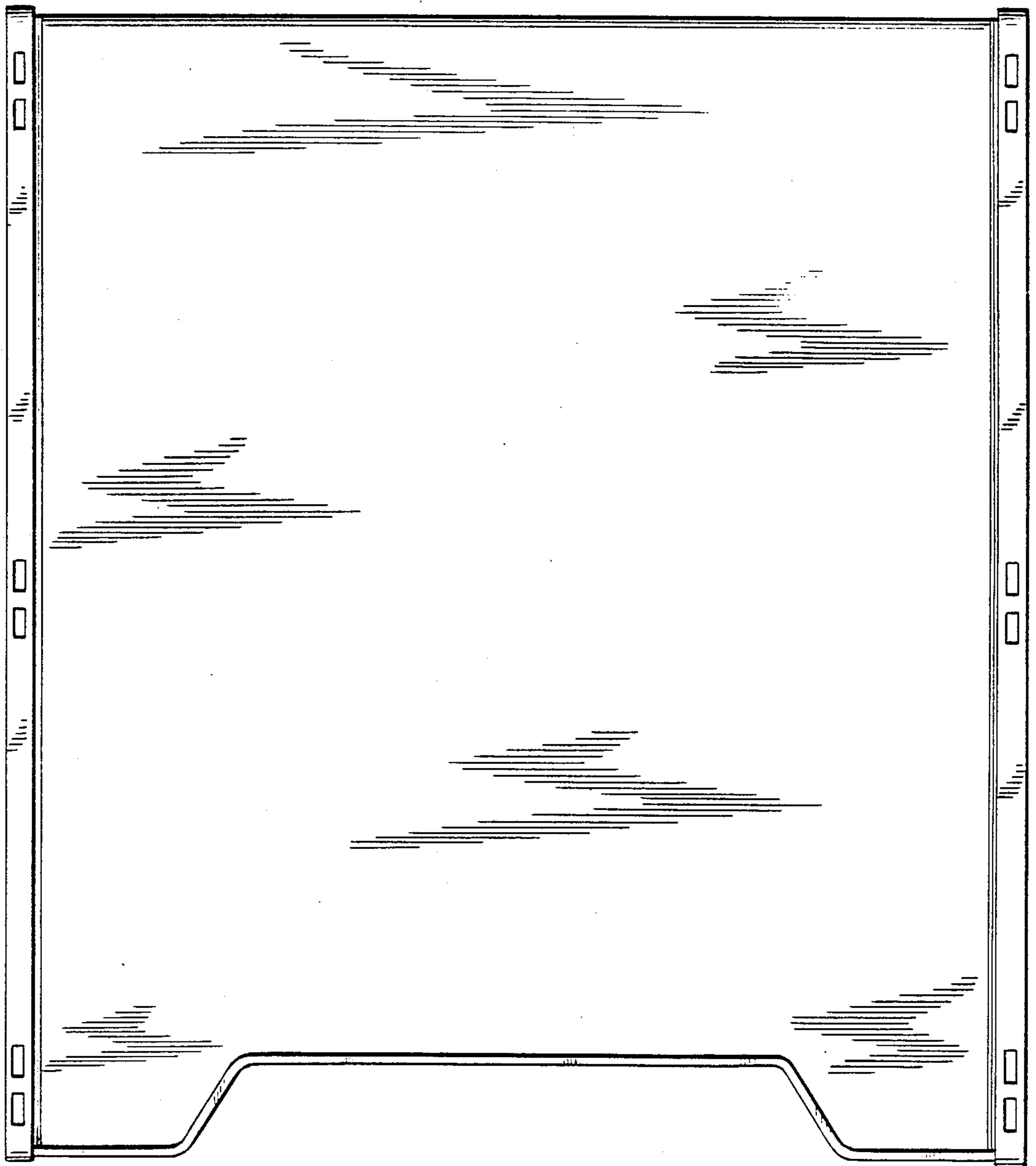


FIG. 6