

United States Patent [19]

Reinke

[11] Patent Number: Des. 295,535

[45] Date of Patent: ** May 3, 1988

[54] CASING FOR A HAND HELD LABELLER

[75] Inventor: Wolfgang Reinke, Rothenberg, Fed. Rep. of Germany

[73] Assignee: Esselte Pendaflex Corporation, Garden City, N.Y.

[**] Term: 14 Years

[21] Appl. No.: 715,382

[22] Filed: Mar. 25, 1985

[30] Foreign Application Priority Data

Sep. 26, 1984 [DE] Fed. Rep. of Germany ... MR 23 302

[52] U.S. Cl. D18/19; D18/2

[58] Field of Search D18/14, 15, 19, 2; 101/288; 156/384, DIG. 48, DIG. 49

[56] References Cited

U.S. PATENT DOCUMENTS

D. 265,568 7/1982 Kalifa D18/19

D. 269,525	6/1983	Reinke	D18/19
D. 272,365	1/1984	Becker et al.	D18/19
D. 278,832	5/1985	Wada	D18/19
4,407,692	10/1983	Torbeck	101/288 X
4,623,418	11/1986	Gombrich et al.	156/384 X

Primary Examiner—Louis S. Zarfaz
Attorney, Agent, or Firm—Gerald J. Ferguson, Jr.;
Michael P. Hoffman; Michael J. Foycik, Jr.

[57] CLAIM

The ornamental design for a casing for a hand held labeller, as shown.

DESCRIPTION

FIG. 1 is a side elevational view of a casing for a hand held labeller showing my new design.

FIG. 2 is a top plan view thereof.

FIG. 3 is a bottom plan view thereof.

FIG. 4 is an elevational view thereof from the other side.

FIG. 5 is a front elevational view thereof.

FIG. 6 is a rear elevational view thereof.

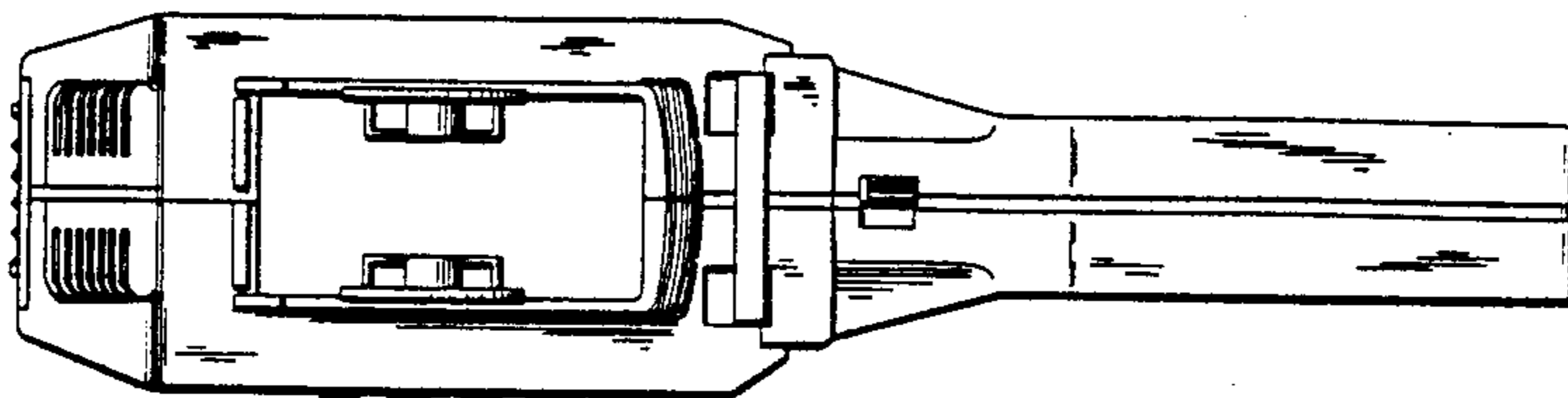
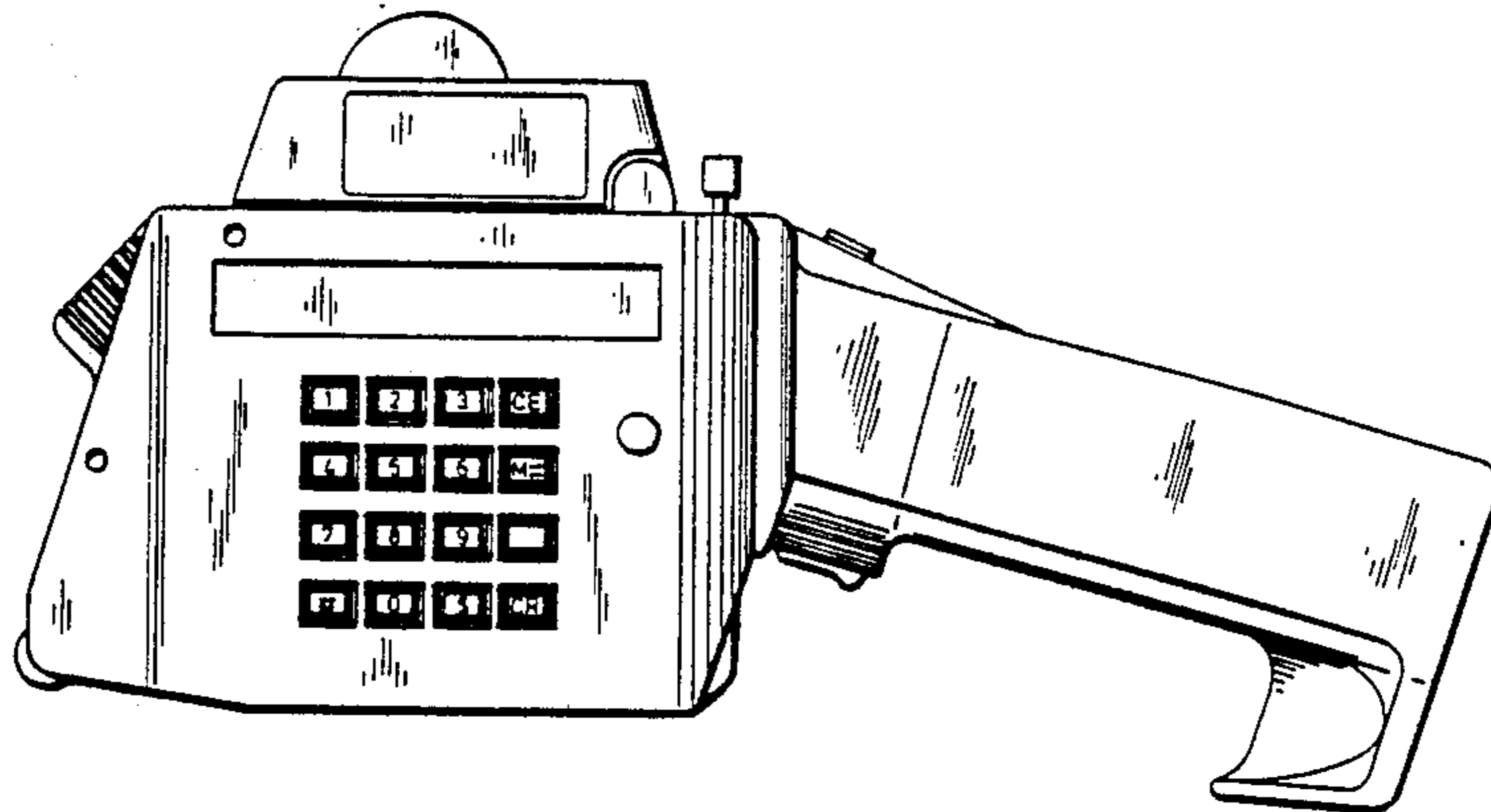


FIG. 3

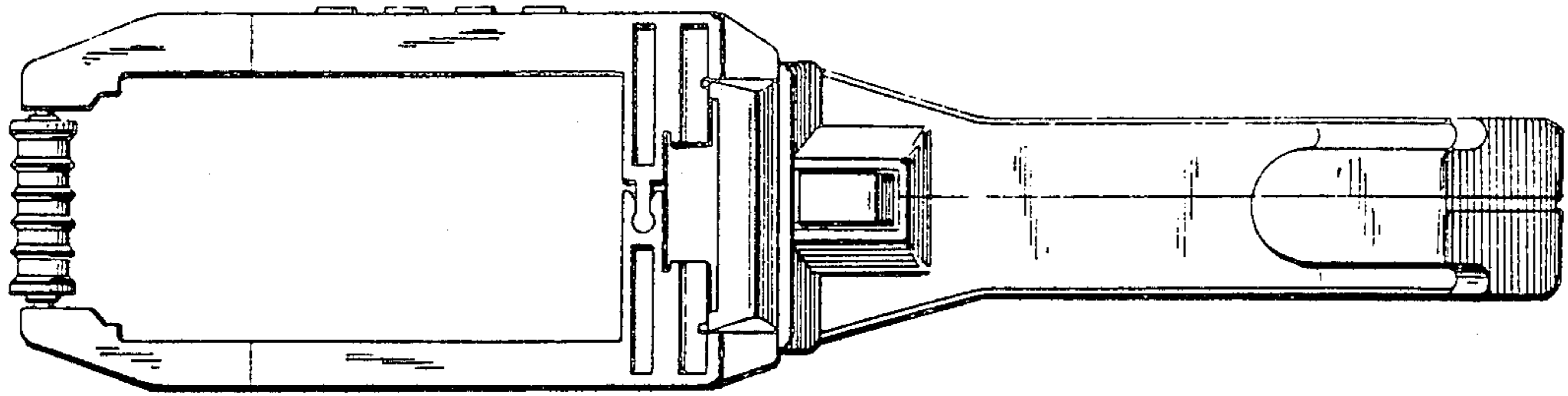


FIG. 1

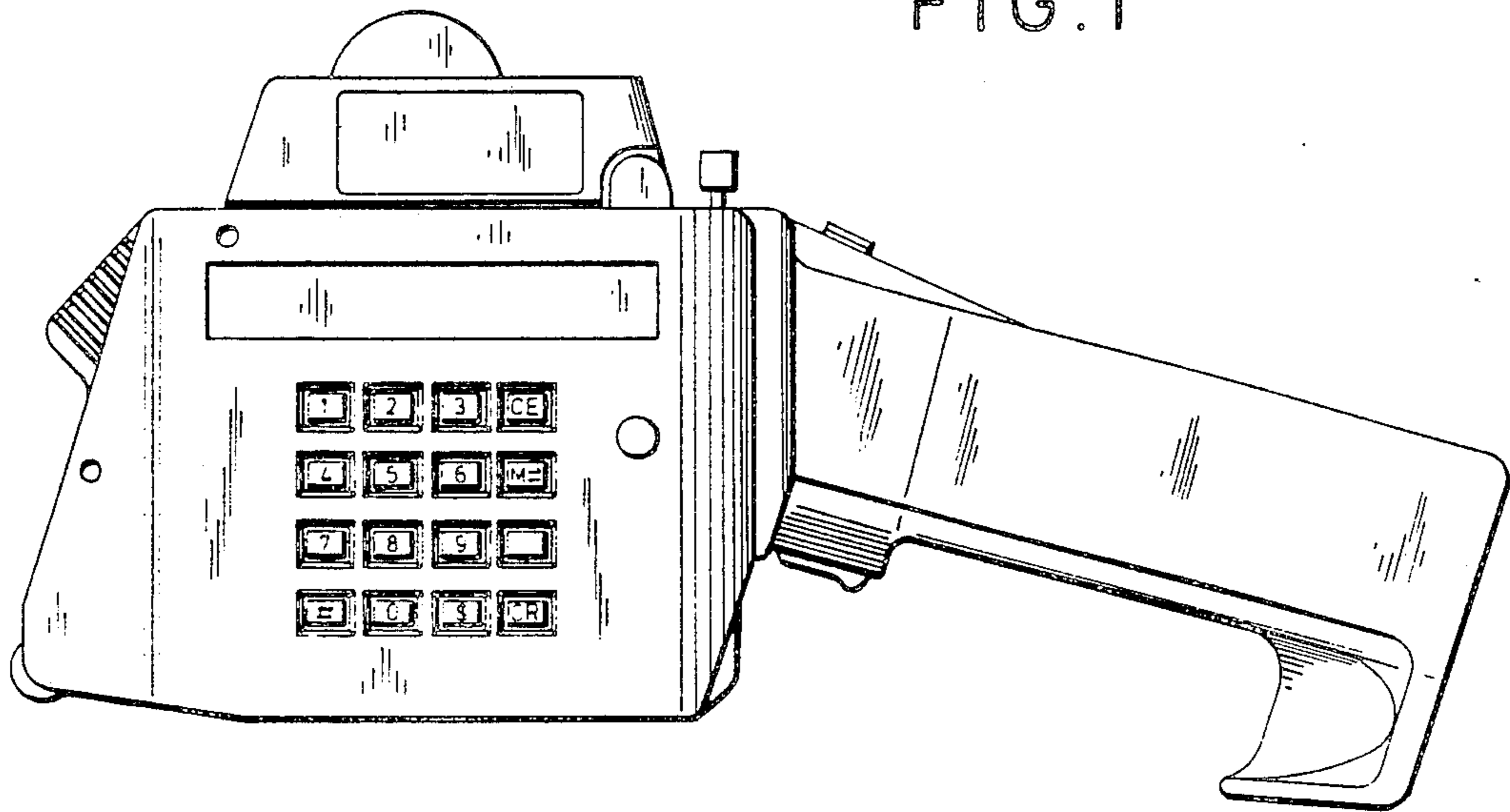


FIG. 2

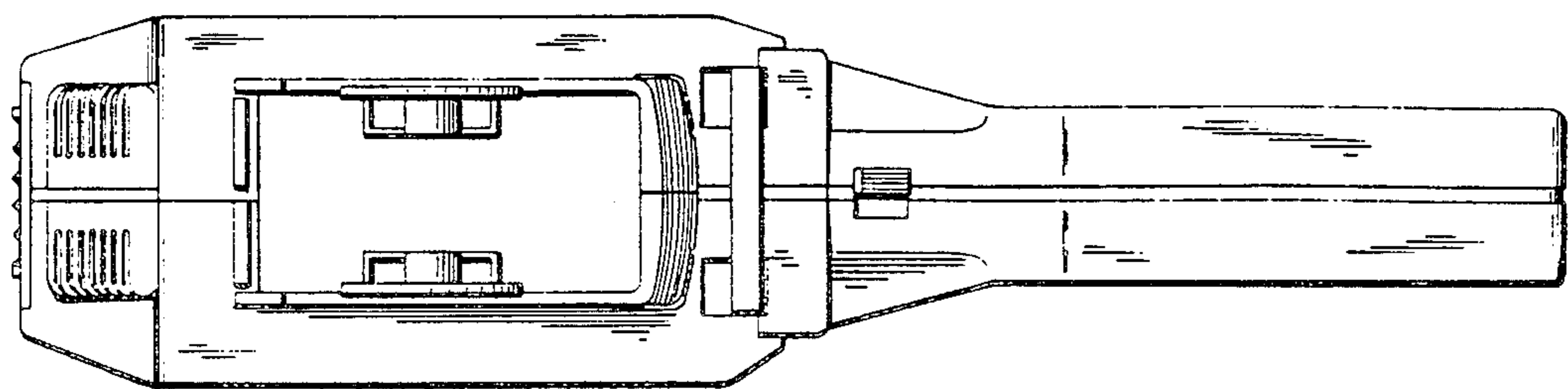


FIG. 4

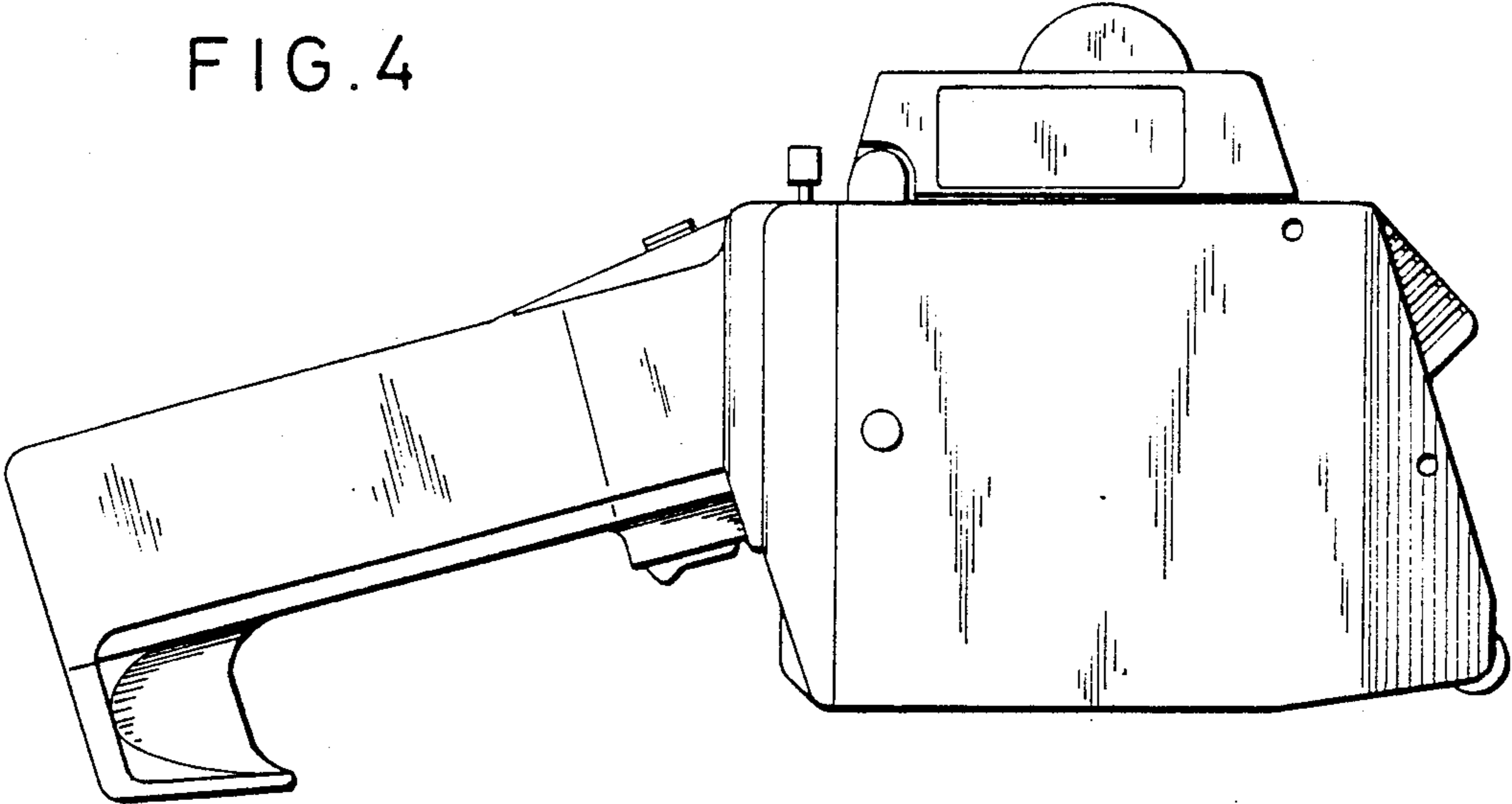


FIG. 5

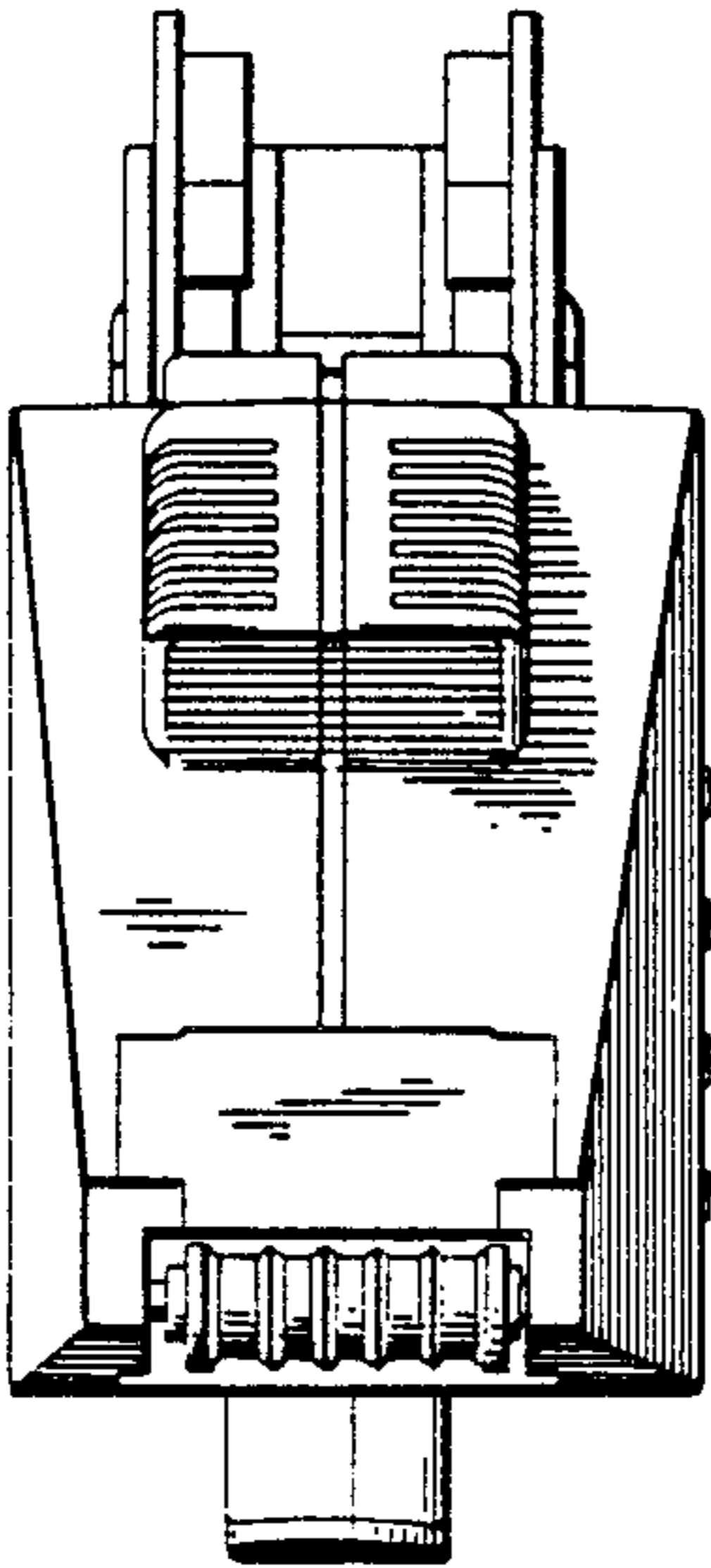


FIG. 6

