

[54] AUTOMATIC ORIGINAL FEEDER FOR COPYING MACHINE

[75] Inventor: Mikio Kosako, Osaka, Japan

[73] Assignee: Sharp Corporation, Osaka, Japan

[**] Term: 14 Years

[21] Appl. No.: 707,789

[22] Filed: Mar. 4, 1985

[30] Foreign Application Priority Data

Sep. 4, 1984 [JP] Japan 59-36869

[52] U.S. Cl. D16/32

[58] Field of Search D16/27-32; D14/110; 270/52, 56, 58; 271/3, 3.1, 4, 9, 10, 35, 110-121, 161, 171, 273-274, 280, 284, 287-305; 355/3 SH, 14 SH

[56] References Cited

U.S. PATENT DOCUMENTS

D. 267,565	1/1983	Fossella	D16/32
D. 272,830	2/1984	Hara	D16/32
D. 276,238	11/1984	Kosako	D16/32
D. 281,170	10/1985	Hara	D16/32
D. 283,625	4/1986	Goto	D16/32
D. 286,540	11/1986	Hashimoto	D16/32
3,891,203	6/1975	Schiff	271/4
4,568,074	2/1986	Murayoshi	271/121

OTHER PUBLICATIONS

The Office—7/85, p. 76—Copier Paper Feeders (Tops) at top, and bottom-right.

Primary Examiner—Nelson C. Holtje
Attorney, Agent, or Firm—Flehr, Hohbach, Test, Albritton & Herbert

[57] CLAIM

The ornamental design for an automatic original feeder for copying machine, as shown and described.

DESCRIPTION

FIG. 1 is a top and right front perspective view of an automatic original feeder for copying machine showing my new design;

FIG. 2 is a top plan view thereof;

FIG. 3 is a front elevational view thereof;

FIG. 4 is a rear elevational view thereof;

FIG. 5 is a right side elevational view thereof;

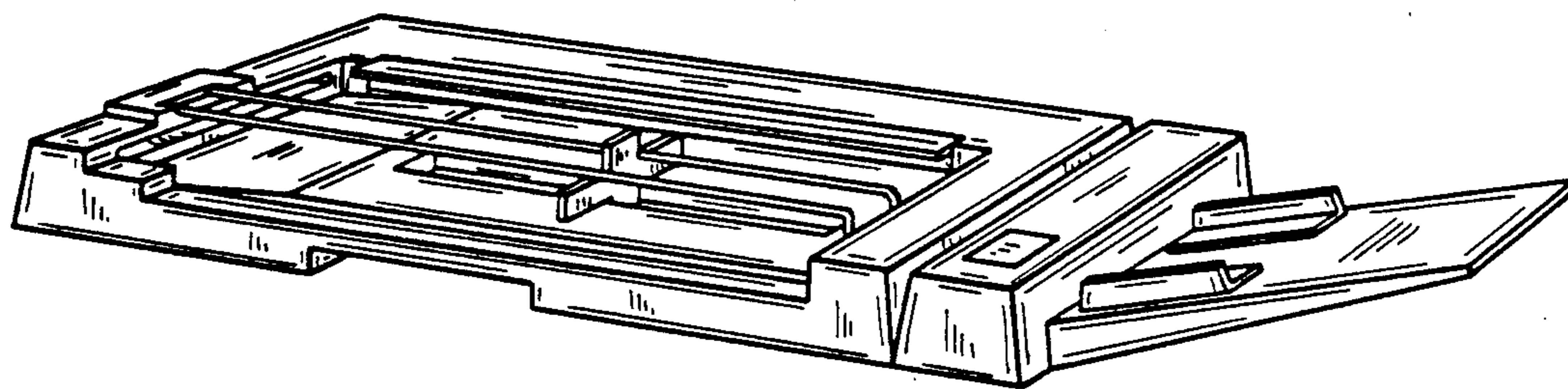
FIG. 6 is a left side elevational view thereof;

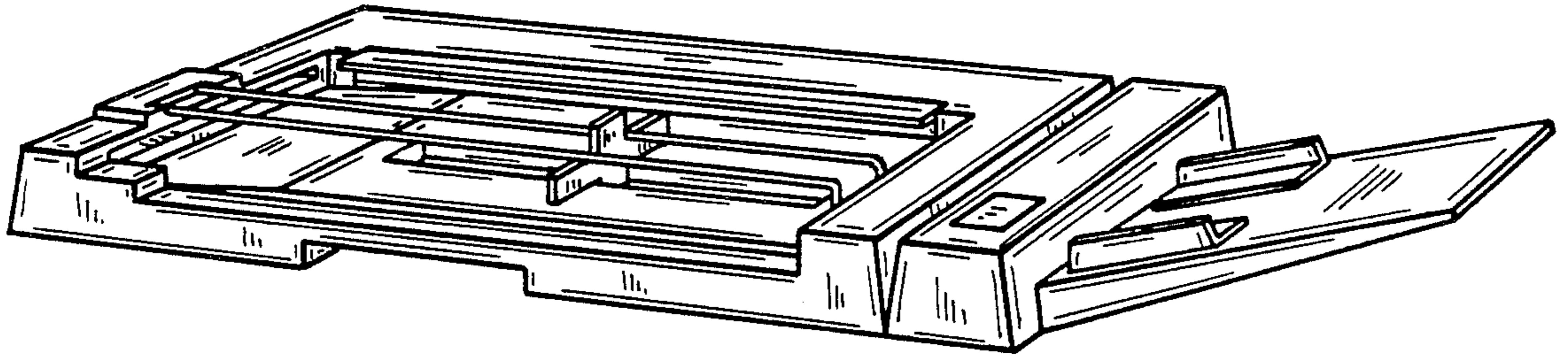
FIG. 7 is a sectional elevational view thereof taken along line A—A of FIG. 2;

FIG. 8 is a sectional elevational view thereof taken along line 8—8 of FIG. 2;

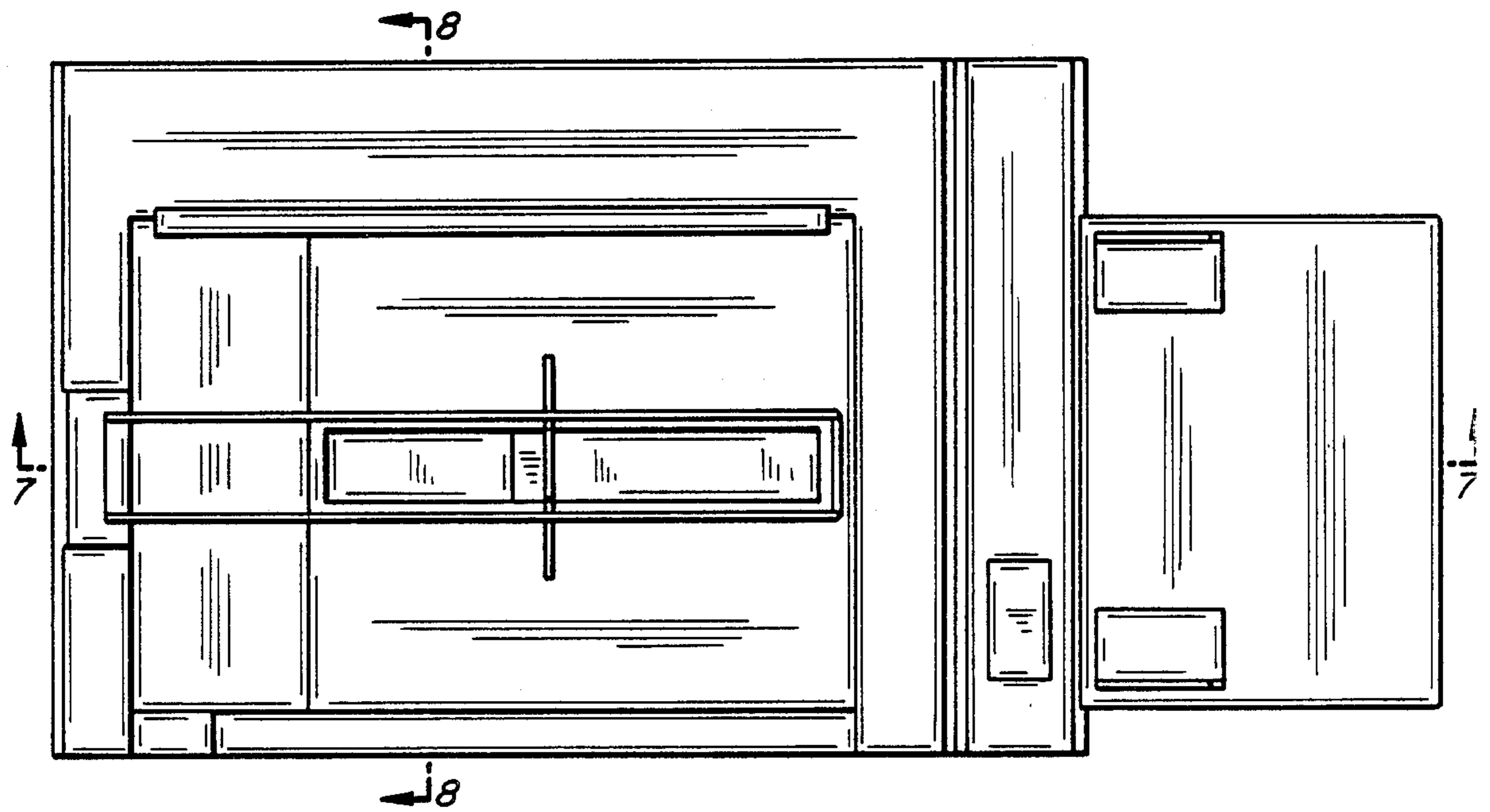
FIG. 9 is a bottom plan view thereof; and

FIG. 10 is a top and right-front perspective view thereof, the broken-line showing of a copier being environmental only and forming no part of the claimed design.

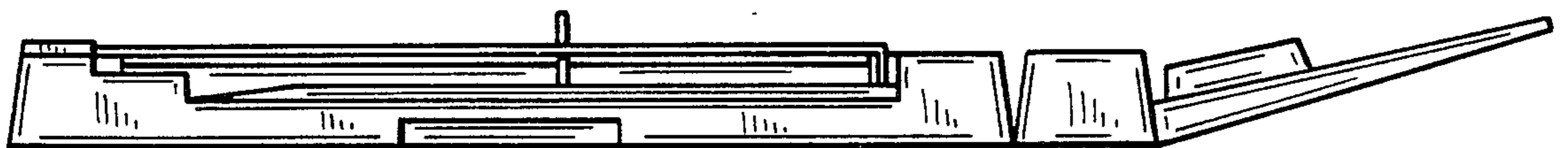




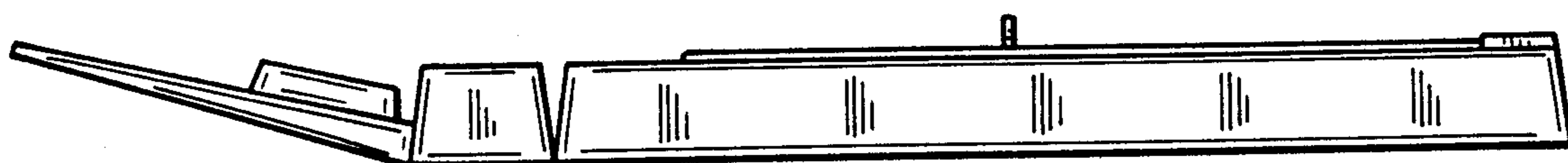
FIG_1



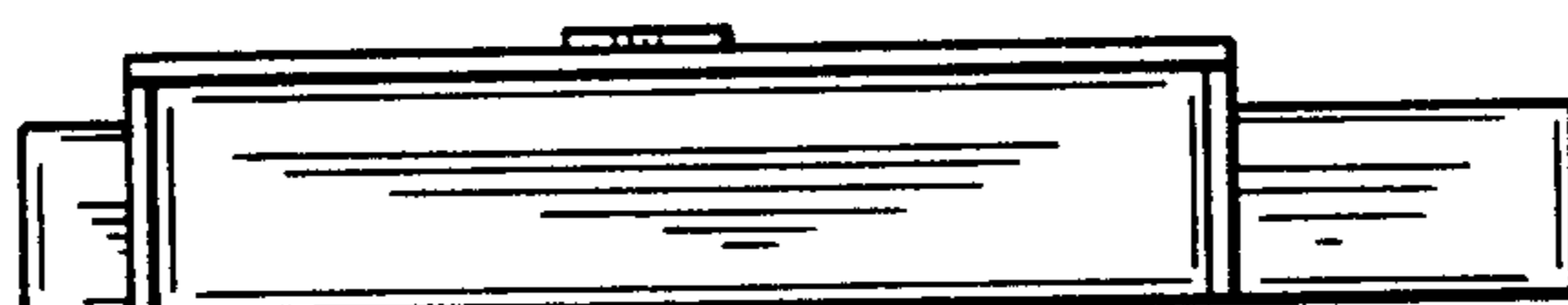
FIG_2



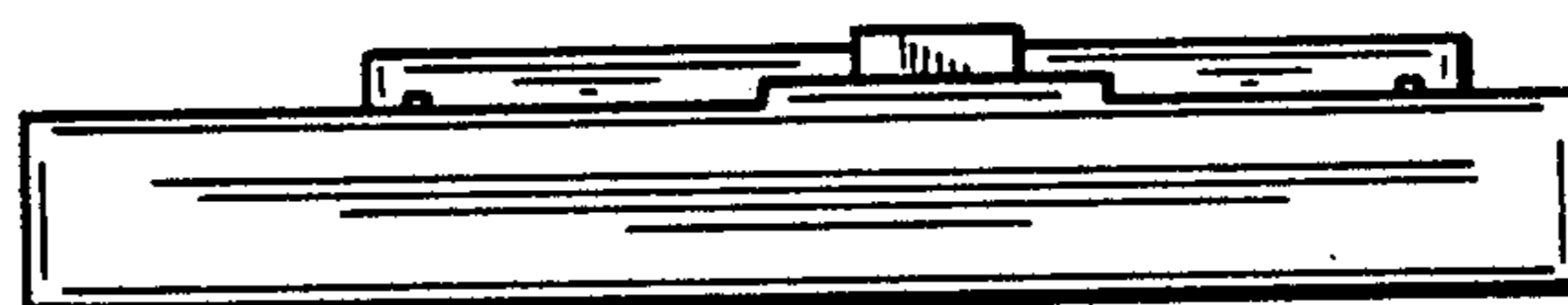
FIG_3



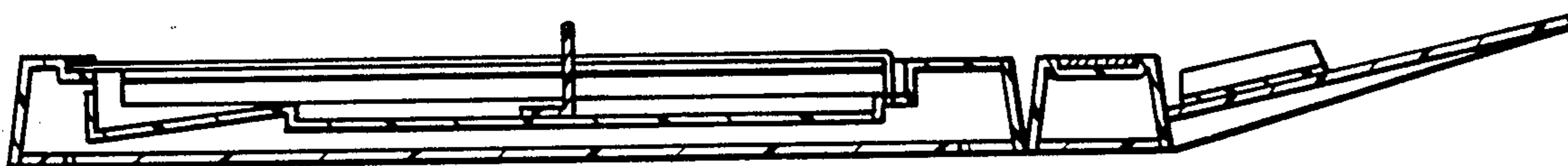
FIG_4



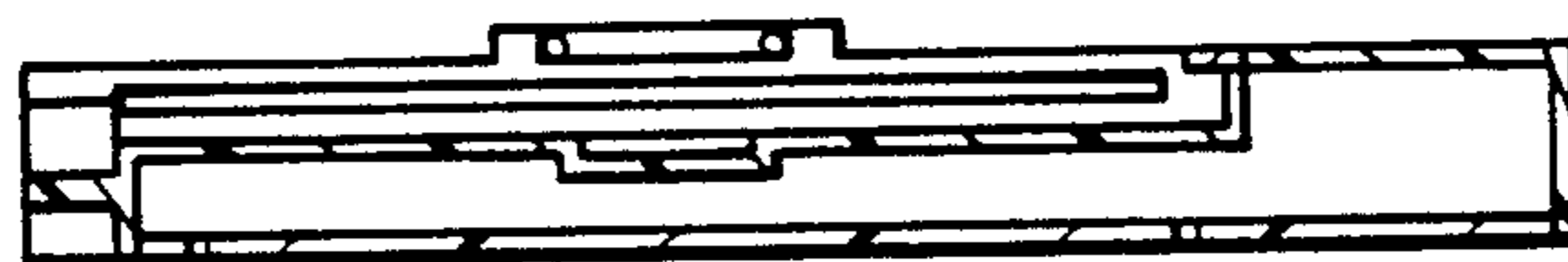
FIG_5



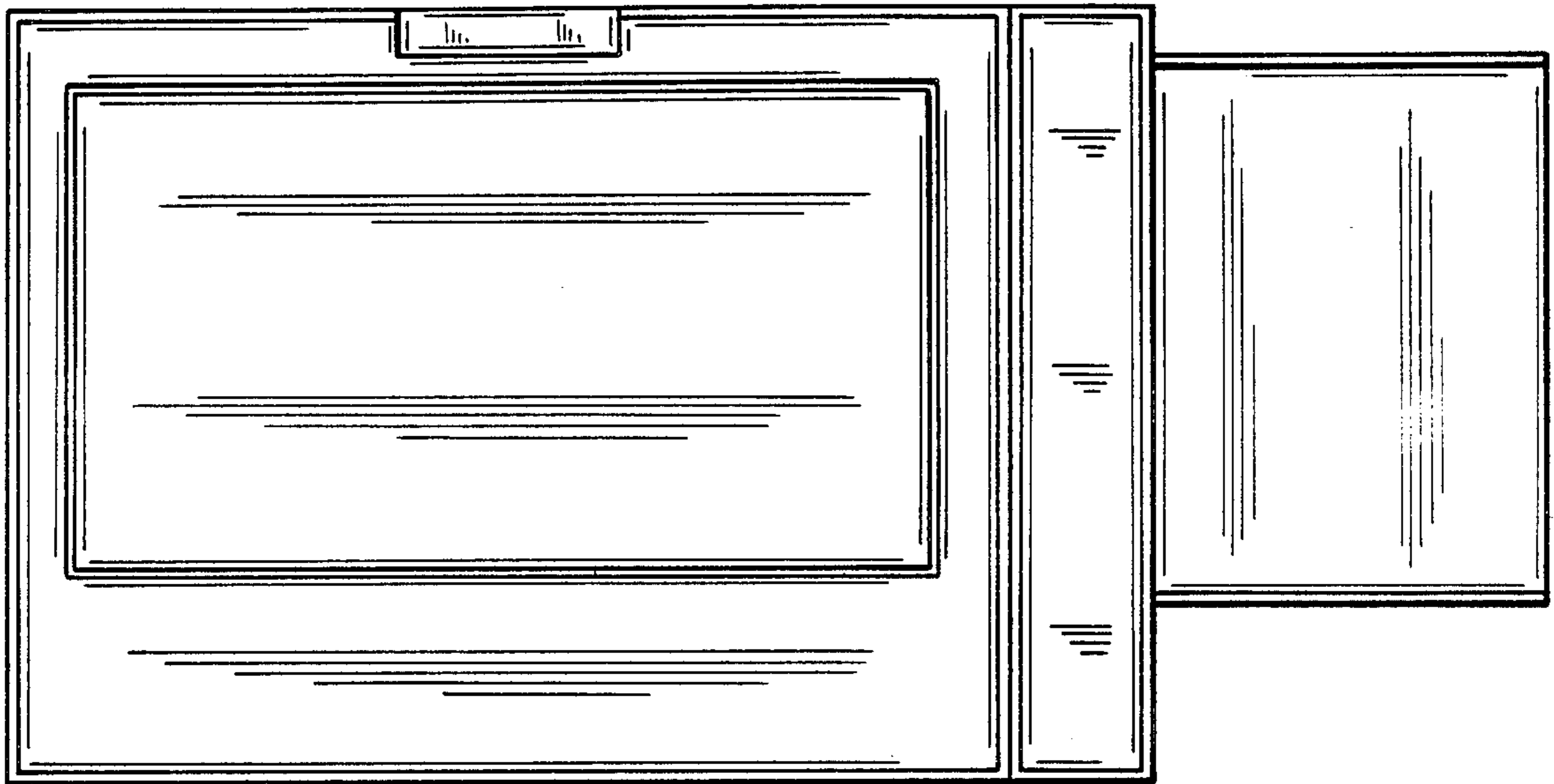
FIG_6



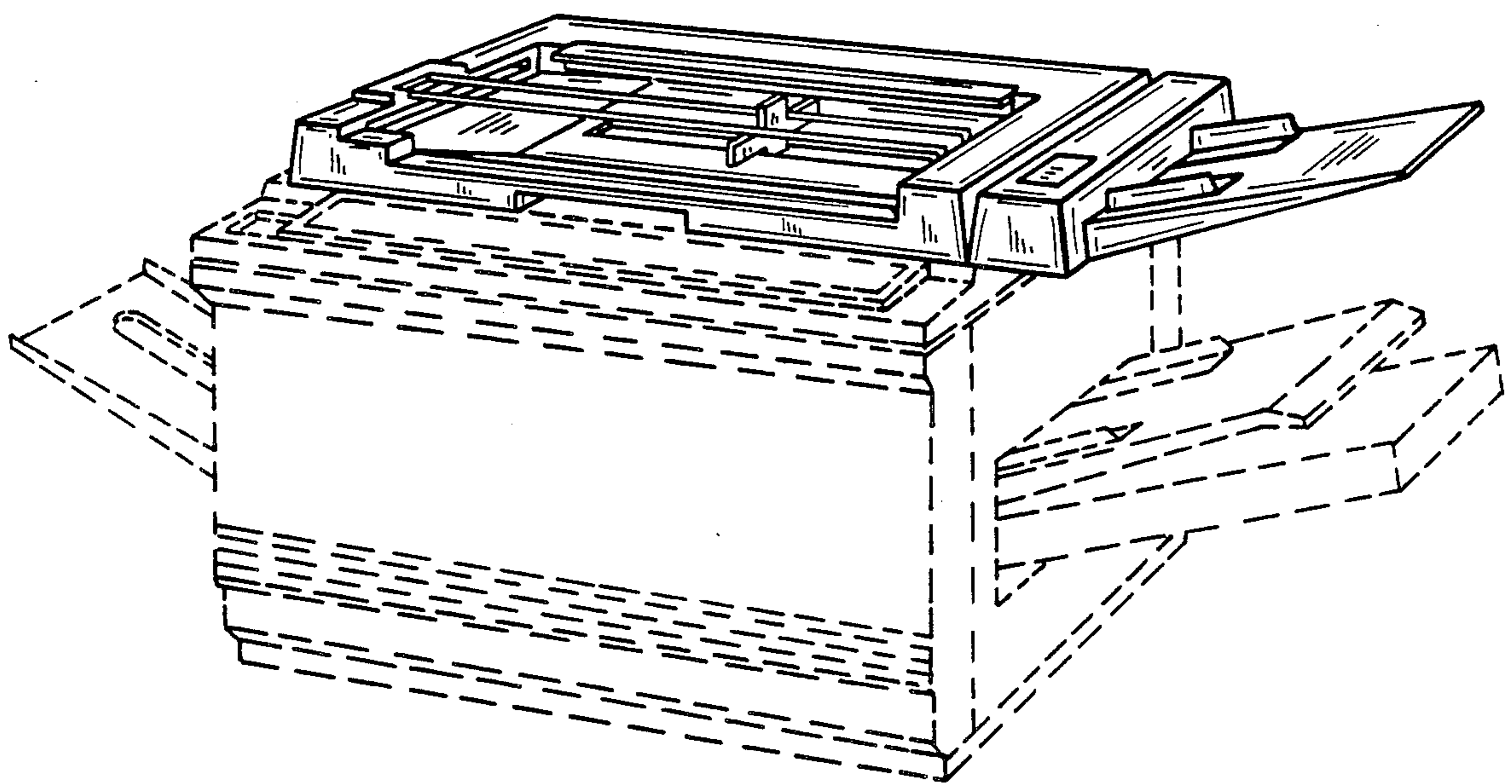
FIG_7



FIG_8



FIG_9



FIG_10