

[54] PAPER FEEDER FOR COPIERS

4,620,782 11/1986 Kurando ..... 271/3 X

- [75] Inventor: Kunio Akiyama, Osaka, Japan
- [73] Assignee: Sharp Corporation, Osaka, Japan
- [\*\*] Term: 14 Years
- [21] Appl. No.: 707,072
- [22] Filed: Mar. 1, 1985

[30] Foreign Application Priority Data

- Sep. 4, 1984 [JP] Japan ..... 59-36870
- [52] U.S. Cl. .... D16/32
- [58] Field of Search ..... D16/27-32;  
270/52, 56, 58; 271/3, 3.1, 4, 9, 10, 35, 110-121,  
161, 171, 273-274, 280, 284, 287-305; 355/3  
SH, 14 SH

[56] References Cited

U.S. PATENT DOCUMENTS

- D. 218,576 9/1970 VanAcker ..... D16/30
- D. 225,572 12/1972 Knodt ..... D16/32
- D. 240,554 7/1976 Cross ..... D16/30
- D. 254,975 5/1980 Gambrell ..... D14/110 X
- D. 277,966 3/1985 Kosako ..... D16/32
- 3,993,300 11/1976 Dehner ..... 271/4

OTHER PUBLICATIONS

Office Products Dealer—5/83—p. 109—Copier w/Feeder at top-right.

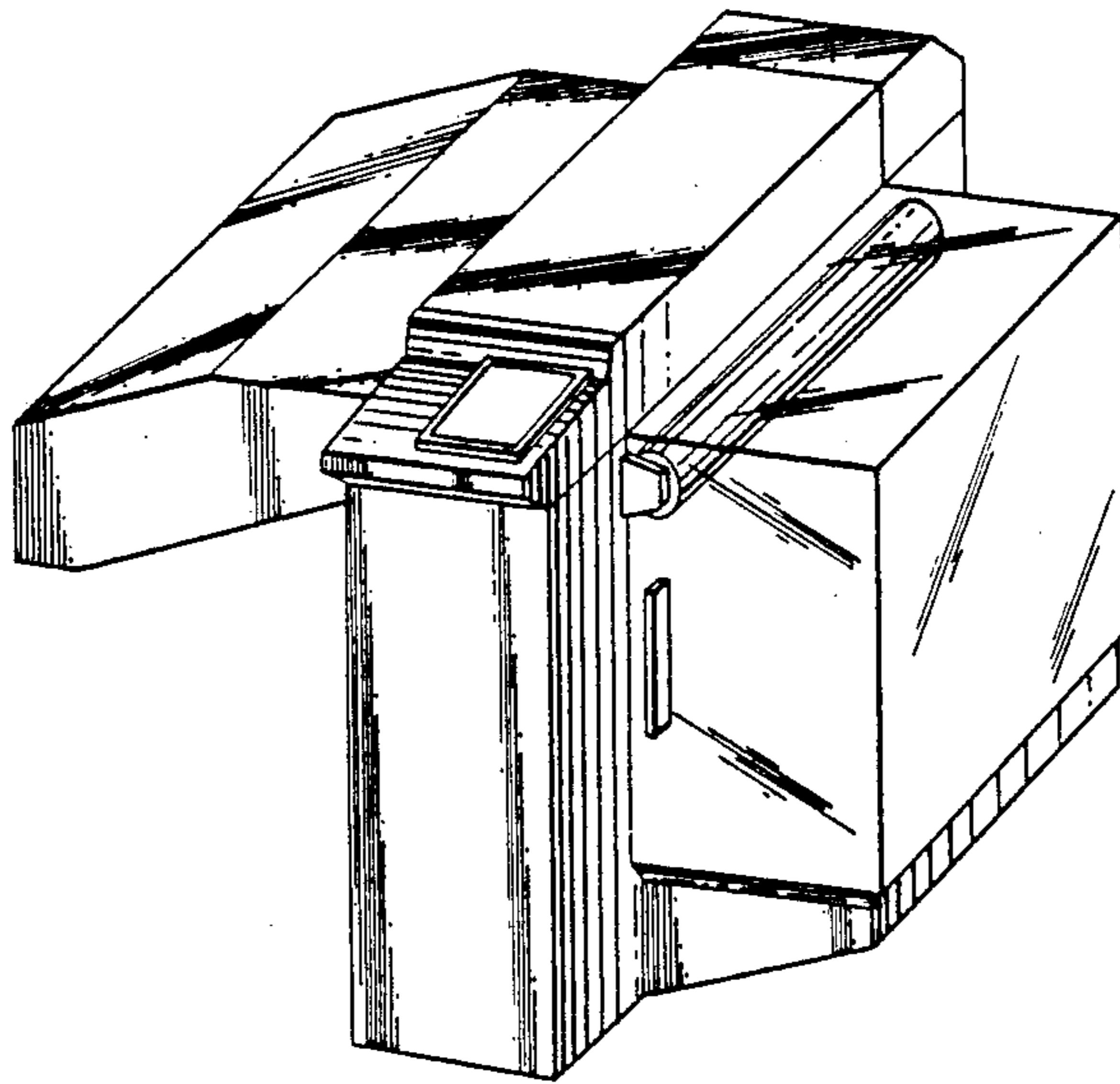
Primary Examiner—Nelson C. Holtje  
Attorney, Agent, or Firm—Flehr, Hohbach, Test, Albritton & Herbert

[57] CLAIM

The ornamental design for a paper feeder for copiers, as shown and described.

DESCRIPTION

FIG. 1 is a top and right front perspective view of a paper feeder for copiers showing my new design; FIG. 2 is a top plan view thereof; FIG. 3 is a front elevational view thereof; FIG. 4 is a rear elevational view thereof; FIG. 5 is a right side elevational view thereof; FIG. 6 is a left side elevational view thereof; and FIG. 7 is a bottom plan view thereof; FIG. 8 is a top and right front perspective view thereof, the broken-line showing of a copier and stand being environmental only and forms no part of the claimed design.



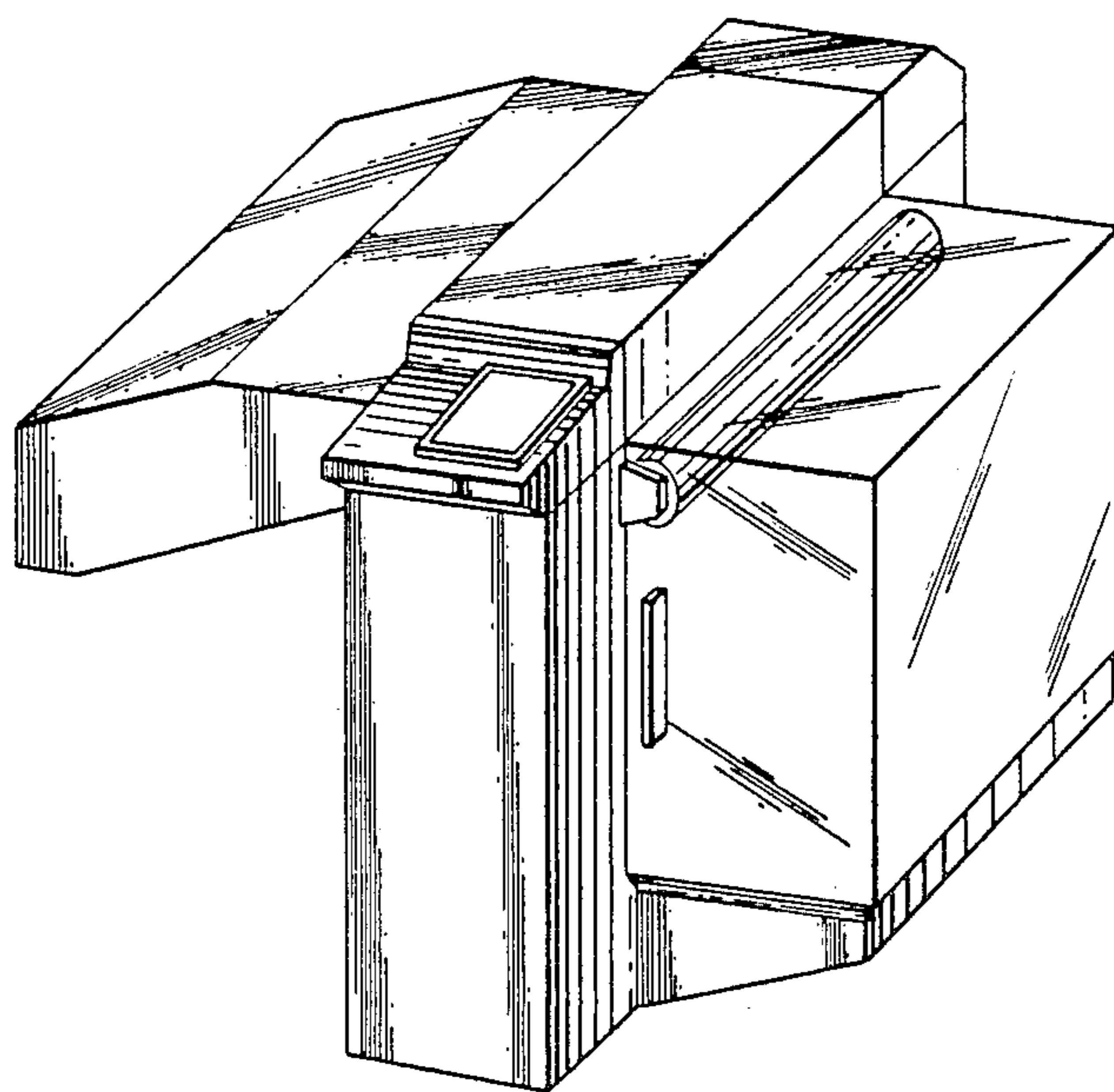


FIG. 1

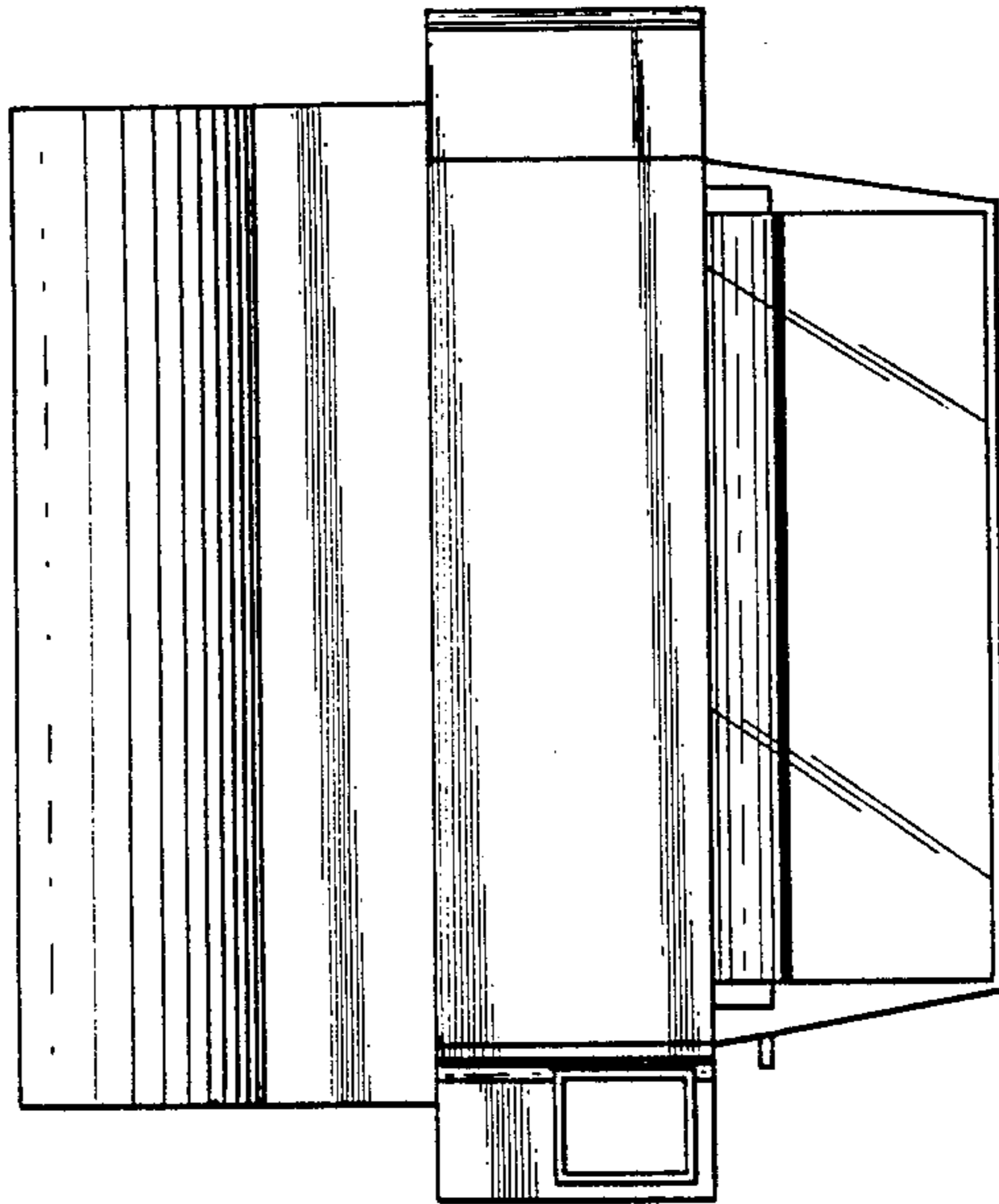


FIG. 2

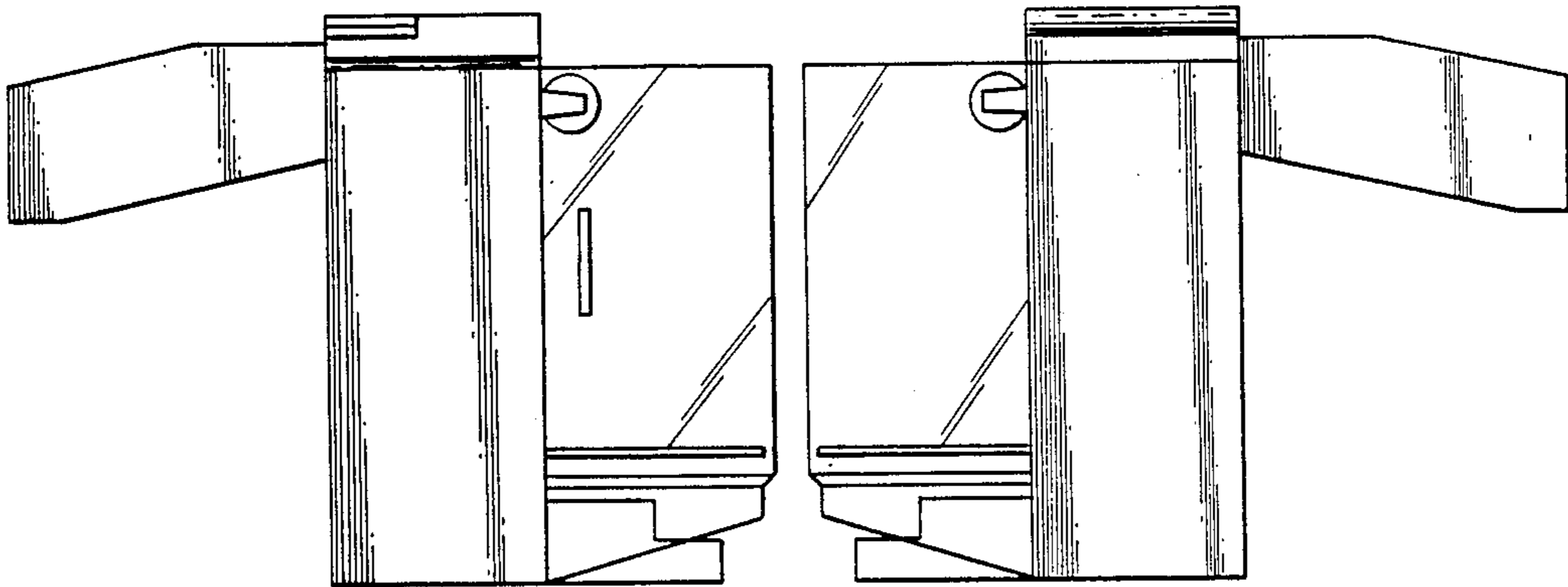


FIG. 3

FIG. 4

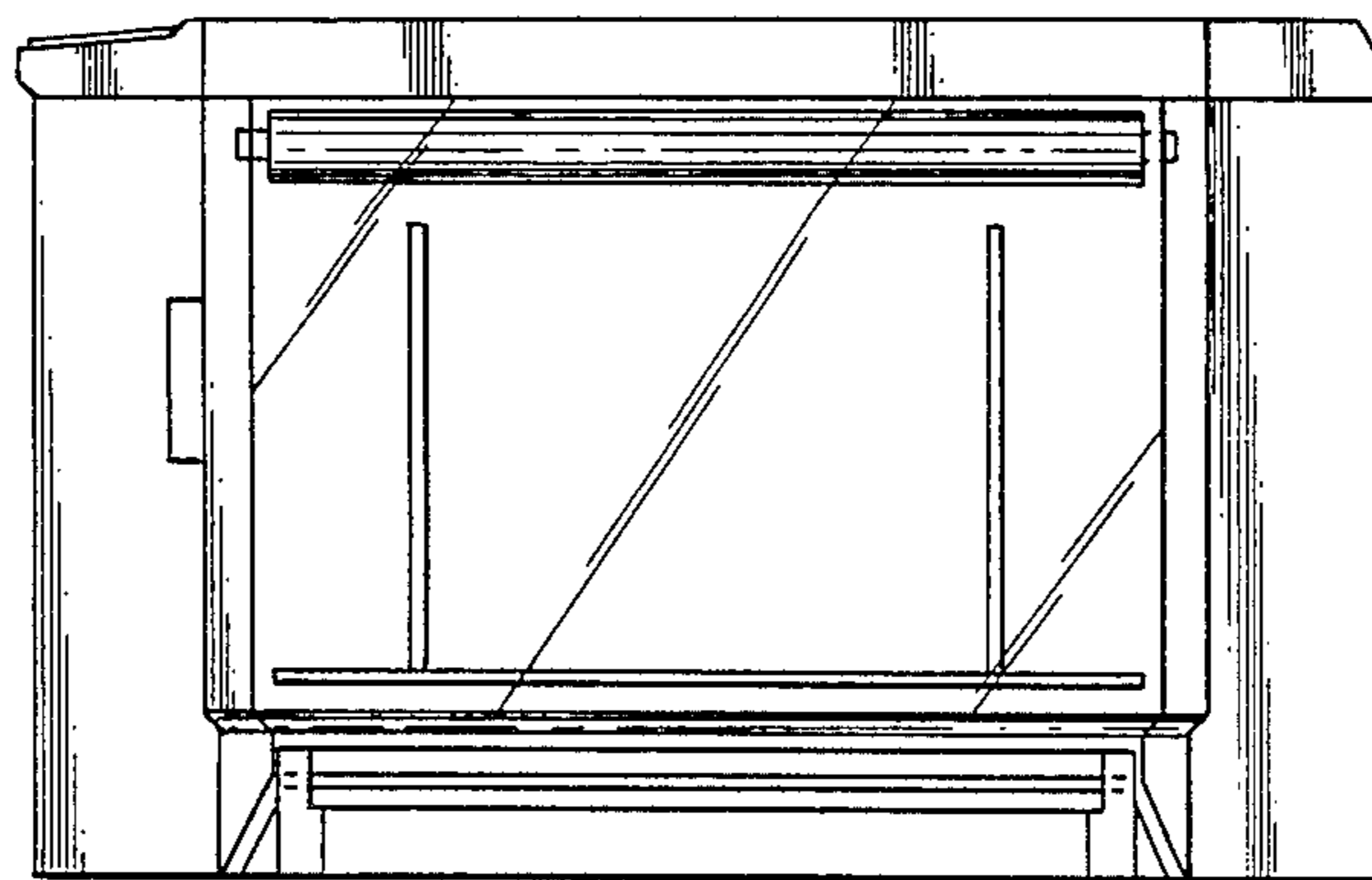


FIG. 5

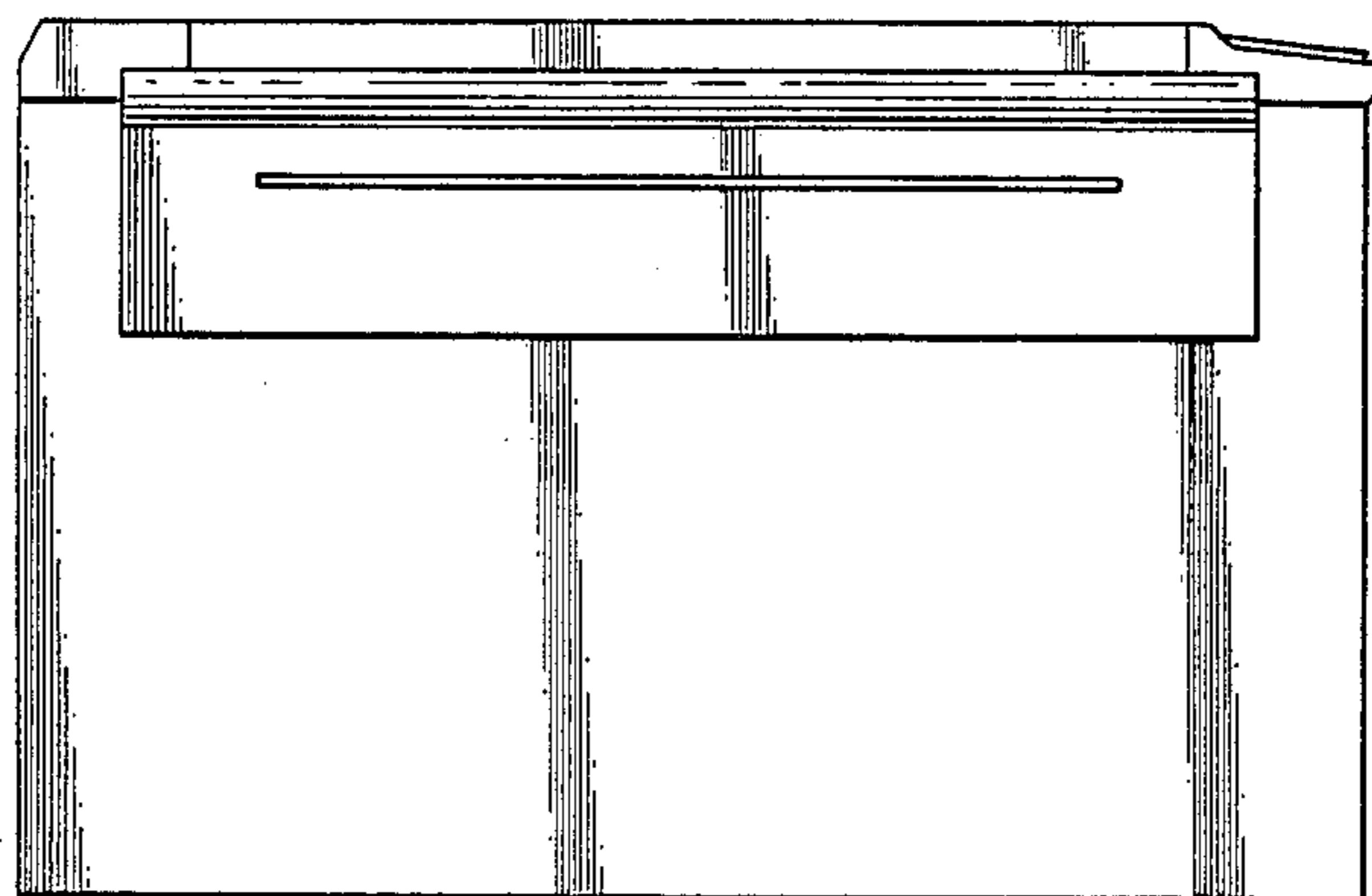


FIG. 6

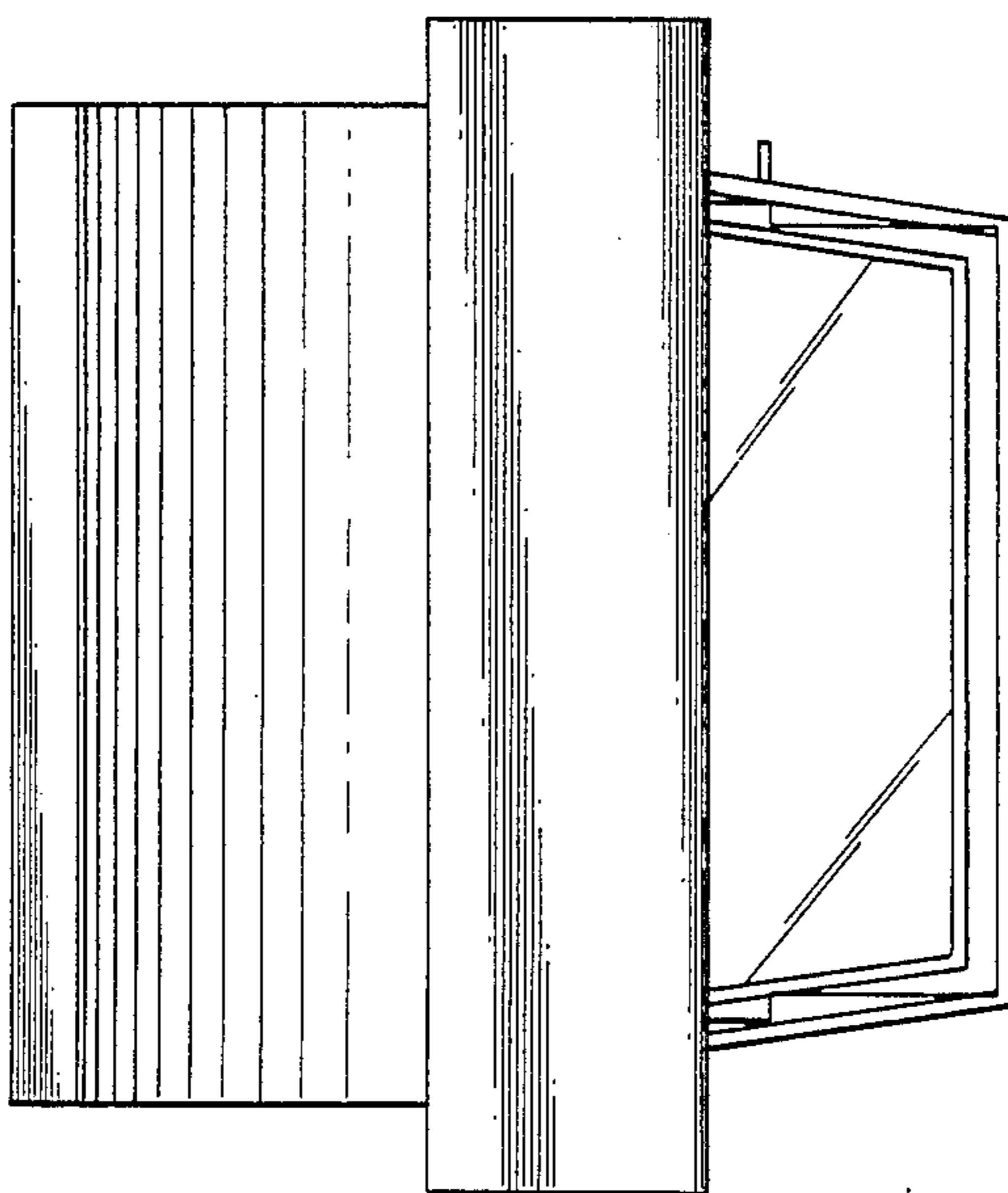


FIG. 7

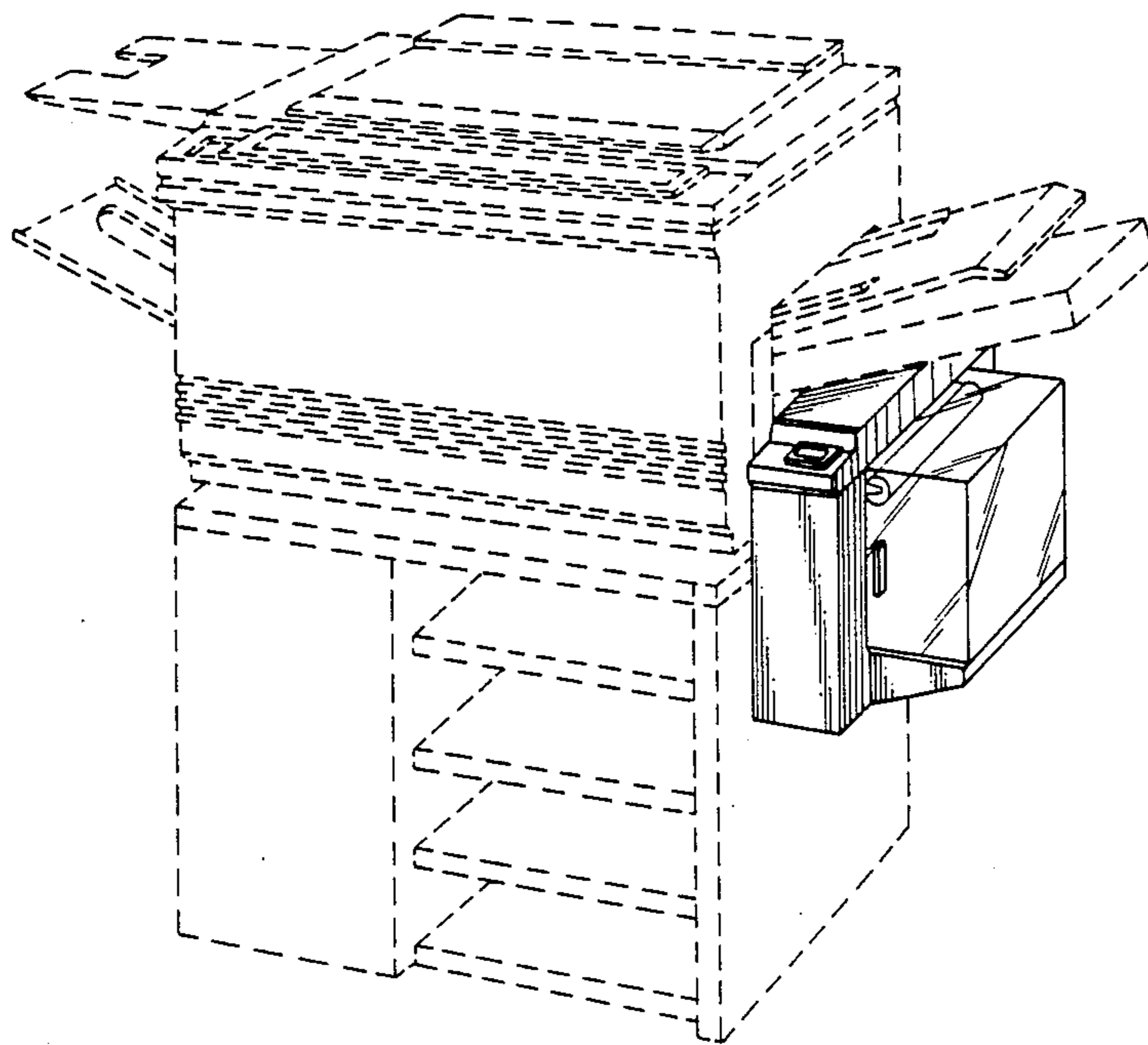


FIG. 8