

[54] CAMERA

[75] Inventors: Koichi Soda, Tokyo; Tetsuya Goto, Kanagawa; Yoichi Shirai, Saitama, all of Japan

[73] Assignee: Ricoh Company, Ltd., Tokyo, Japan

[**] Term: 14 Years

[21] Appl. No.: 775,481

[22] Filed: Sep. 12, 1985

[30] Foreign Application Priority Data

Mar. 12, 1985 [JP] Japan 60-009735

[52] U.S. Cl. D16/6; D16/1

[58] Field of Search D16/1-10; 354/81-82, 126, 127.1, 127.11, 149.11, 202, 288

[56] References Cited

U.S. PATENT DOCUMENTS

- D. 213,806 4/1969 Ikegami D16/5
- D. 284,768 7/1986 Nakayama D16/6
- D. 285,449 9/1986 Soda D16/6
- D. 289,176 6/1987 Yoshida D16/1 X

D. 290,464 6/1987 Kato D16/6

OTHER PUBLICATIONS

Modern Photography—10/84—p. 77—Camera at center-right.

35 mm Photography—11/84—p. 17—Camera at top.

Popular Photography—11/84—p. 71—Camera at top.

Primary Examiner—Nelson C. Holtje

Attorney, Agent, or Firm—Oblon, Fisher, Spivak, McClelland & Maier

[57] CLAIM

The ornamental design for camera, as shown and described.

DESCRIPTION

FIG. 1 is a front and top-left perspective view of a camera showing our new design;

FIG. 2 is a front elevational view thereof;

FIG. 3 is a top plan view thereof;

FIG. 4 is a right side elevational view thereof;

FIG. 5 is a left side elevational view thereof;

FIG. 6 is a rear elevational view thereof; and

FIG. 7 is a bottom plan view thereof.

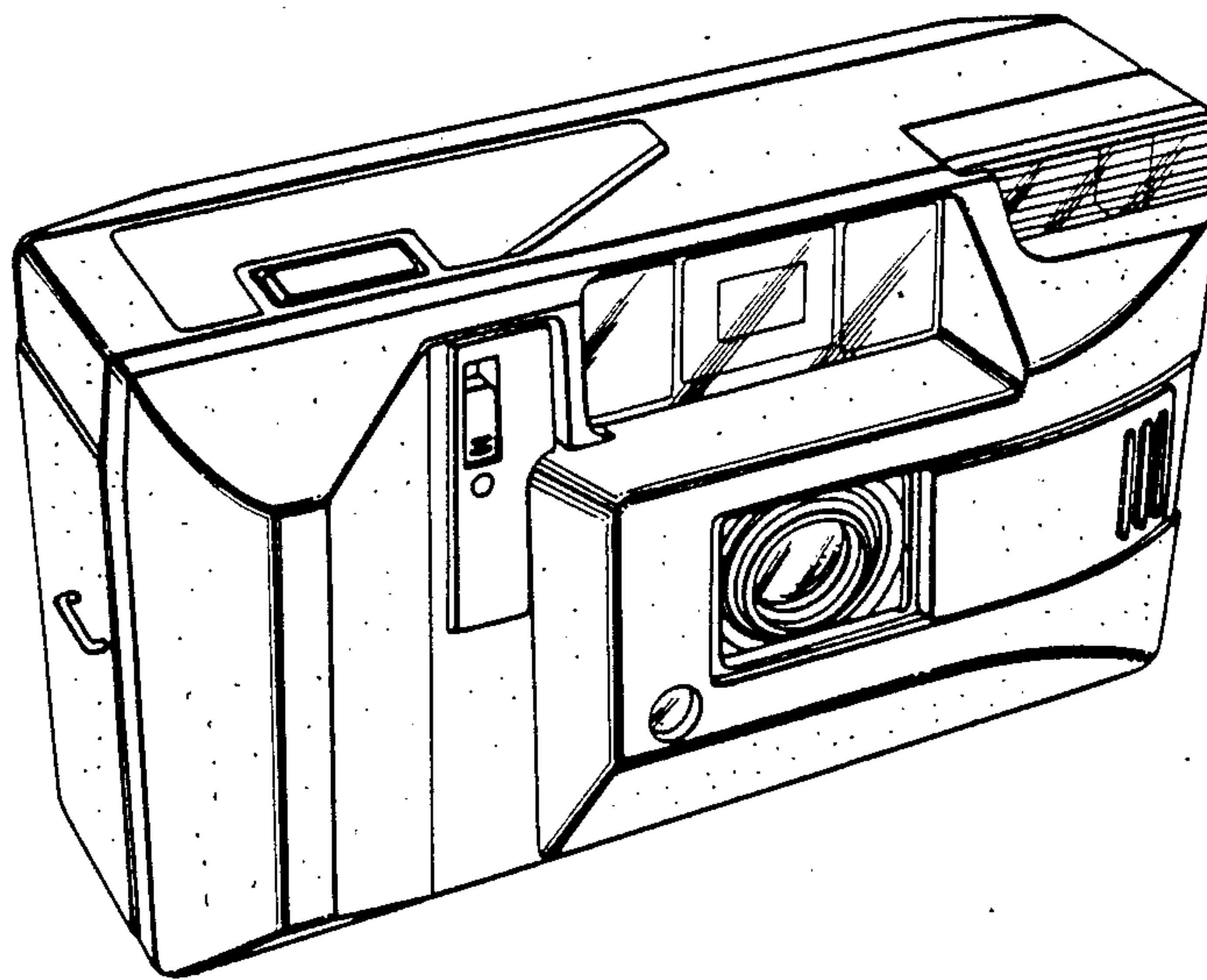


FIG. 1

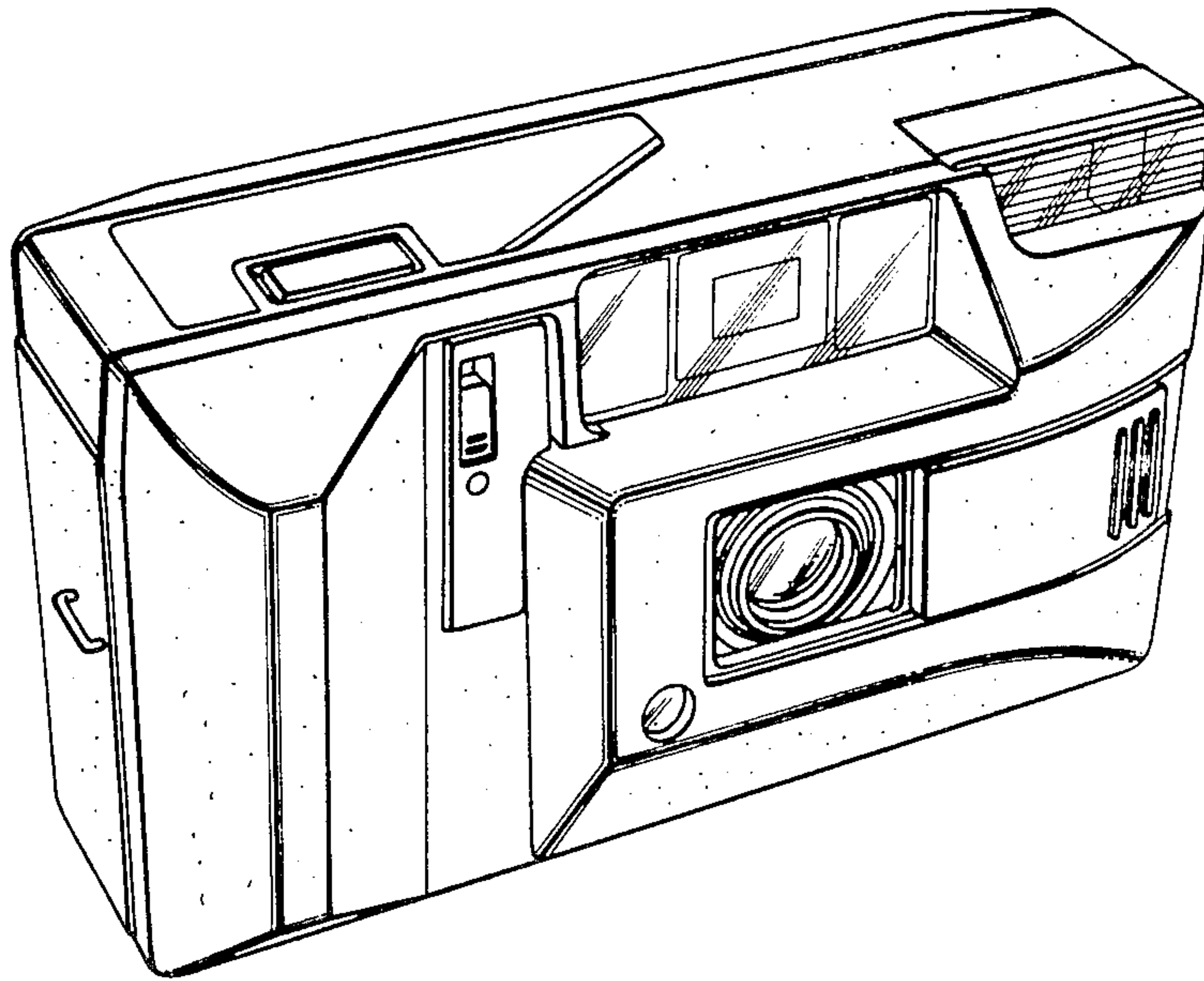


FIG. 2

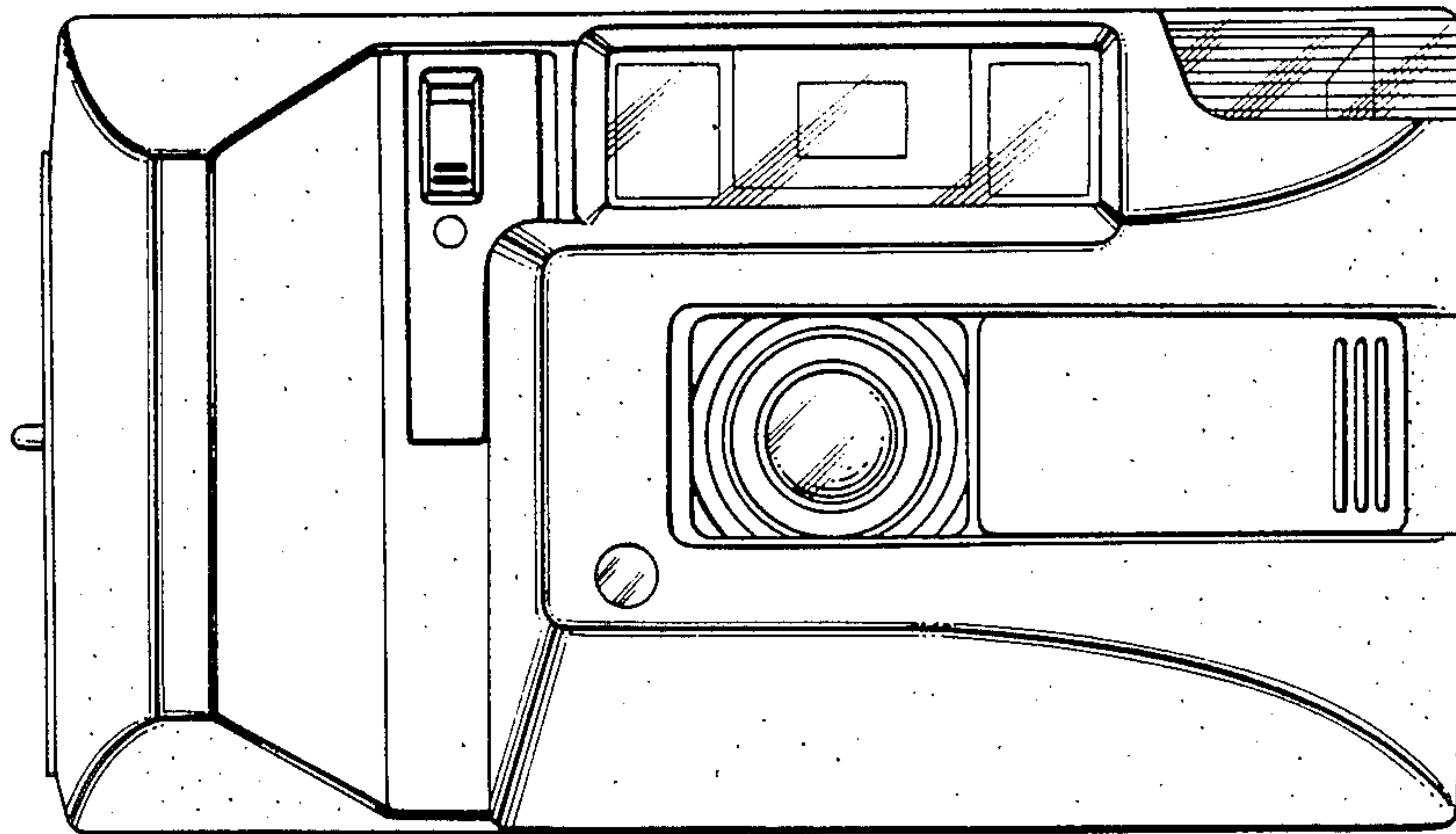


FIG. 3

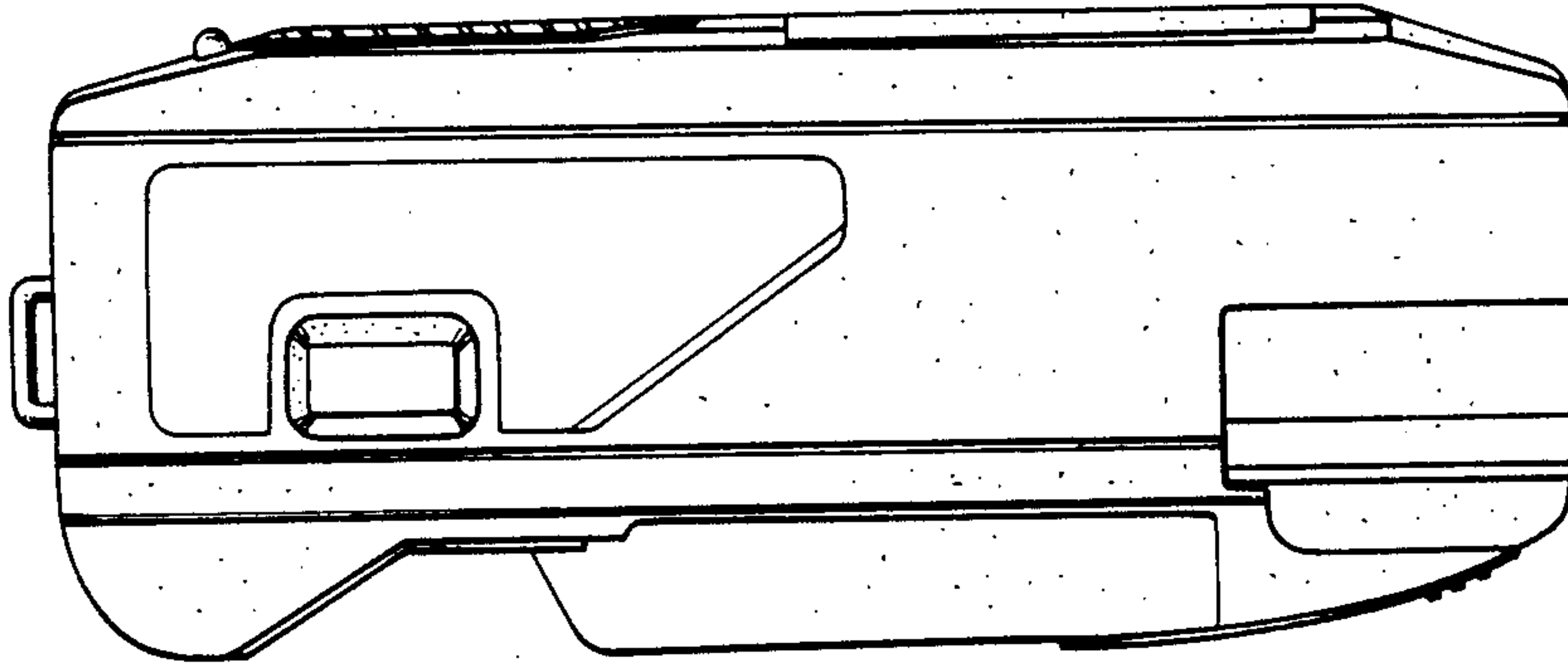


FIG. 4

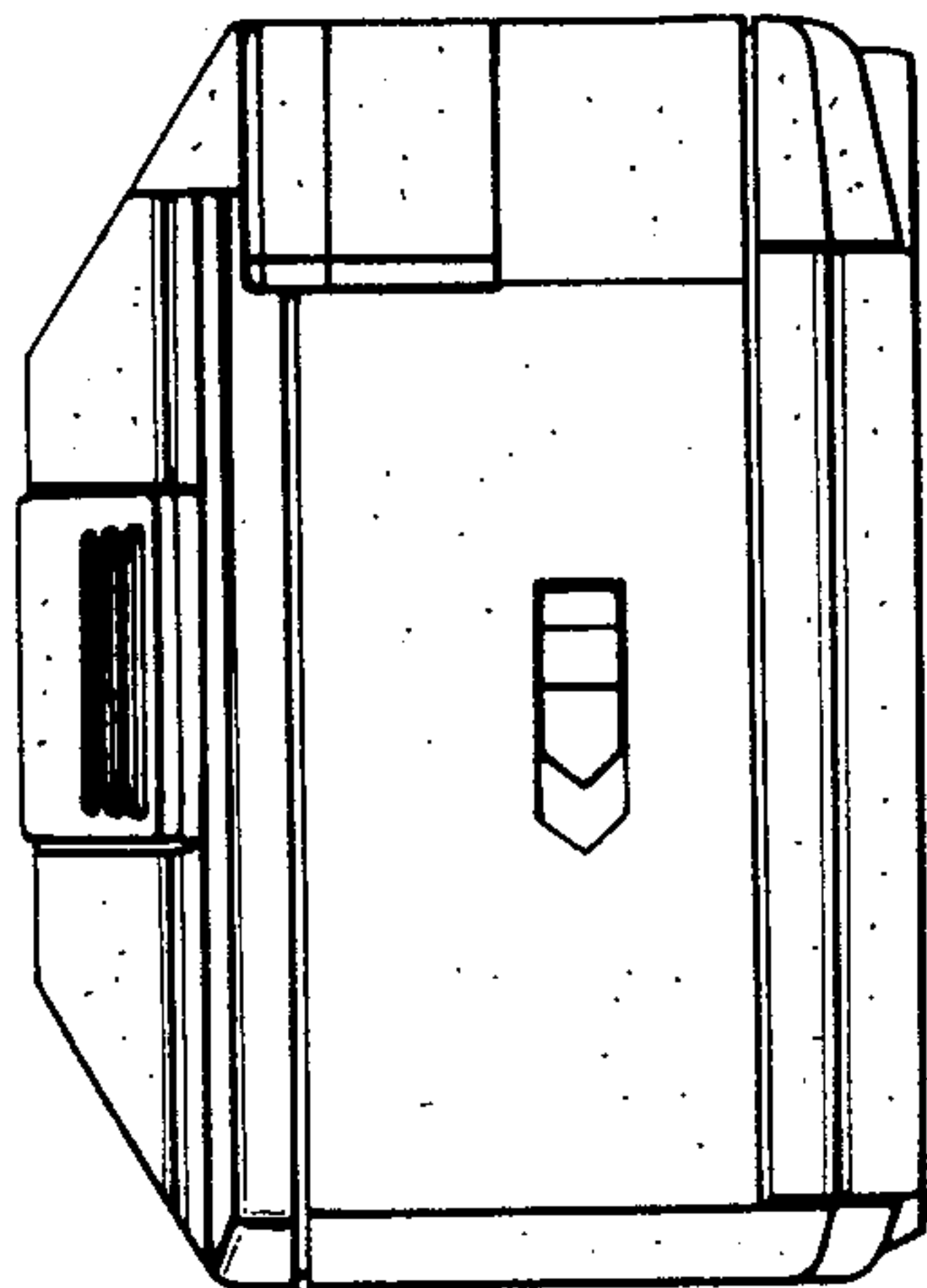


FIG. 5

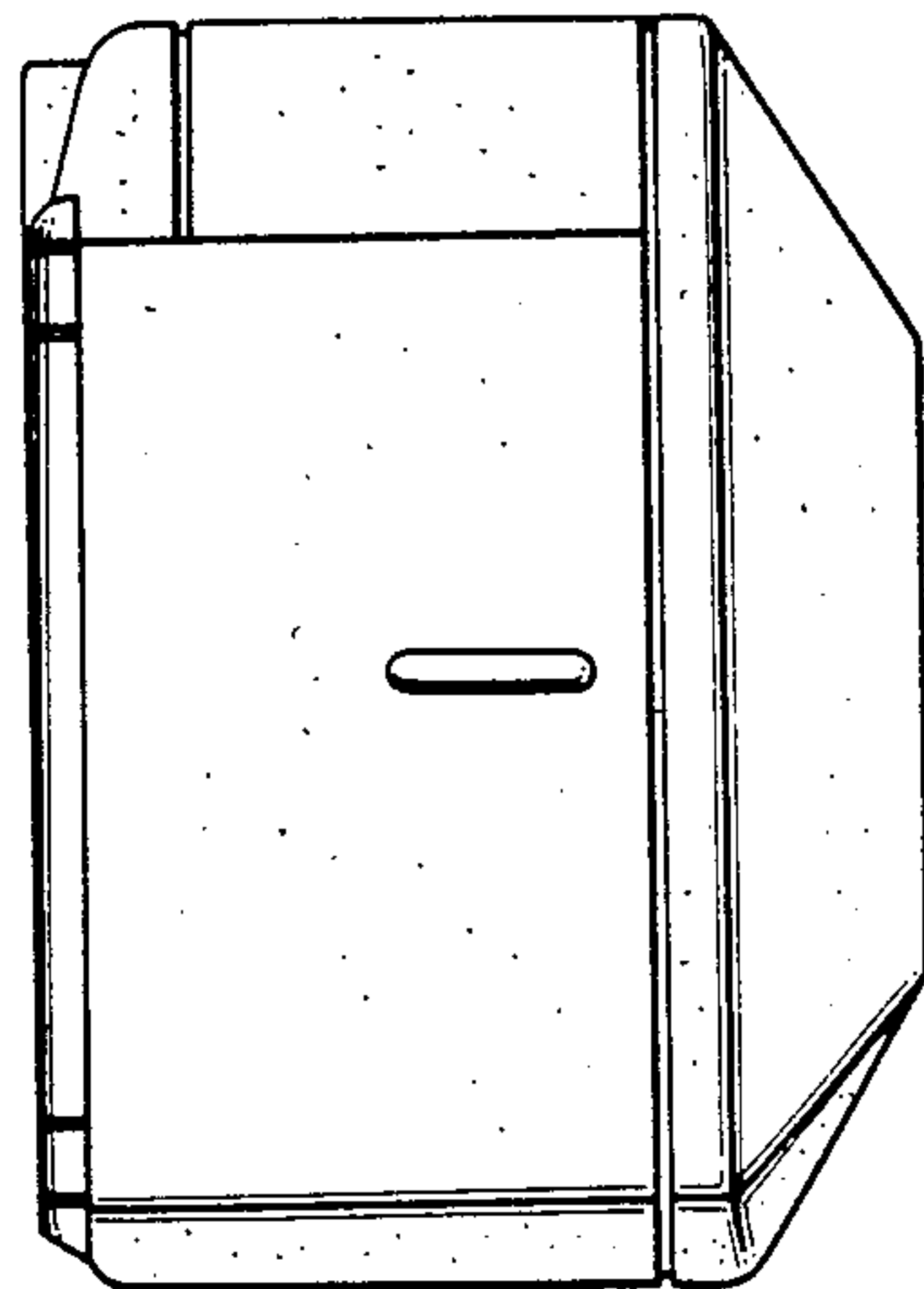


FIG. 6

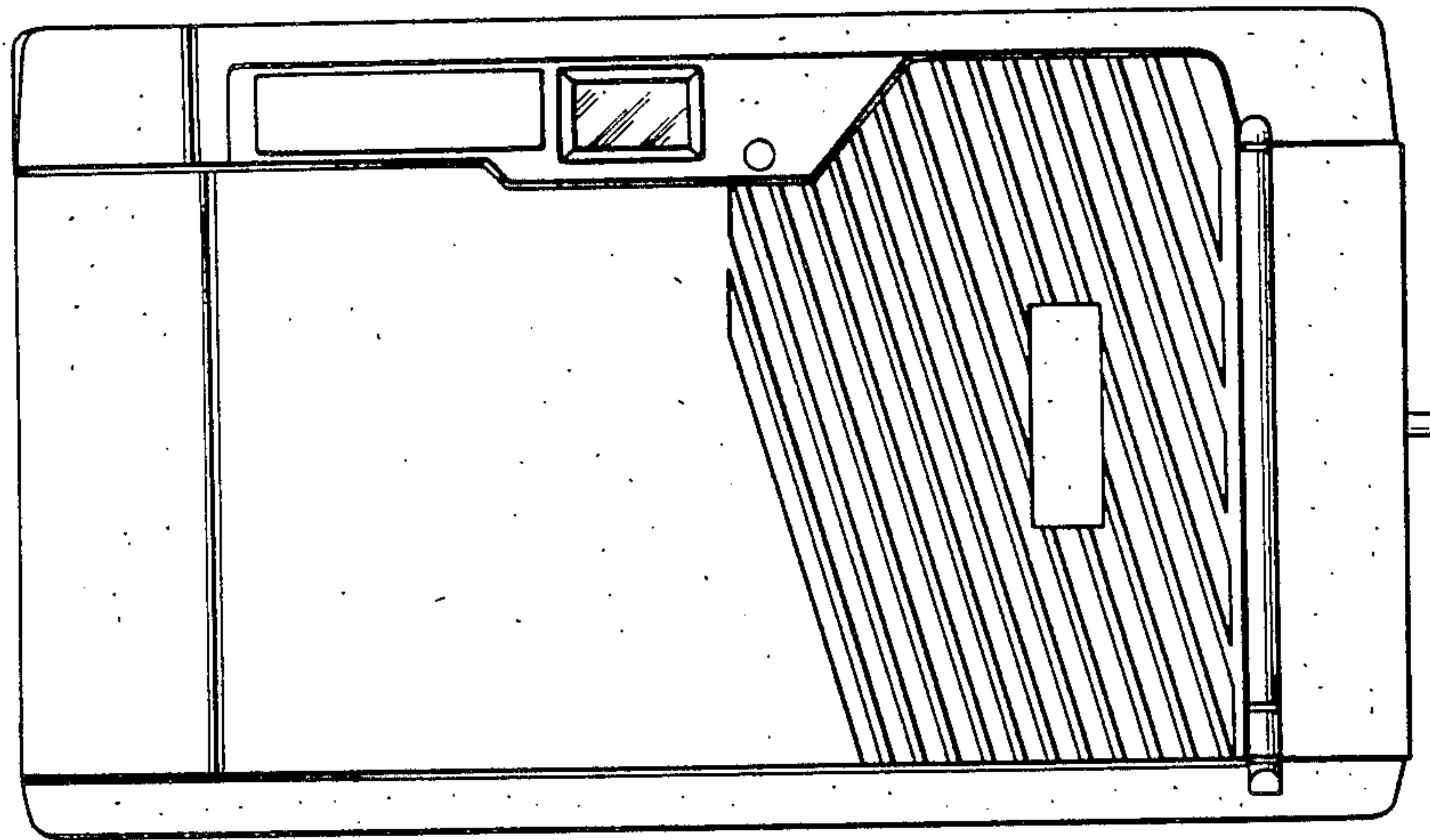


FIG. 7

