

[54] CAMERA

[75] Inventor: Toshiyuki Baba, Tokorozawa, Japan

[73] Assignee: Siko Co., Ltd., Tokyo, Japan

[\*\*] Term: 14 Years

[21] Appl. No.: 859,726

[22] Filed: May 5, 1986

[30] Foreign Application Priority Data

Feb. 14, 1986 [JP] Japan ..... 61-4688  
 [52] U.S. Cl. .... D16/1; D16/2  
 [58] Field of Search ..... D16/1-10;  
 354/83-86, 149.11, 152, 173.1, 173.11, 204, 212,  
 288 A-288 F, 288 M, 288 P, 288 U

[56] References Cited

U.S. PATENT DOCUMENTS

D. 217,304 4/1970 Doblin ..... D16/9  
 D. 223,550 5/1972 Camuso ..... D16/9  
 3,605,591 9/1971 Rigolini et al. .... D16/6 X

OTHER PUBLICATIONS

Design, Oct. 1985, p. 34, center-Item #5.

Primary Examiner—Bernard Ansher  
 Assistant Examiner—Theodore M. Shooman  
 Attorney, Agent, or Firm—Bacon & Thomas

[57] CLAIM

The ornamental design for a camera, as shown and described.

DESCRIPTION

FIG. 1 is a top, front and right side perspective view of a camera showing my new design;  
 FIG. 2 is a top, rear and left side perspective view thereof;  
 FIG. 3 is a front elevational view thereof;  
 FIG. 4 is a right side elevational view thereof;  
 FIG. 5 is a top plan view thereof;  
 FIG. 6 is a left side elevational view thereof;  
 FIG. 7 is a bottom plan view thereof;  
 FIG. 8 is a rear elevational view thereof; and  
 FIG. 9 is a top, front and right side perspective view thereof, the broken line showing of a film cartridge is for illustrative purposes only and forms no part of the claimed design.

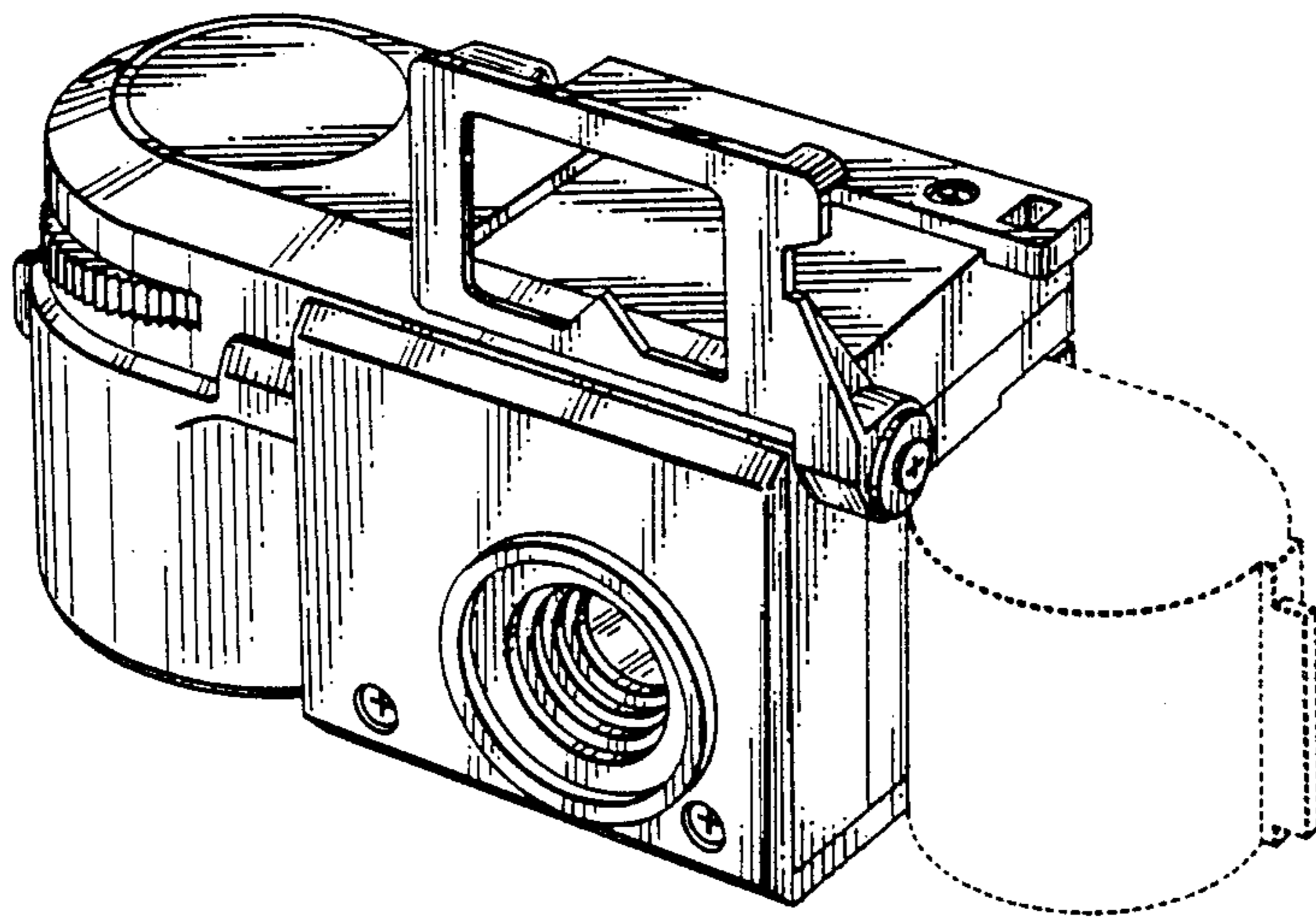


FIG. 1

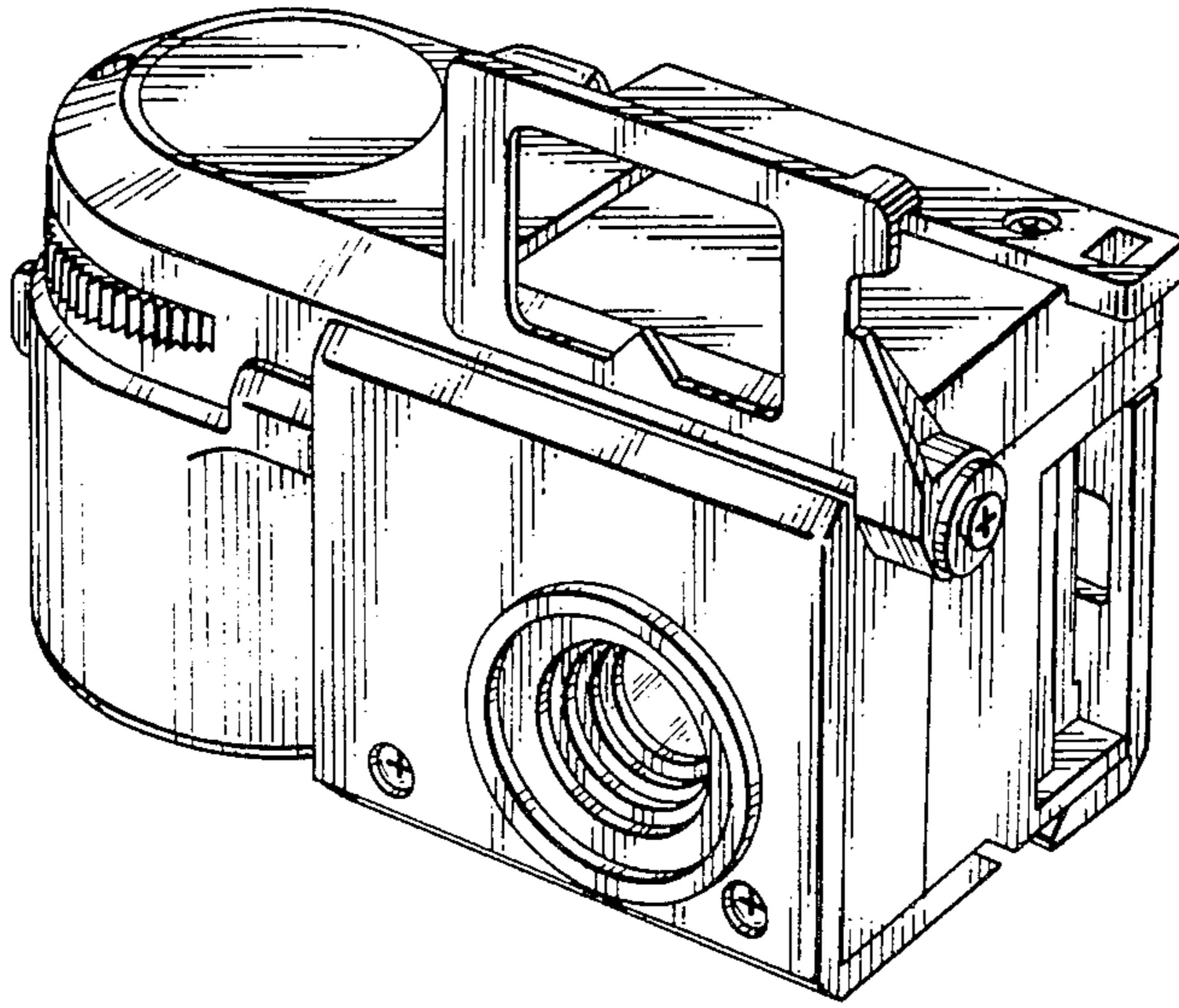


FIG. 2

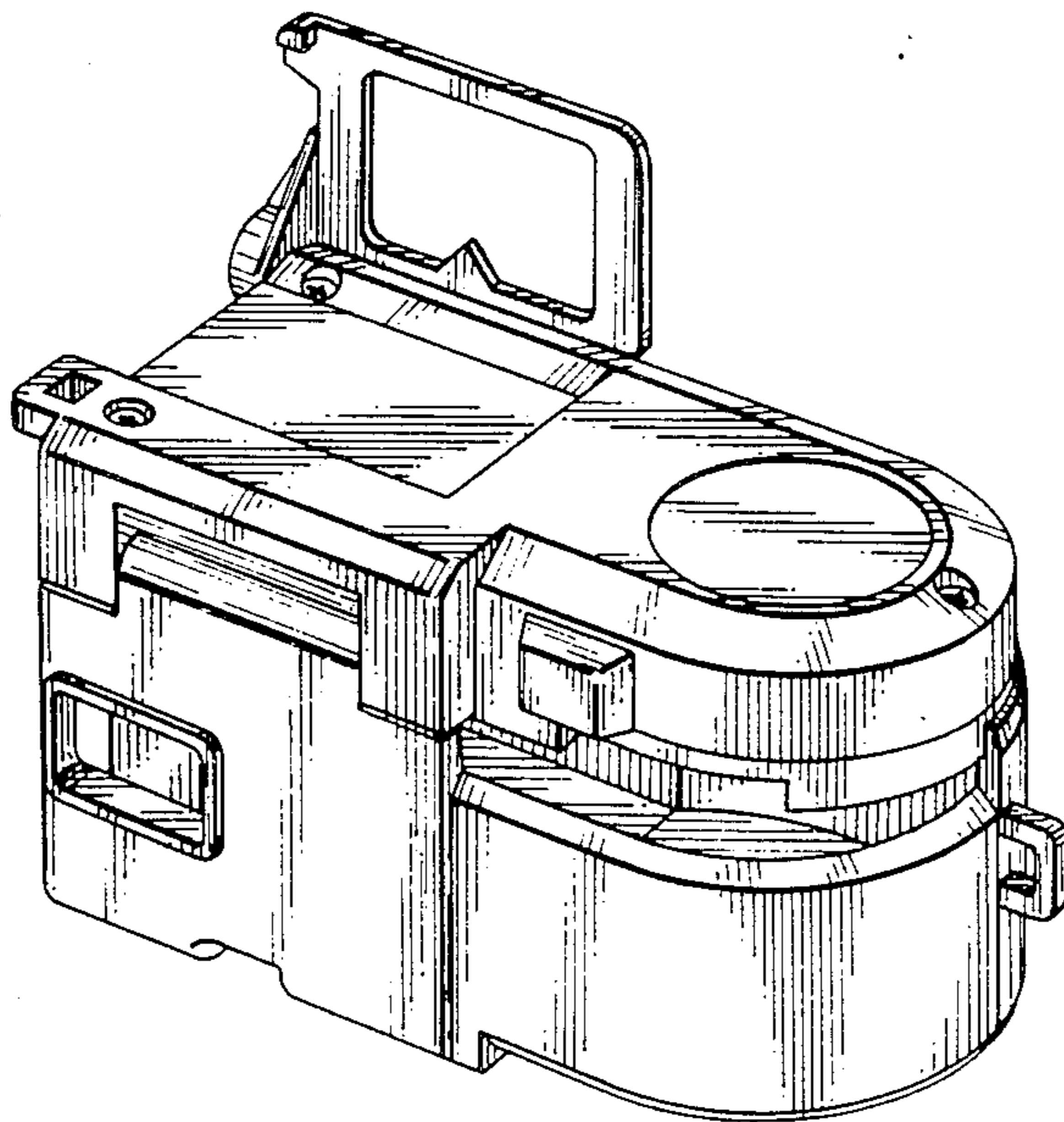


FIG. 3

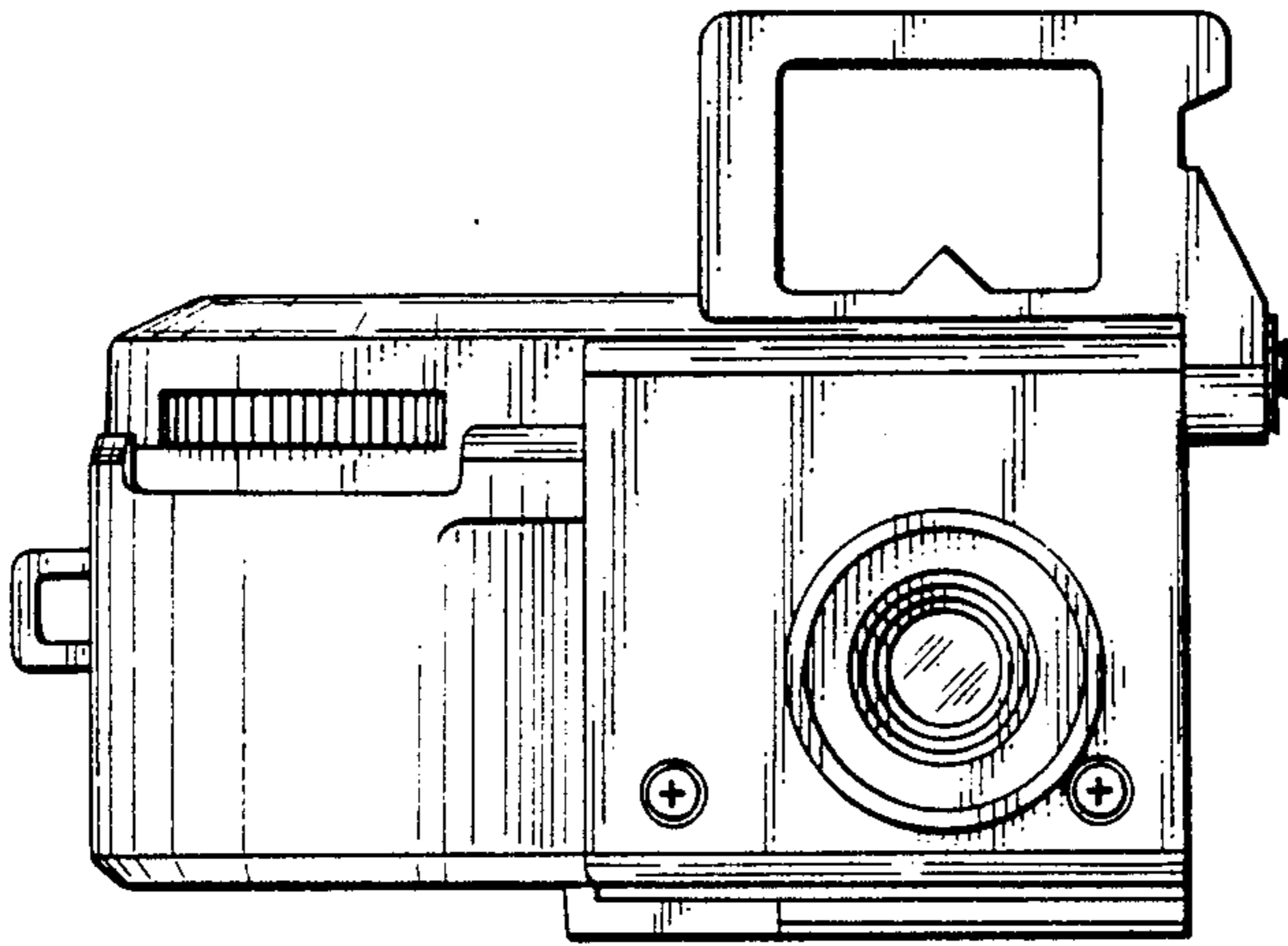


FIG. 4

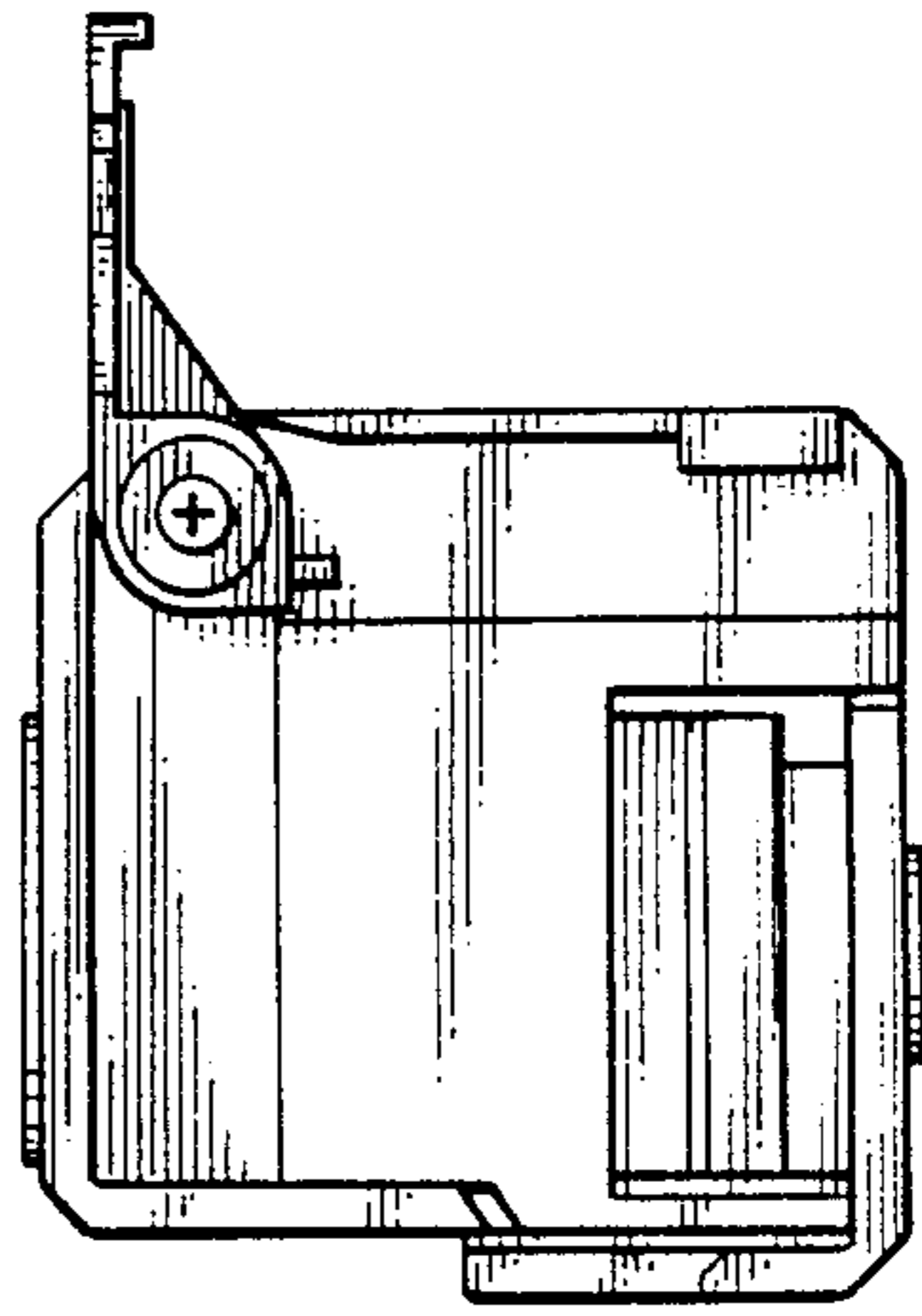


FIG. 5

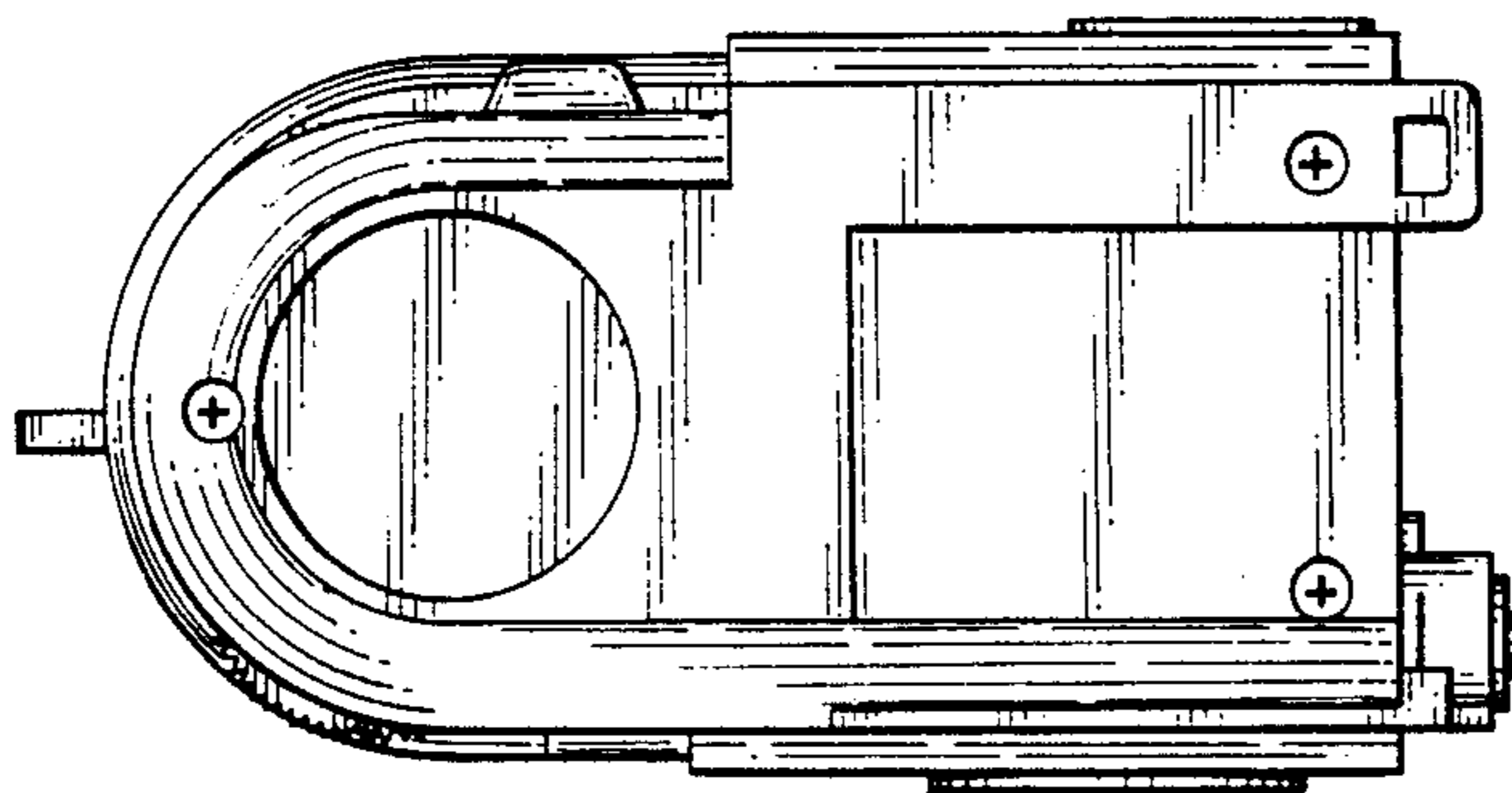


FIG. 6

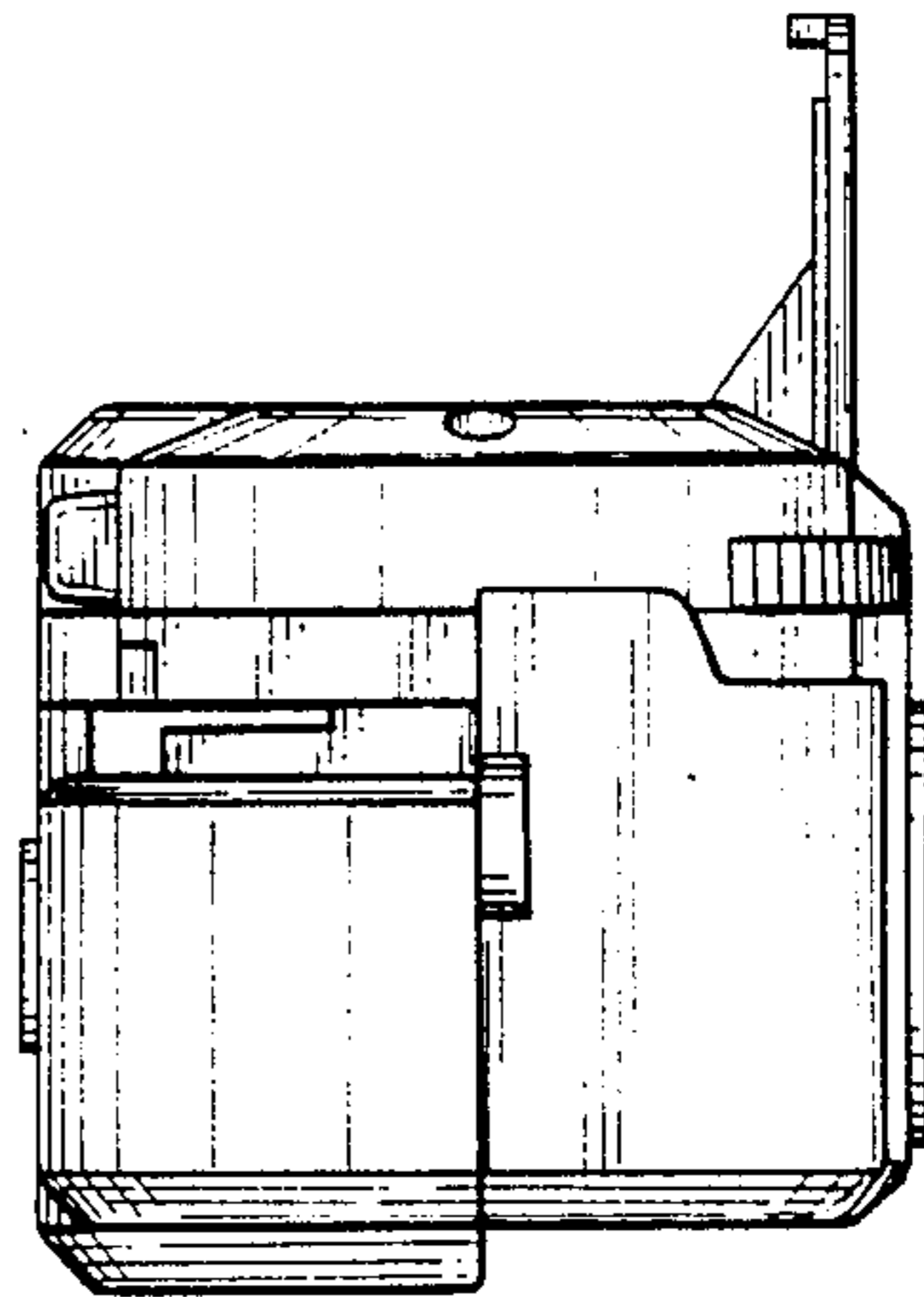


FIG. 7

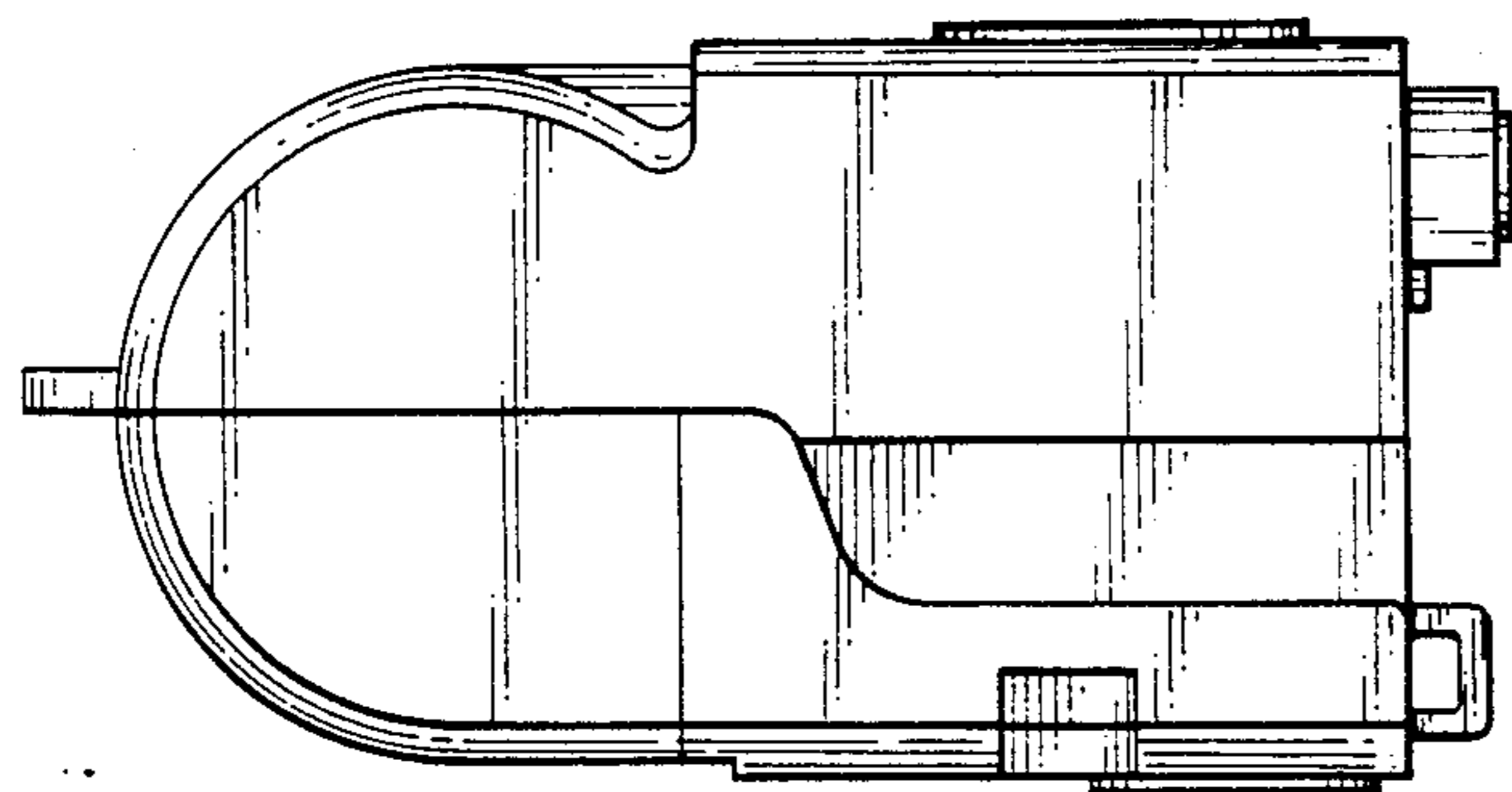


FIG. 8

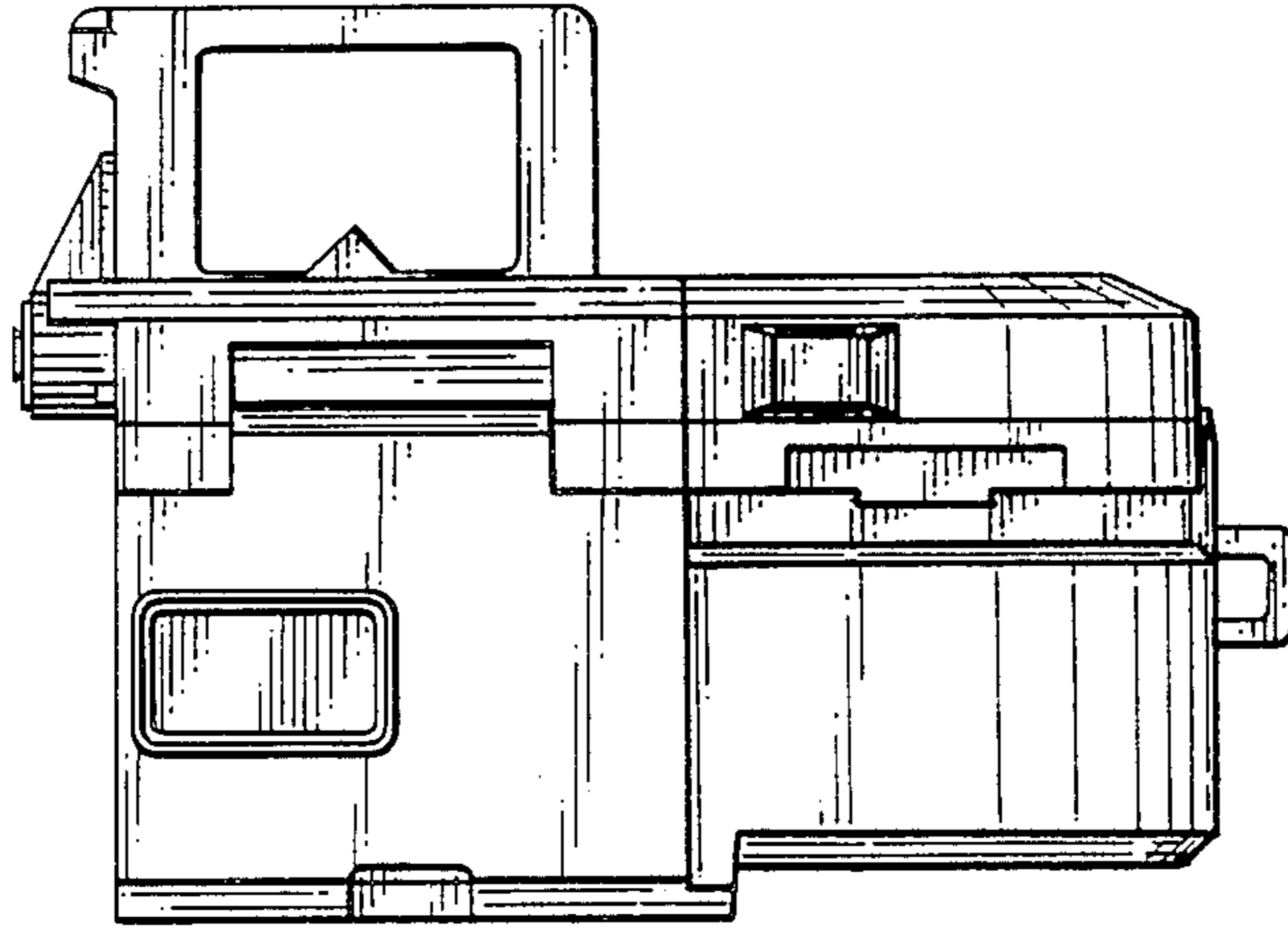


FIG. 9

