

[54] SEMI-AUTOMATIC STRAPPING MACHINE

[75] Inventors: Yasunori Sakaki; Tatsuo Aida, both of Tokyo, Japan

[73] Assignee: Strapack Corporation, Tokyo, Japan

[\*\*] Term: 14 Years

[21] Appl. No.: 809,994

[22] Filed: Dec. 17, 1985

[52] U.S. Cl. .... D15/145

[58] Field of Search ..... D15/145, 122, 199; 53/582, 592; 100/1, 8, 299

[56] References Cited

U.S. PATENT DOCUMENTS

- 1,935,814 11/1933 Paxton ..... 100/8
- 2,371,806 3/1945 Cooper ..... 100/8

- 3,129,655 4/1964 Fawcett et al. .... 53/582
- 3,135,192 6/1964 Derrickson ..... 100/8
- 3,996,719 12/1976 Dabrowski et al. .... 53/582

Primary Examiner—B. J. Bullock  
Attorney, Agent, or Firm—Jordan and Hamburg

[57] CLAIM

The ornamental design for a semi-automatic strapping machine, as shown and described.

DESCRIPTION

FIG. 1 is a front perspective view of a semi-automatic strapping machine, showing my new design;  
 FIG. 2 is a rear elevational view thereof;  
 FIG. 3 is a front elevational view thereof;  
 FIG. 4 is a top plan view thereof;  
 FIG. 5 is a left side elevational view thereof;  
 FIG. 6 is a right side elevational view thereof;  
 FIG. 7 is a bottom plan view thereof.

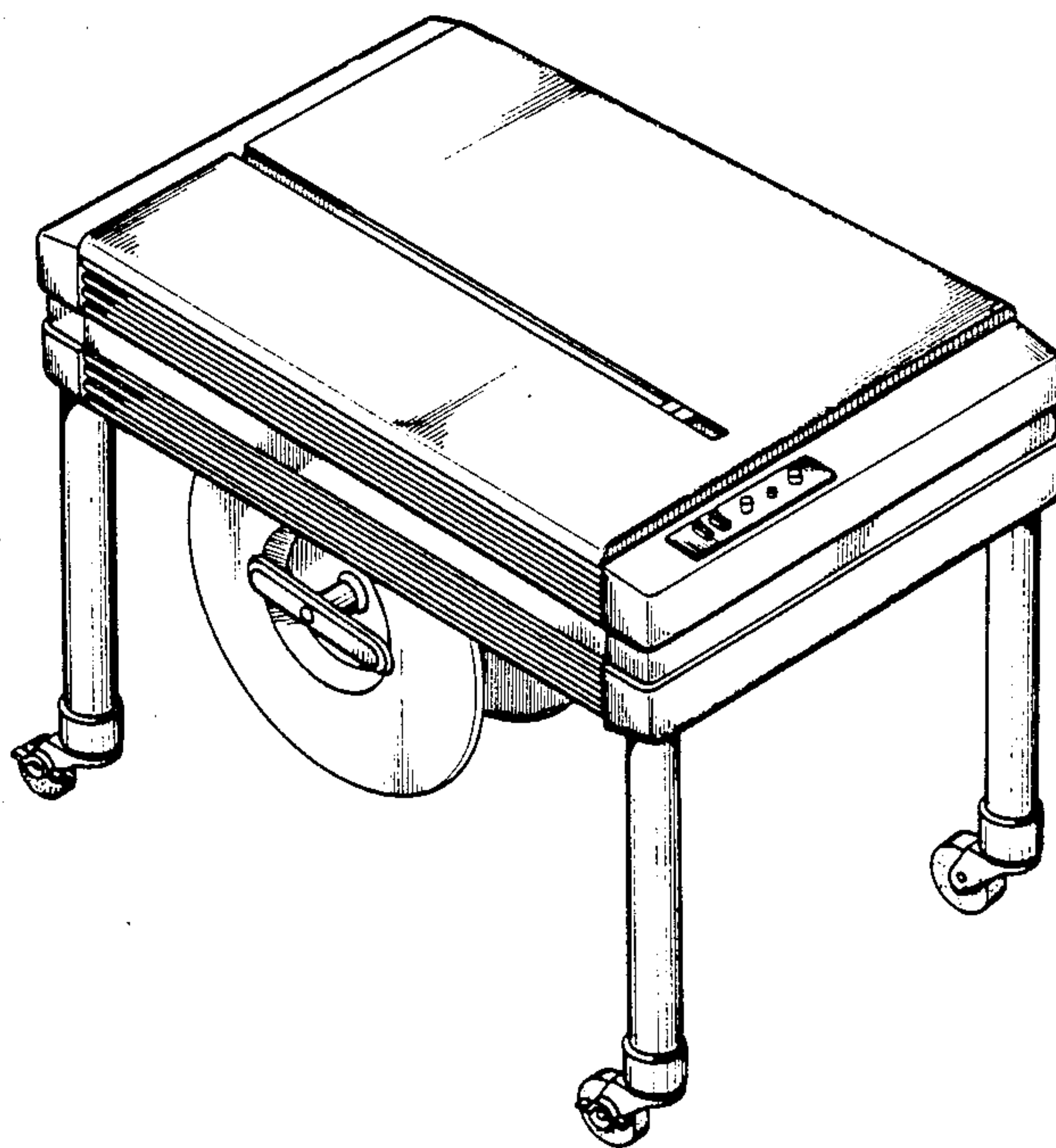


FIG. 2

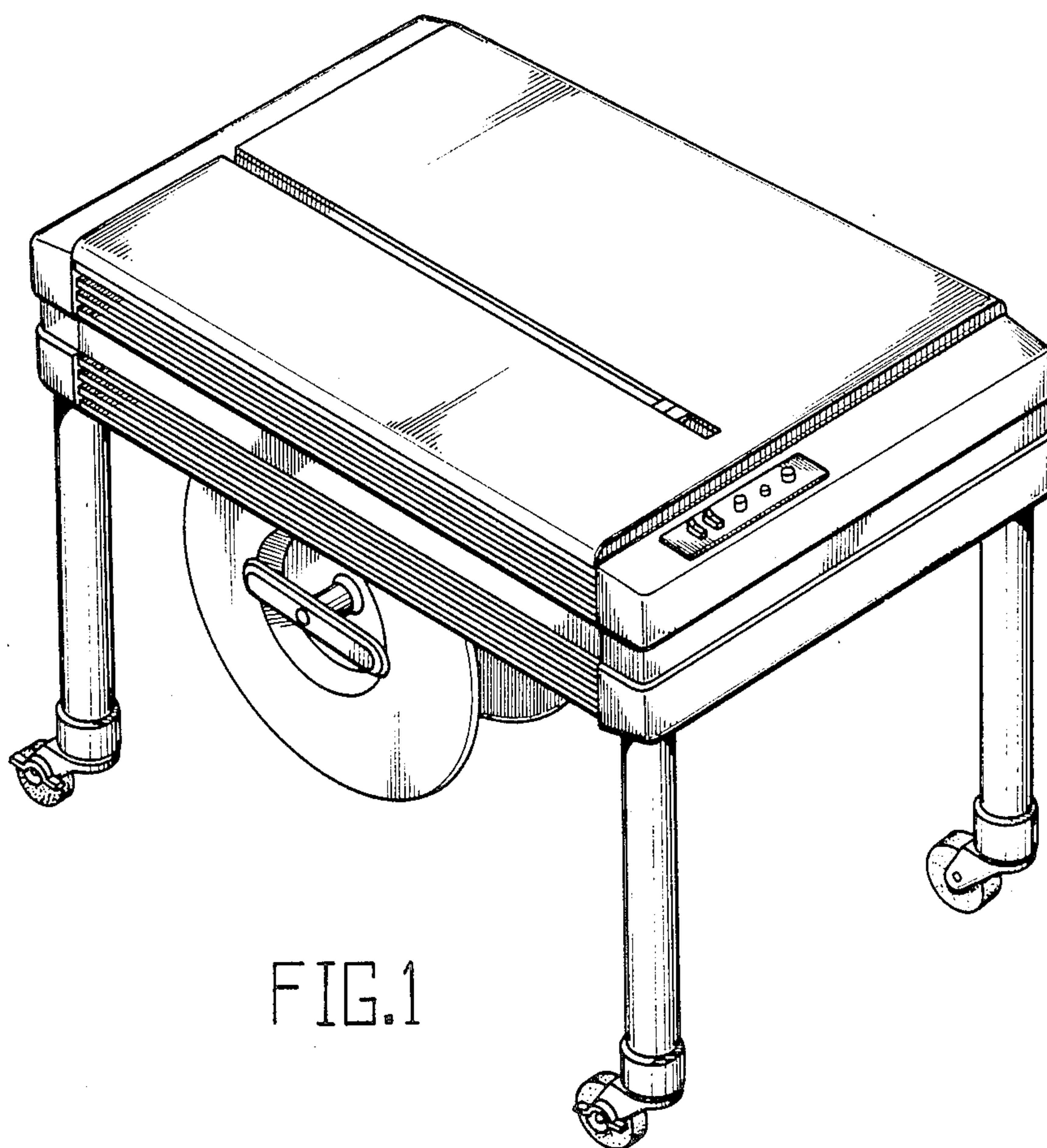
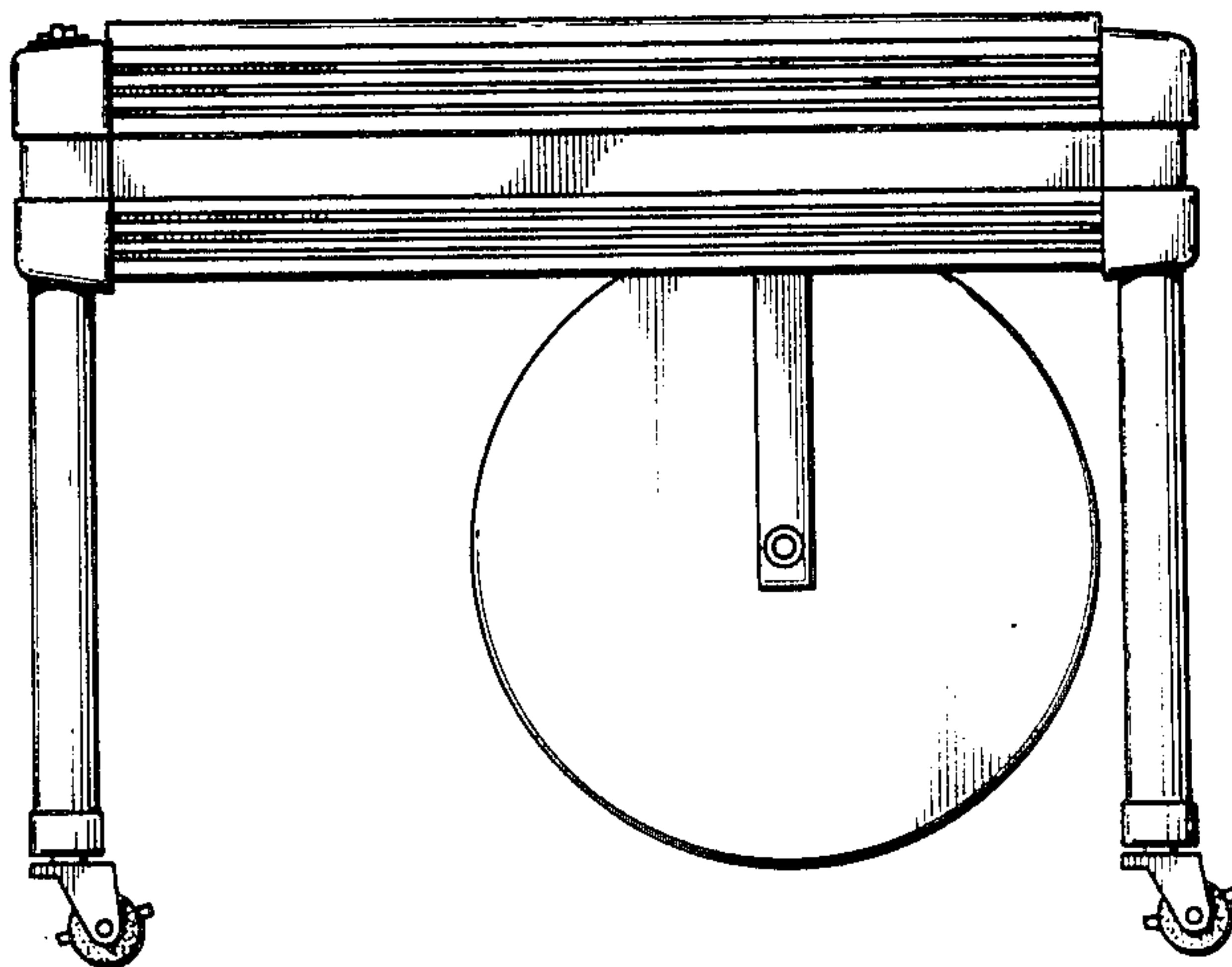


FIG. 1

FIG. 3

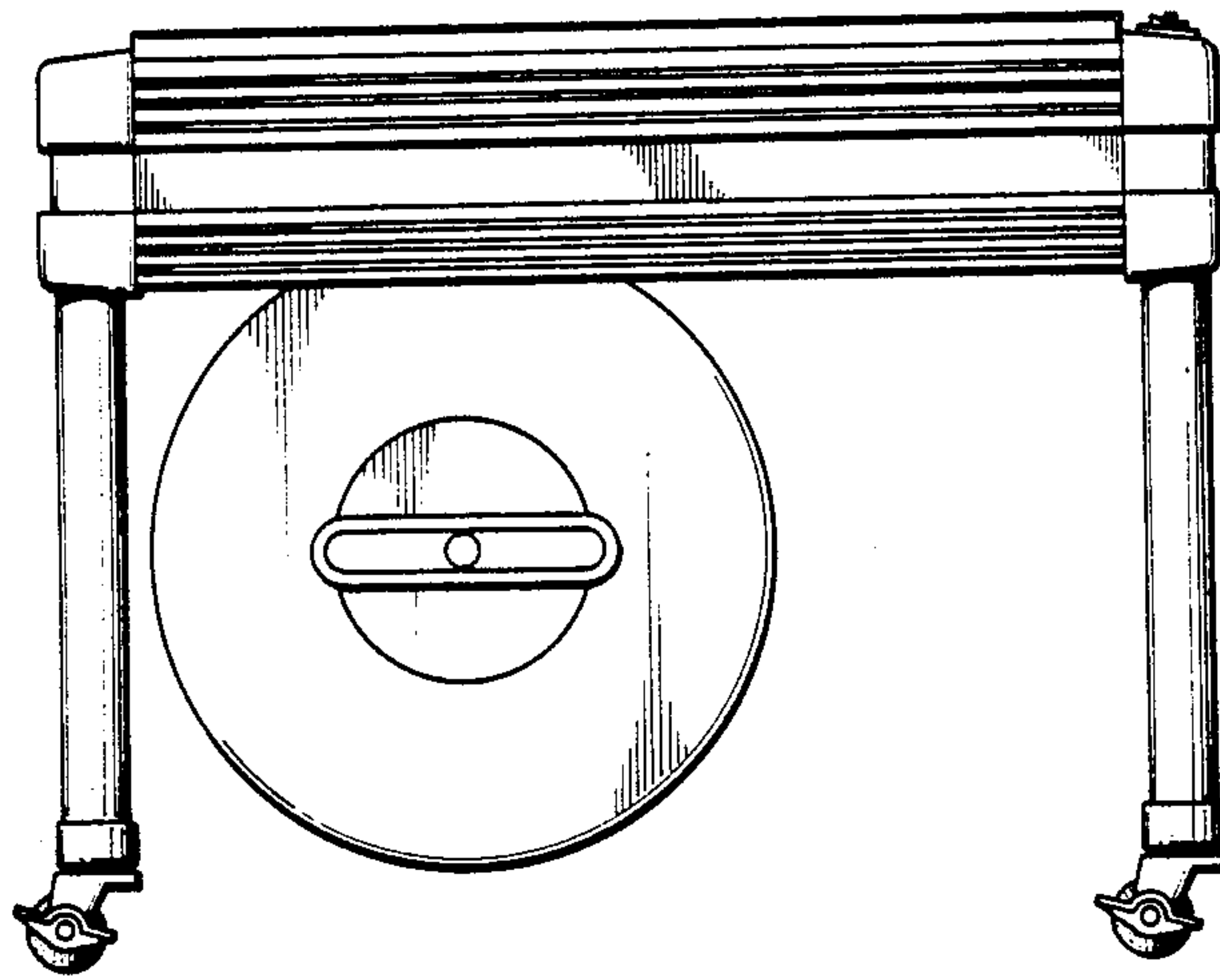


FIG. 4

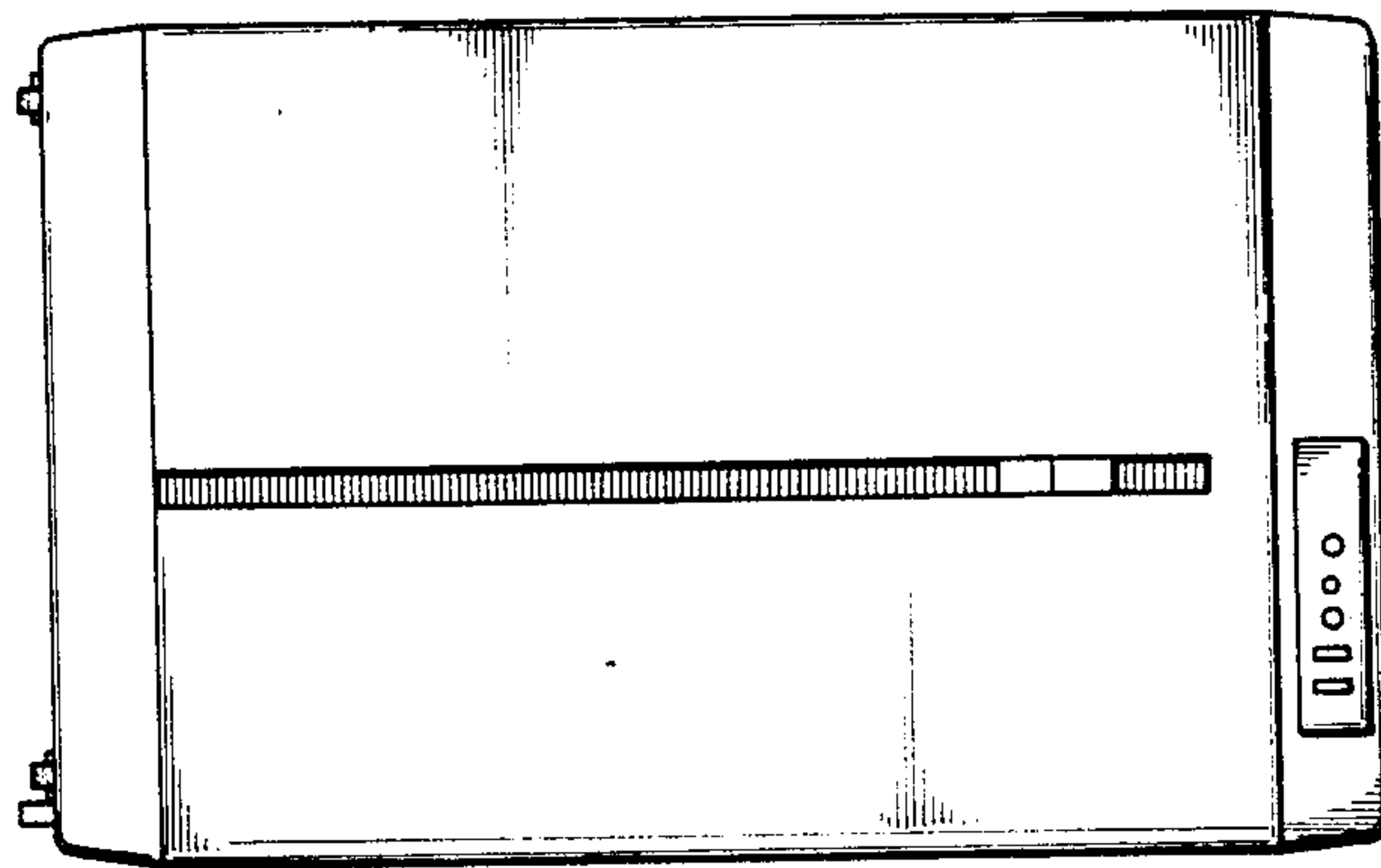


FIG. 5

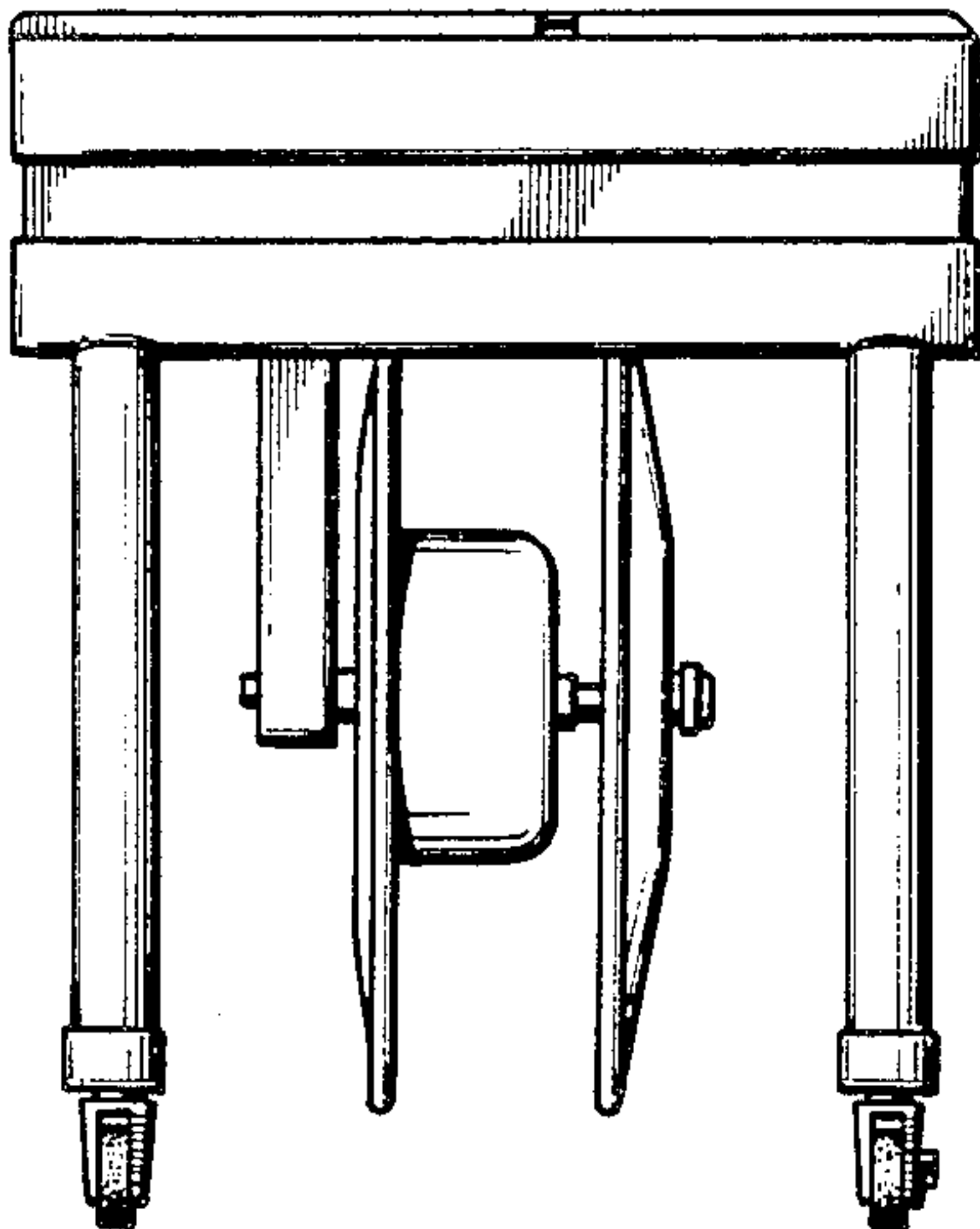


FIG. 6

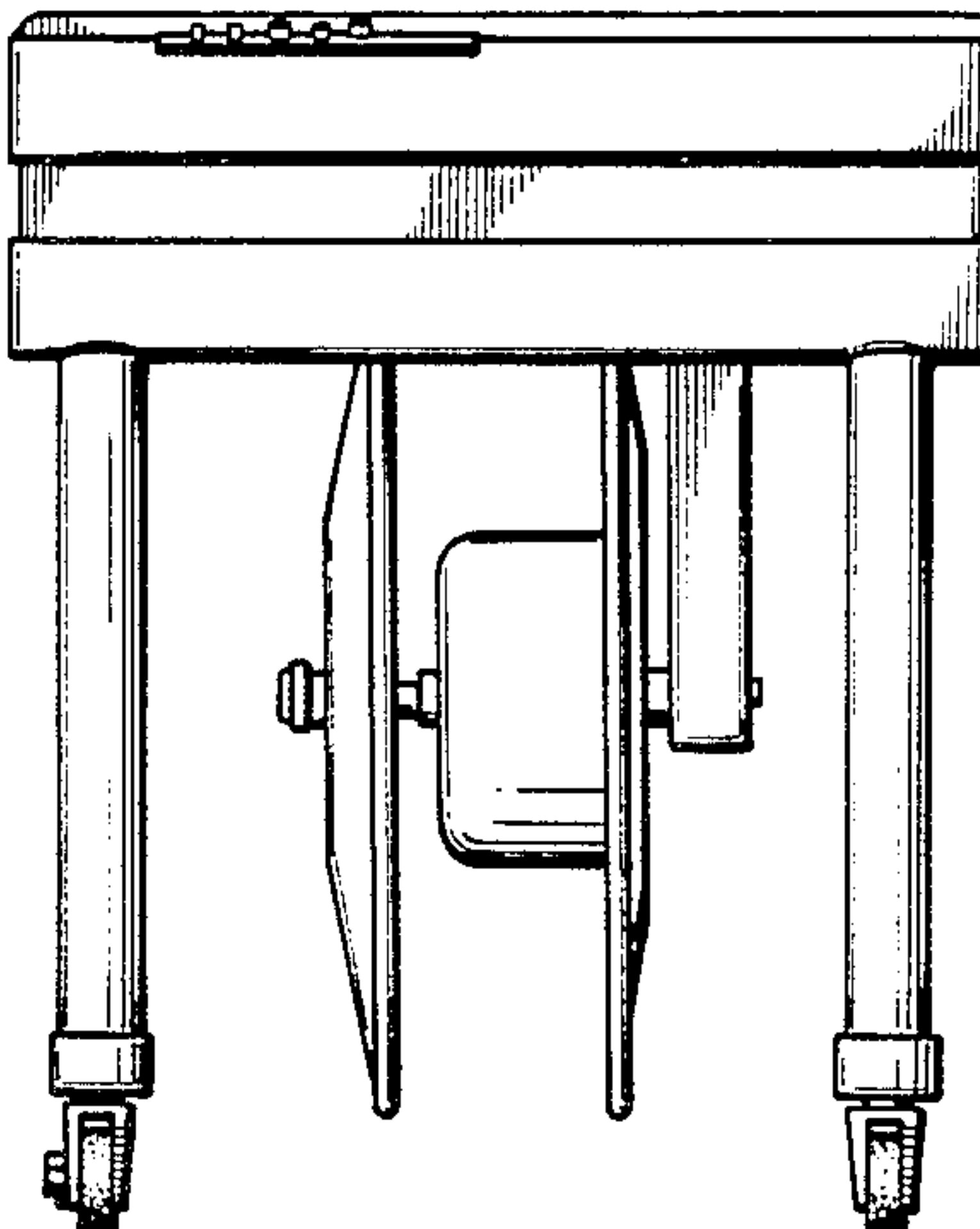


FIG. 7

