

[54] CUTTER FOR A PAVEMENT ROUTER

[56]

References Cited

[75] Inventors: Douglas E. Rowan, Caledon East;  
John E. Van Wagner, Bolton, both of  
Canada

U.S. PATENT DOCUMENTS

2,701,134	2/1955	Klicpera .....	299/39
2,720,229	10/1955	Drake .....	407/61
3,940,835	3/1976	Friedline et al. ....	407/58

[73] Assignee: Marathon Equipment Ltd., Weston,  
Canada

FOREIGN PATENT DOCUMENTS

1017544	3/1950	France .....	407/33
1358756	3/1964	France .....	407/61
524264	4/1955	Italy .....	407/58
578519	7/1946	United Kingdom .....	407/33

[\*\*] Term: 14 Years

Primary Examiner—Wallace R. Burke  
Assistant Examiner—Ruth Takemoto

[21] Appl. No.: 737,061

[22] Filed: May 23, 1985

[57] CLAIM

The ornamental design for a cutter for a pavement router, substantially as shown.

[30] Foreign Application Priority Data

Mar. 15, 1985 [CA] Canada ..... 15-03-85-1

[52] U.S. Cl. .... D15/28

[58] Field of Search ..... D15/28-29,  
D15/138-139, 133; 83/835, 837, 846, 854, 665,  
676; 172/555-556; 299/40, 55, 79, 85, 86, 89,  
90, 91, 39; 30/276, 347, 355, 388; 407/33, 56,  
58, 61; D8/7-9, 20, 98; 37/189; 125/15, 3;  
51/206 R, 206 P, 209 R; 404/90

DESCRIPTION

FIG. 1 is a perspective view of the cutter for a pavement router, showing our new design;  
FIG. 2 is a side elevational view thereof, the opposite side being a mirror image; and  
FIG. 3 is an end elevational view thereof, the opposite side being a mirror image.

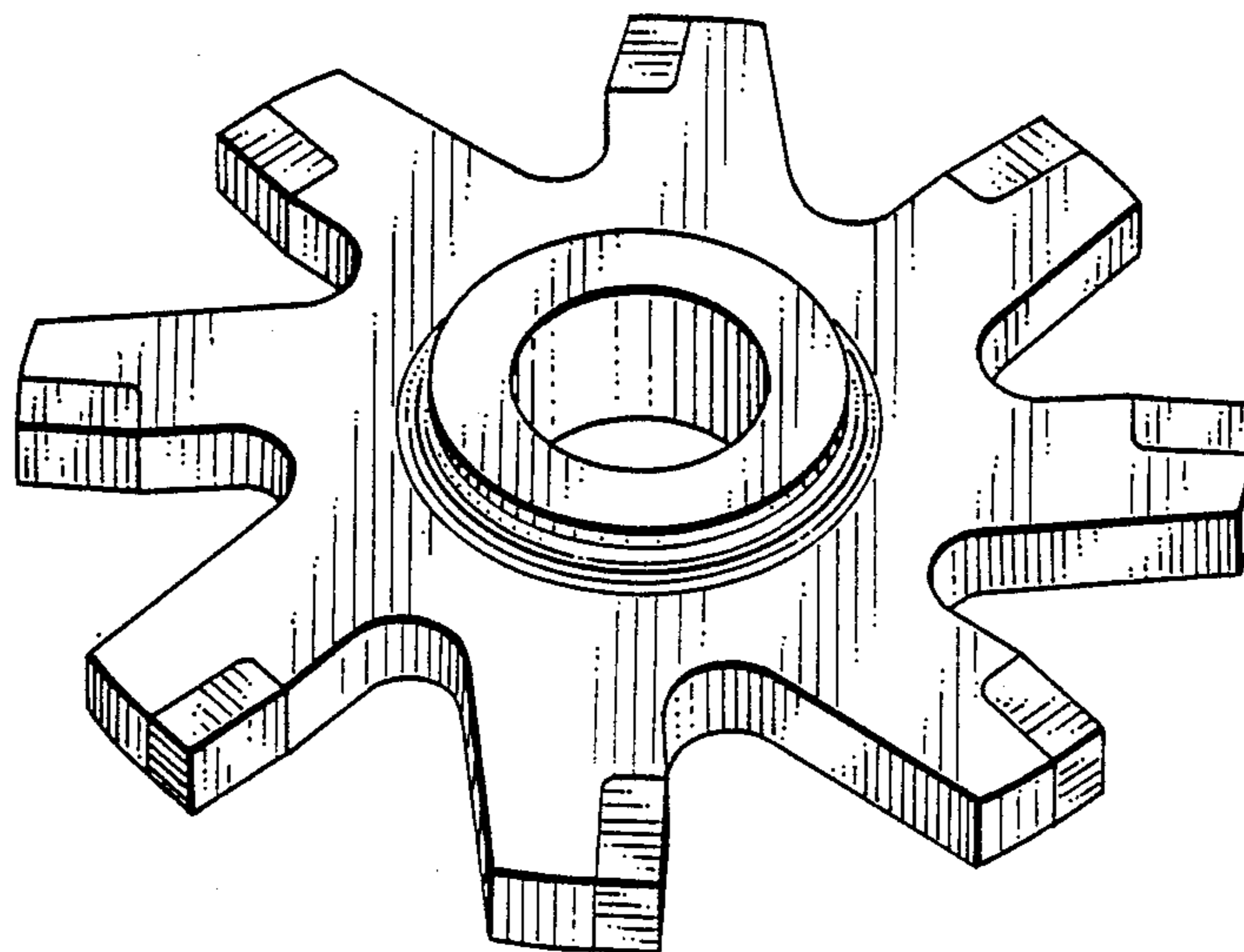


FIG. 1

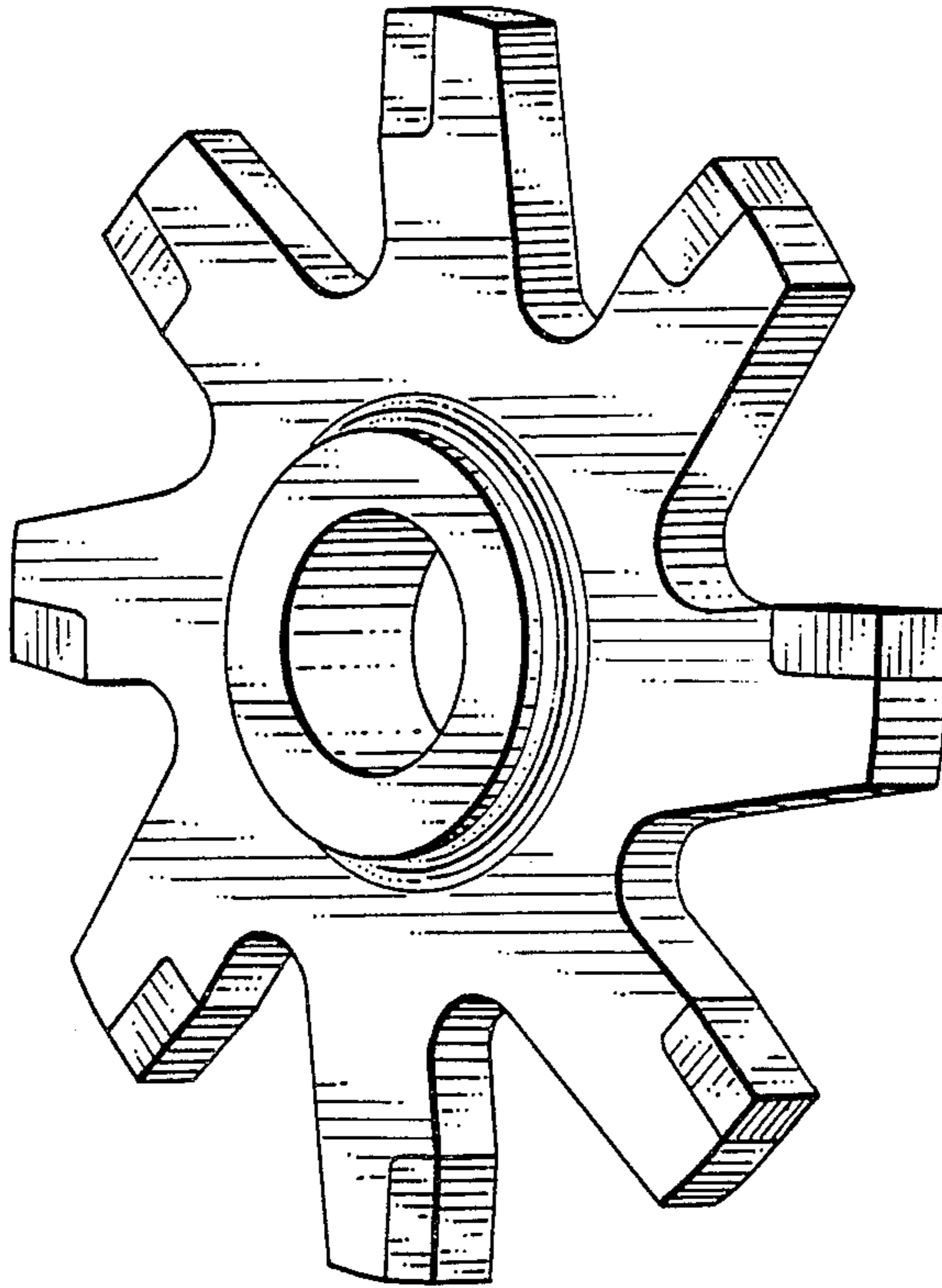


FIG. 2

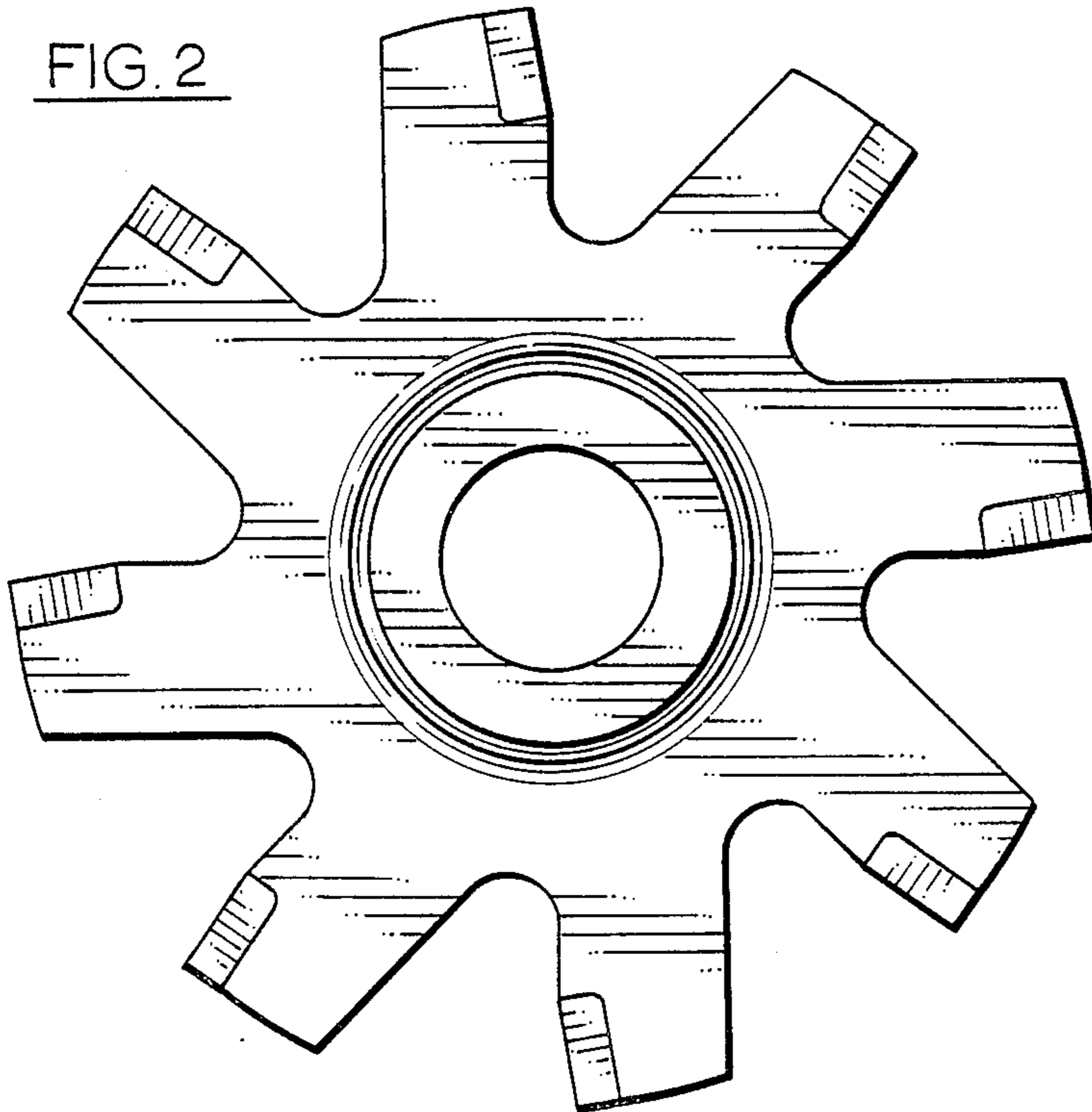


FIG. 3

