

[54] EXCAVATING MACHINE

[75] Inventor: John W. Gano, New Philadelphia, Ohio

[73] Assignee: The Gradall Company, New Philadelphia, Ohio

[**] Term: 14 Years

[21] Appl. No.: 728,511

[22] Filed: Apr. 29, 1985

[52] U.S. Cl. D15/25

[58] Field of Search D15/10, 23, 25, 30-32; 414/685, 690, 694, 718, 722

4,015,730	4/1977	Symmark	414/718
4,376,612	3/1983	Yéou	414/694
4,381,900	5/1983	Schlottman	414/718
4,395,192	7/1983	Schlaflly	414/718
4,516,655	5/1985	Donahue et al.	180/321

Primary Examiner—Wallace R. Burke
Assistant Examiner—Ruth Takemoto
Attorney, Agent, or Firm—Kirkpatrick & Lockhart

[57] CLAIM

The ornamental design for an excavating machine, substantially as shown and described.

DESCRIPTION

FIG. 1 is a side elevational view of an excavating machine showing my new design;
FIG. 2 is a side elevational view thereof of the opposite side of FIG. 1;
FIG. 3 is a front elevational view thereof;
FIG. 4 is a rear elevational view thereof;
FIG. 5 is a top plan view thereof; and
FIG. 6 is a top, front and side perspective view thereof.
The bottom of the excavating machine is unadorned.

[56] References Cited

U.S. PATENT DOCUMENTS

D. 245,503	8/1977	Adams et al.	D15/25
D. 264,590	5/1982	Thomas	D15/21
3,329,291	8/1965	Przybylski et al.	214/141
3,587,886	6/1971	Gano et al.	214/141
3,902,295	9/1975	Yancey	414/722

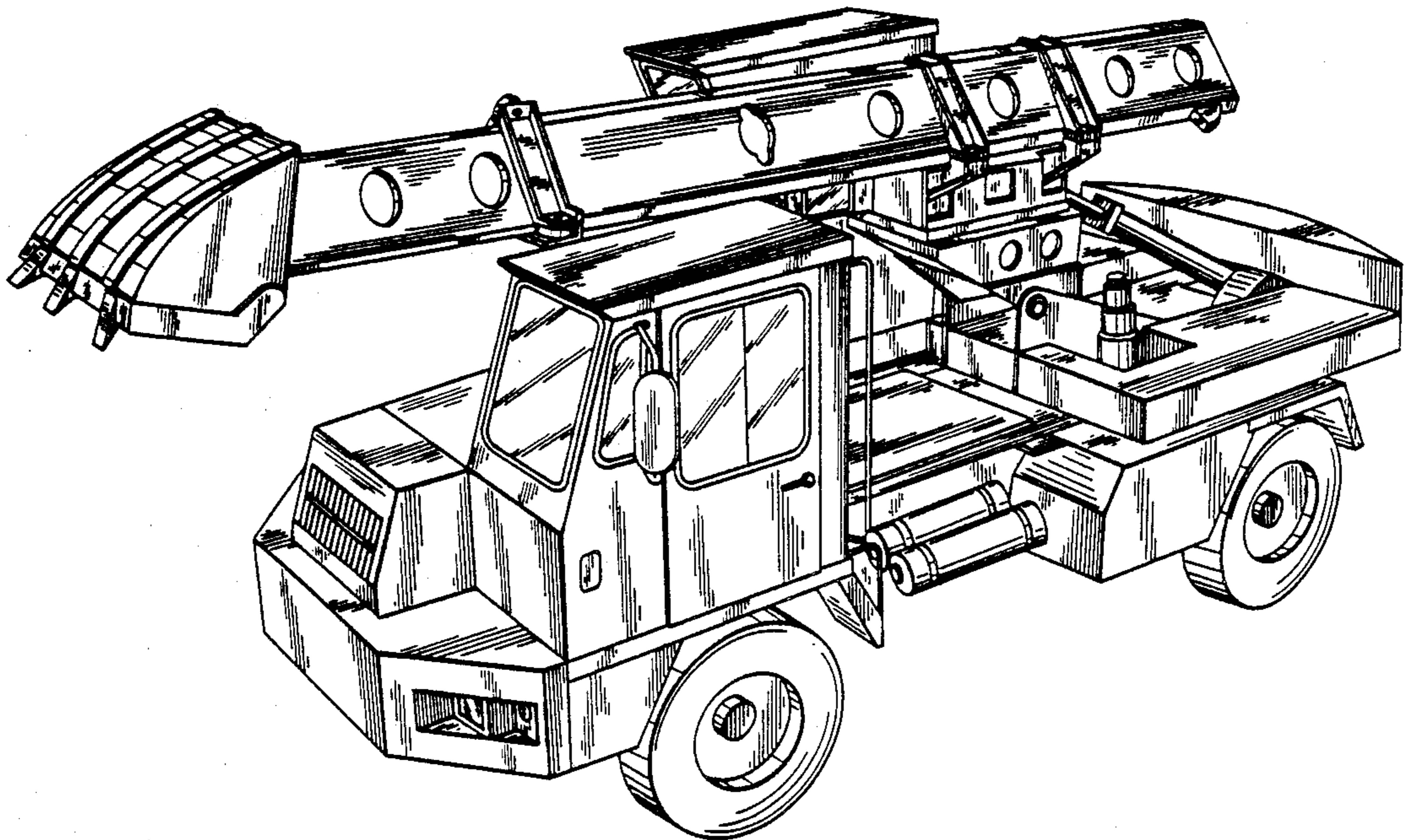


Fig. 1.

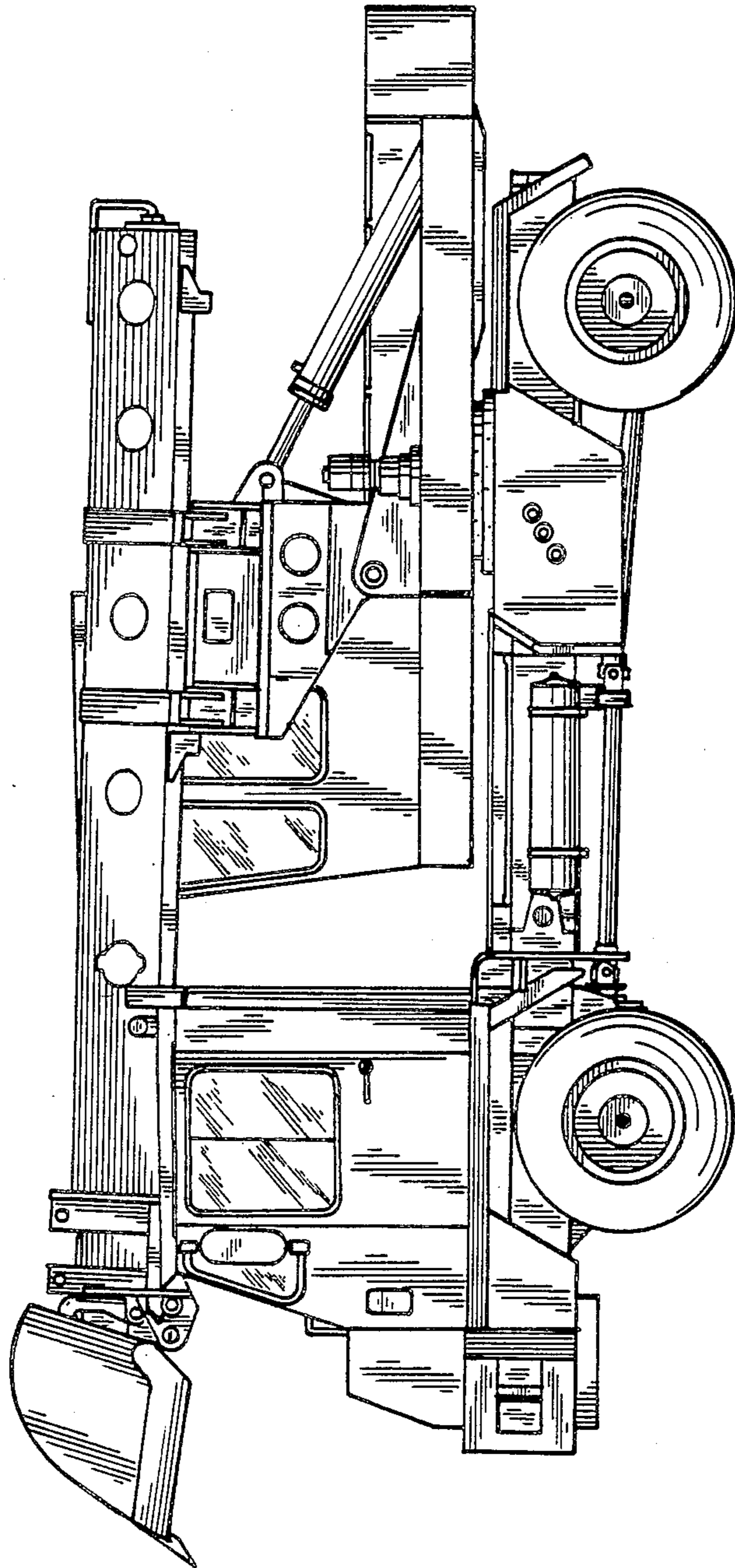


Fig. 2.

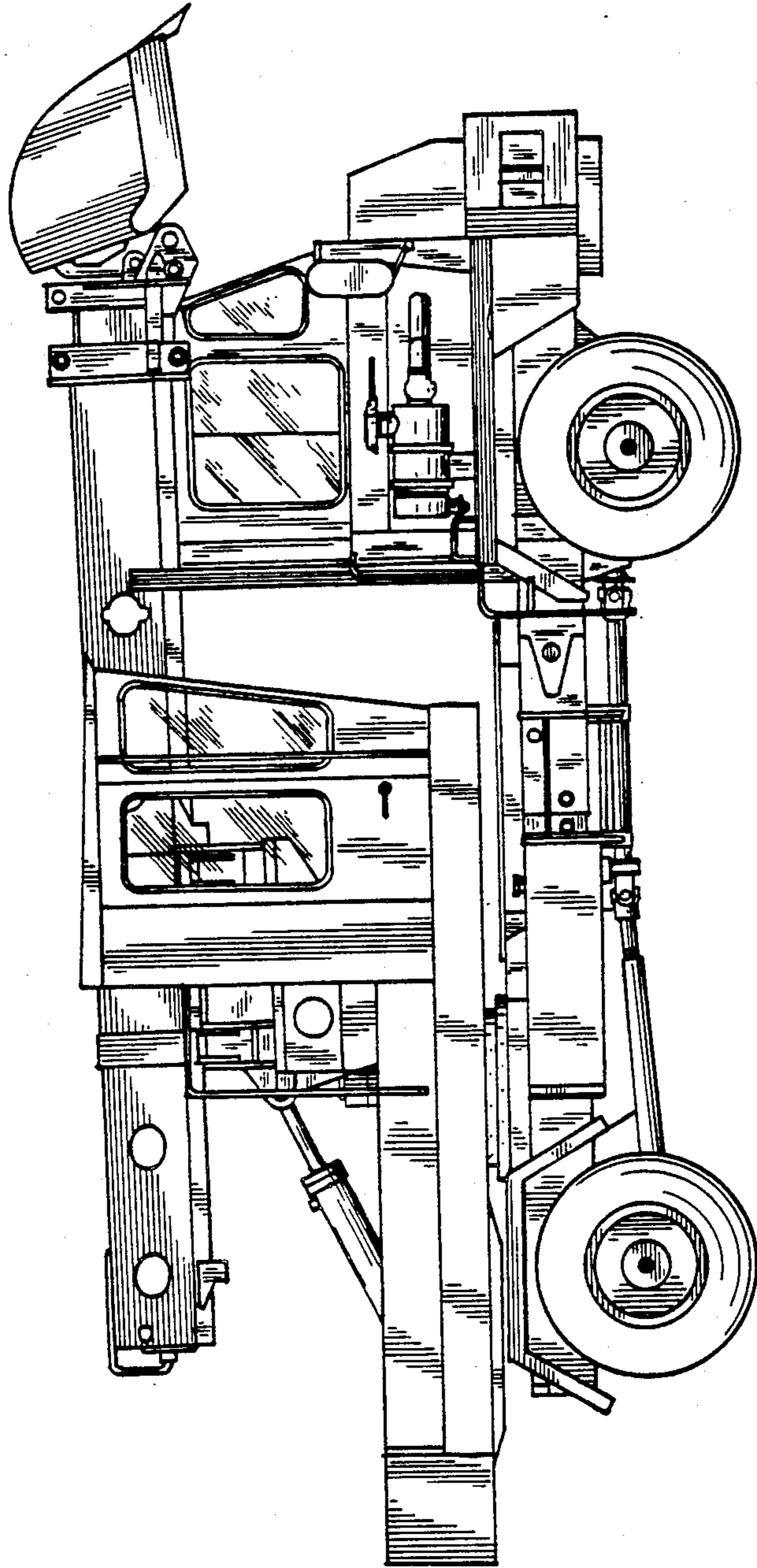


Fig. 3.

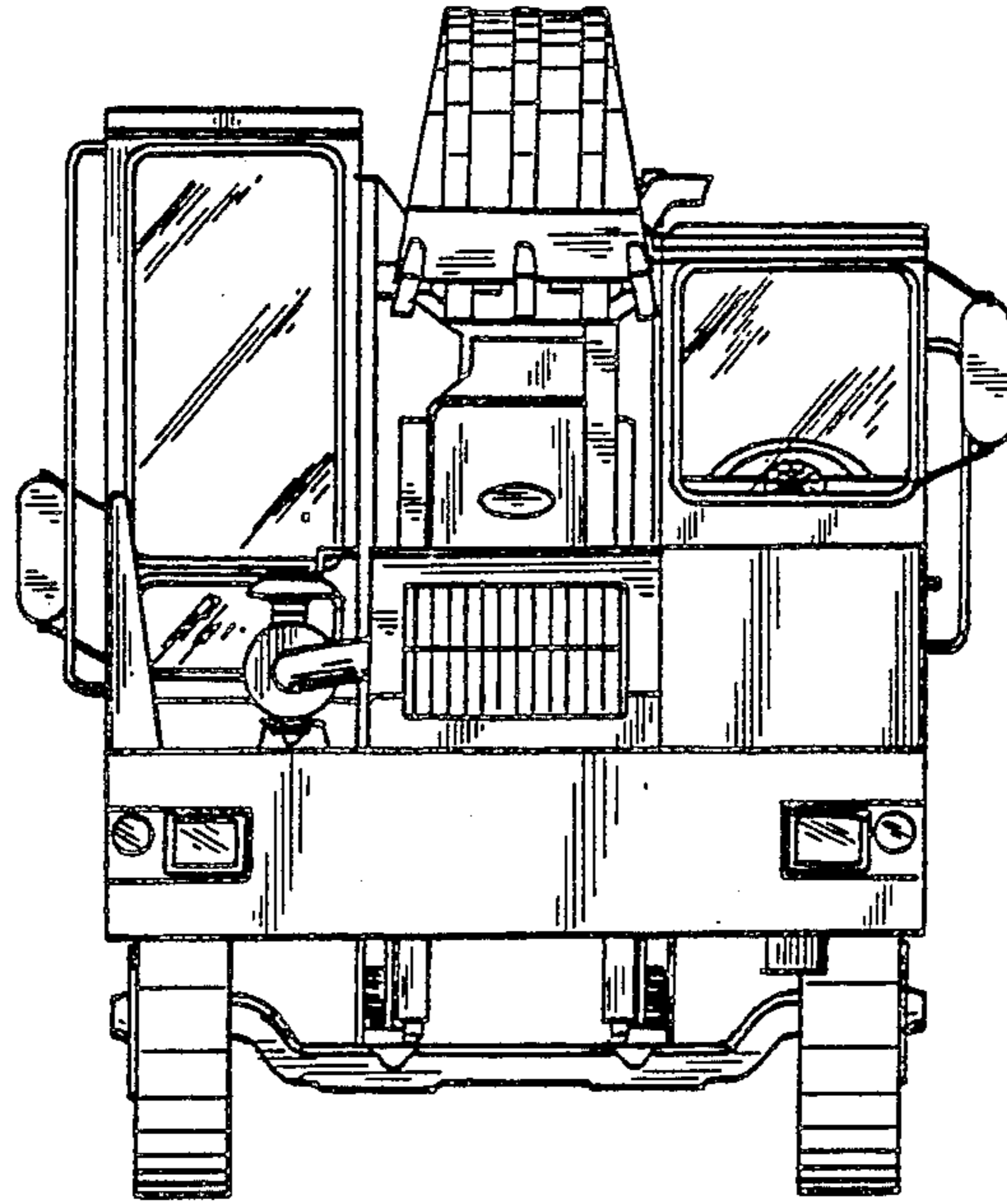


Fig. 4.

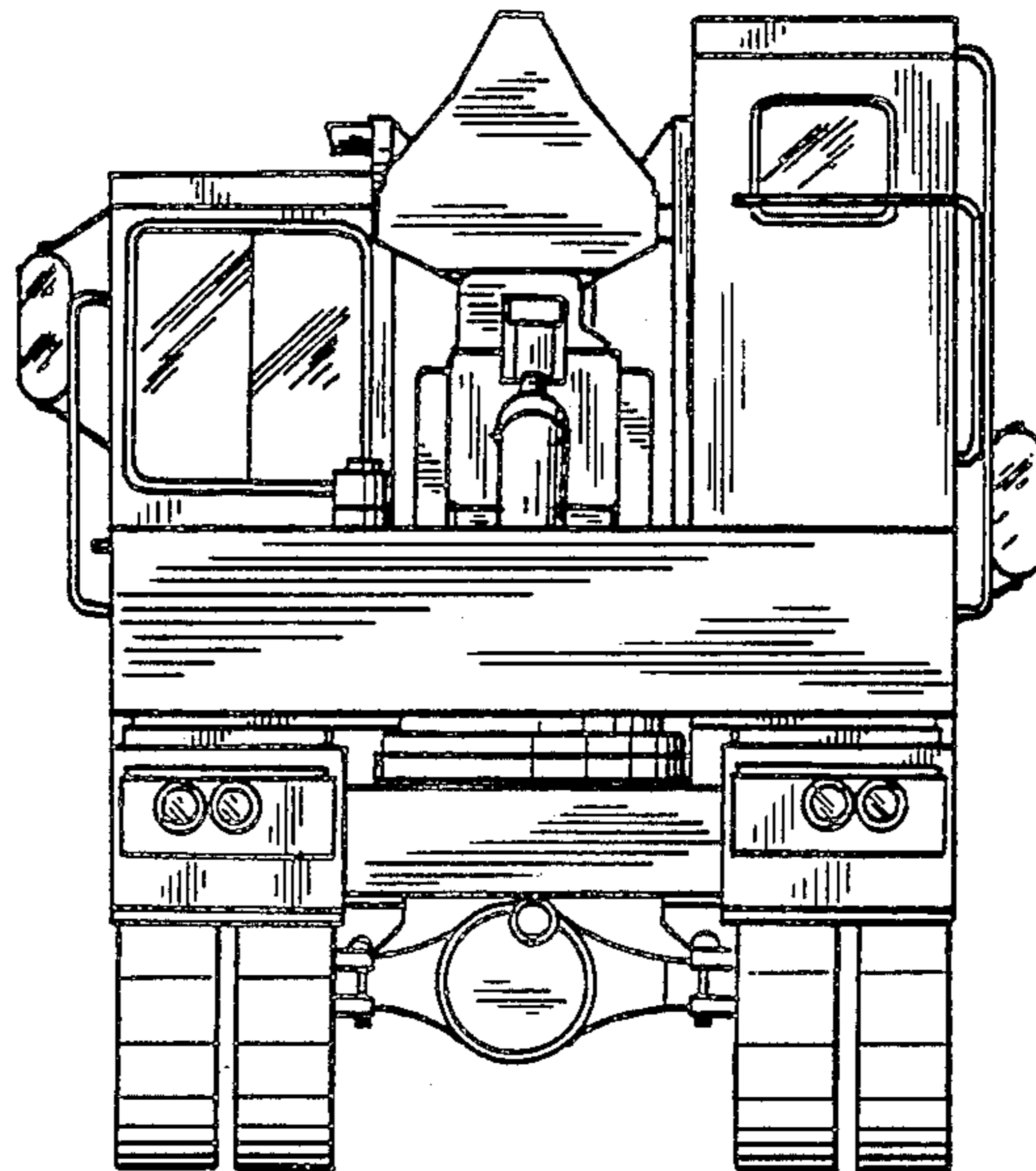
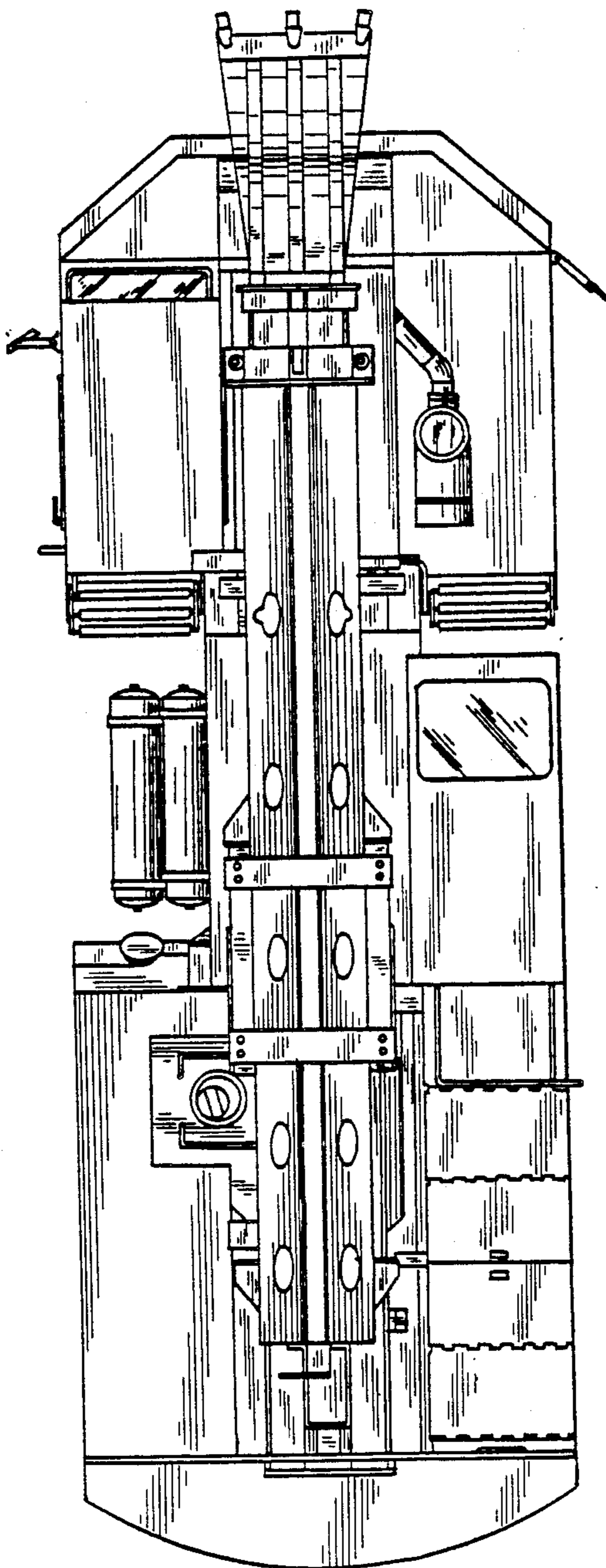


Fig. 5.



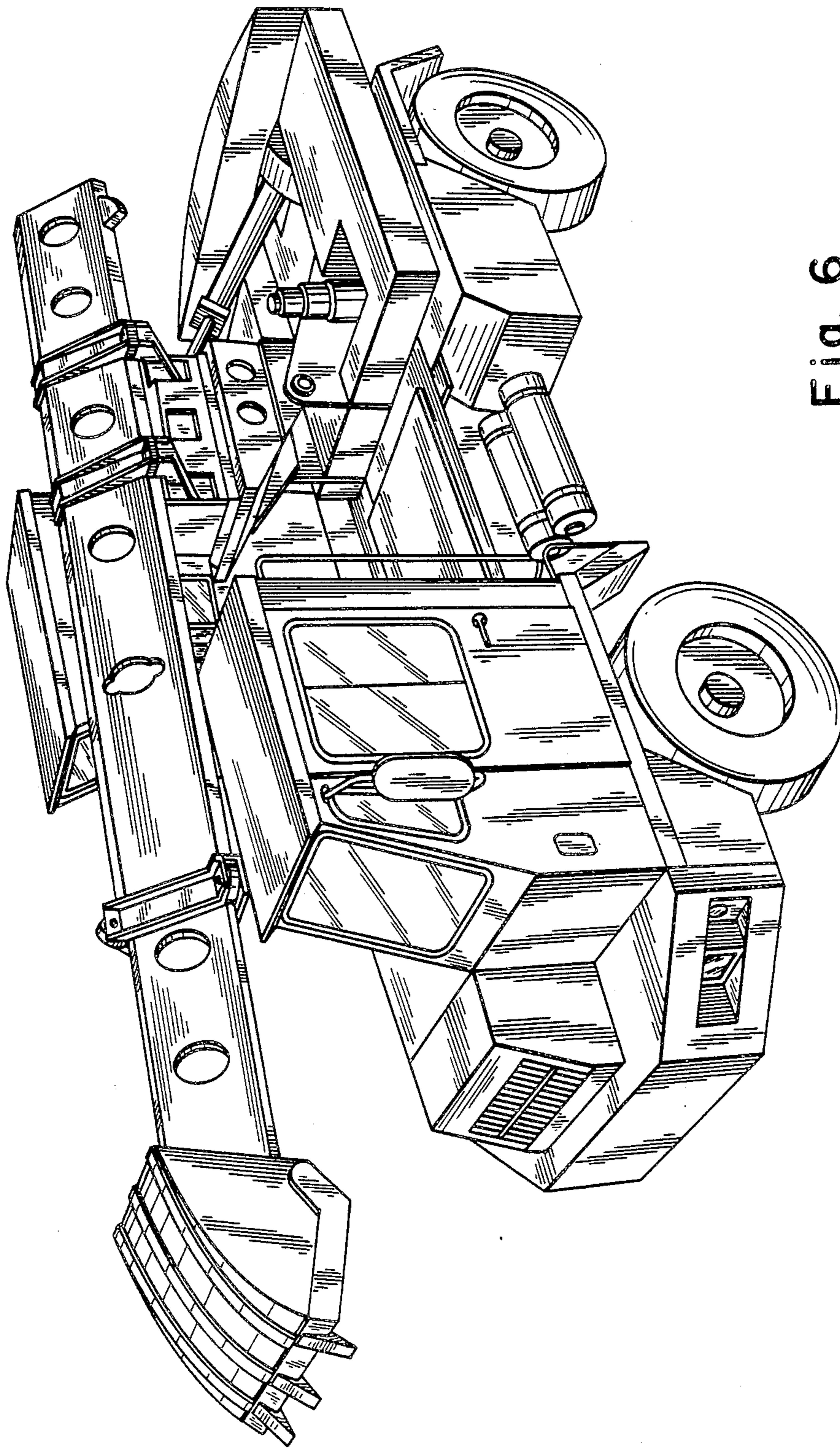


Fig. 6