

[54] LOTTERY TERMINAL

[75] Inventors: Leslie King, Hampstead, Md.; Stephen Albert, Palo Alto; Joe Munsch, Saratoga, both of Calif.; Joe McArdle, Sunnyvale; Marland Chow, San Jose, both of Calif.

[73] Assignee: General Instrument Corp., New York, N.Y.

[**] Term: 14 Years

[21] Appl. No.: 803,982

[22] Filed: Nov. 8, 1985

[52] U.S. Cl. D14/106

[58] Field of Search D14/100, 102, 105, 106, D14/107; D18/1, 2, 3, 4, 7; 364/708; 235/375, 380, 381; 340/365 R; D21/37, 38

[56] References Cited

U.S. PATENT DOCUMENTS

D. 270,730 9/1983 Kando et al. D14/106
D. 286,654 11/1986 Picard D14/100 X

Primary Examiner—Susan J. Lucas
Attorney, Agent, or Firm—James & Franklin

[57] CLAIM

The ornamental design for a lottery terminal, substantially as shown and described.

DESCRIPTION

FIG. 1 is a front perspective view of a lottery terminal showing our new design with the display module in the down position.

FIG. 2 is a side elevational view thereof as seen from the left hand side of FIG. 1;

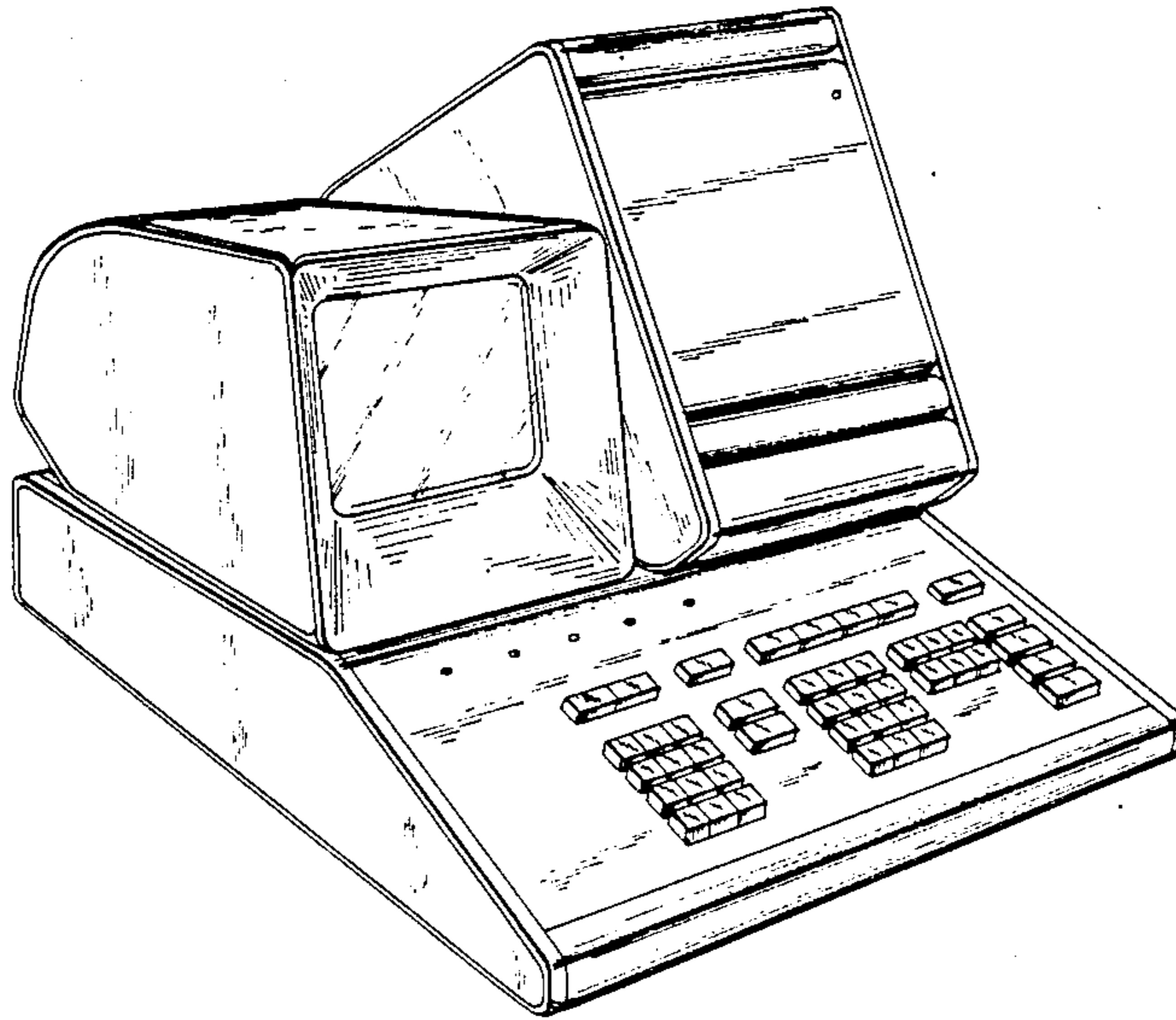
FIG. 3 is a side elevational view thereof as seen from the right hand side of FIG. 1;

FIG. 4 is a front elevational view thereof;

FIG. 5 is a rear elevational view thereof;

FIG. 6 is a top planar view thereof; and

FIG. 7 is a front perspective view thereof with the display module in the up position.



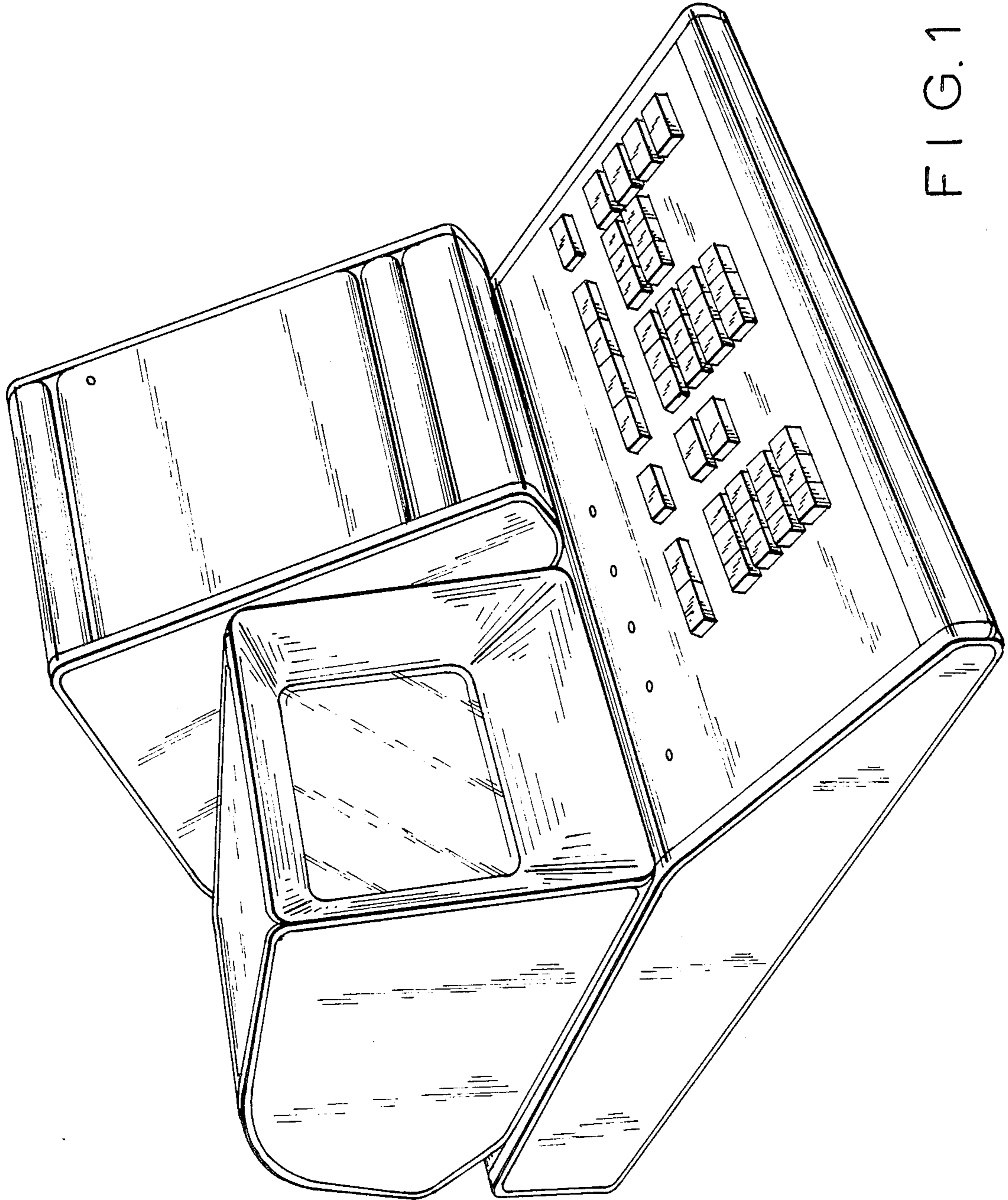


FIG. 1

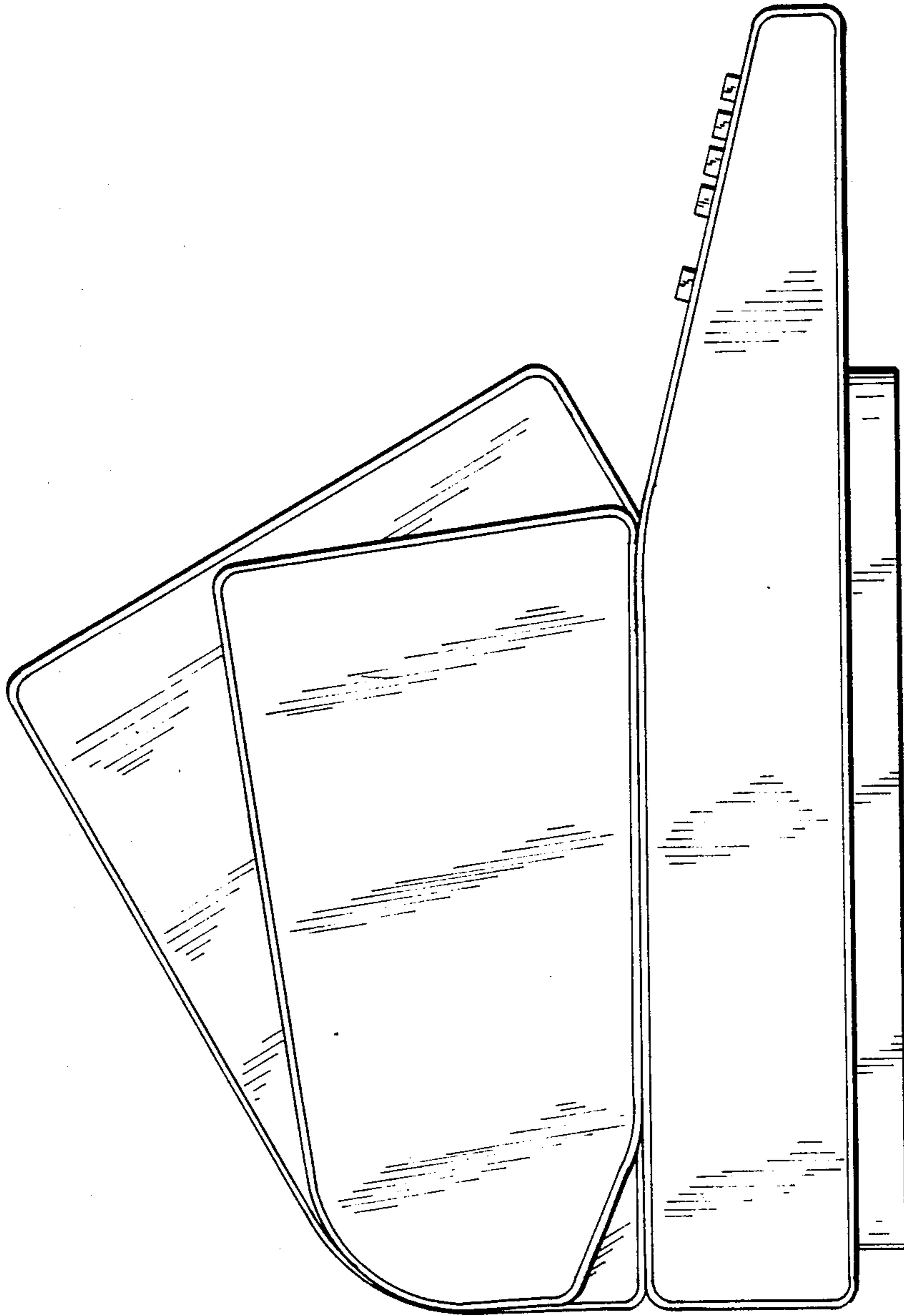


FIG. 2

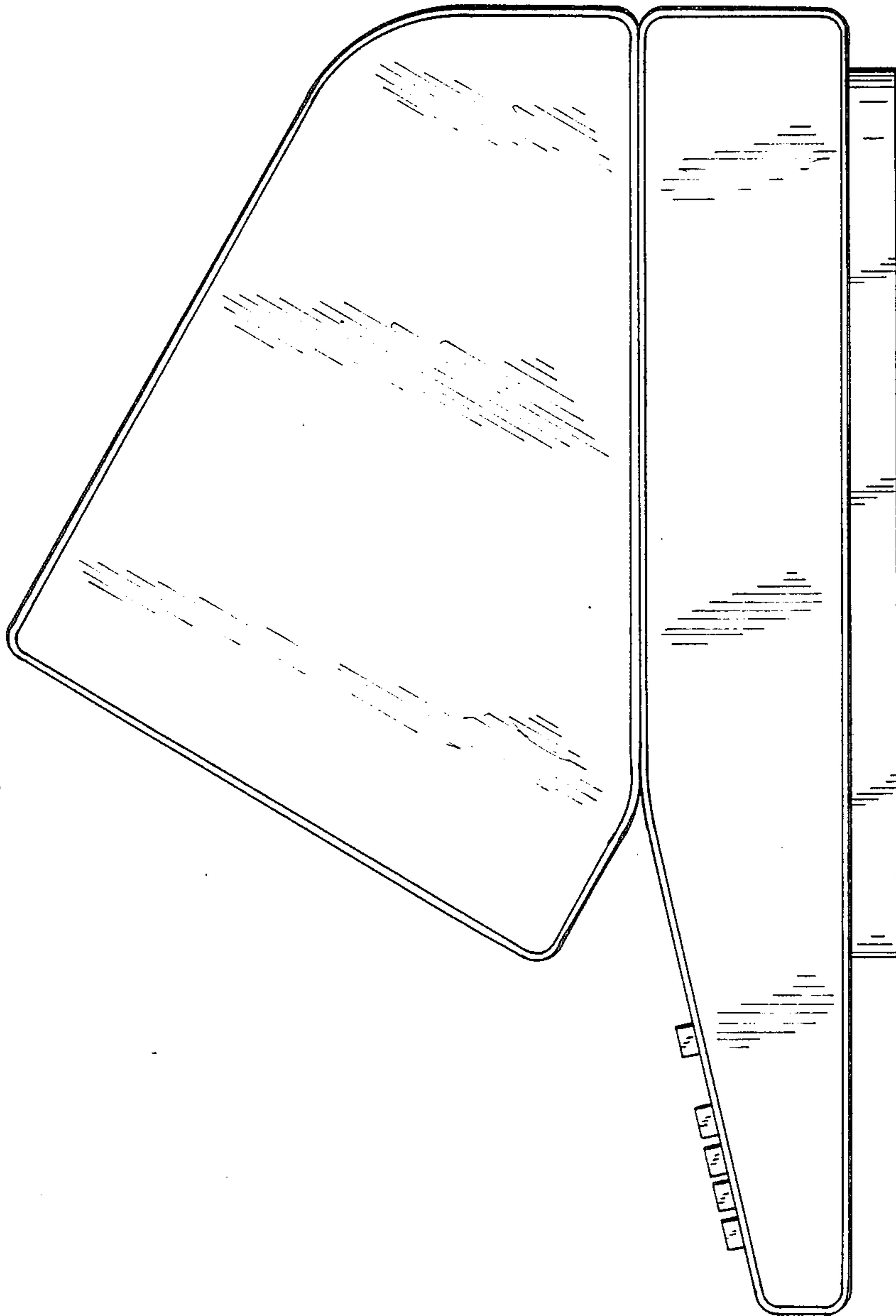


FIG. 3

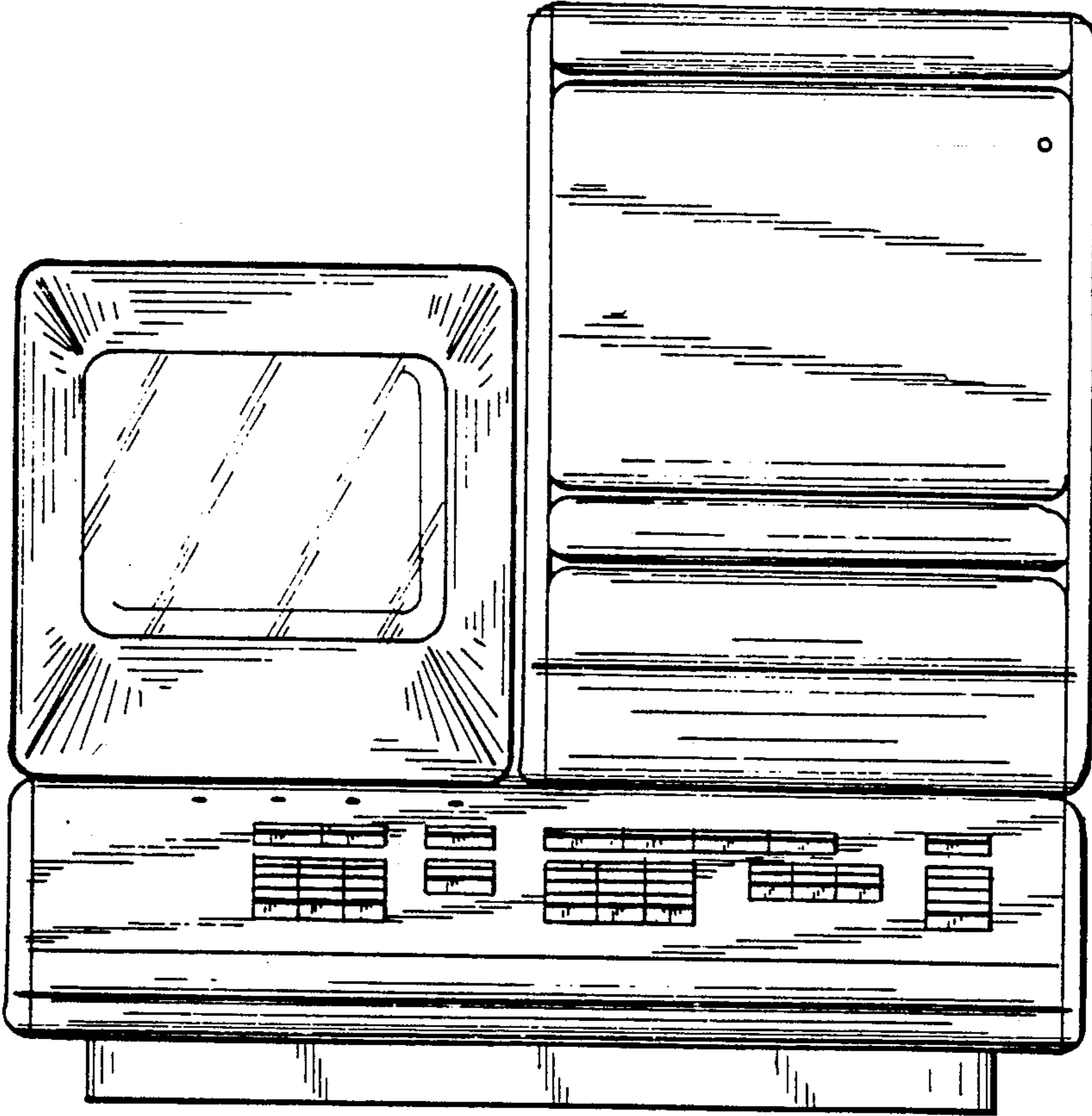


FIG. 4

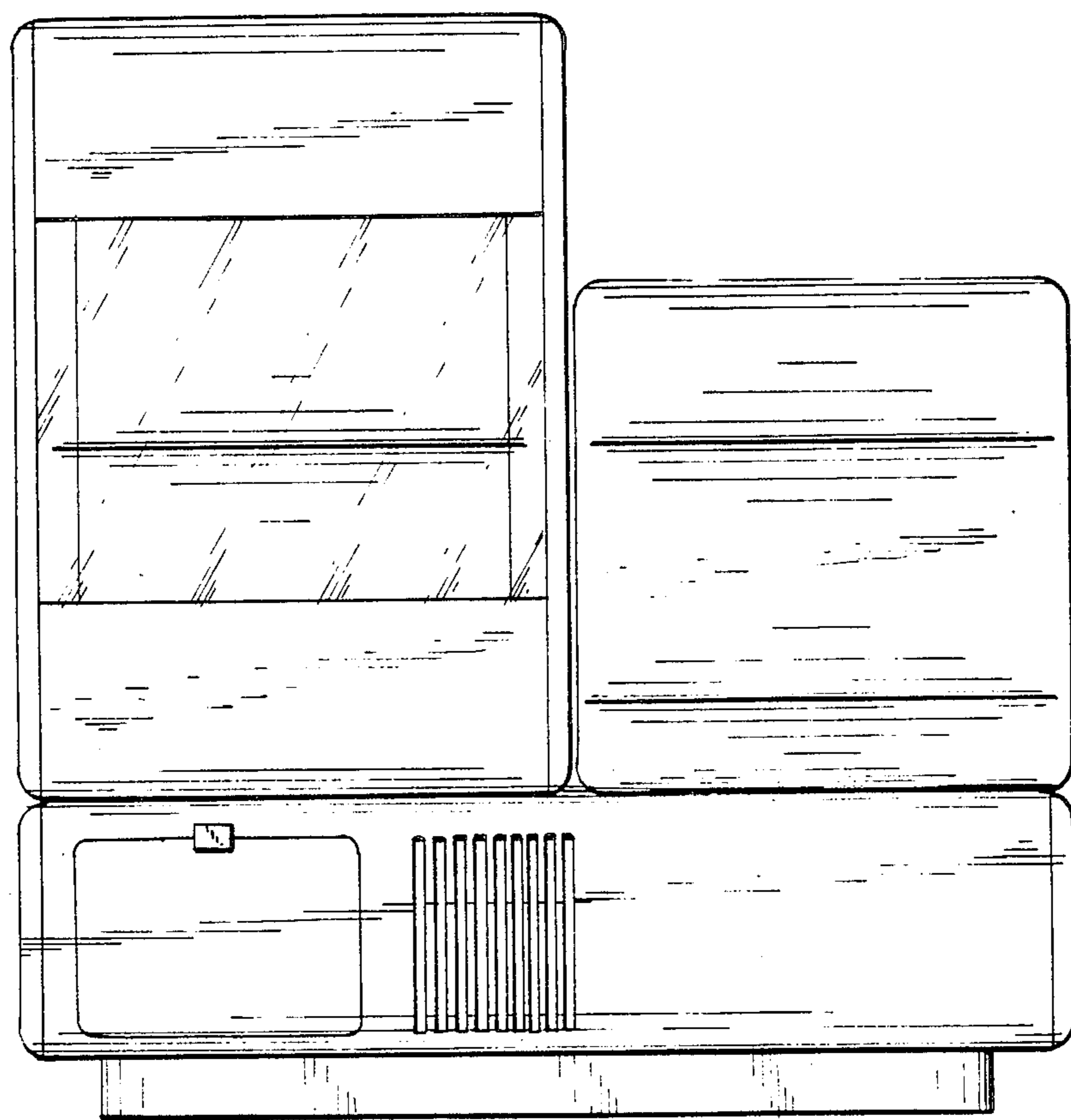


FIG. 5

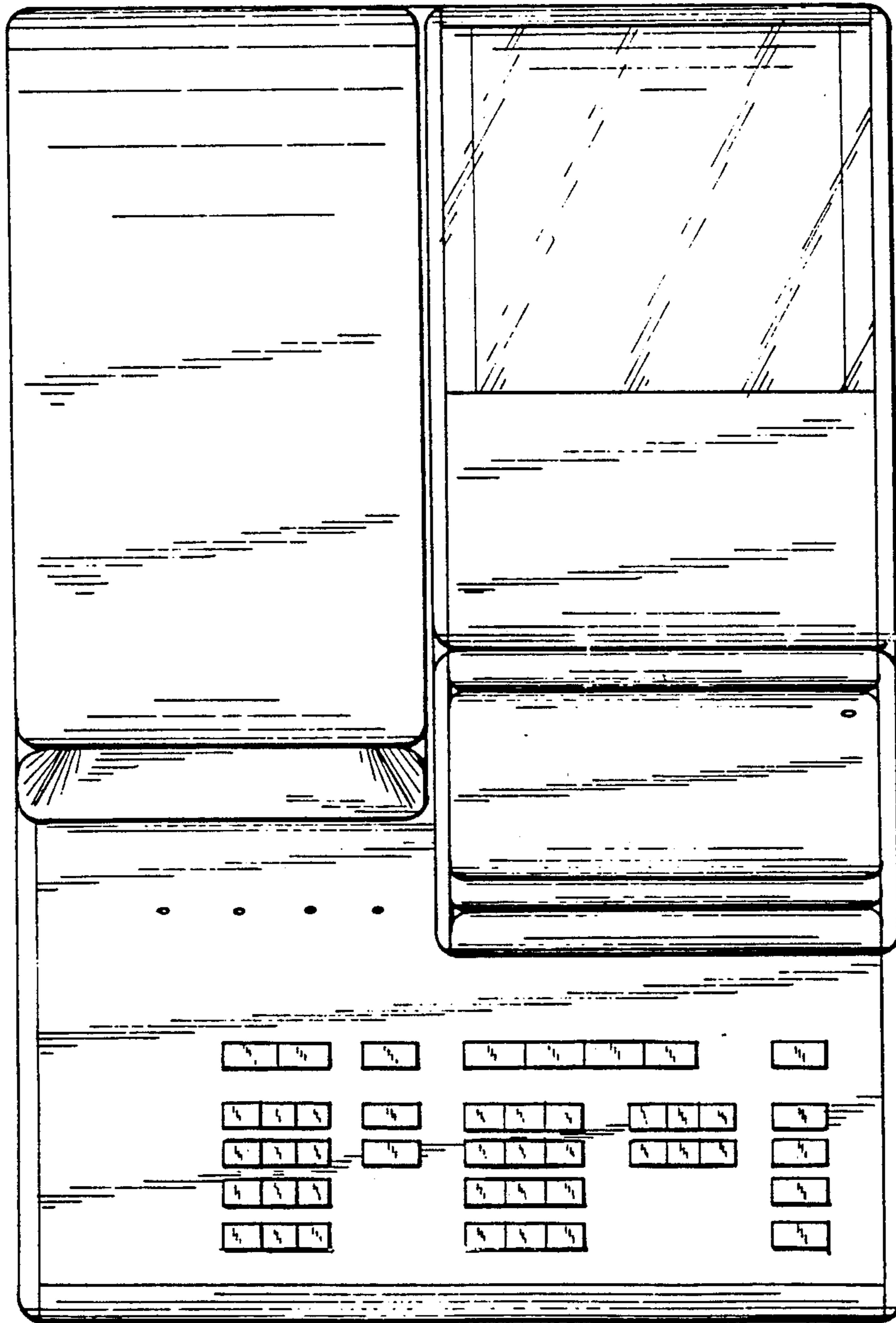


FIG. 6

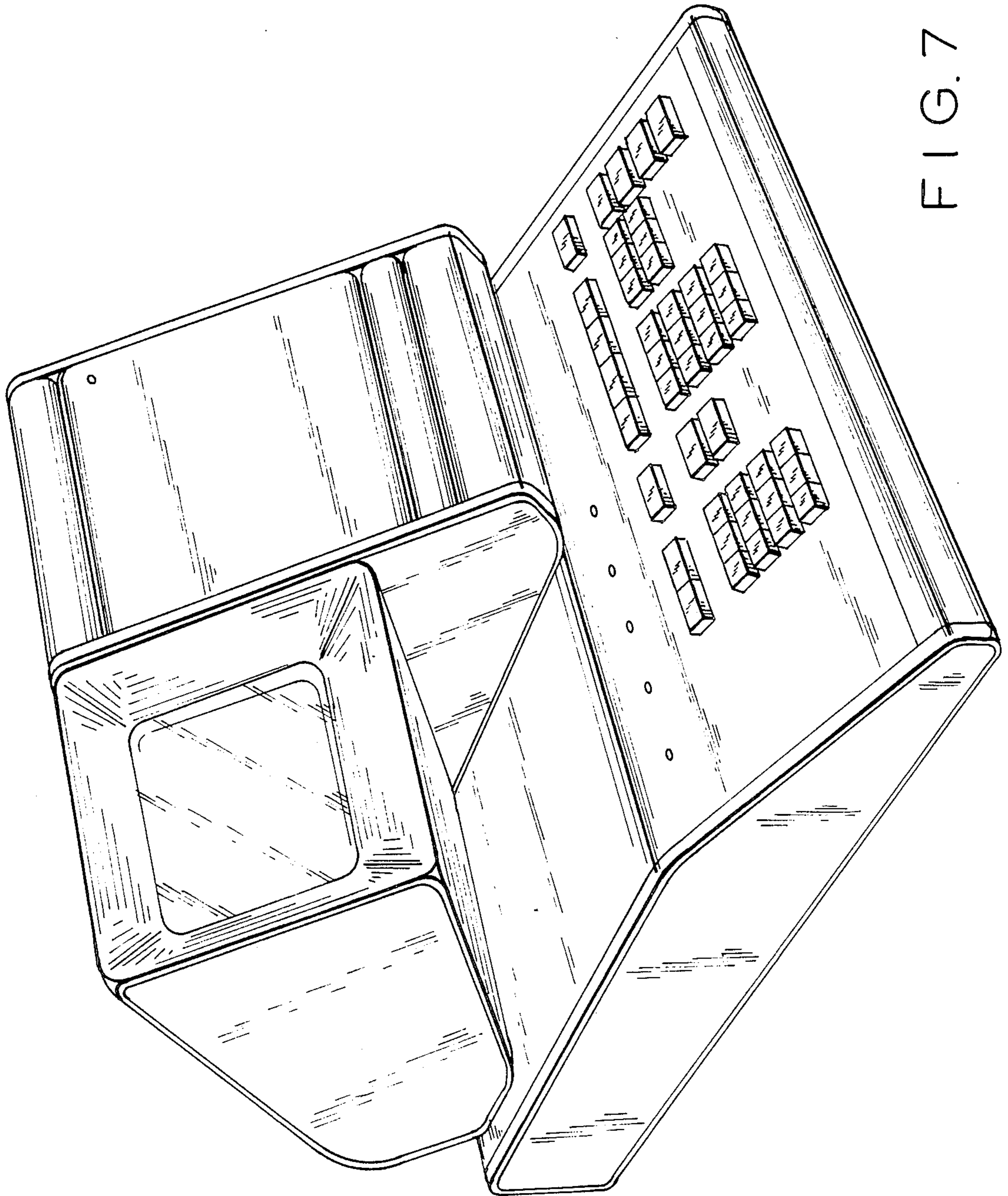


FIG. 7