

[54] COMPUTERIZED TV VIDEO SYSTEM

[76] Inventors: Wanda Clophus; Russell Clophus, Jr., both of 806 Sante Fe St., Keene, Tex. 76059

[\*\*] Term: 14 Years

[21] Appl. No.: 771,118

[22] Filed: Aug. 30, 1985

[52] U.S. Cl. .... D14/79; D14/82

[58] Field of Search ..... D14/77, 79-85, D14/99, 113; 358/254, 255; 312/7.2

[56] References Cited

U.S. PATENT DOCUMENTS

- D. 111,598 10/1938 Fuller .
- D. 178,933 10/1956 Rauchman .
- D. 187,718 4/1960 Mason .
- D. 190,600 6/1961 Welbaum .
- D. 191,639 10/1961 Freimann .
- D. 202,296 9/1965 Vogt .
- D. 229,509 12/1973 Yanagisawa .
- D. 266,502 10/1982 Heijnen .
- D. 275,953 10/1984 Boldt et al. .... D14/82
- D. 276,522 11/1984 Inoue ..... D14/80
- D. 277,482 2/1985 Matsuda et al. .... D14/79 X

OTHER PUBLICATIONS

Merchandising, Jun. 1977, p. 85, Model J2542E.  
 Video Review, Jul. 1984, p. 104, top left.  
 Video Review, Sep. 1984, p. 64, top left, Model RS5260AS.  
 Video Review, Oct. 1984, p. 65, bottom right, Model 5378.

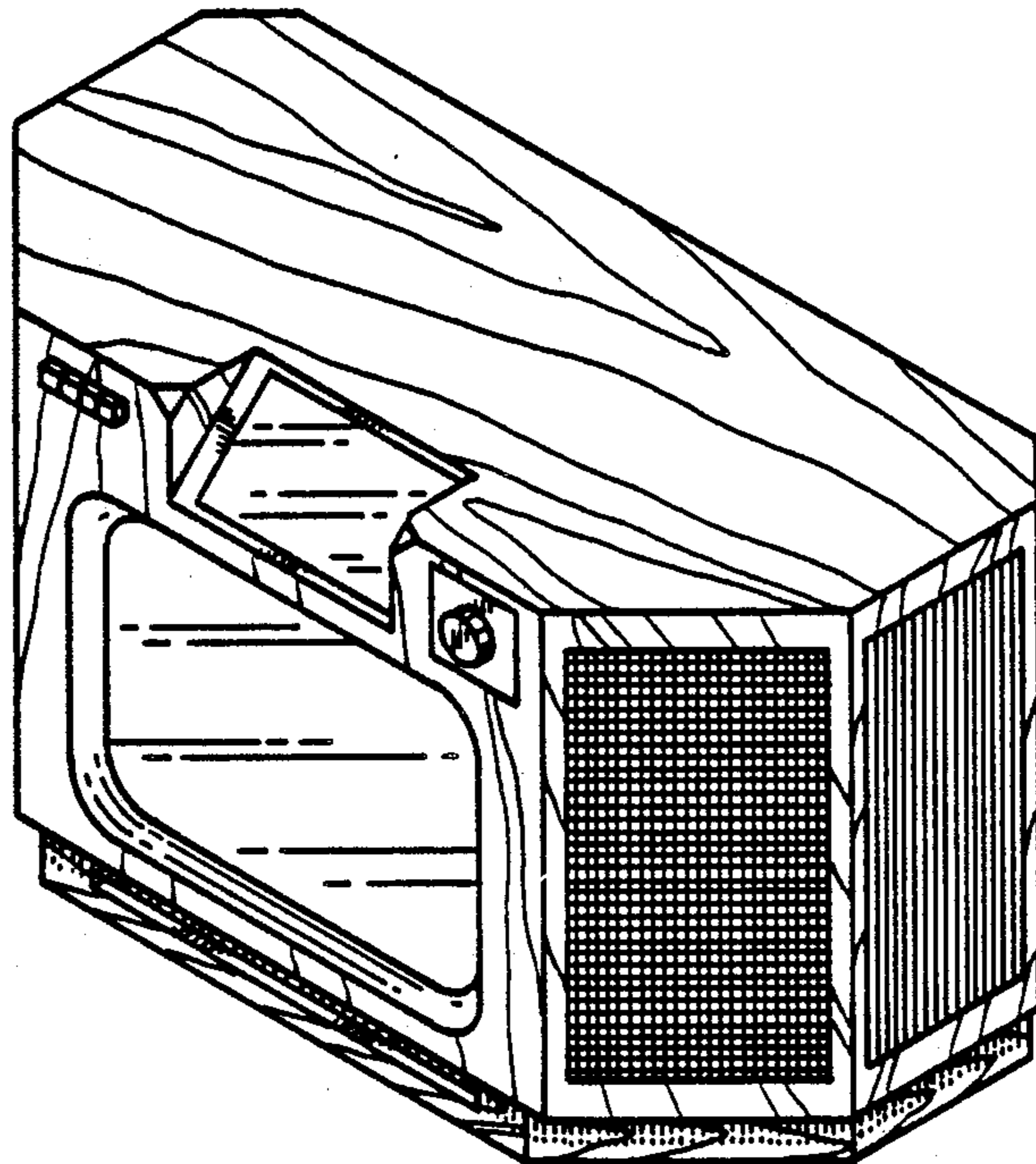
Primary Examiner—Bernard Ansher  
 Assistant Examiner—Theodore M. Shooman  
 Attorney, Agent, or Firm—W. C. Tupman

[57] CLAIM

The ornamental design for a computerized TV video system, as shown and described.

DESCRIPTION

FIG. 1 is a top plan view of a computerized TV video system, showing our new design;  
 FIG. 2 is a bottom plan view thereof;  
 FIG. 3 is a front elevational view thereof;  
 FIG. 4 is a right side elevational view thereof, the left side being a mirror image; and,  
 FIG. 5 is a top, front and right side isometric view thereof.



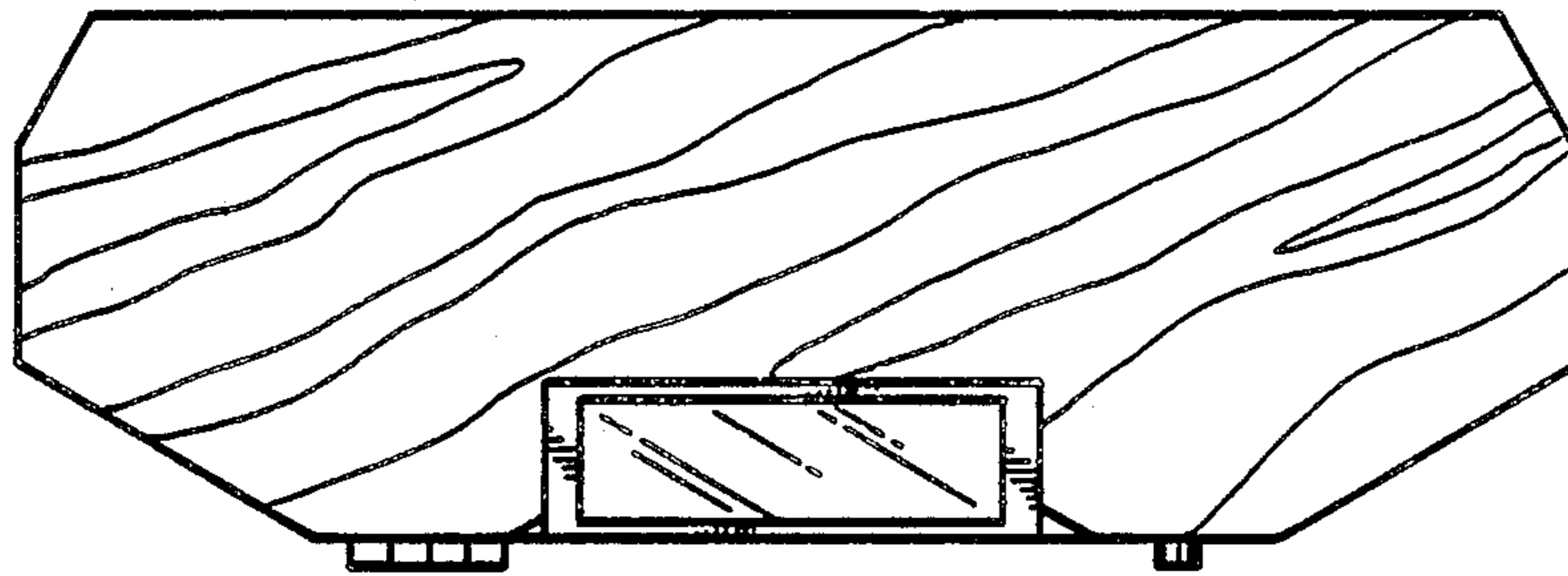


Fig. 1

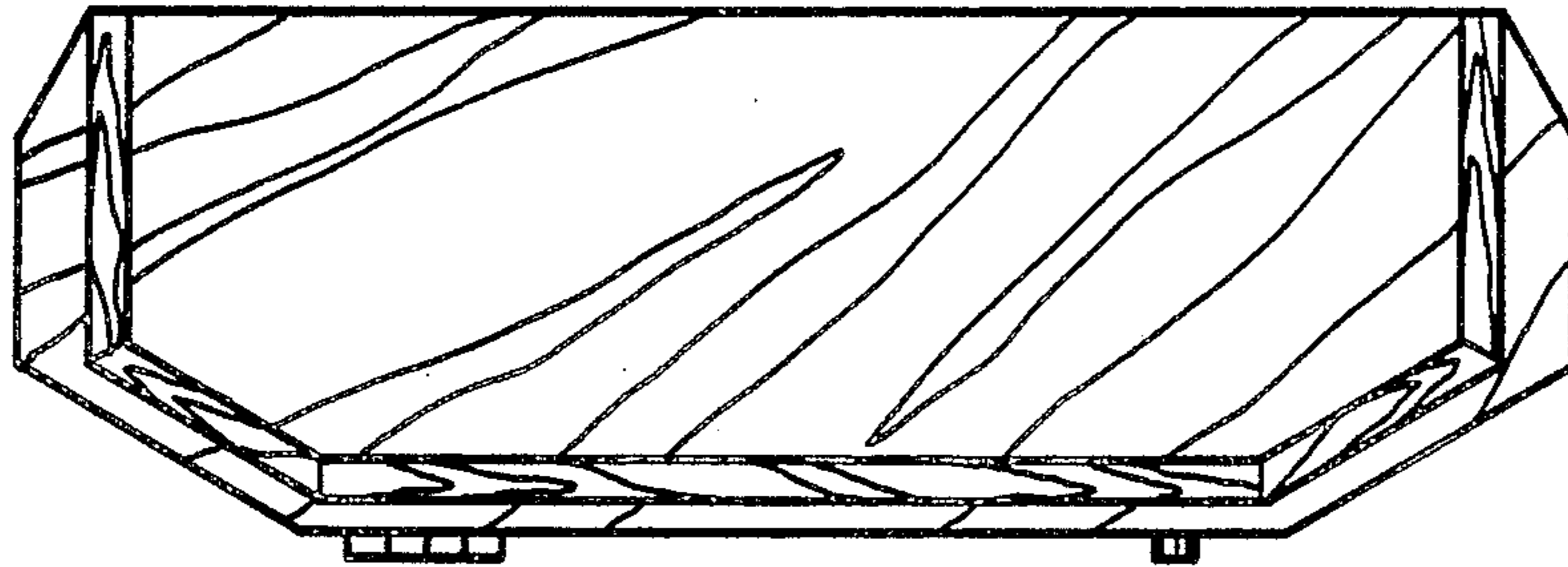


Fig. 2

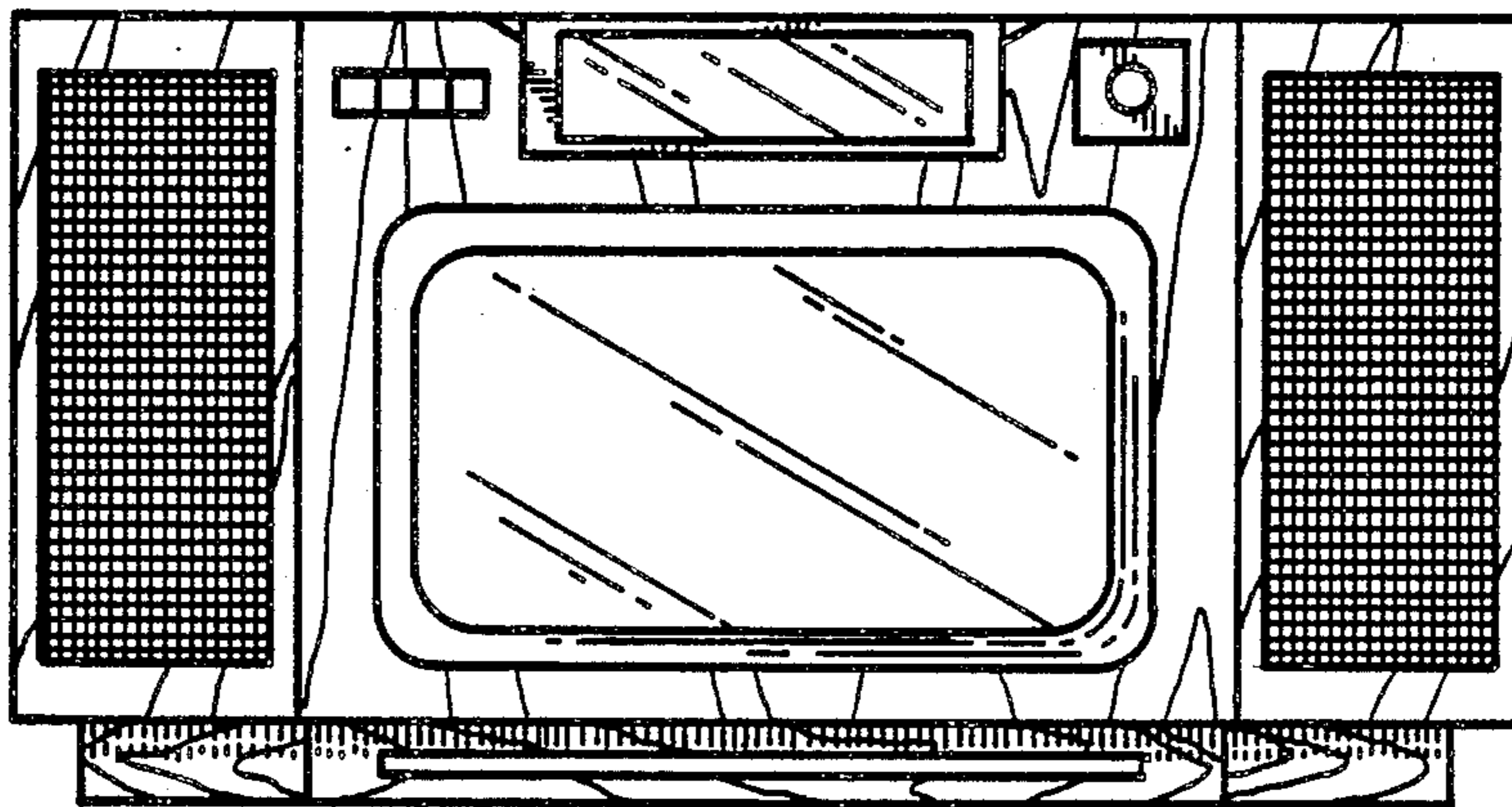
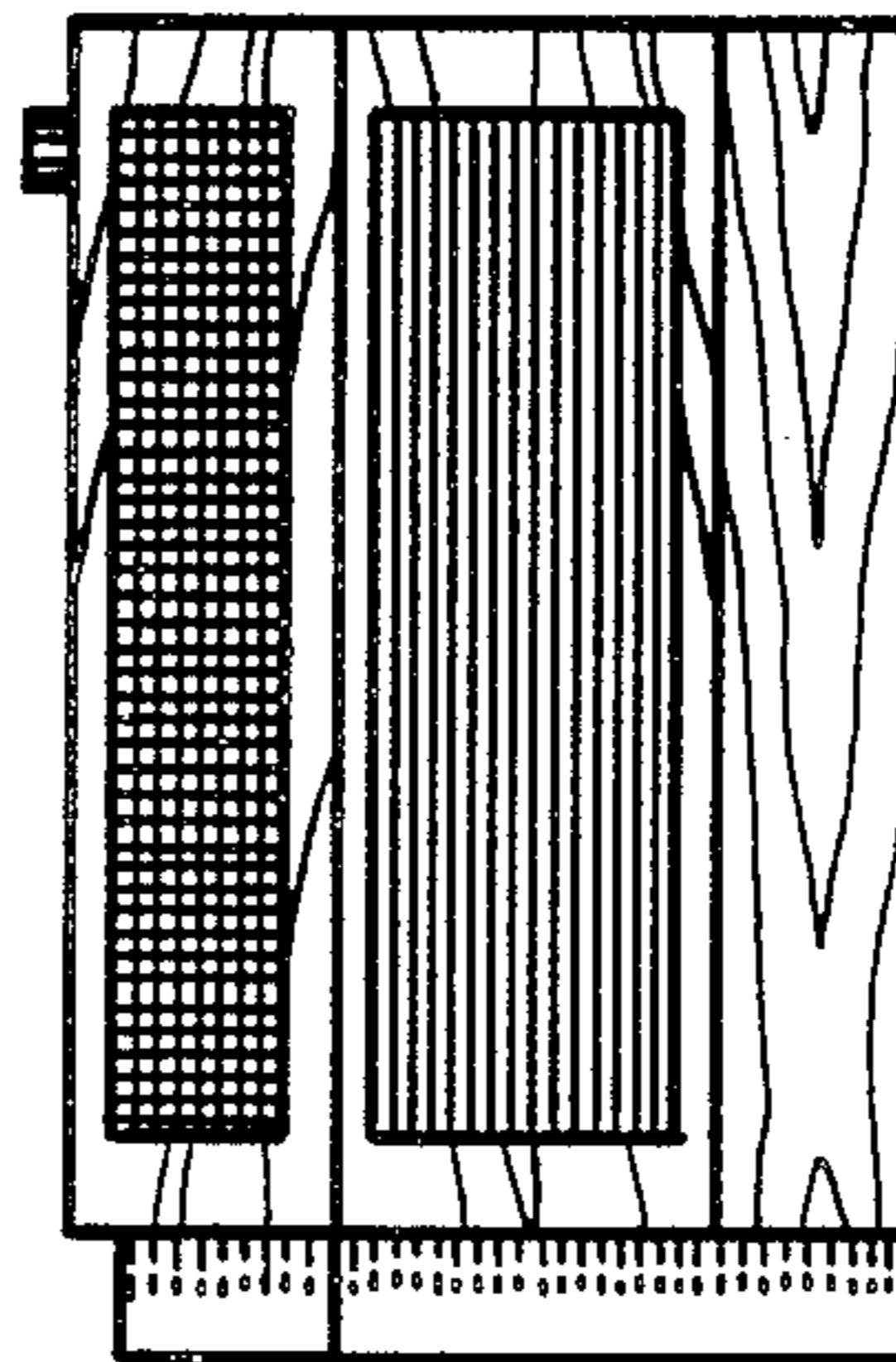


Fig. 3

Fig. 4



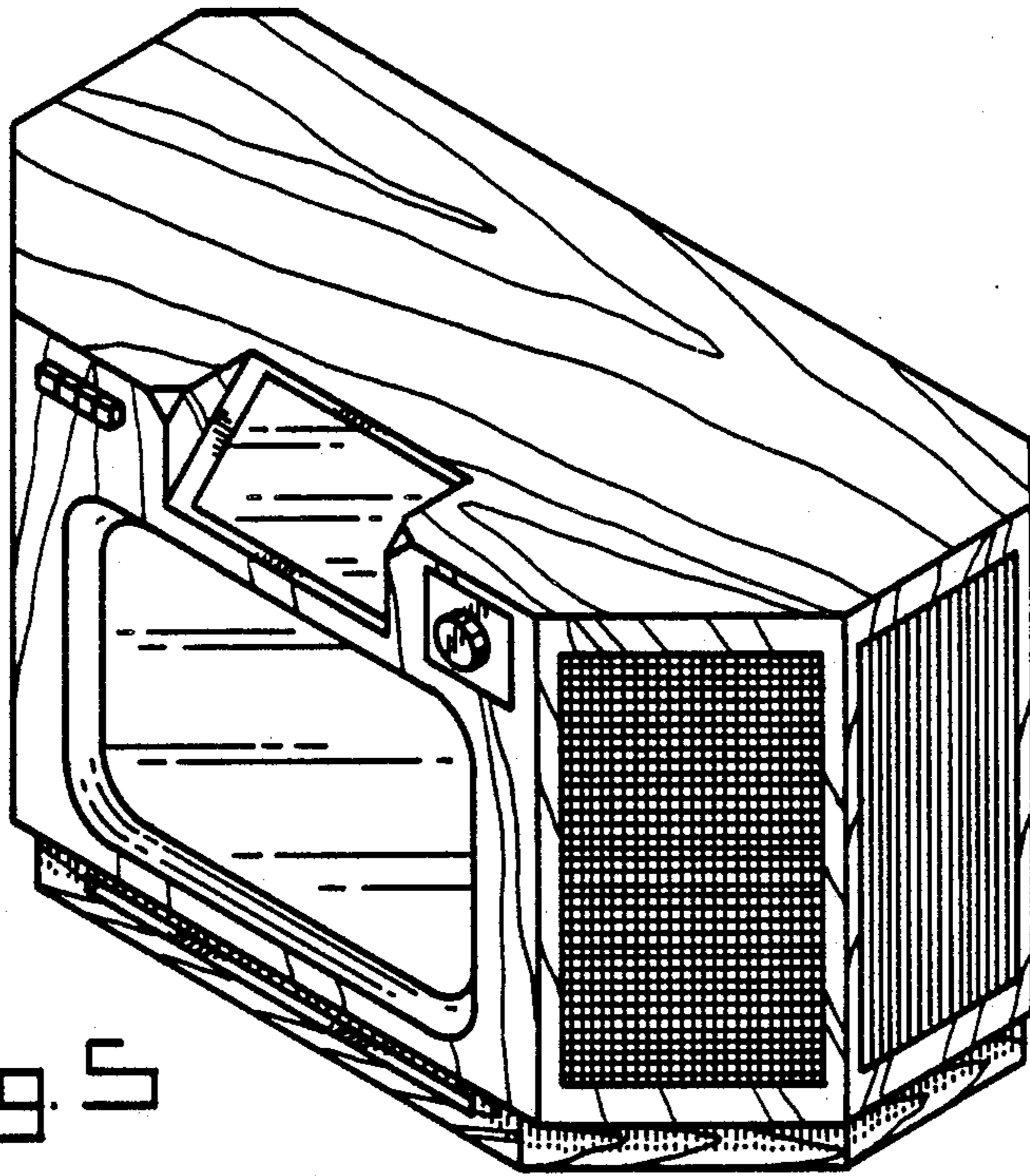


Fig. 5