

[54] BATTERY FOR A PORTABLE TWO-WAY RADIO

[75] Inventors: William J. Scheid; Bruce A. Claxton, both of Coral Springs, Fla.

[73] Assignee: Motorola, Inc., Schaumburg, Ill.

[**] Term: 14 Years

[21] Appl. No.: 32,199

[22] Filed: Mar. 30, 1987

Related U.S. Application Data

[62] Division of Ser. No. 664,286, Oct. 23, 1984, Pat. No. Des. 290,842.

[52] U.S. Cl. D13/8; D14/76

[58] Field of Search 429/98, 99, 100, 121, 429/15 Q; 320/2-5; 307/150; 455/347, 348; D13/4, 5, 8, 10, 11; D14/68, 76

[56] References Cited

U.S. PATENT DOCUMENTS

D. 237,893	12/1975	Wennerström	D14/68
D. 240,433	7/1976	Krapowicz	D13/8 X
D. 280,507	9/1985	Claxton	D14/68
D. 280,717	9/1985	Scheid et al.	D13/8
3,728,664	4/1973	Hurst	320/2 X
4,199,204	4/1980	Hodsdon et al.	D14/68 X
4,515,872	5/1985	Okano	429/99

Primary Examiner—Susan J. Lucas
Attorney, Agent, or Firm—Martin J. McKinley; Joseph T. Downey; Daniel K. Nichols

[57] CLAIM

The ornamental design for the battery for a portable two-way radio, as shown and described.

DESCRIPTION

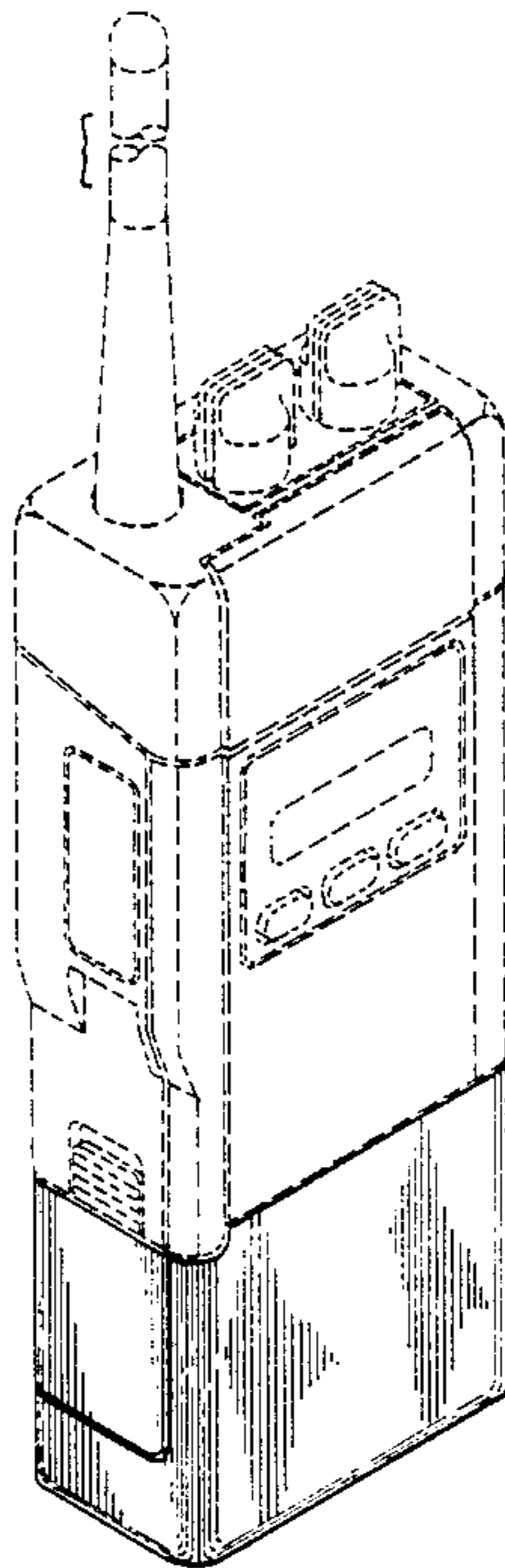
FIG. 1 is a front and left side perspective view of a battery for a portable two way radio showing our new design;

FIG. 2 is a right side elevational view thereof;

FIG. 3 is a rear elevational view thereof; and

FIG. 4 is a bottom plan view thereof.

The radio is shown in broken lines for illustrative purposes only, and forms no part of the claimed design.



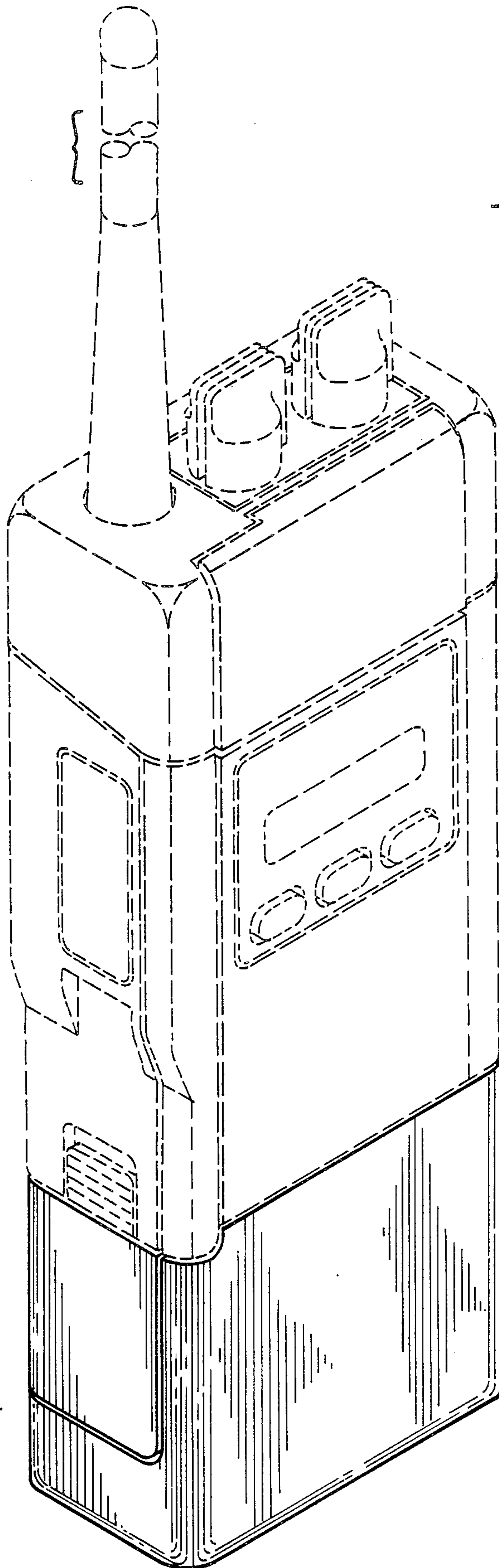


FIG. 1

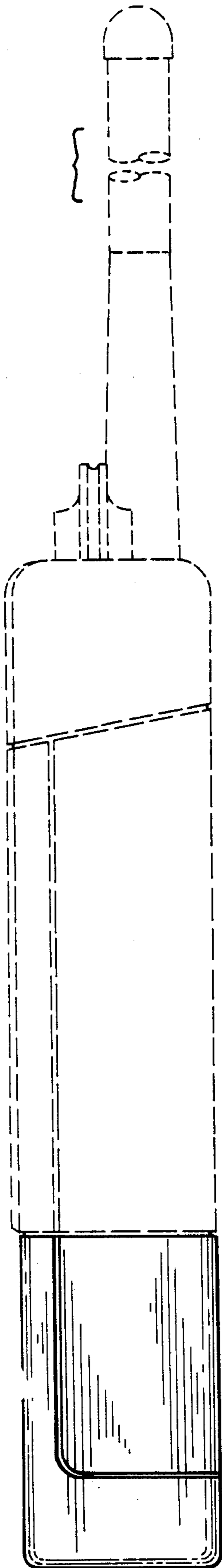


FIG. 2

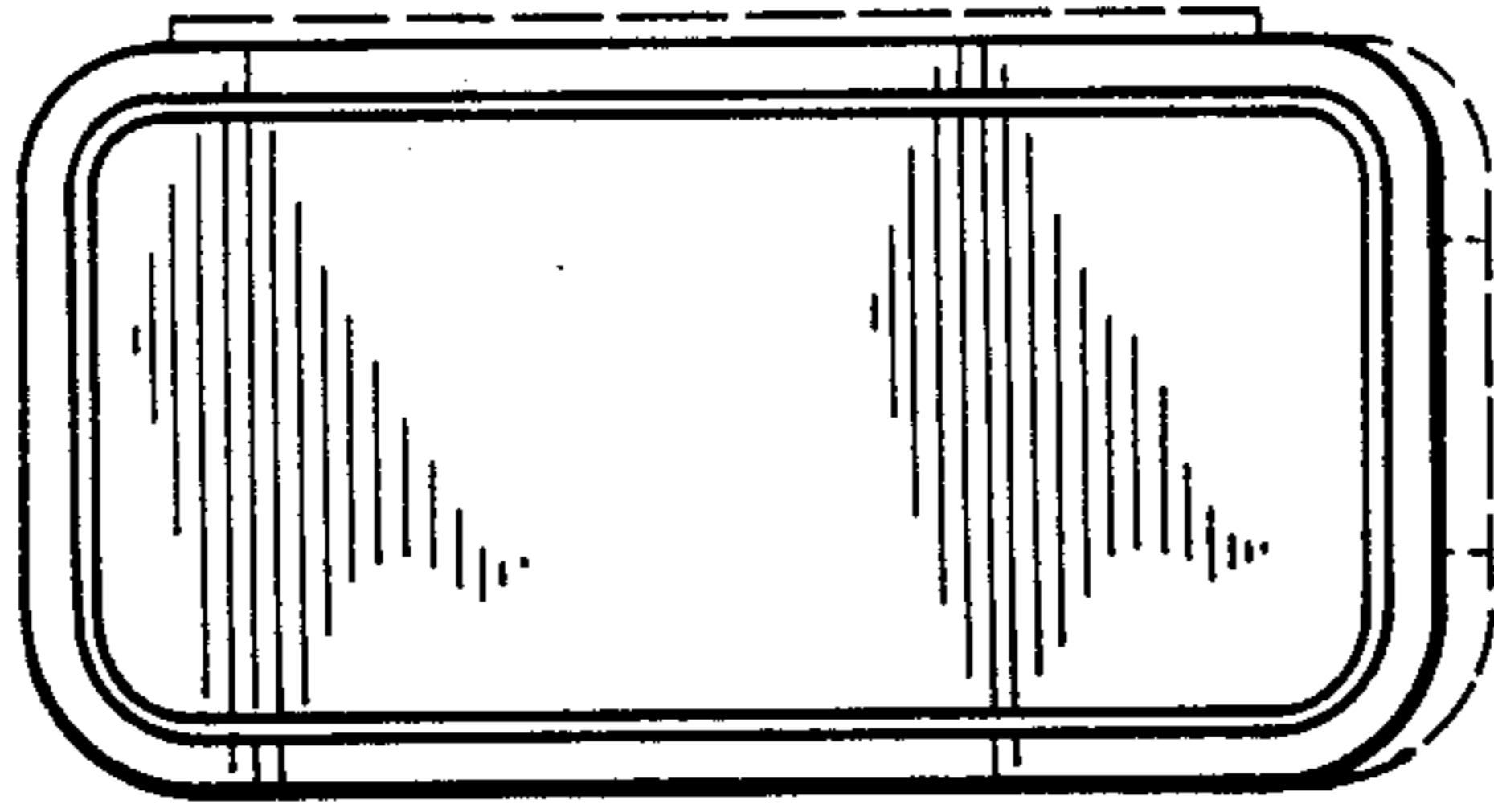


FIG. 4

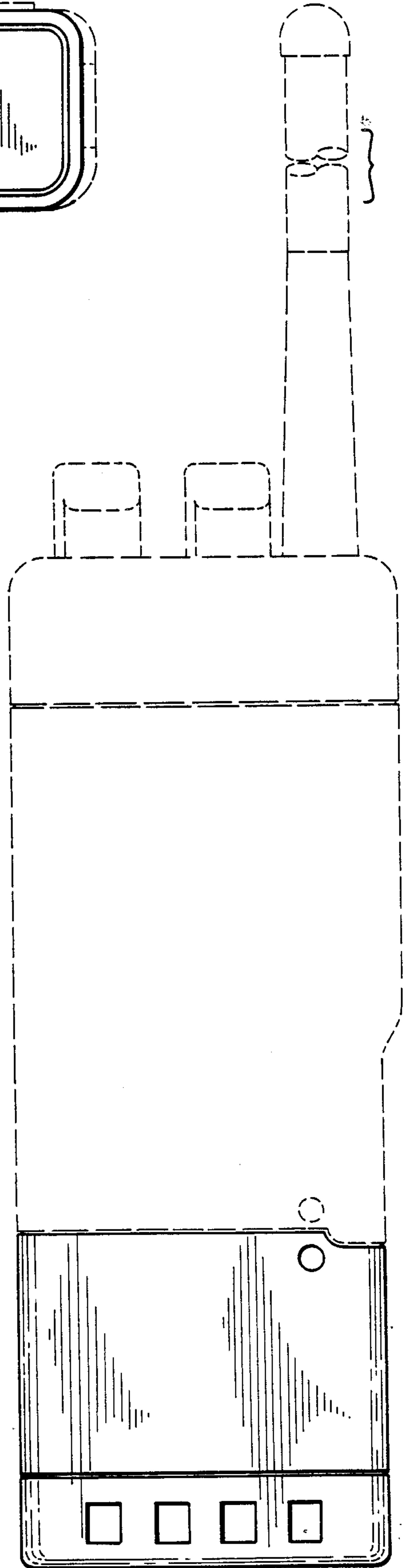


FIG. 3